



US00D739662S

(12) **United States Design Patent**
Webb

(10) **Patent No.:** **US D739,662 S**

(45) **Date of Patent:** **** Sep. 29, 2015**

(54) **FURNITURE MODULES**

(71) Applicant: **Roger Webb Associates Ltd**, London
(GB)

(72) Inventor: **Roger Webb**, London (GB)

(73) Assignee: **Roger Webb Associates Ltd**, London
(GB)

(**) Term: **14 Years**

(21) Appl. No.: **29/475,308**

(22) Filed: **Dec. 2, 2013**

(51) **LOC (10) Cl.** **06-01**

(52) **U.S. Cl.**
USPC **D6/334**

(58) **Field of Classification Search**
USPC 22/334–338, 349, 355, 361, 368–370,
22/376, 379–381, 716, 716.1, 716.2, 340,
22/354, 377; 297/16.1, 42, 94, 135, 175,
297/232, 233, 350, 351, 445.1, 448.1,
297/448.2, 451.9; 5/12.1, 12.2; D21/809
See application file for complete search history.

(56) **References Cited**

U.S. PATENT DOCUMENTS

D132,793 S *	6/1942	Reiss	D6/364
D239,671 S *	4/1976	Offredi	D6/371
D244,894 S *	7/1977	Tillberg	D6/381
D261,953 S *	11/1981	Aronowitz et al.	D6/364
D261,954 S *	11/1981	Aronowitz et al.	D6/364
D261,955 S *	11/1981	Aronowitz et al.	D6/364
D262,163 S *	12/1981	Aronowitz et al.	D6/364
D262,164 S *	12/1981	Aronowitz et al.	D6/364
D262,166 S *	12/1981	Aronowitz et al.	D6/378
D262,421 S *	12/1981	Aronowitz et al.	D6/364
D264,027 S *	4/1982	Aronowitz et al.	D6/364
D284,142 S *	6/1986	Raftery	D6/334
D336,377 S *	6/1993	Gibson	D6/334
D384,827 S *	10/1997	Hutton	D6/334
D433,825 S *	11/2000	Piretti	D6/334
D545,070 S *	6/2007	Hutton	D6/334
7,287,816 B1 *	10/2007	Karl	297/452.17
D577,211 S *	9/2008	Natuzzi	D6/334

D586,590 S *	2/2009	Schweikarth et al.	D6/716
D624,328 S *	9/2010	Grandin et al.	D6/381
D639,083 S *	6/2011	Martin	D6/381
D657,155 S *	4/2012	Grandin et al.	D6/381
D657,964 S *	4/2012	Amini	D6/334
D662,733 S *	7/2012	Metcalf et al.	D6/717
D668,892 S *	10/2012	Metcalf et al.	D6/717
D699,460 S *	2/2014	Bosman	D6/371
D717,552 S *	11/2014	Baraldi et al.	D6/334
D717,553 S *	11/2014	Baraldi et al.	D6/334

* cited by examiner

Primary Examiner — Sandra Snapp

(74) *Attorney, Agent, or Firm* — Abelman, Frayne & Schwab

(57) **CLAIM**

The ornamental design for furniture modules, as shown and described.

DESCRIPTION

FIG. 1 is a front elevation view of a 1st embodiment of the furniture modules showing my new design;
 FIG. 2 is a left side elevation view thereof, the right side elevation view is a mirror image of the left side elevation view;
 FIG. 3 is a rear elevation view thereof;
 FIG. 4 is a top plan view thereof, the bottom plan view is not shown and is not claimed in this and in all figures in this application;
 FIG. 5 is a top, front and right side perspective view thereof;
 FIG. 6 is a top, rear and left side perspective view thereof;
 FIG. 7 is a front elevation view of a 2nd embodiment of the furniture modules showing my new design;
 FIG. 8 is a left side elevation view thereof, the right side elevation view is a mirror image of the left side elevation view;
 FIG. 9 is a rear elevation view thereof;
 FIG. 10 is a top plan view thereof;
 FIG. 11 is a top, front and right side perspective view thereof;
 FIG. 12 is a top, rear and left side perspective view thereof;
 FIG. 13 is a front elevation view of a 3rd embodiment of the furniture modules showing my new design;

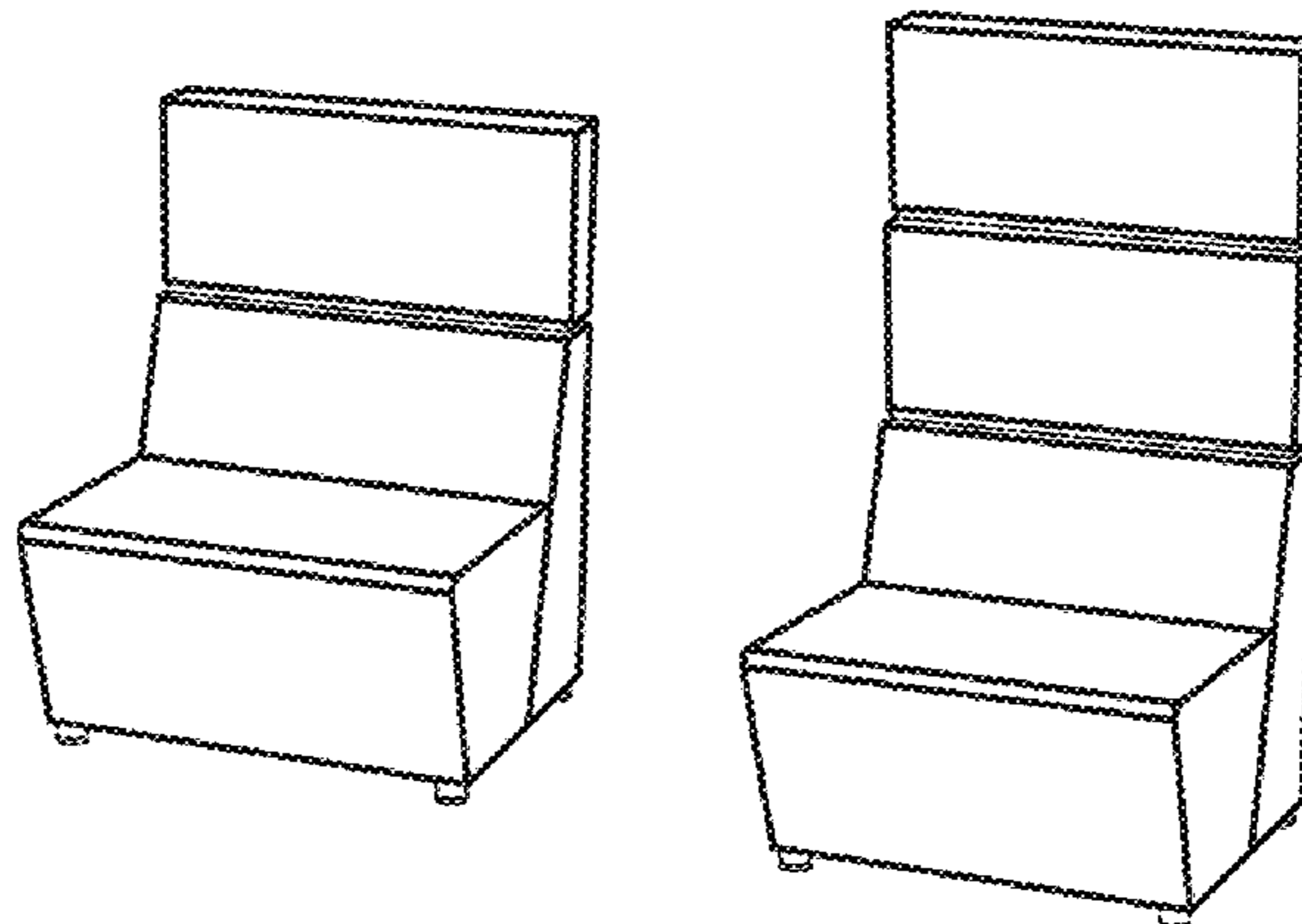


FIG. 14 is a left side elevation view thereof, the right side elevation view is a mirror image of the left side elevation view;

FIG. 15 is a rear elevation view thereof;

FIG. 16 is a top plan view thereof;

FIG. 17 is a top, front and right side perspective view thereof;

FIG. 18 is a top, rear and left side perspective view thereof;

FIG. 19 is a front elevation view of a 4th embodiment of the furniture modules showing my new design;

FIG. 20 is a left side elevation view thereof, the right side elevation view is a mirror image of the left side elevation view;

FIG. 21 is a rear elevation view thereof;

FIG. 22 is a top plan view thereof;

FIG. 23 is a top, front and right side perspective view thereof;

FIG. 24 is a top, rear and left side perspective view thereof;

FIG. 25 is a front elevation view of a 5th embodiment of the furniture modules showing my new design;

FIG. 26 is a left side elevation view thereof, the right side elevation view is a mirror image of the left side elevation view;

FIG. 27 is a rear elevation view thereof;

FIG. 28 is a top plan view thereof;

FIG. 29 is a top, front and right side perspective view thereof;

FIG. 30 is a top, rear and left side perspective view thereof;

FIG. 31 is a front elevation view of a 6th embodiment of the furniture modules showing my new design;

FIG. 32 is a left side elevation view thereof, the right side elevation view is a mirror image of the left side elevation view;

FIG. 33 is a rear elevation view thereof;

FIG. 34 is a top plan view thereof;

FIG. 35 is a top, front and right side perspective view thereof; and,

FIG. 36 is a top, rear and left side perspective view thereof.

In all the above figures the bottom view is not shown and is not claimed, and the small feet elements at the bottom in each of the figures are deemed to be background and are not claimed and are shown in dashed line where possible.

1 Claim, 6 Drawing Sheets

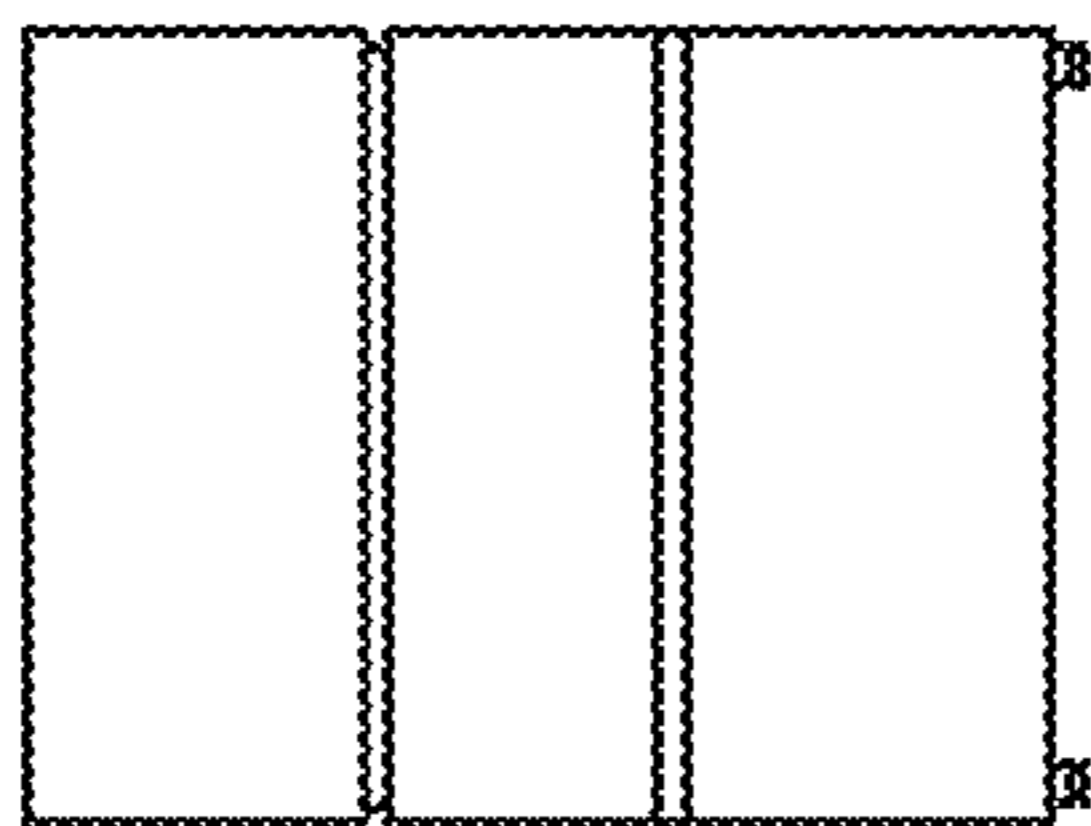


FIG. 1

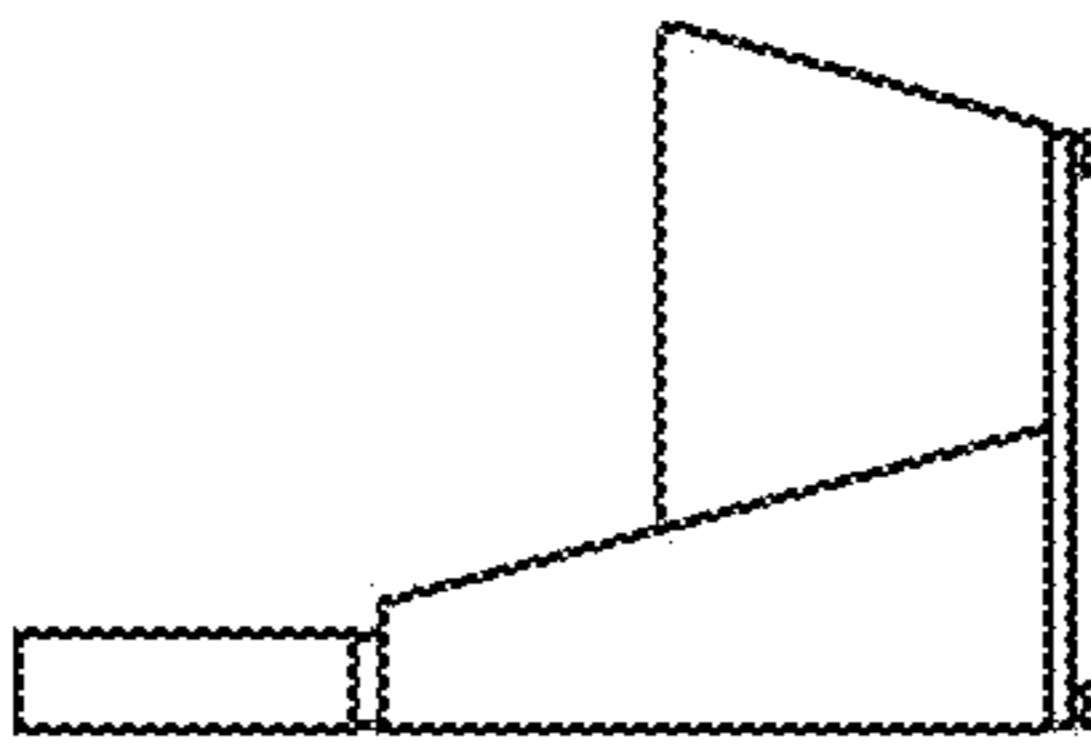


FIG. 2

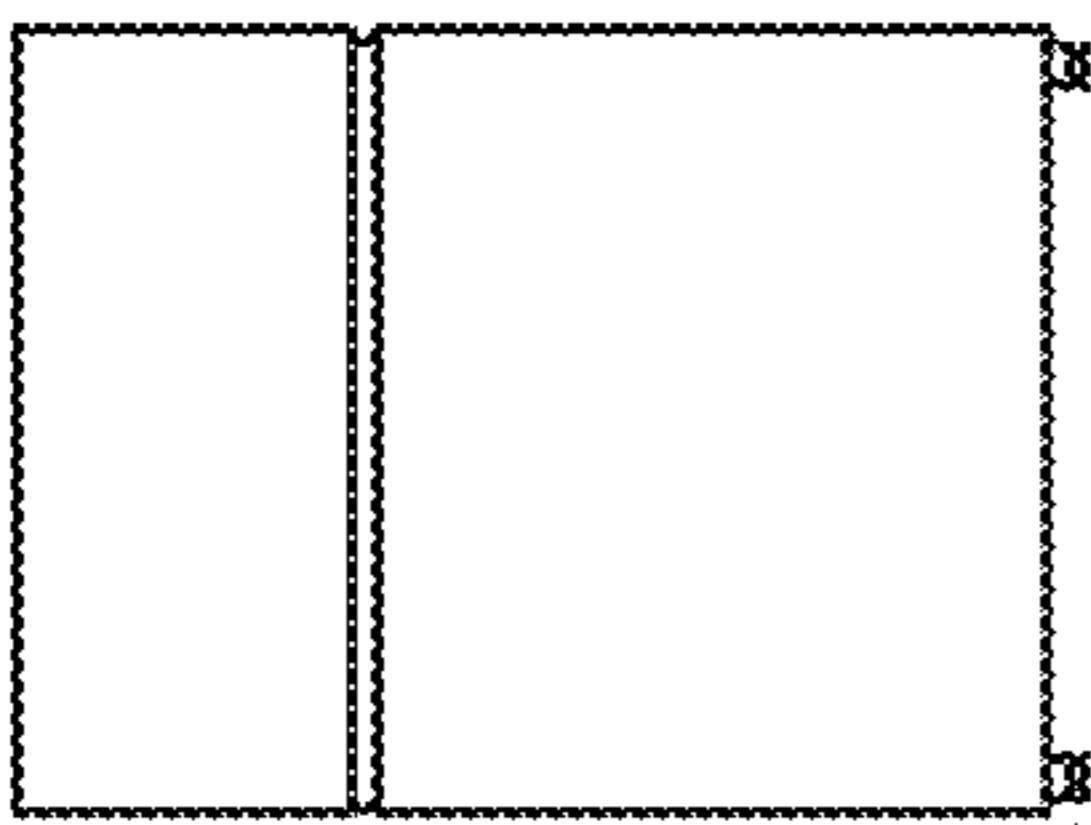


FIG. 3

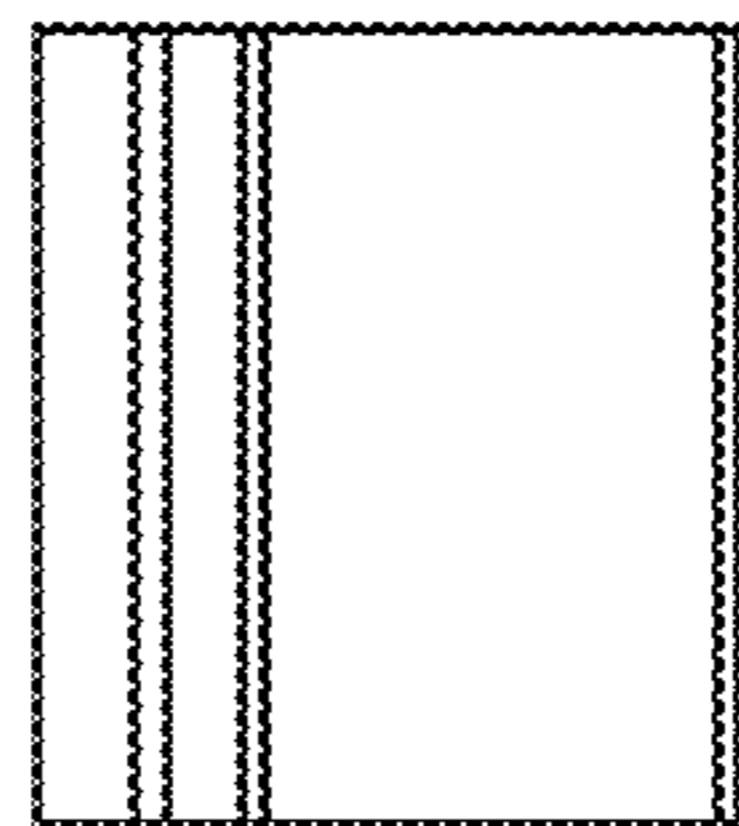


FIG. 4

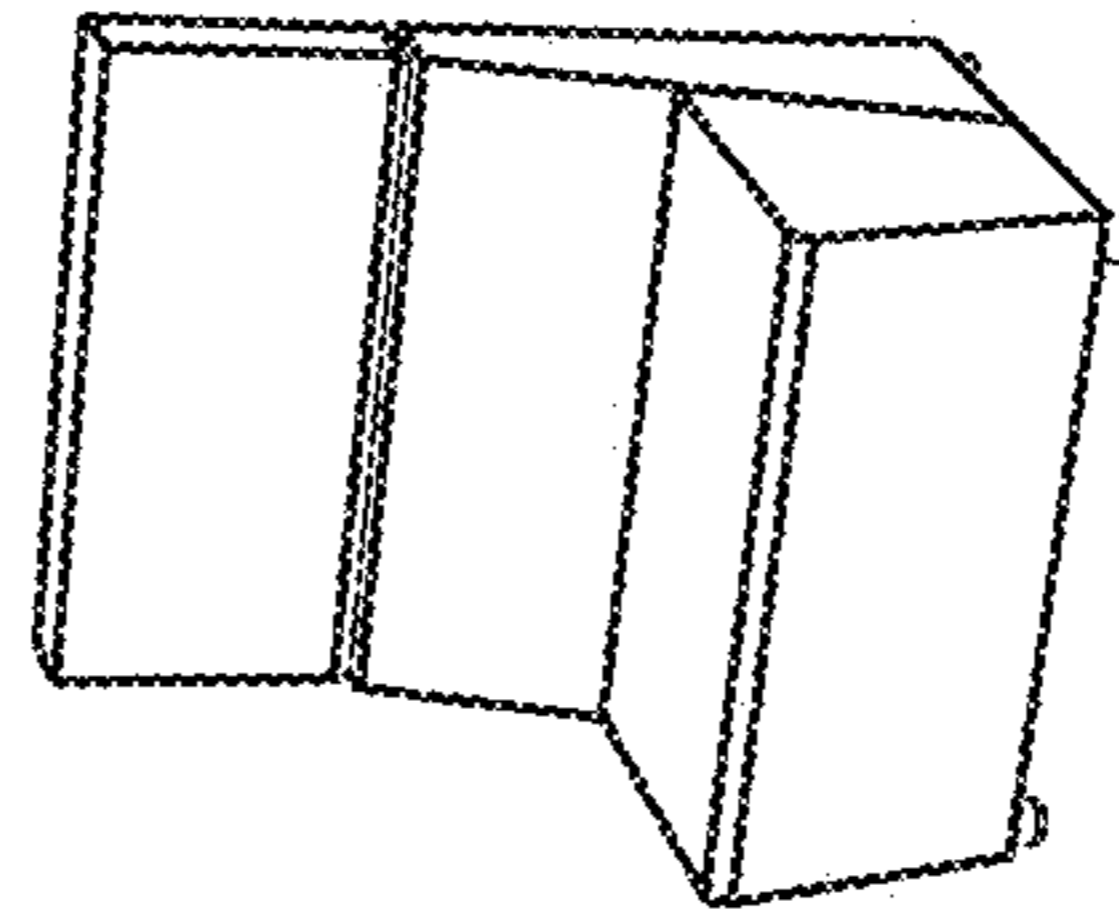


FIG. 5

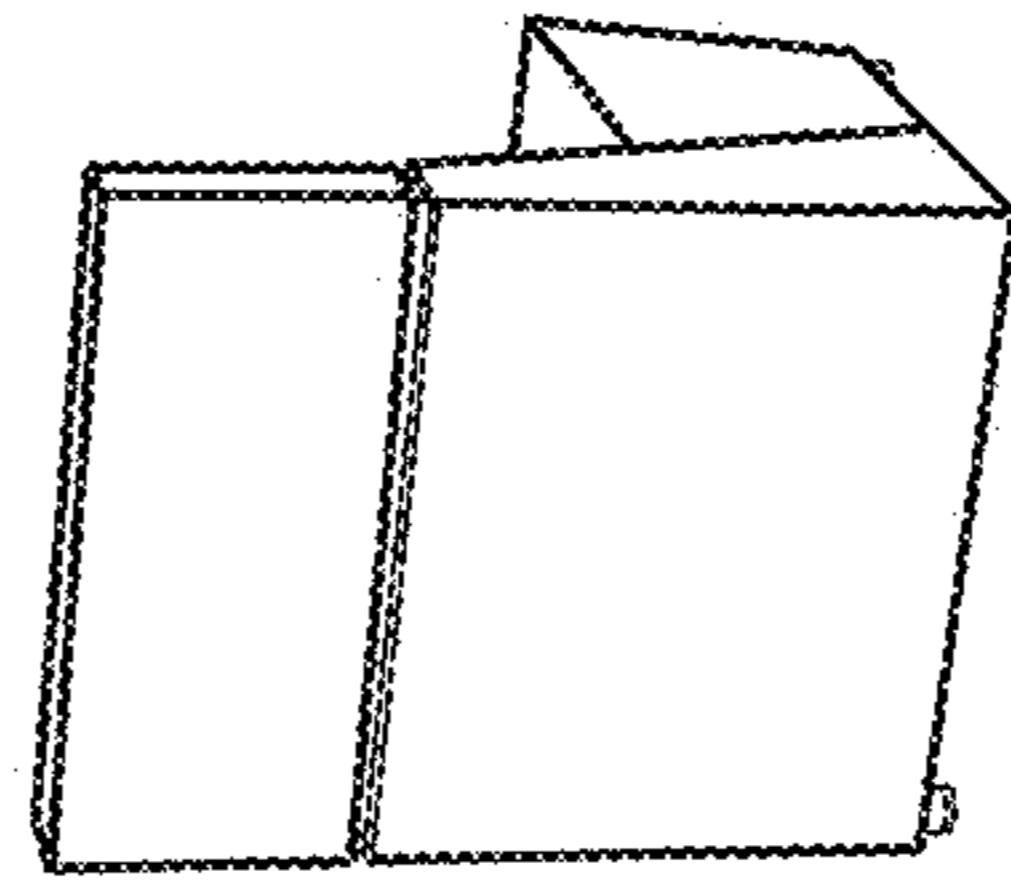


FIG. 6

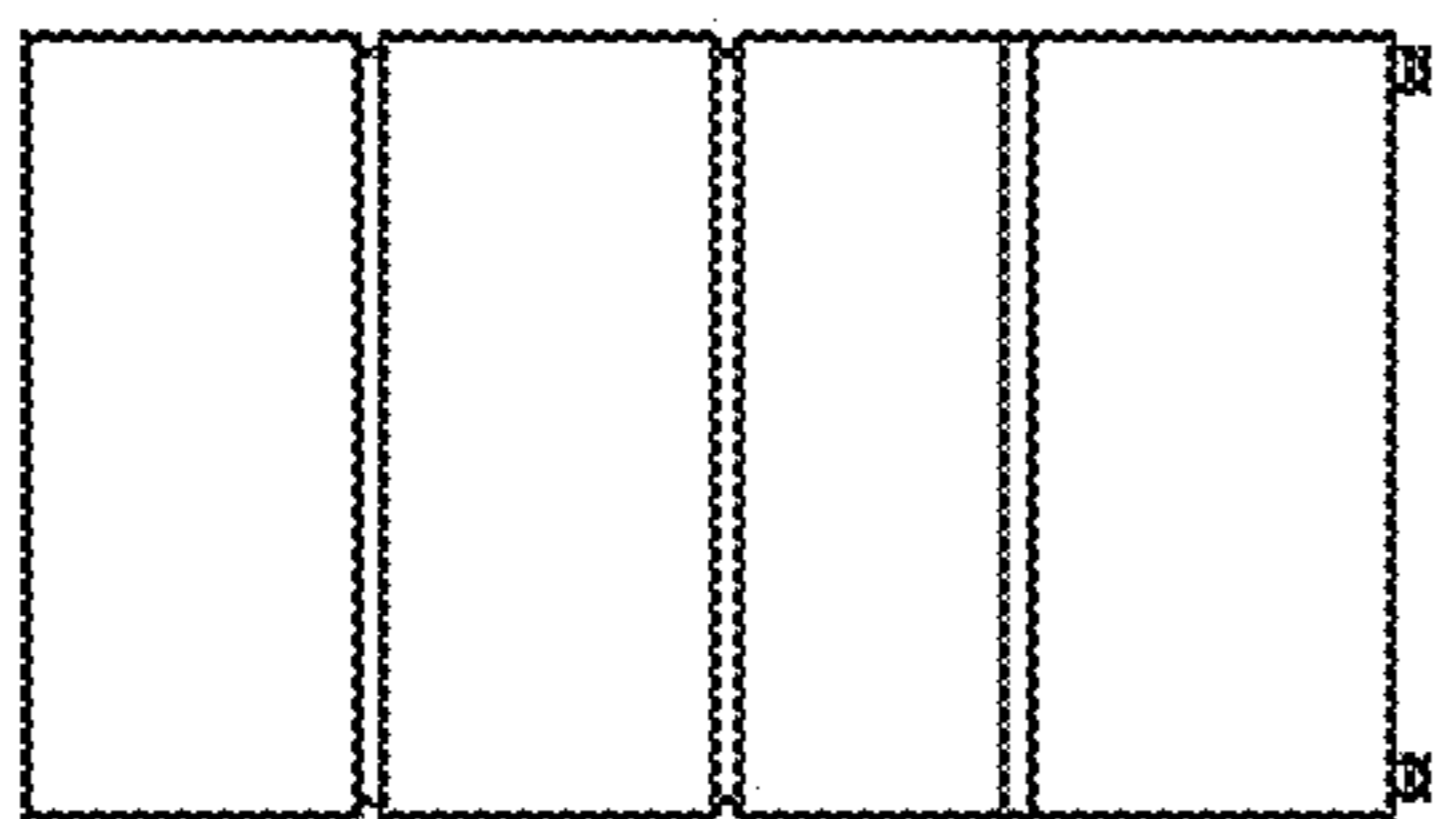


FIG. 7

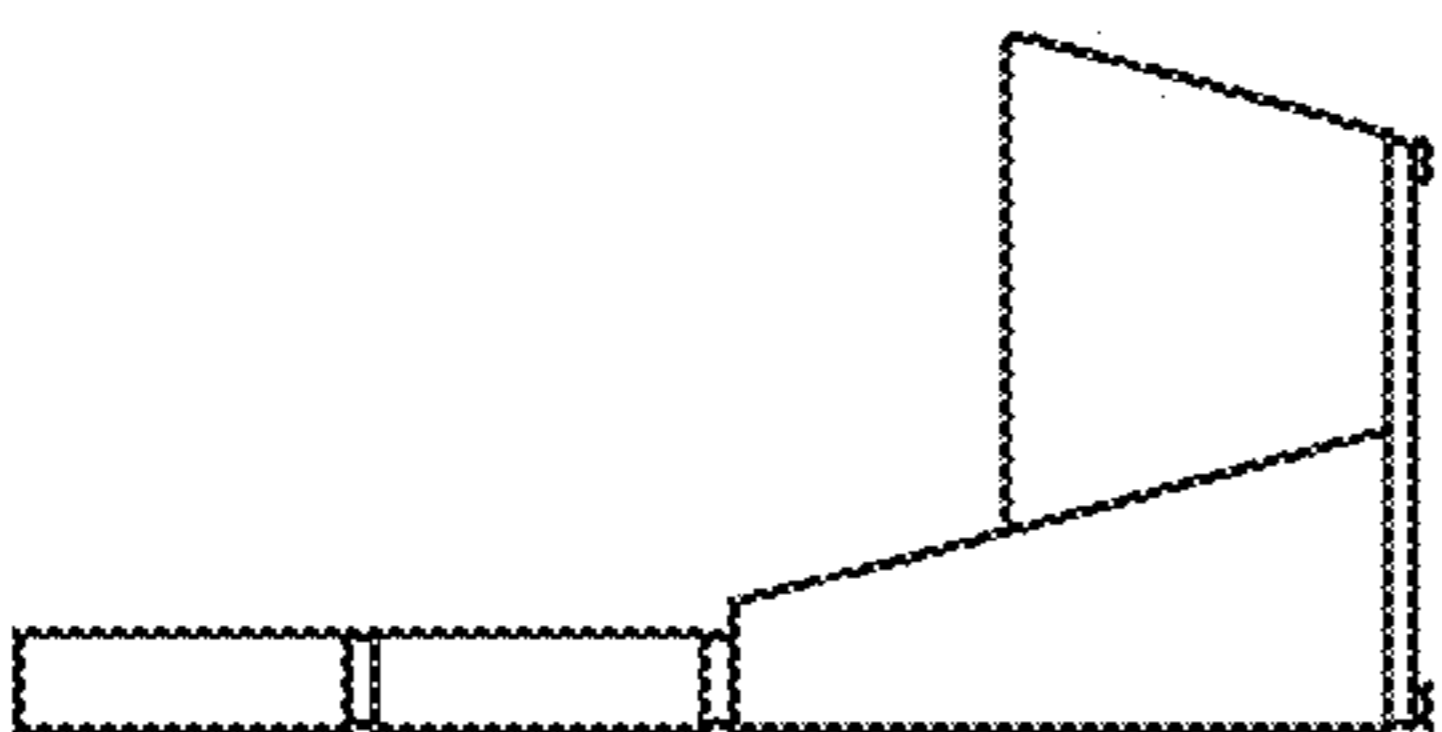


FIG. 8

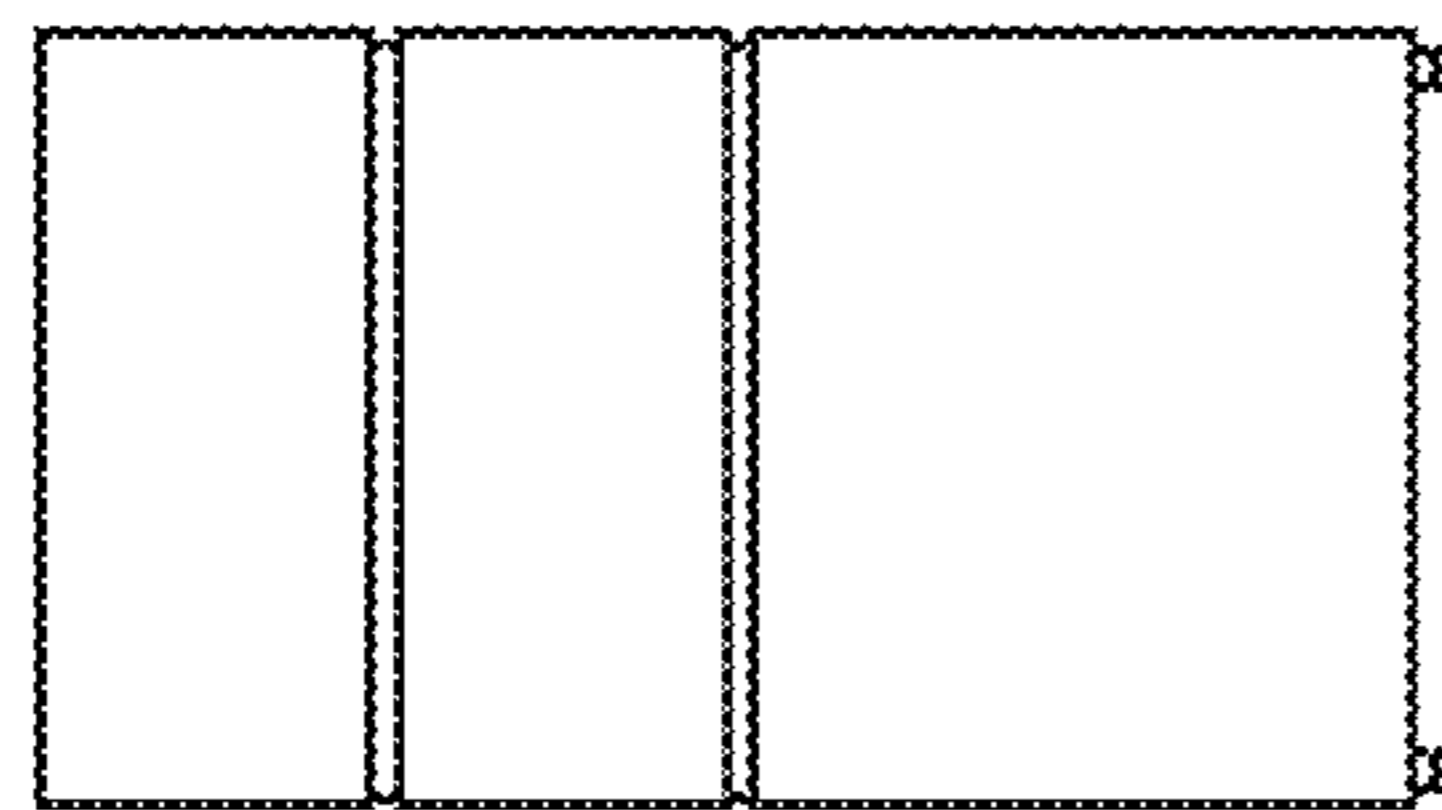


FIG. 9

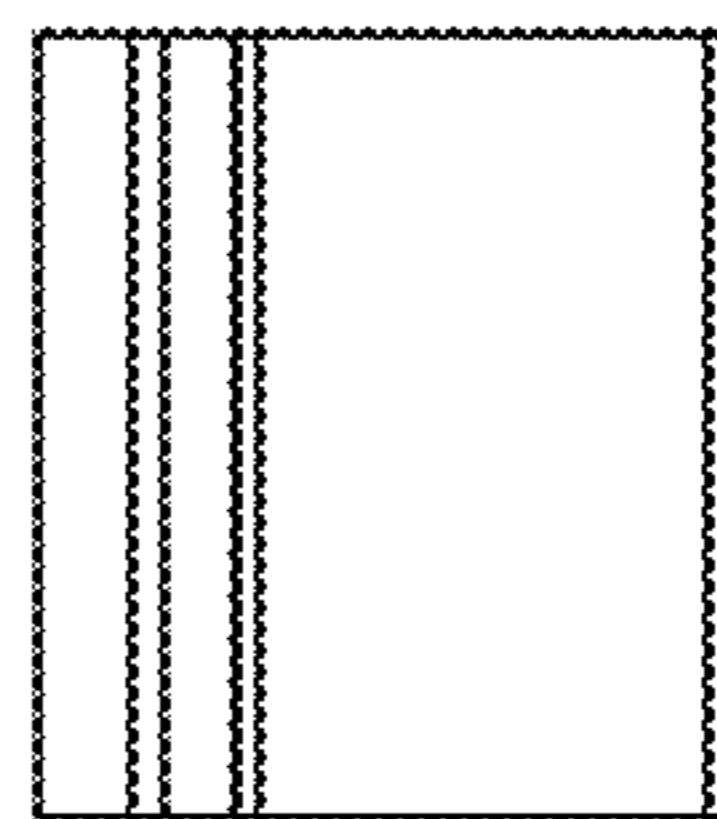


FIG. 10

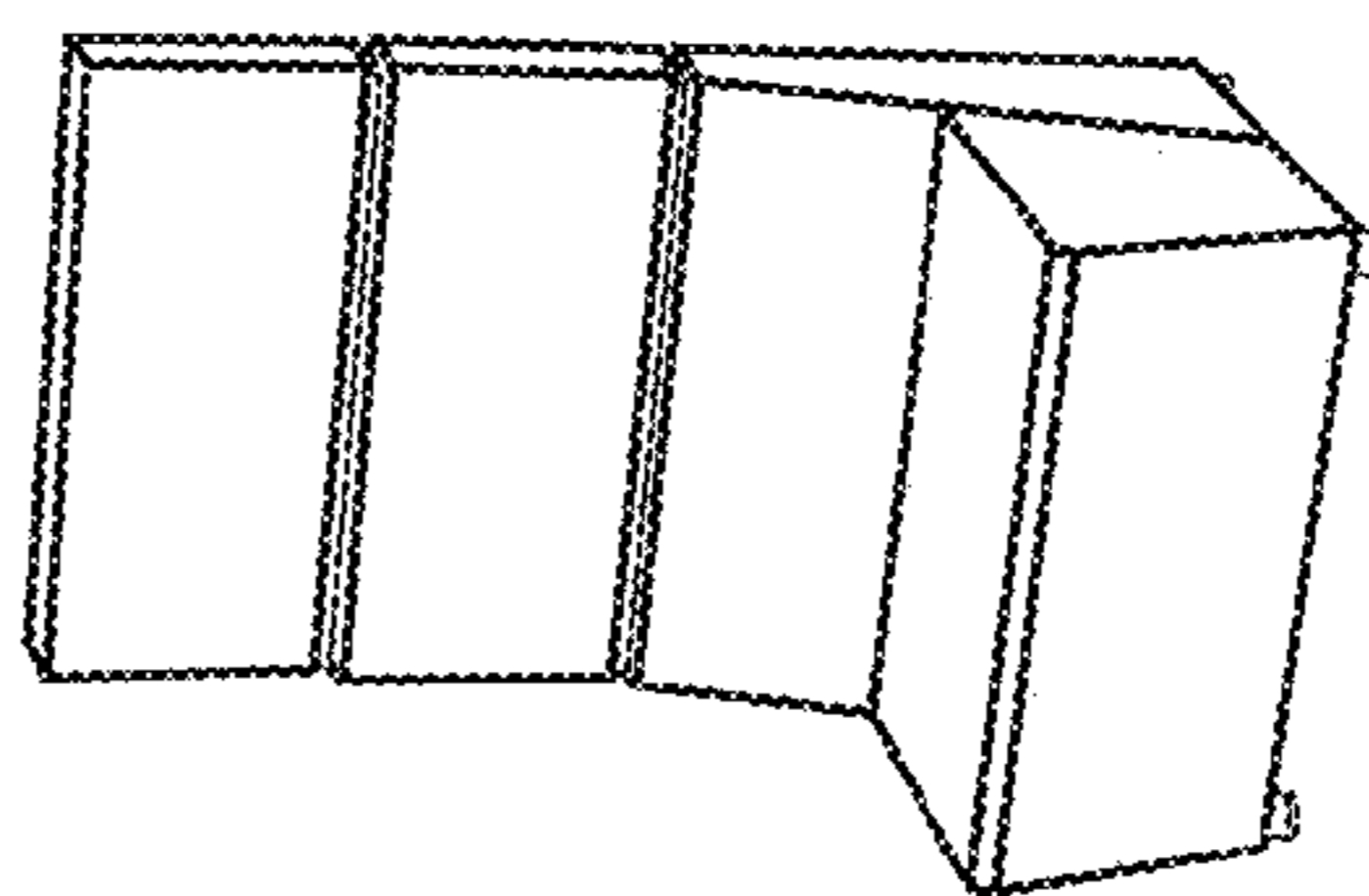


FIG. 11

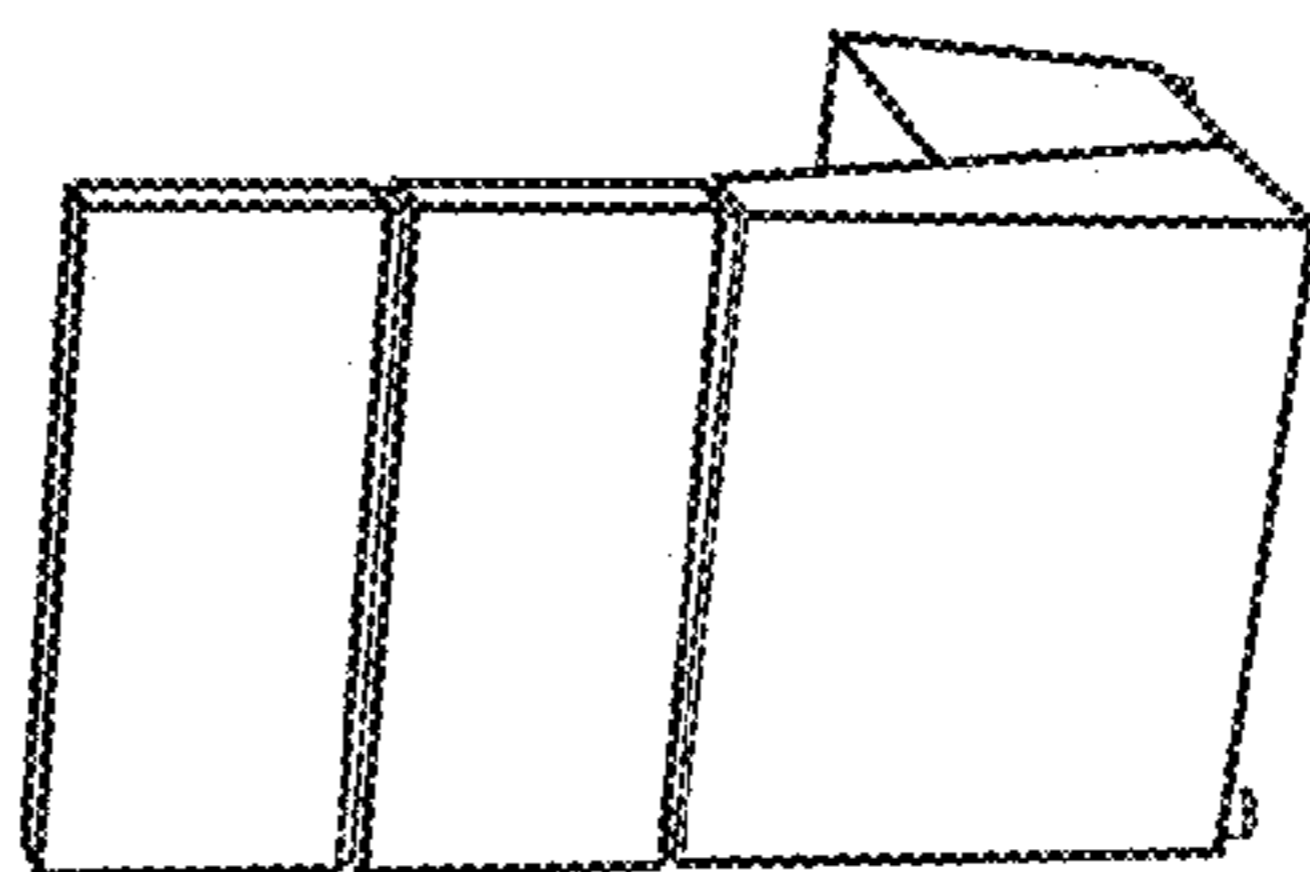


FIG. 12

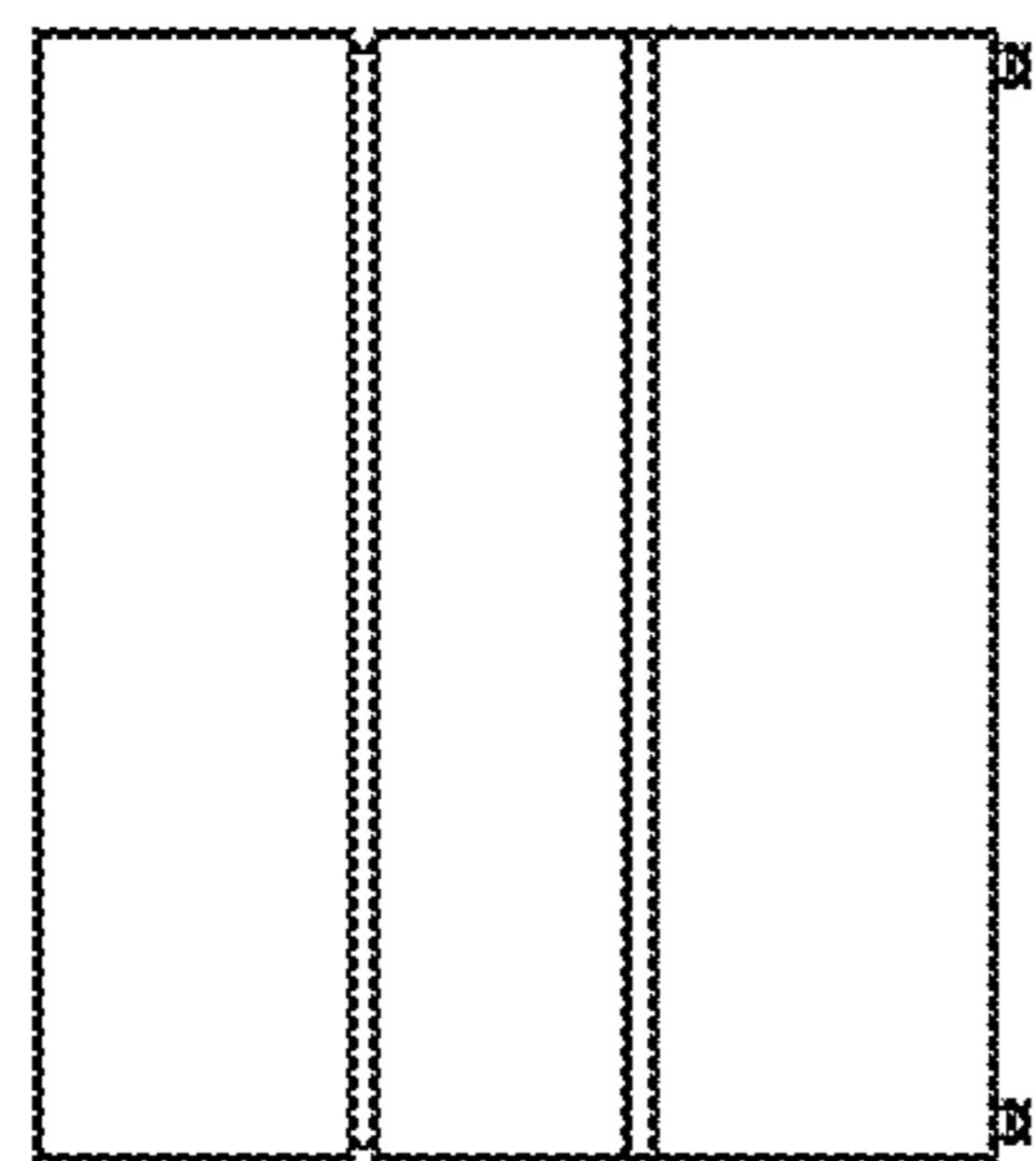


FIG. 13

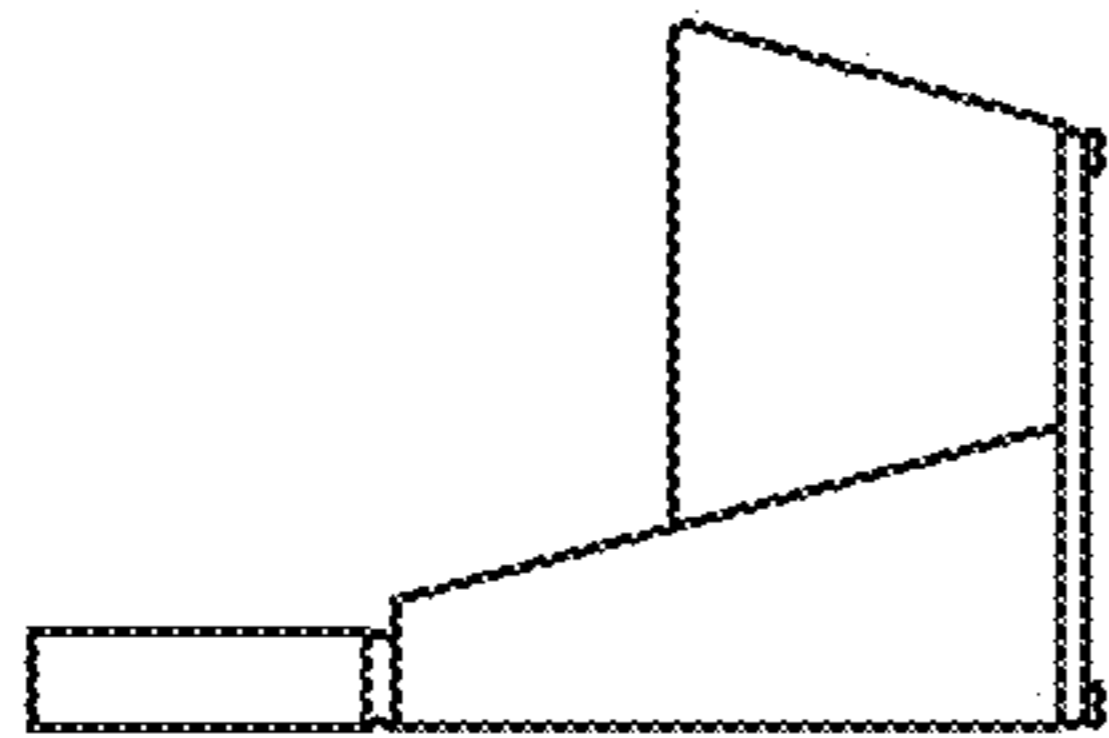


FIG. 14

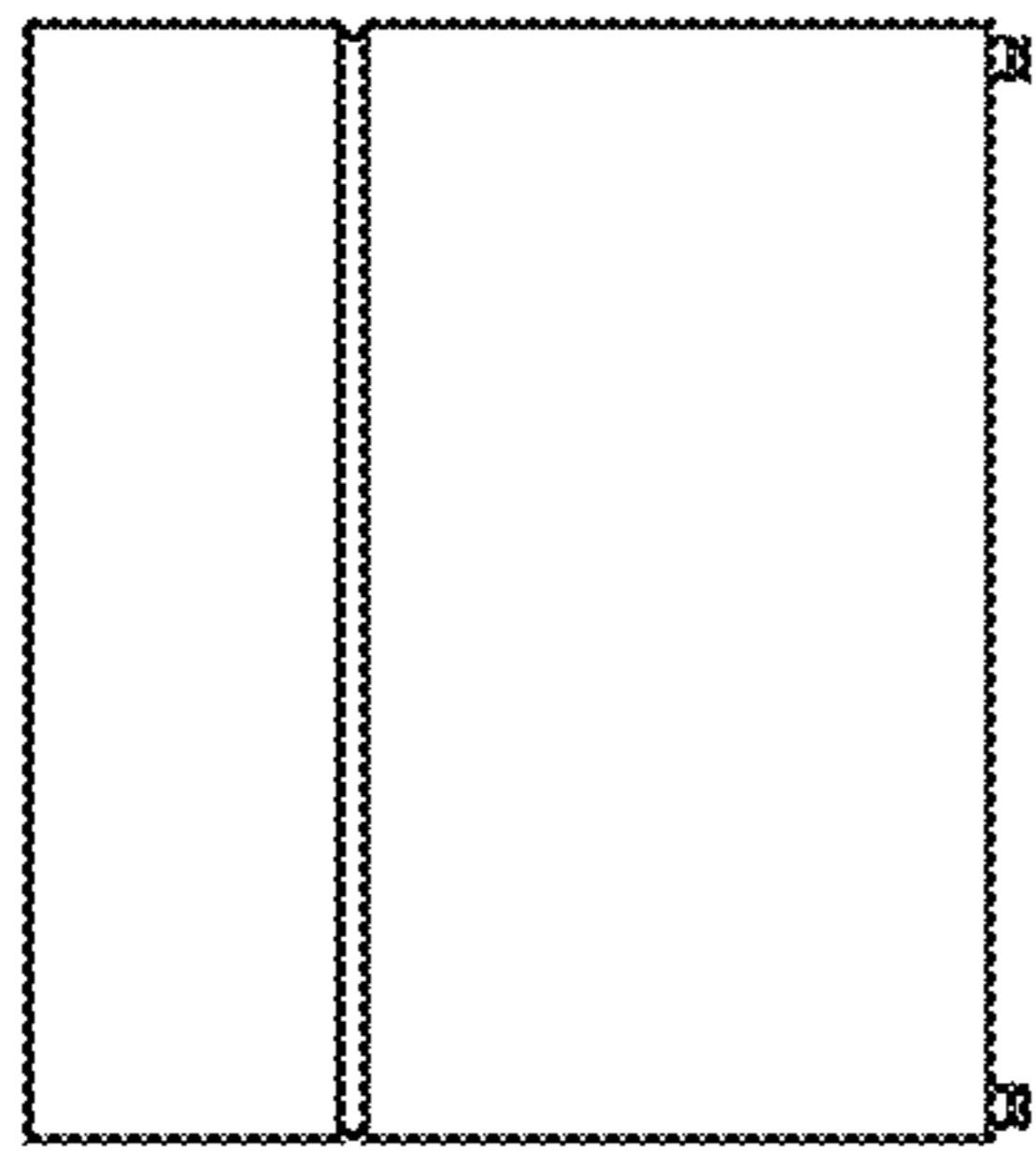


FIG. 15

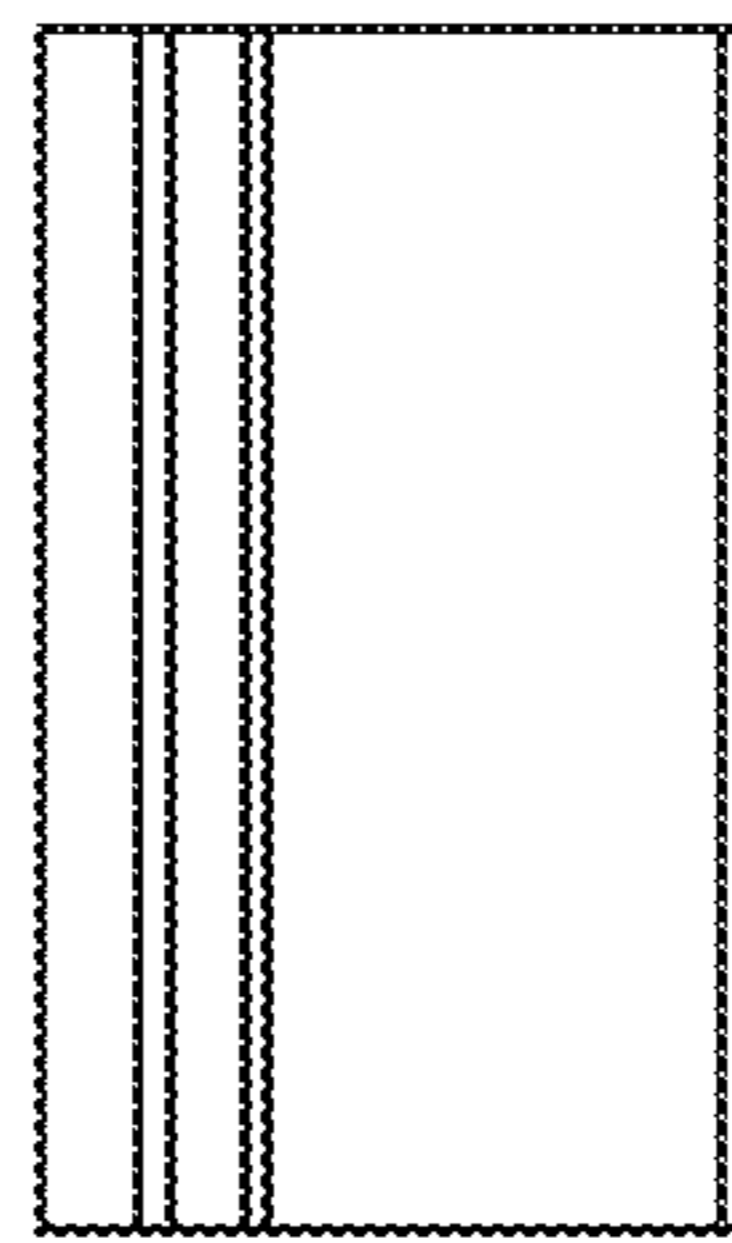


FIG. 16

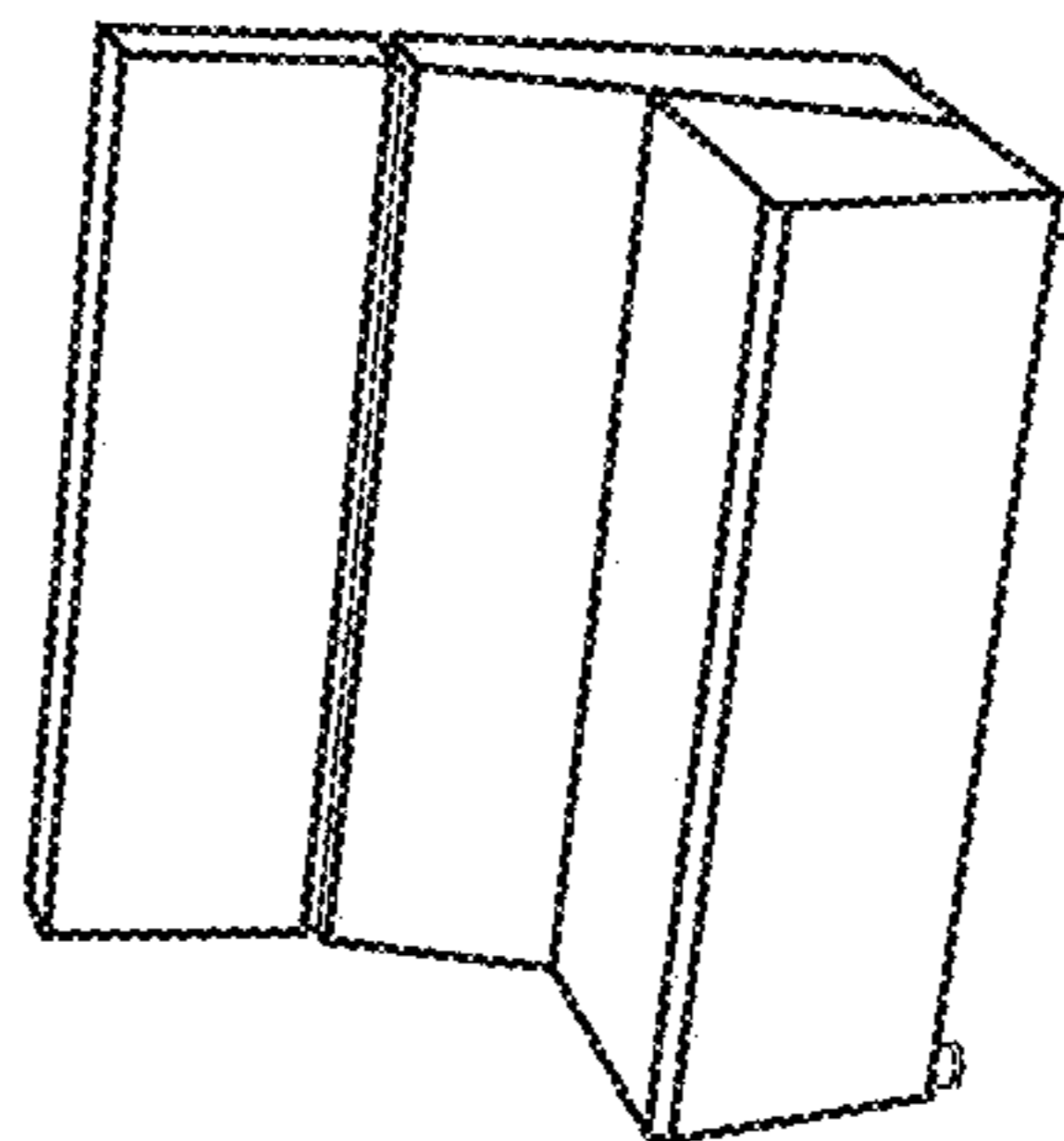


FIG. 17

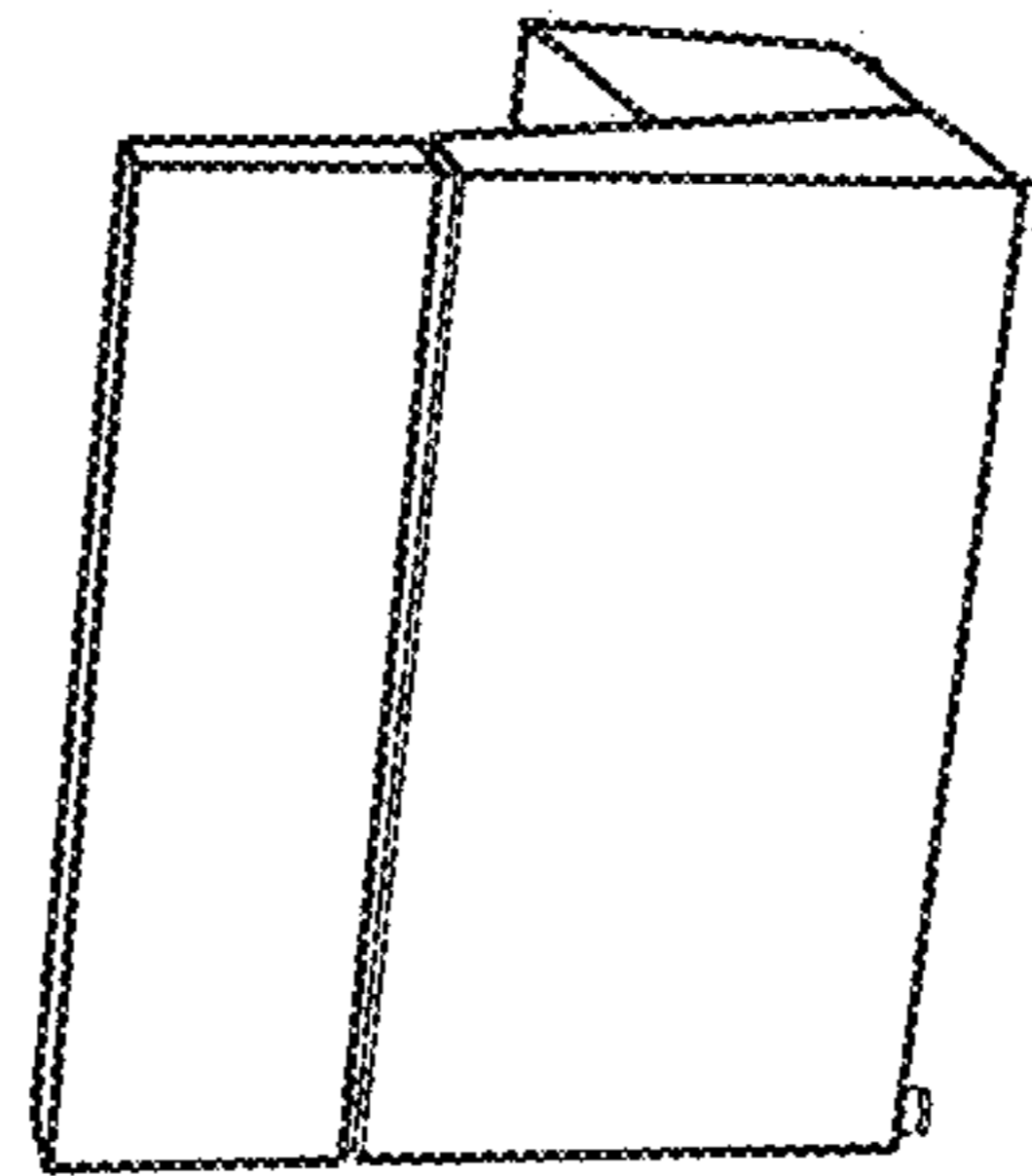


FIG. 18

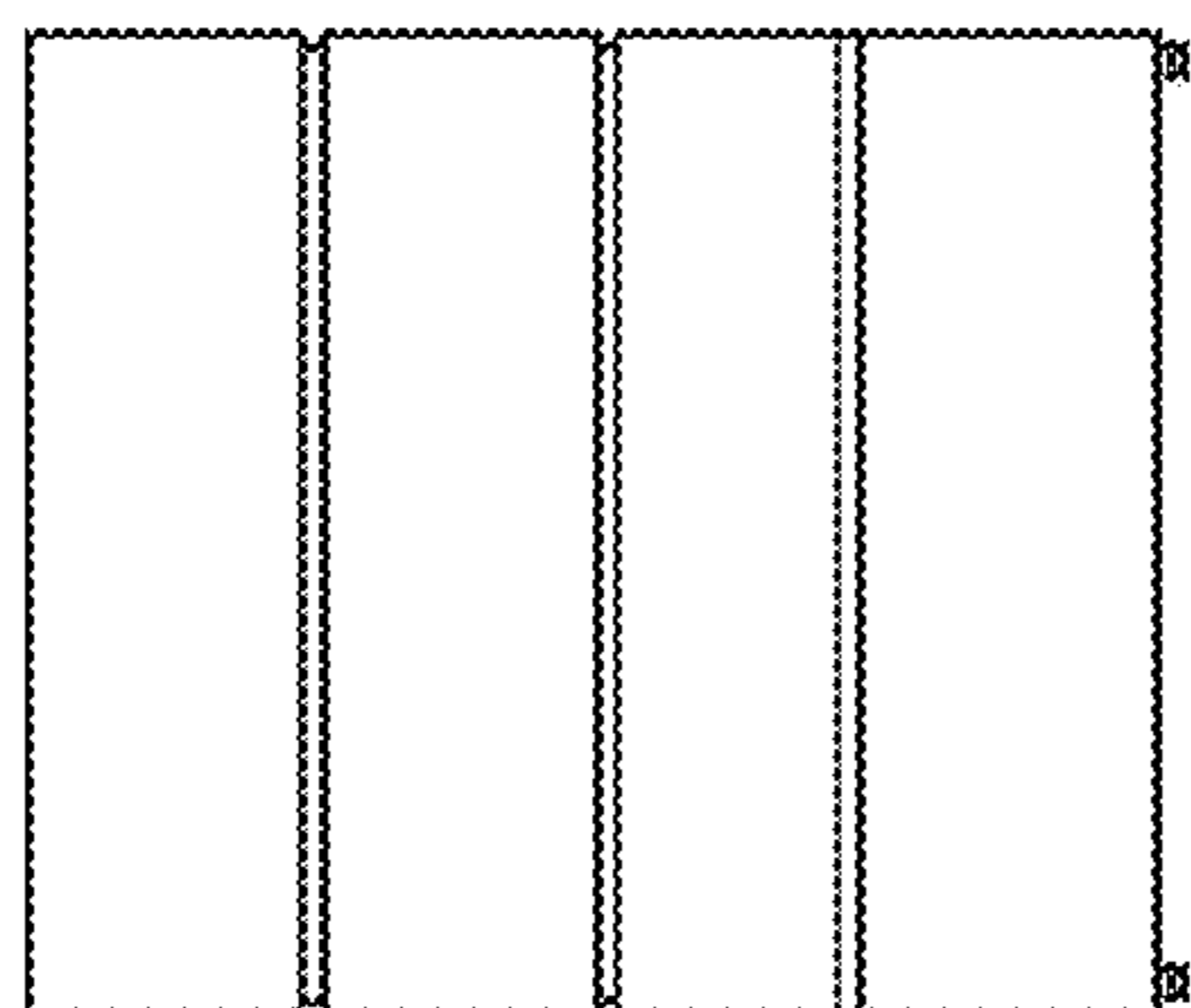


FIG. 19

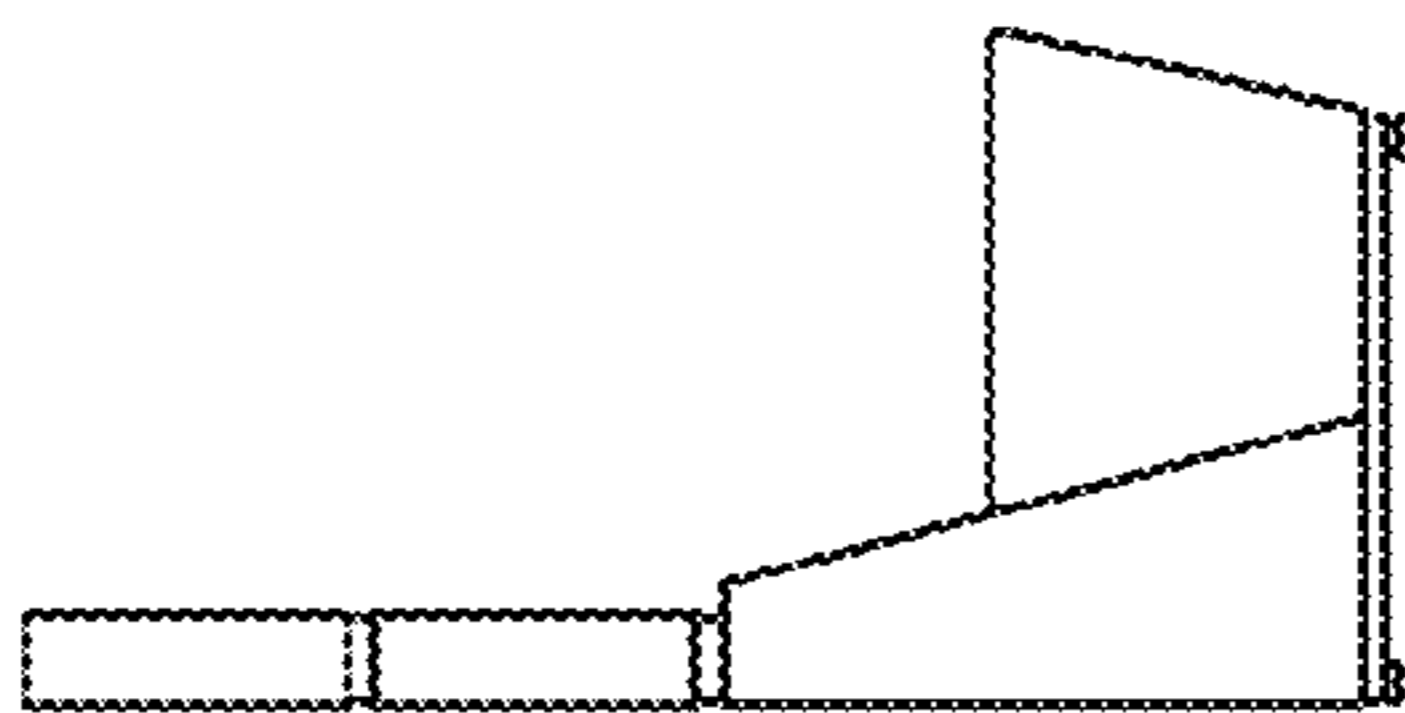


FIG. 20

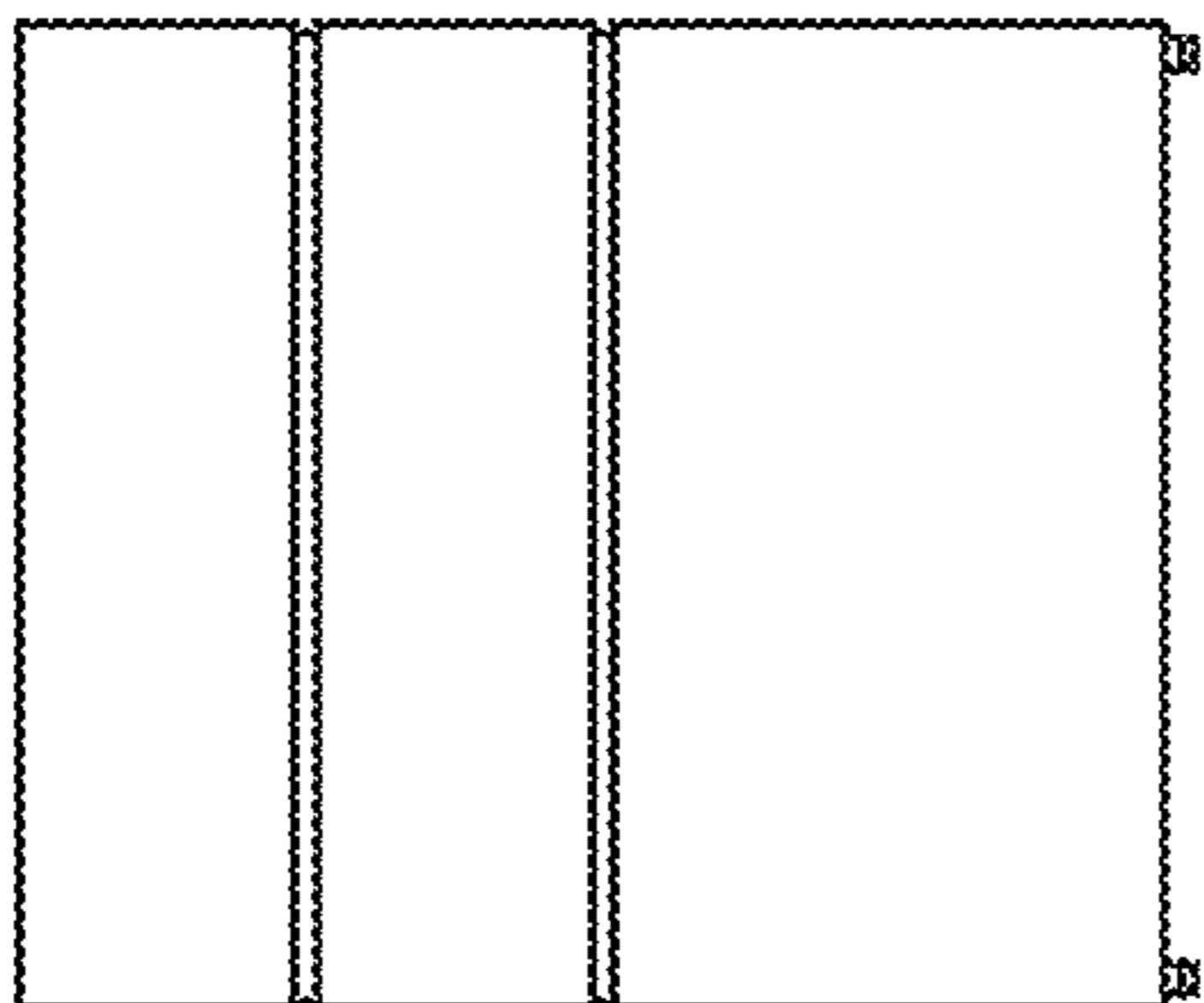


FIG. 21

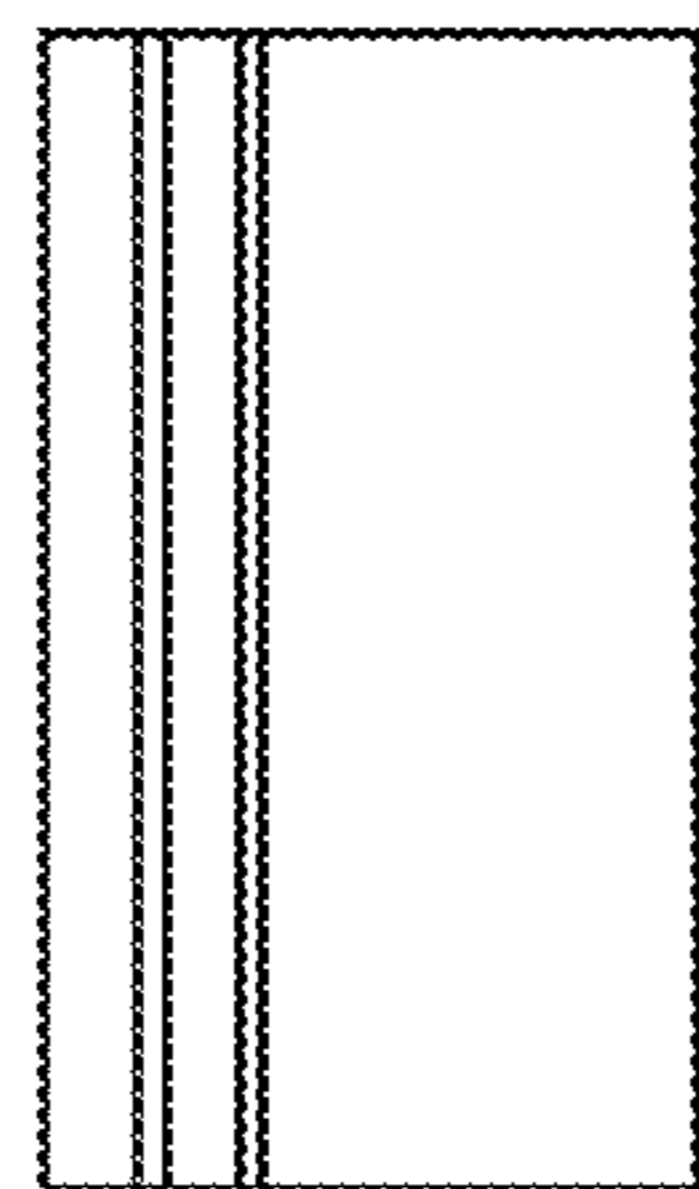


FIG. 22

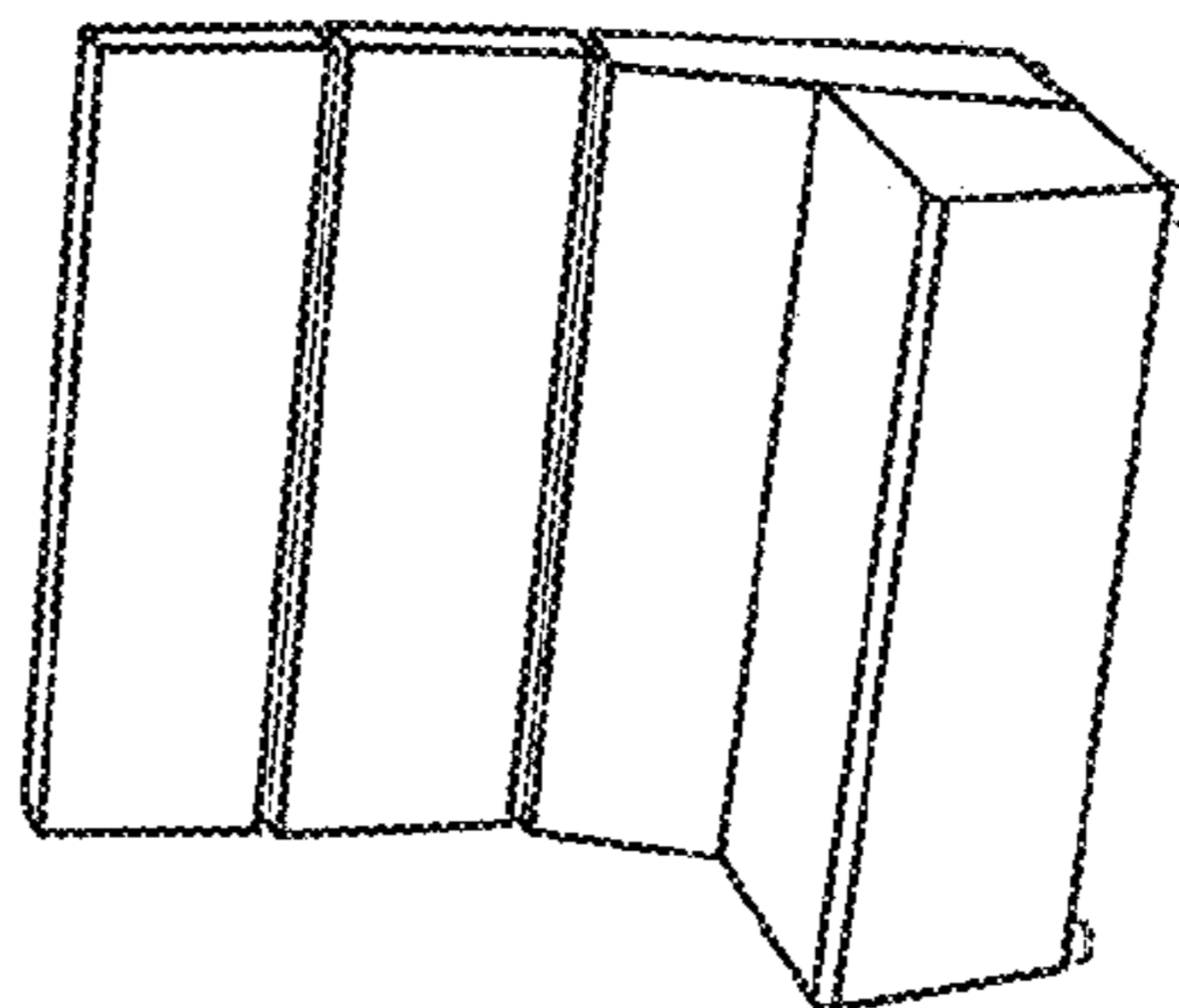


FIG. 23

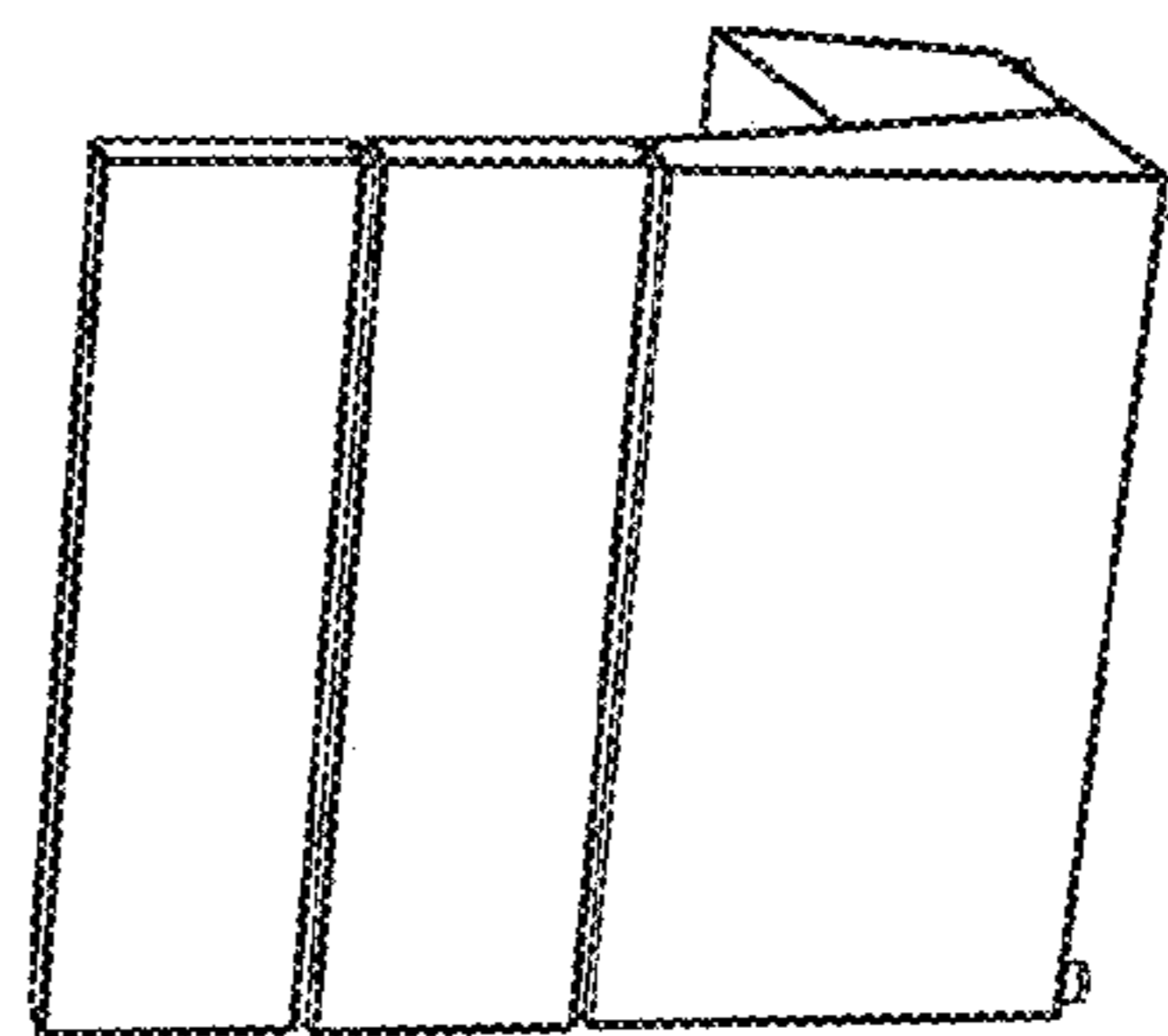


FIG. 24

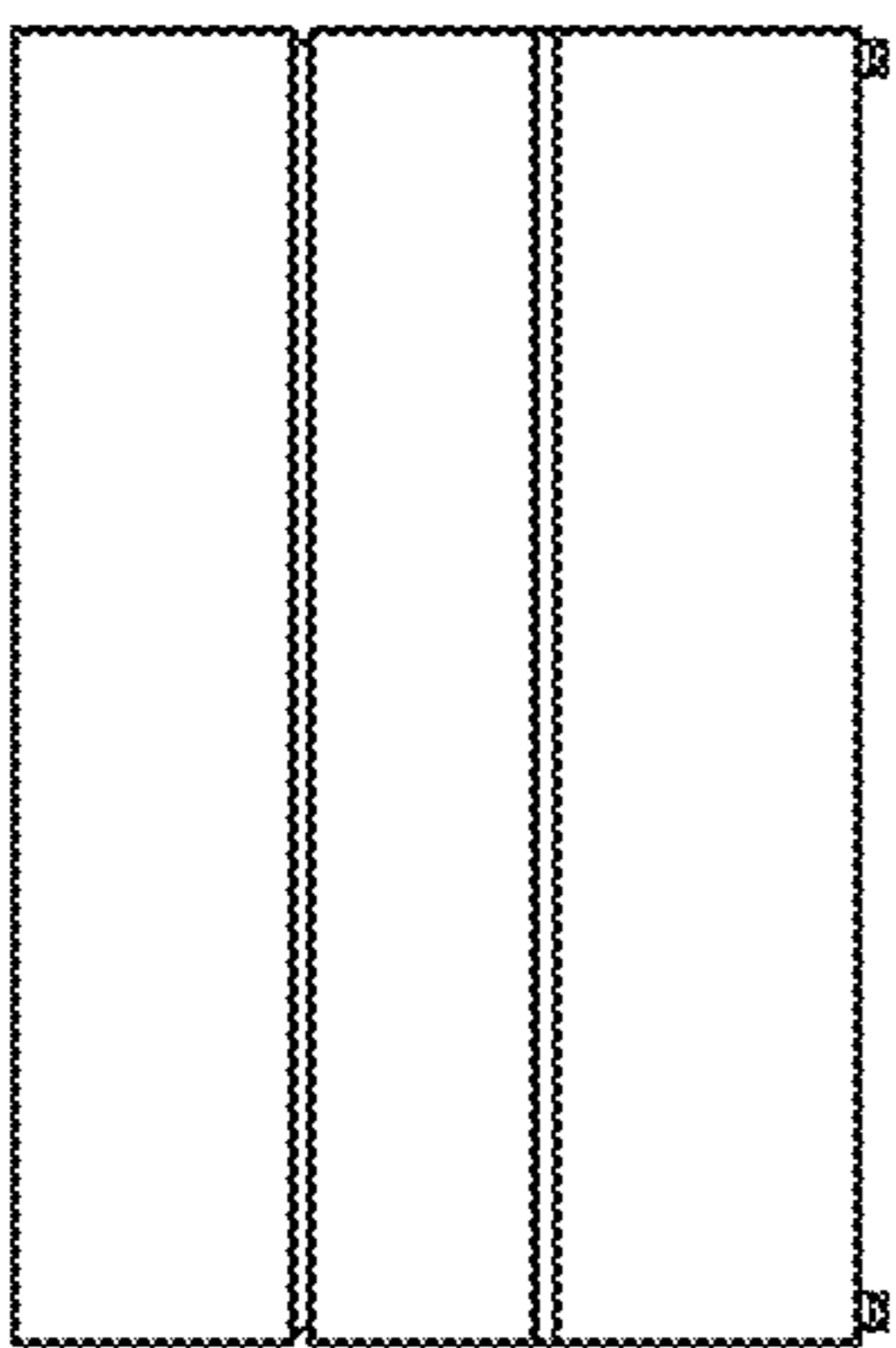


FIG. 25

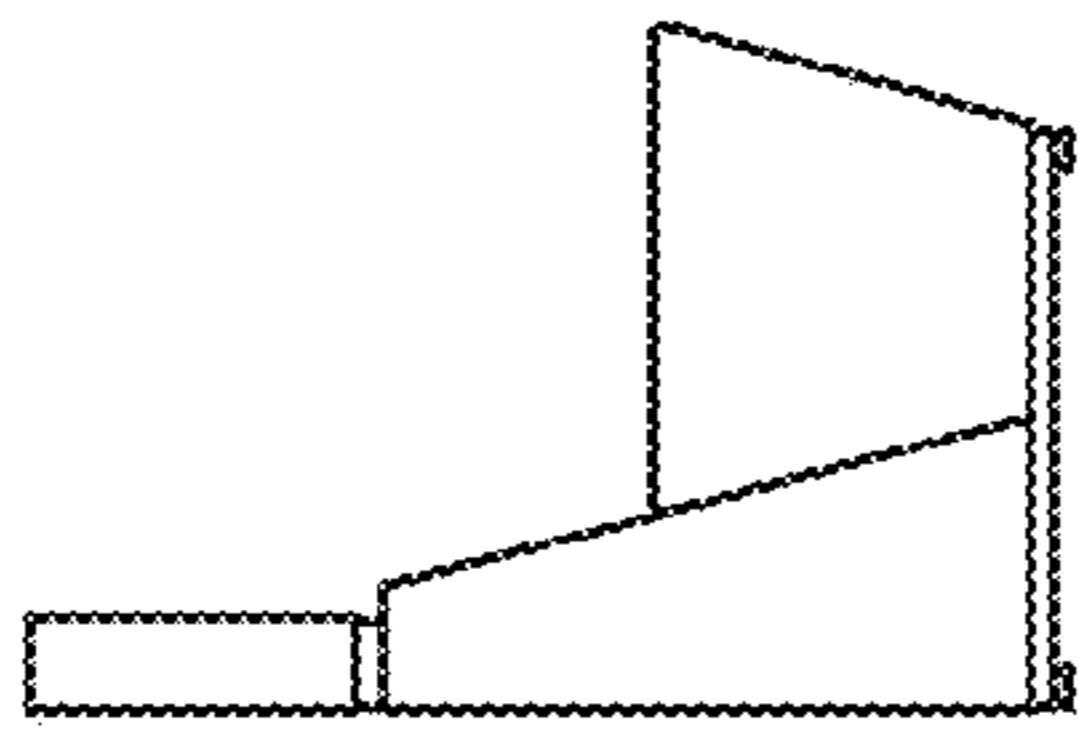


FIG. 26

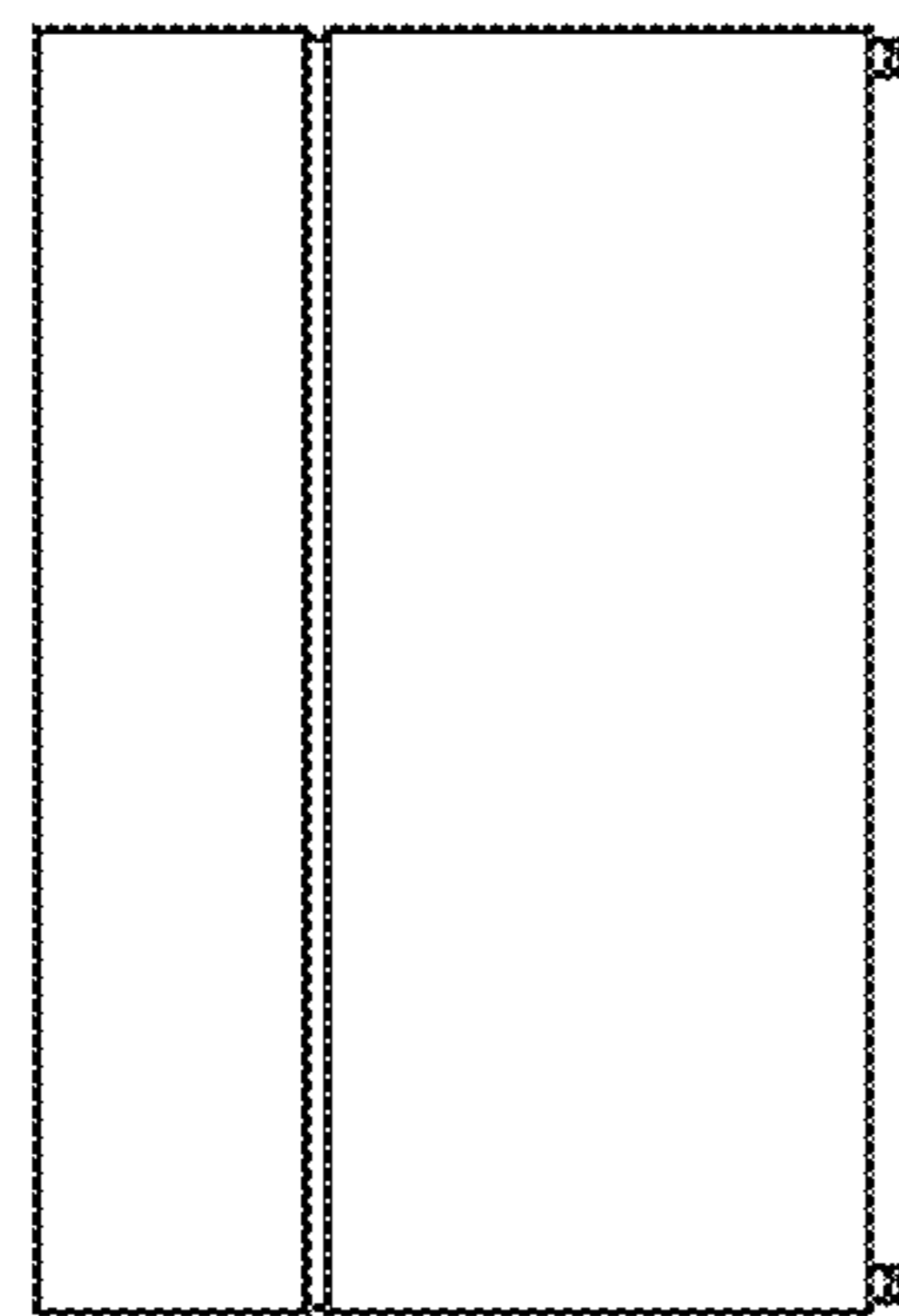


FIG. 27

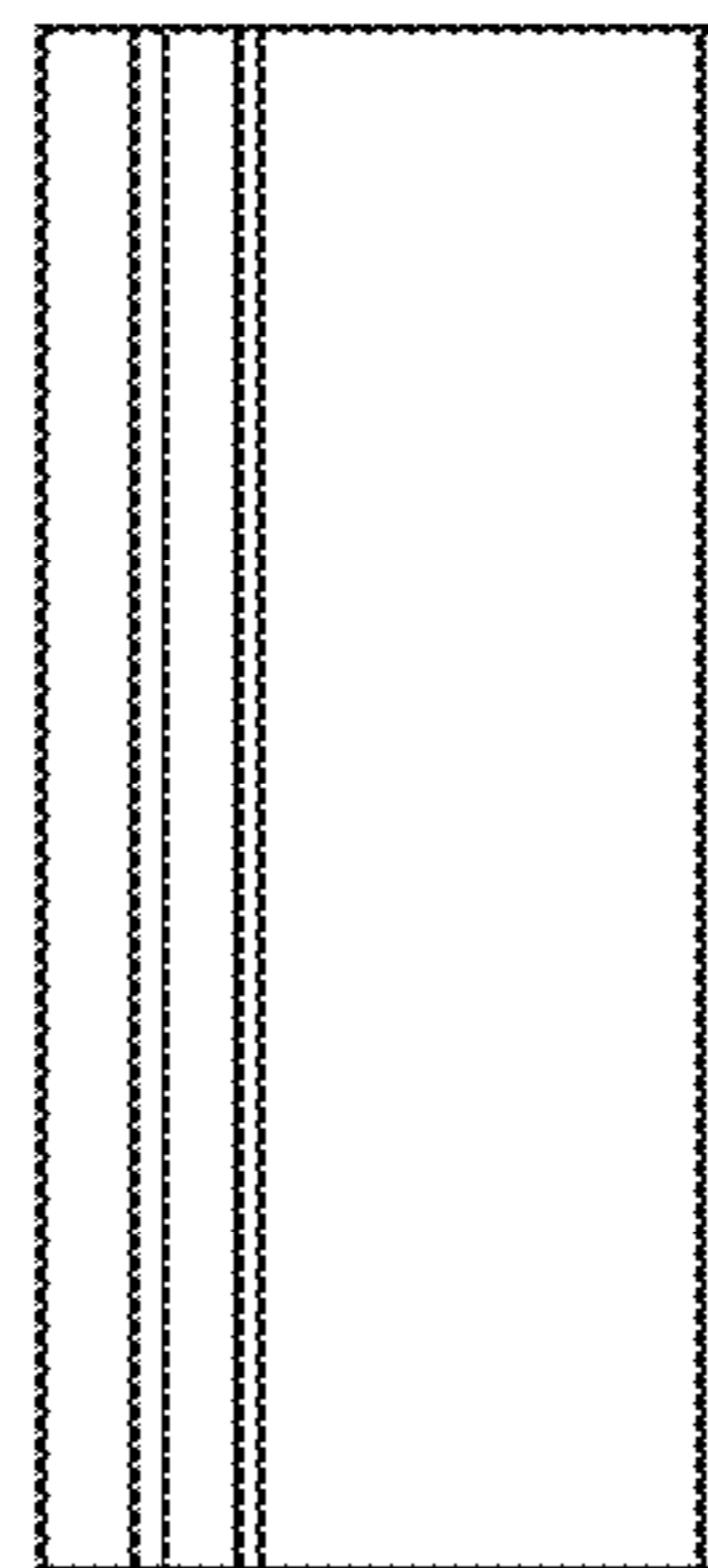


FIG. 28

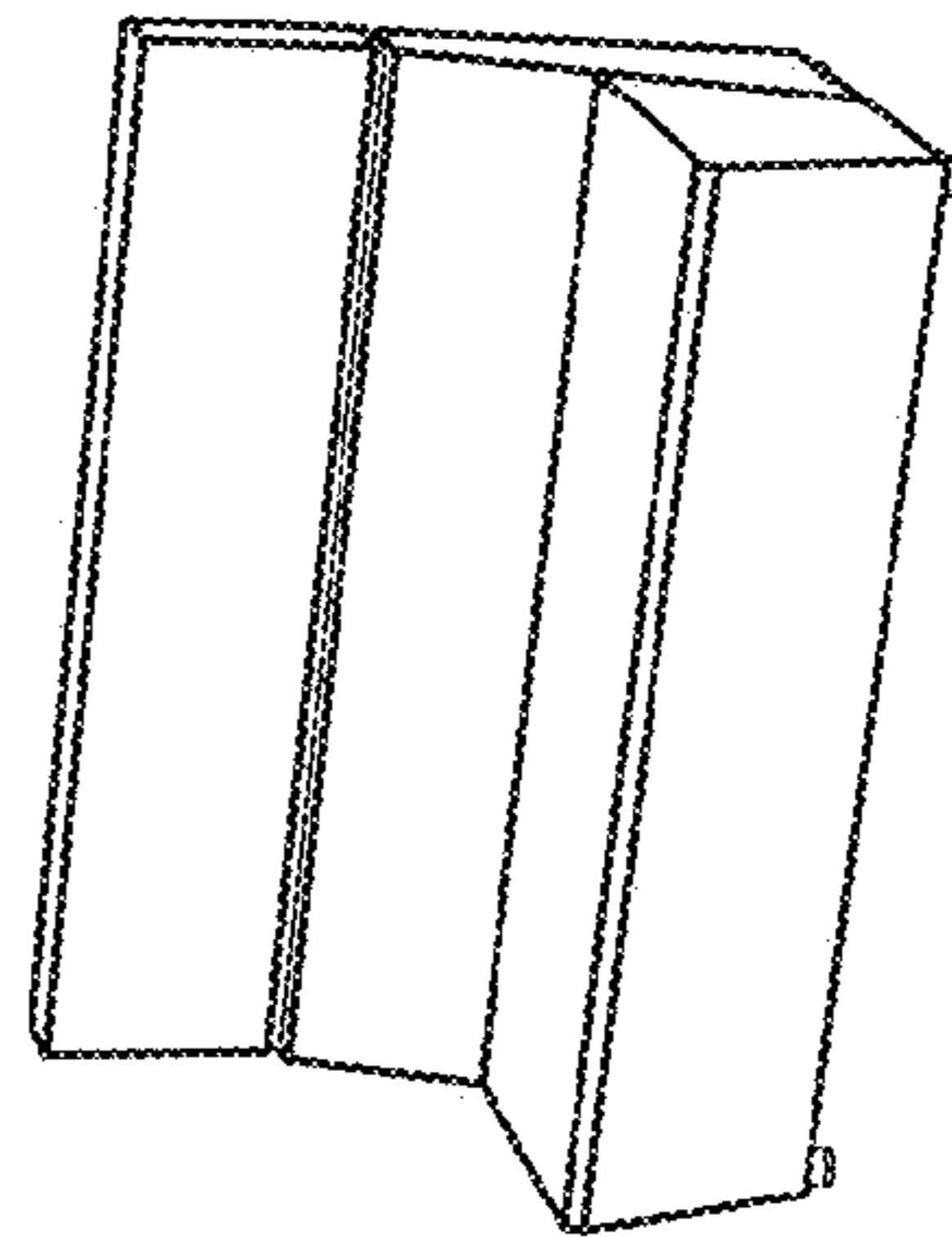


FIG. 29

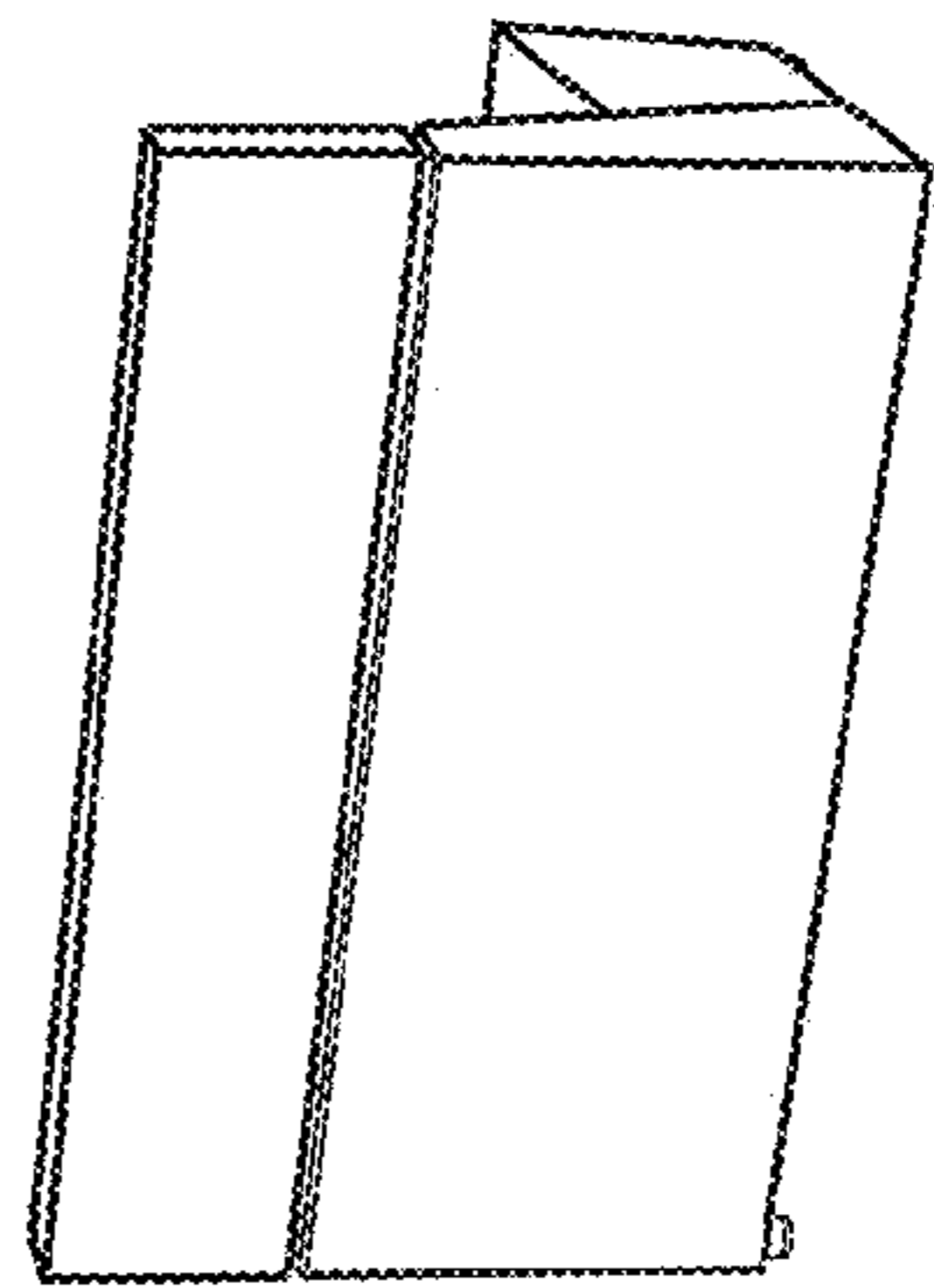


FIG. 30

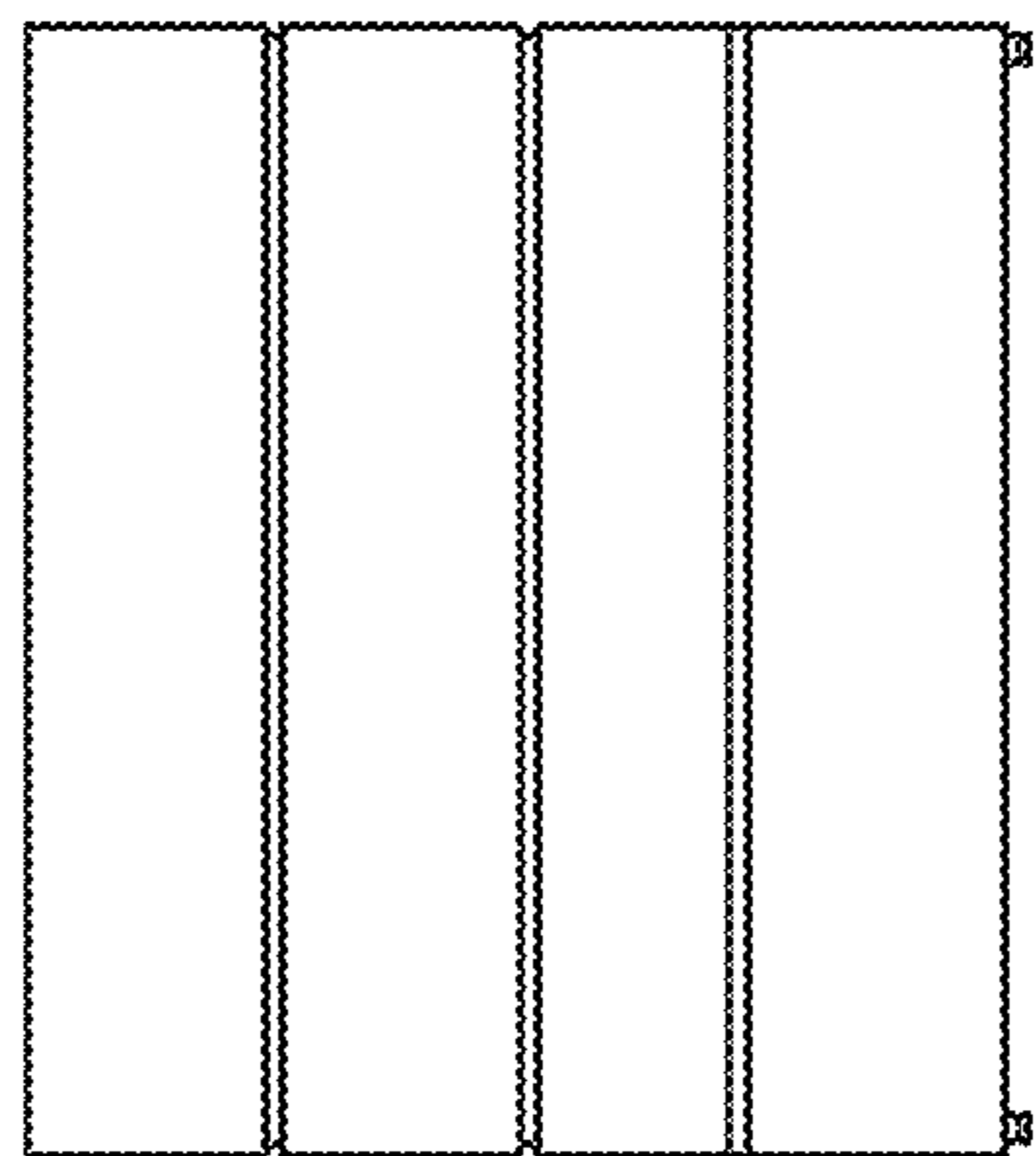


FIG. 31

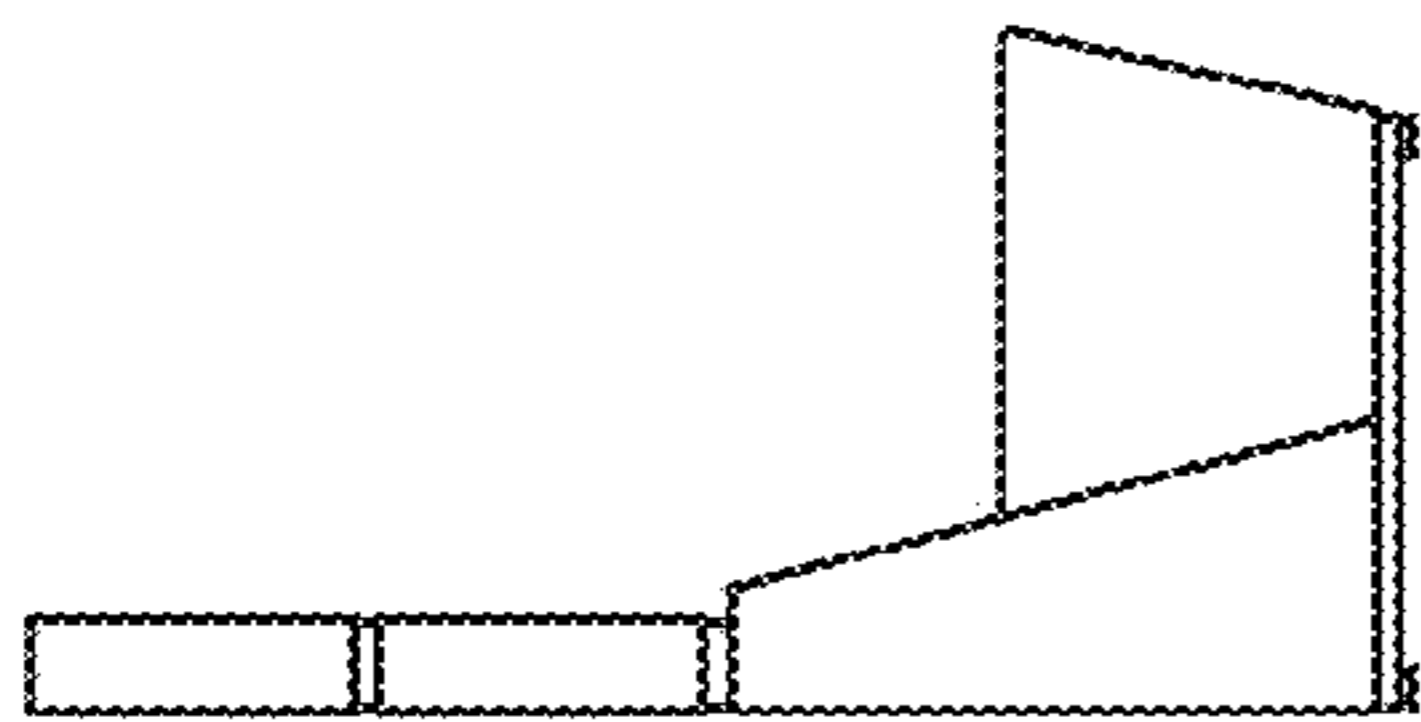


FIG. 32

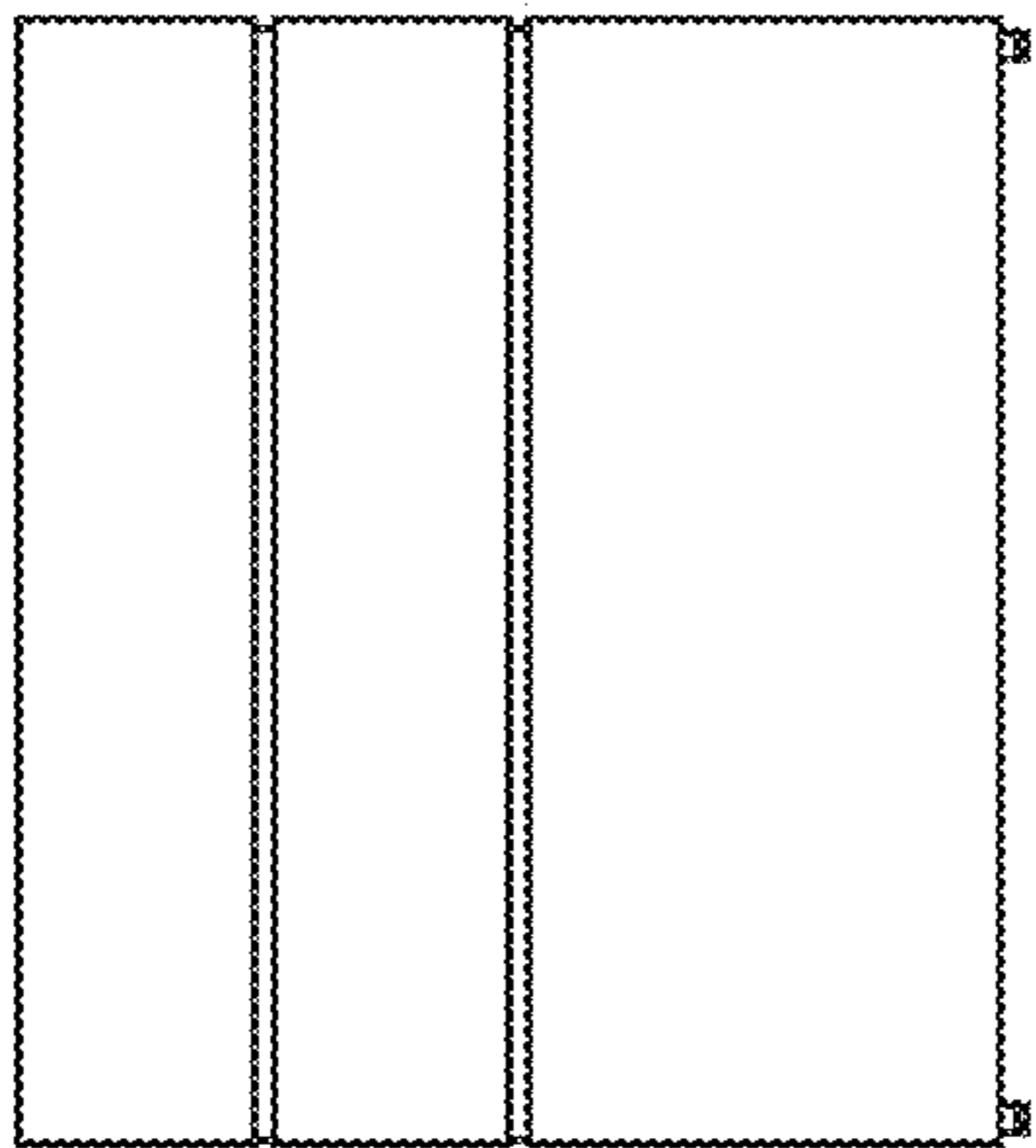


FIG. 33

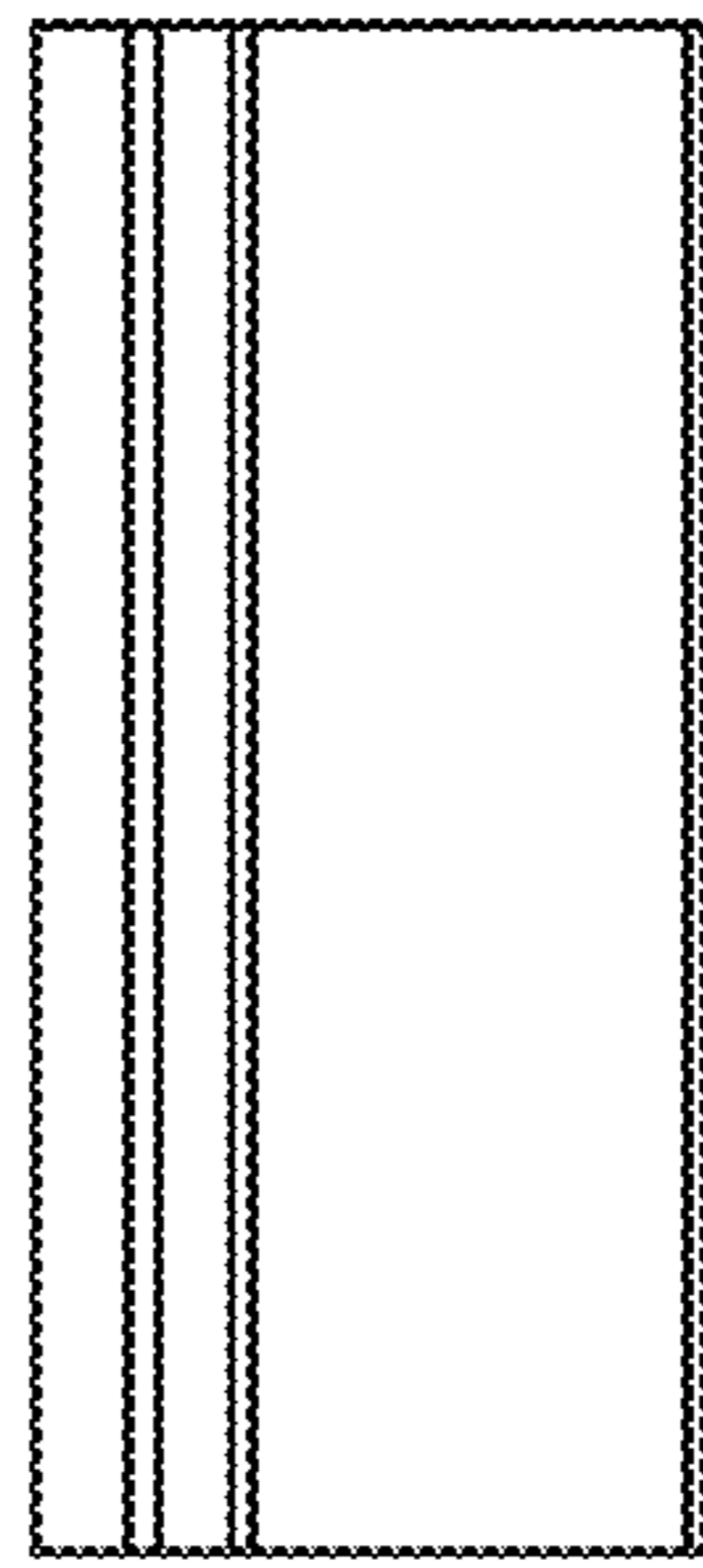


FIG. 34

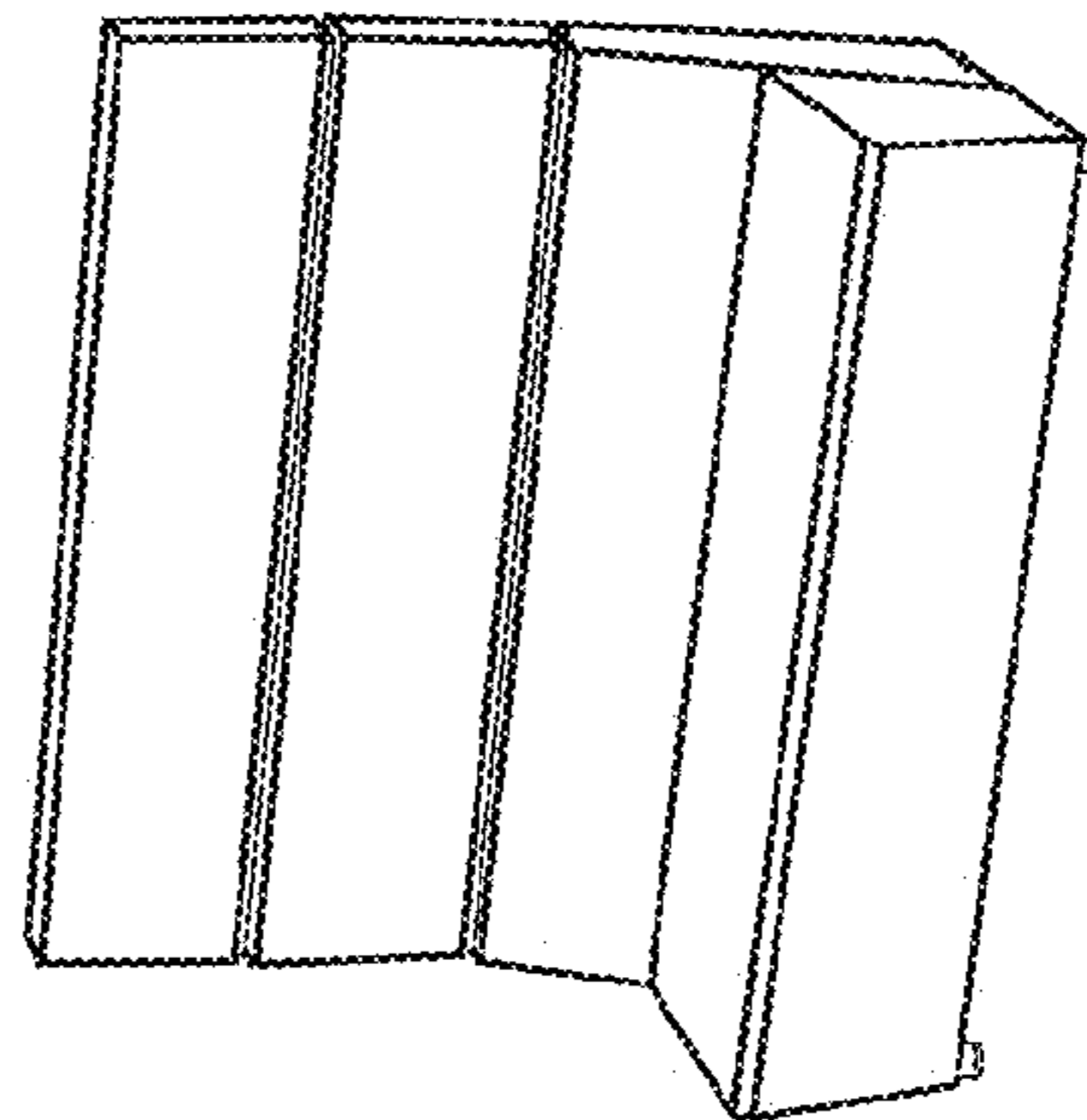


FIG. 35

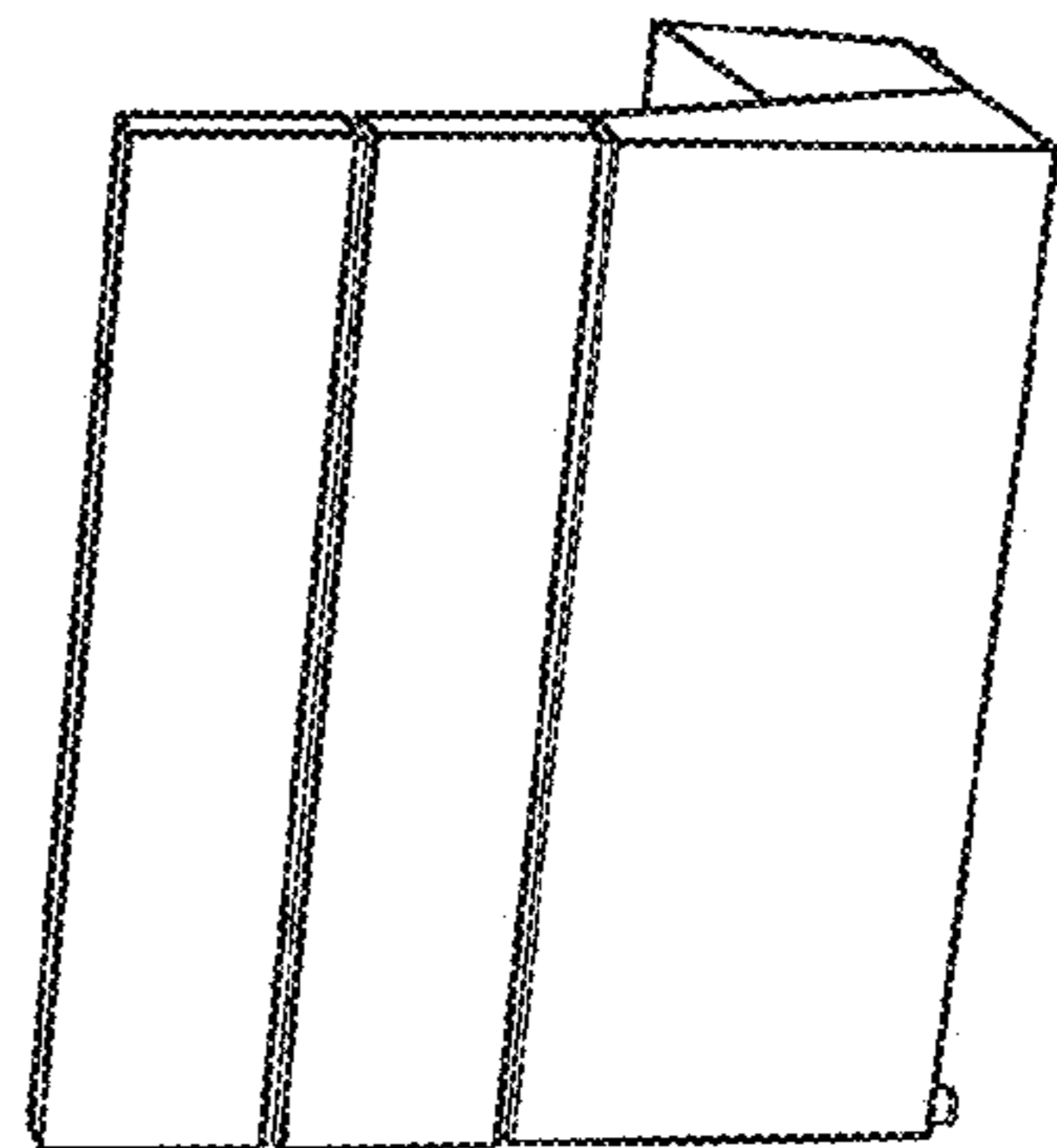


FIG. 36