

US00D739657S

(12) **United States Design Patent**
Hsieh et al.

(10) **Patent No.:** **US D739,657 S**

(45) **Date of Patent:** **** Sep. 29, 2015**

(54) **CONTAINER FOR MOBILE PHONE
EARPHONE**

(71) Applicant: **1MORE INC.**, Shenzhen (CN)

(72) Inventors: **Kuan-hong Hsieh**, Shenzhen (CN);
Bo-qing Lin, Shenzhen (CN); **Yun-liang
Chen**, Shenzhen (CN); **Yong-hui Hu**,
Shenzhen (CN); **Tian-lei Wang**,
Shenzhen (CN)

(73) Assignee: **1More Inc.**, Shenzhen (CN)

(**) Term: **14 Years**

(21) Appl. No.: **29/473,817**

(22) Filed: **Nov. 26, 2013**

(30) **Foreign Application Priority Data**

May 30, 2013 (CN) 2013 3 0219797

(51) **LOC (10) Cl.** **03-01**

(52) **U.S. Cl.**
USPC **D3/319**

(58) **Field of Classification Search**

USPC D3/201, 203.1, 203.3, 203.6, 205, 218,
D3/272-273, 294-295, 301, 319; D9/414,
D9/418, 423-426, 430, 432, 455-457, 721,
D9/737; D28/83; 206/37, 38, 216, 223,
206/320, 471, 557, 562, 564, 769, 775, 776
CPC A45C 11/16; A47F 7/03; A47F 7/02;
A47G 23/06; A61B 2019/5208; B65B 11/52;
B65D 1/36; B65D 5/5028; B65D 5/4204;
B65D 15/08; B65D 25/10; B65D 51/26;
B65D 81/025; B65D 75/305; B65D 75/36;
B65D 75/366; B65D 75/32; B65D 85/00;
F01M 11/0458; F16N 31/004

See application file for complete search history.

(56) **References Cited**

U.S. PATENT DOCUMENTS

D256,994 S * 9/1980 MacGregor D3/205
D397,865 S * 9/1998 Lin D3/218

(Continued)

Primary Examiner — Caron D Veynar

Assistant Examiner — Holly E Thurman

(74) *Attorney, Agent, or Firm* — Fenwick & West LLP

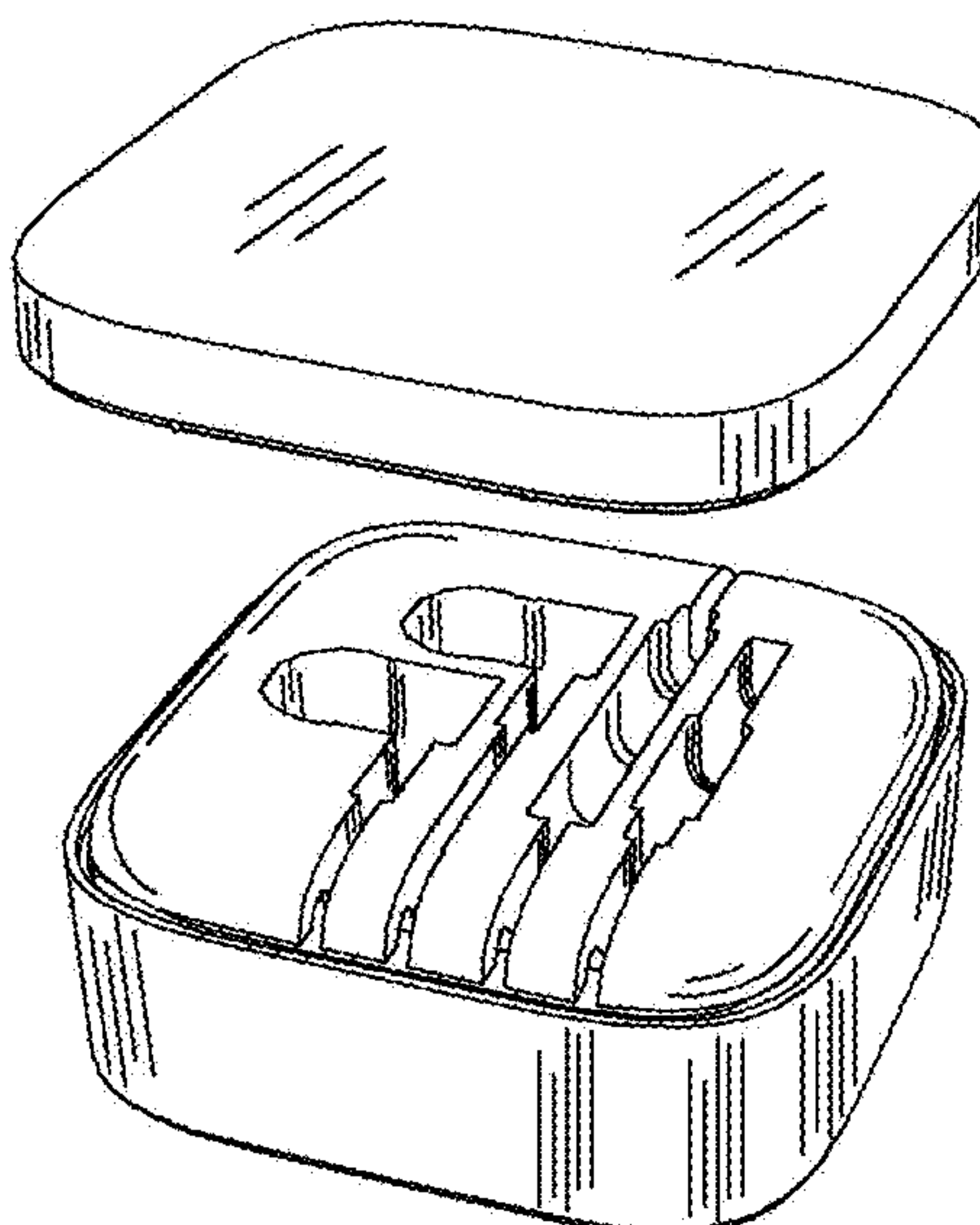
(57) **CLAIM**

The ornamental design for a container for mobile phone ear-
phone, as shown and described.

DESCRIPTION

FIG. 1 is a front view of an insert of the container for mobile
phone earphone, shown separately for clarity of disclosure;
FIG. 2 is a rear view of FIG. 1 thereof;
FIG. 3 is a left side view of FIG. 1 thereof;
FIG. 4 is a right side view of FIG. 1 thereof;
FIG. 5 is a top plan view of FIG. 1 thereof;
FIG. 6 is a bottom plan view of FIG. 1 thereof;
FIG. 7 is a perspective view of FIG. 1 thereof;
FIG. 8 is a second perspective view of FIG. 1 thereof;
FIG. 9 is a front view of a base of the container for mobile
phone earphone, shown separately for clarity of disclosure;
FIG. 10 is a left side view of FIG. 9 thereof;
FIG. 11 is a perspective view of FIG. 9 thereof;
FIG. 12 is a front view of a lid of the container for mobile
phone earphone, shown separately for clarity of disclosure;
FIG. 13 is a left side view of FIG. 12 thereof;
FIG. 14 is a perspective view of FIG. 12 thereof;
FIG. 15 is a perspective view of the container for mobile
phone earphone comprised of an insert, base, and lid showing
our new design, shown in an open state; and,
FIG. 16 is a perspective view of FIG. 15 thereof, shown in a
closed state.

1 Claim, 16 Drawing Sheets



(56)

References Cited

U.S. PATENT DOCUMENTS

D493,335 S * 7/2004 Armato D7/629
D506,744 S * 6/2005 Andre et al. D14/205
D604,501 S * 11/2009 Lee D3/201
D659,530 S * 5/2012 Akana et al. D9/424

D672,660 S * 12/2012 Vural D9/721
D686,065 S * 7/2013 Kuo et al. D9/432
D697,718 S * 1/2014 Chun D3/319
D704,072 S * 5/2014 Akana et al. D9/721
D706,643 S * 6/2014 Akana et al. D9/721
D712,279 S * 9/2014 Akana et al. D9/721
2008/0169218 A1 * 7/2008 Andre et al. 206/525

* cited by examiner

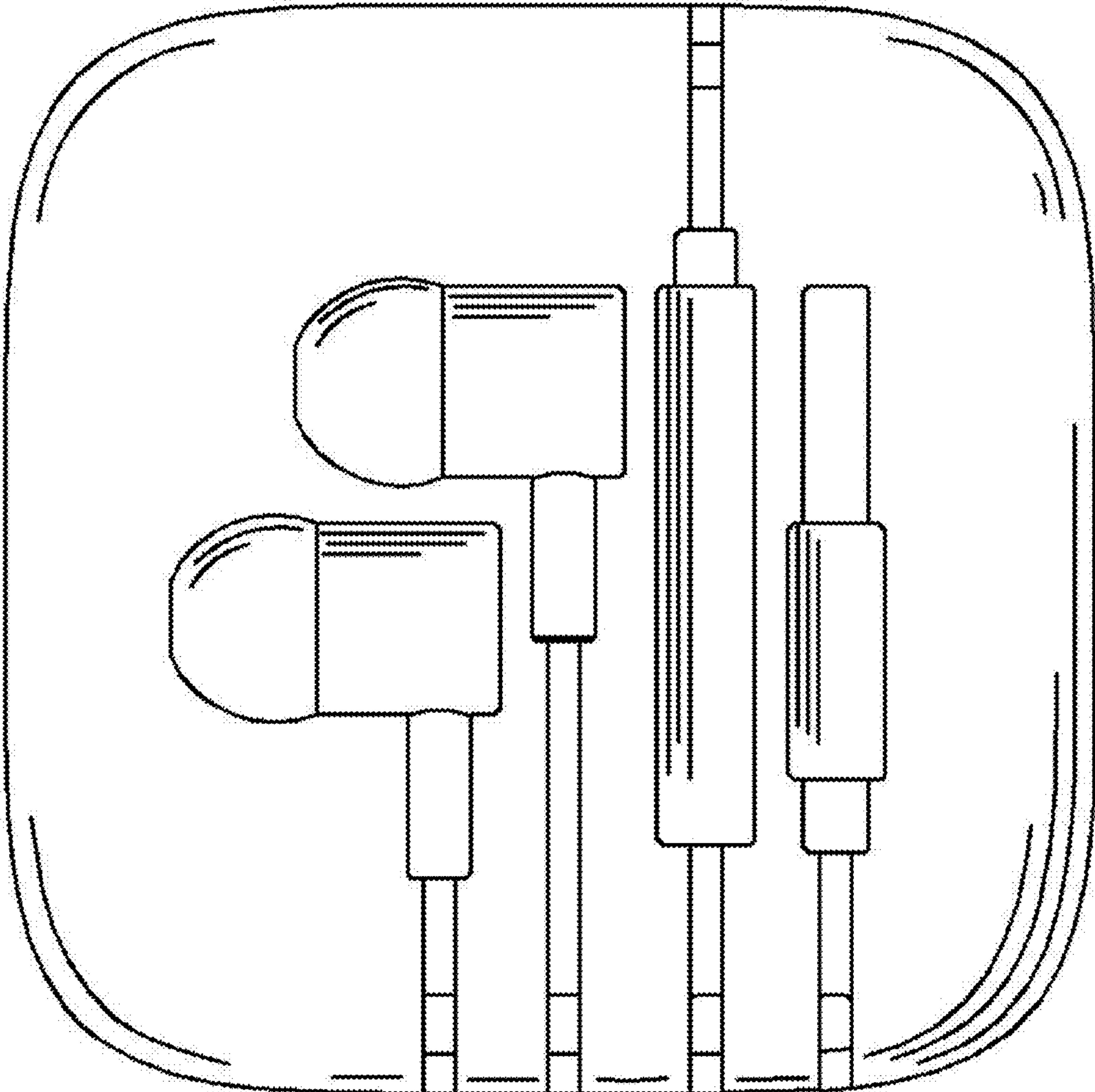


FIG. 1

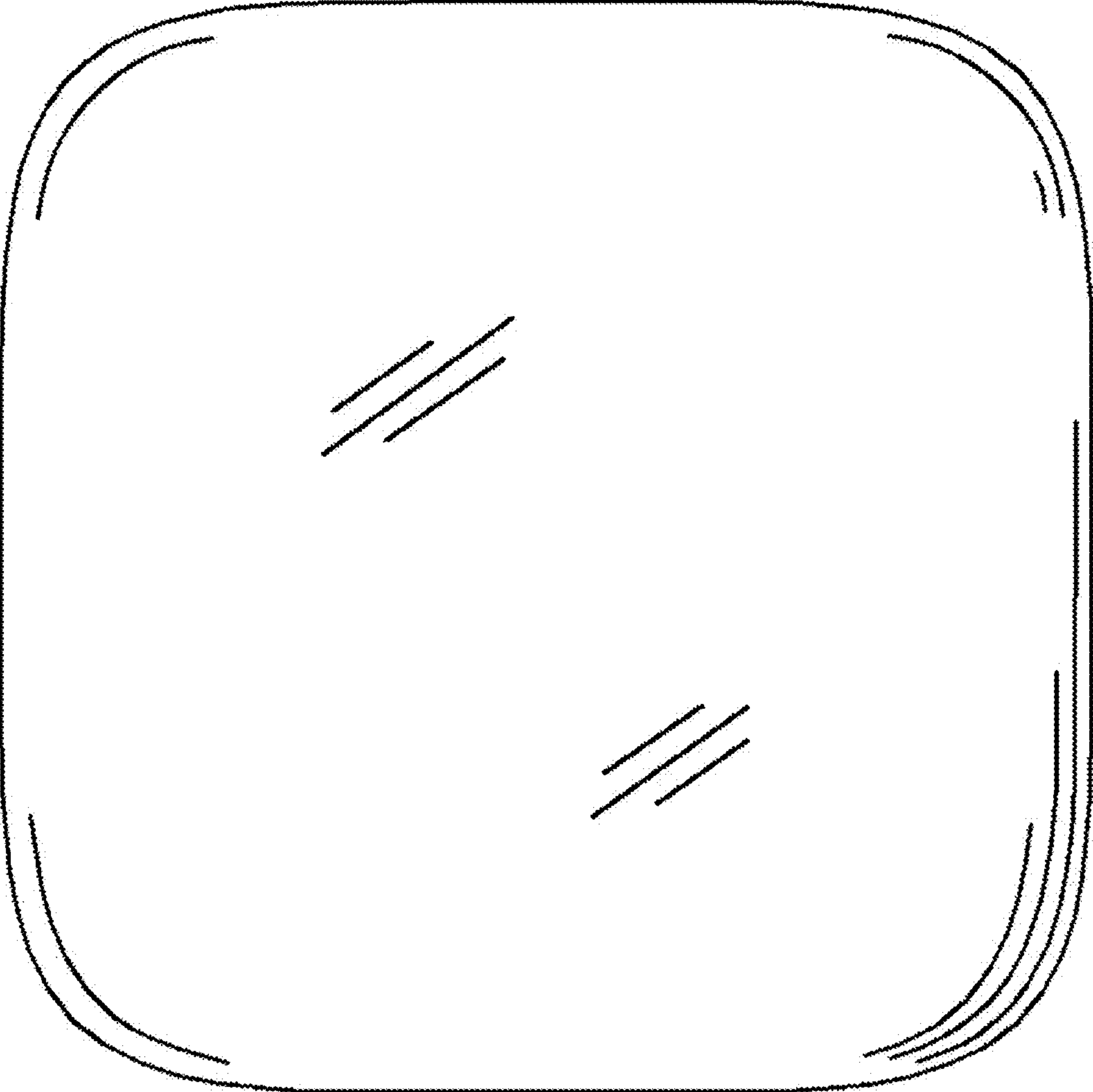


FIG. 2

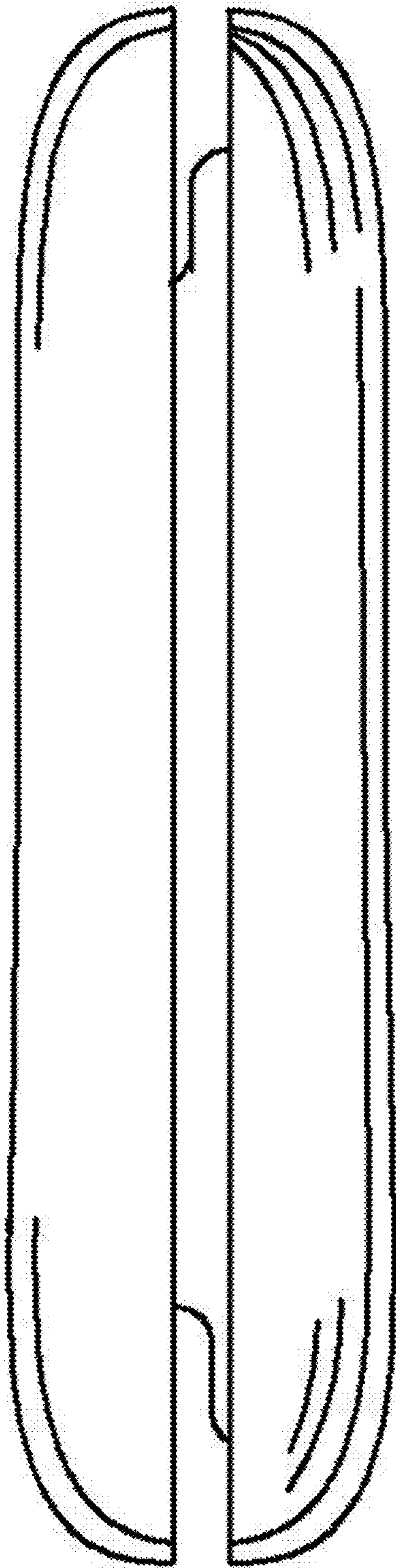


FIG. 3

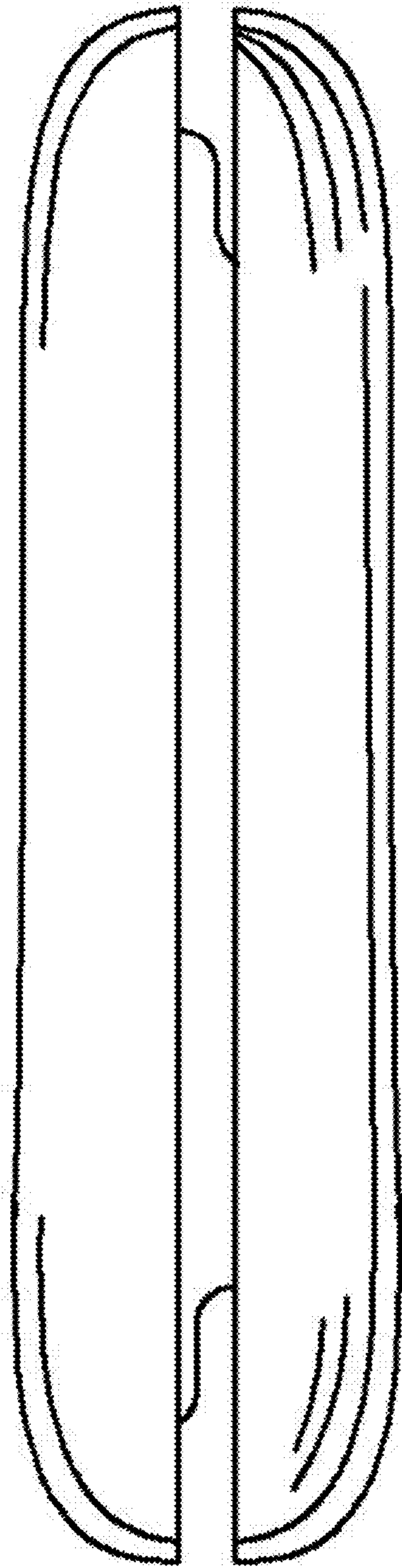


FIG. 4



FIG. 5

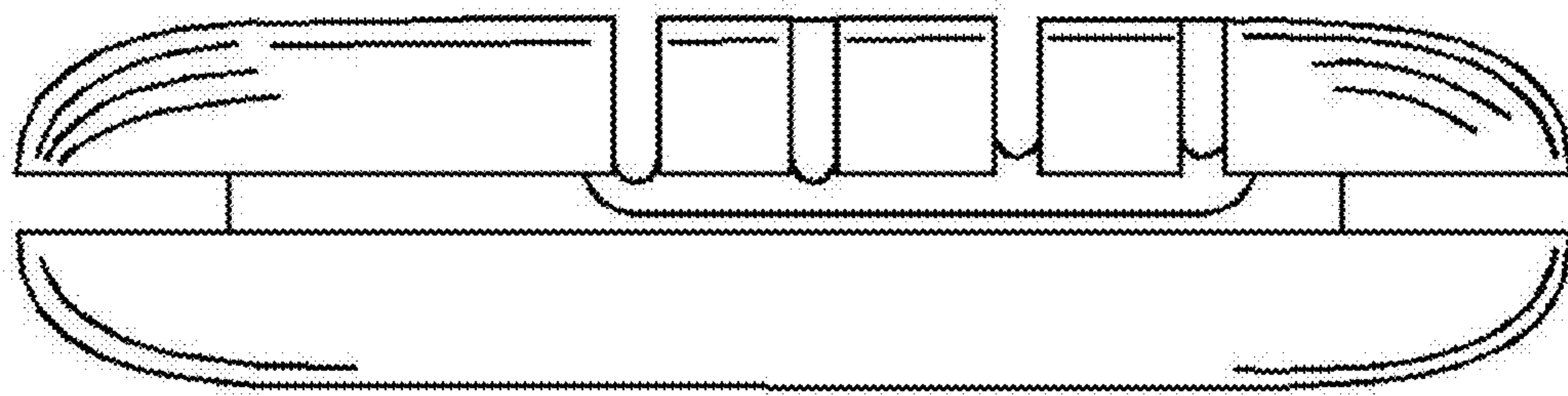


FIG. 6

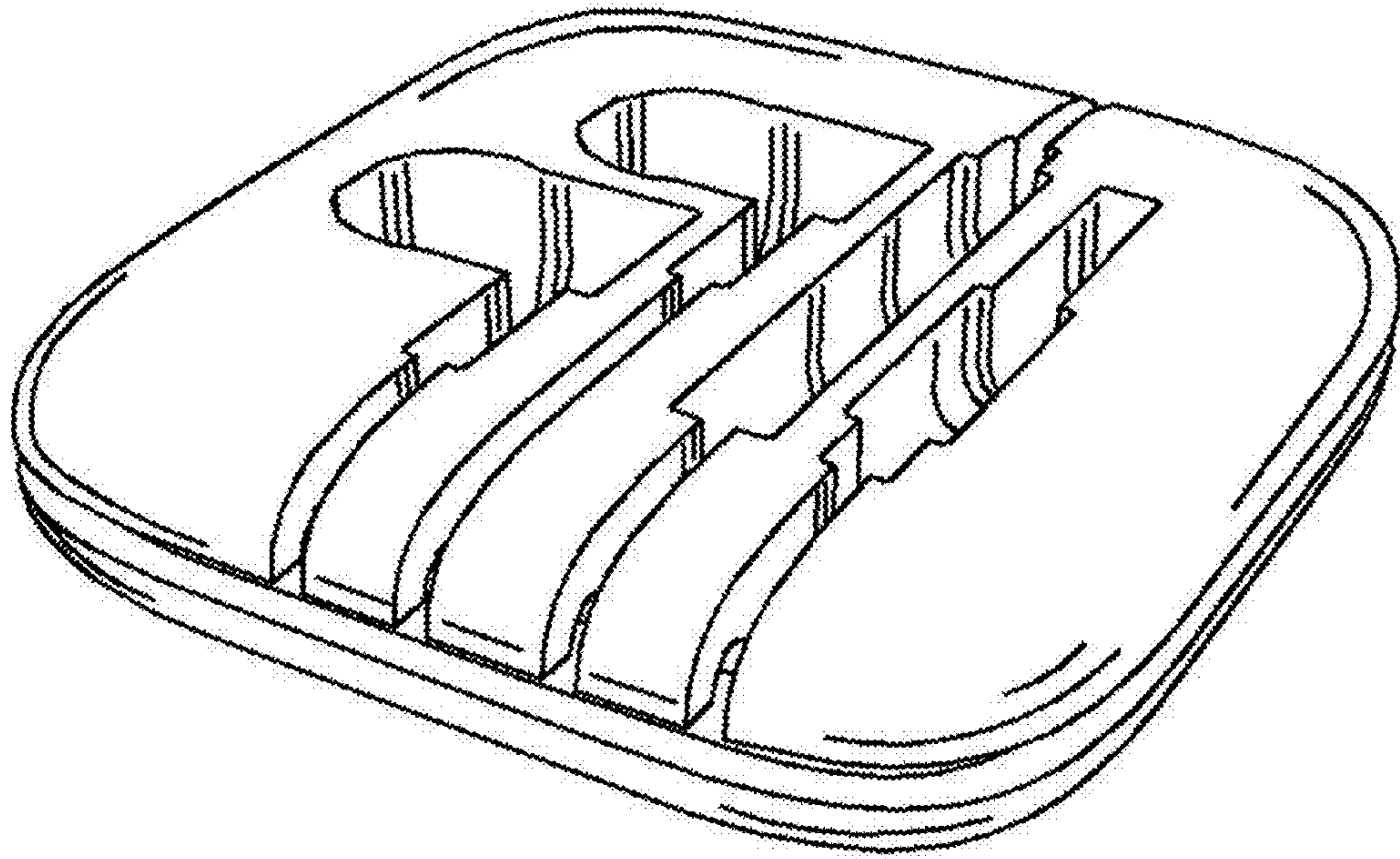


FIG. 7

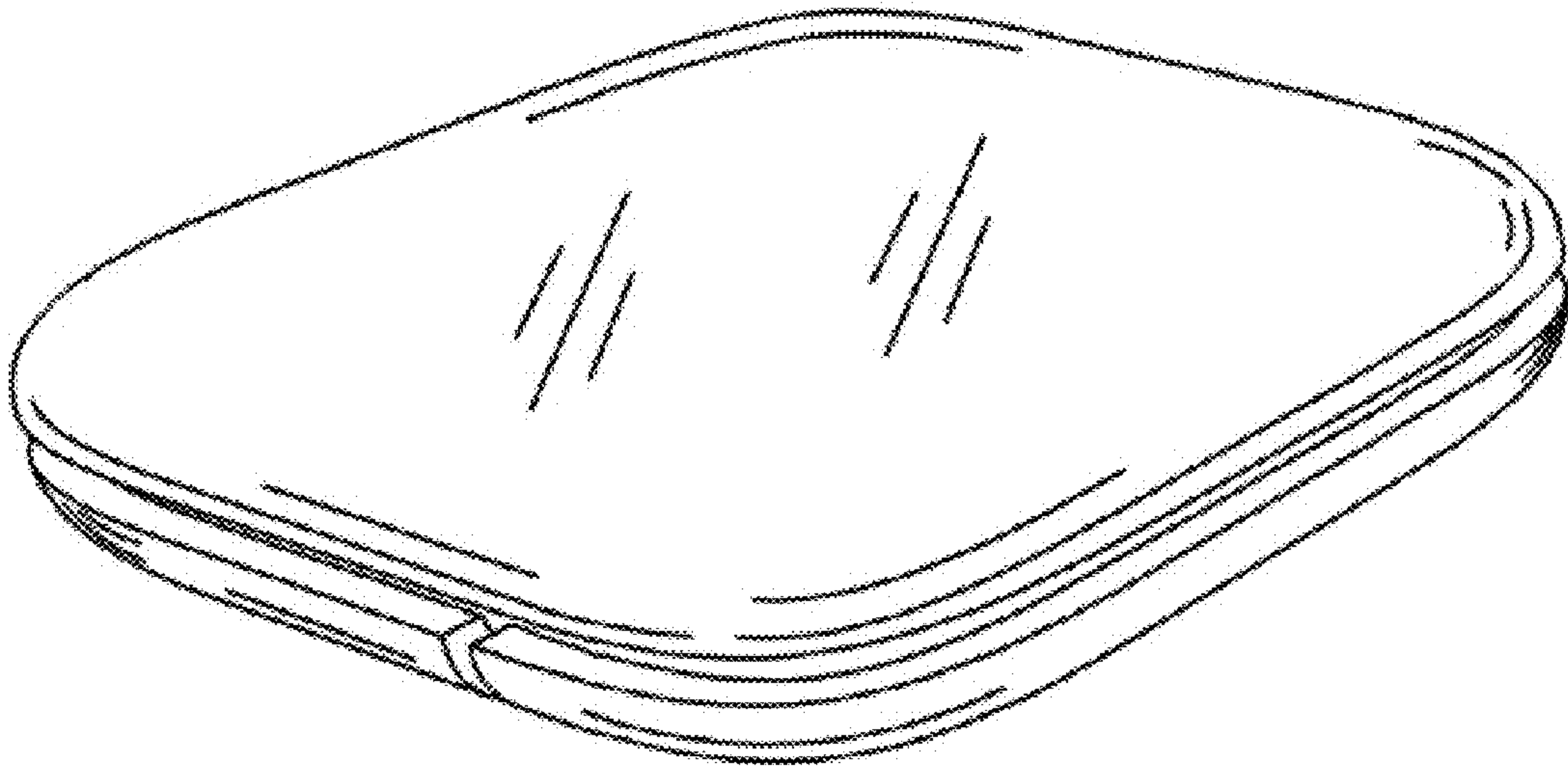


FIG. 8

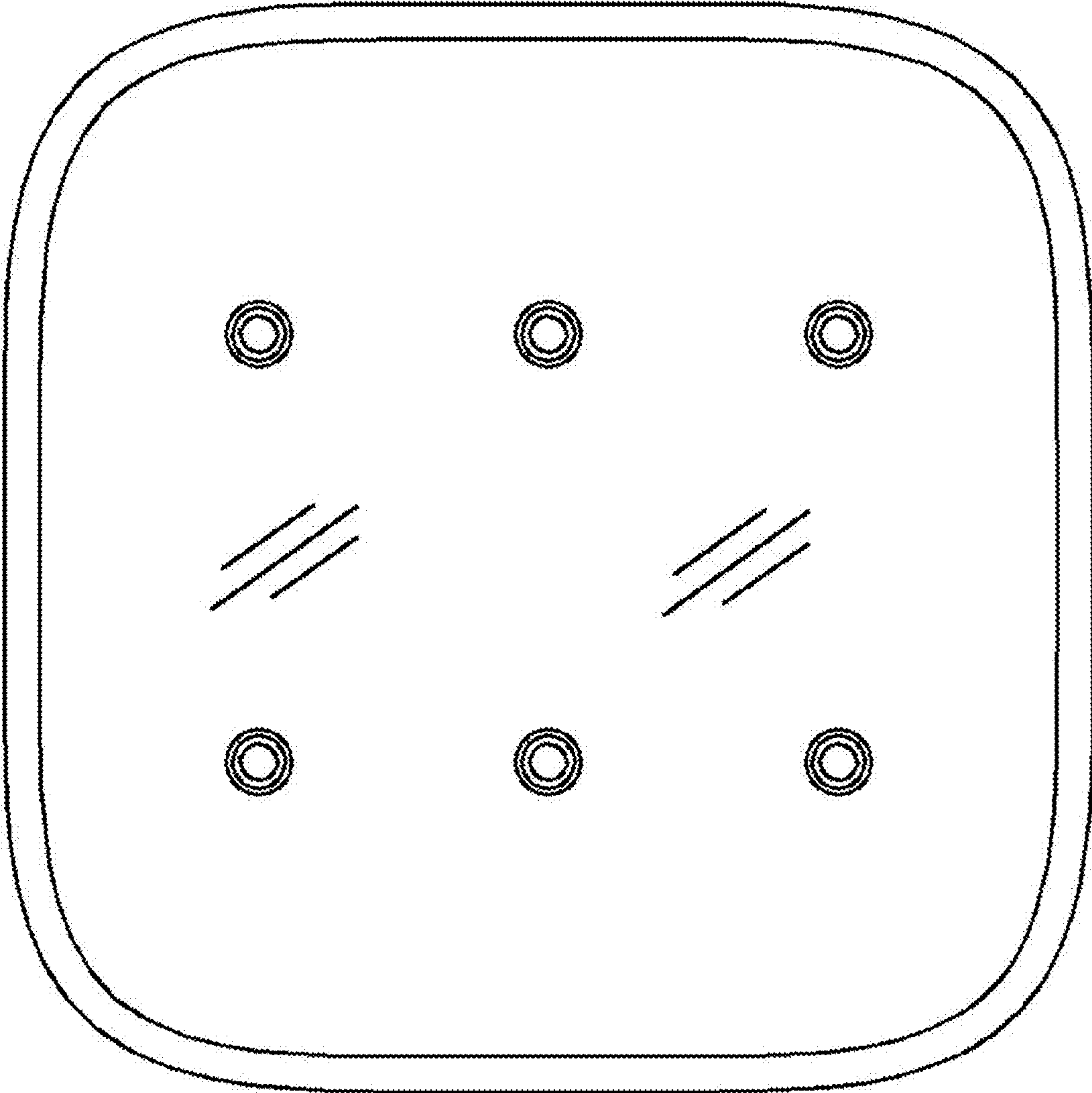


FIG. 9

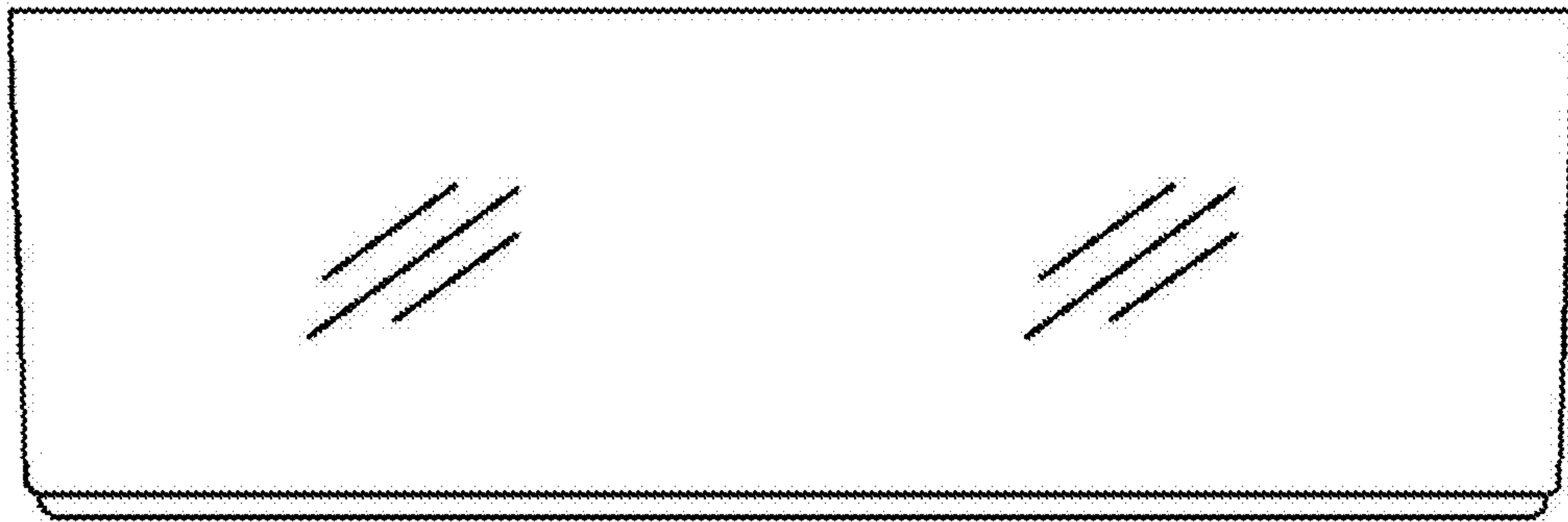


FIG. 10

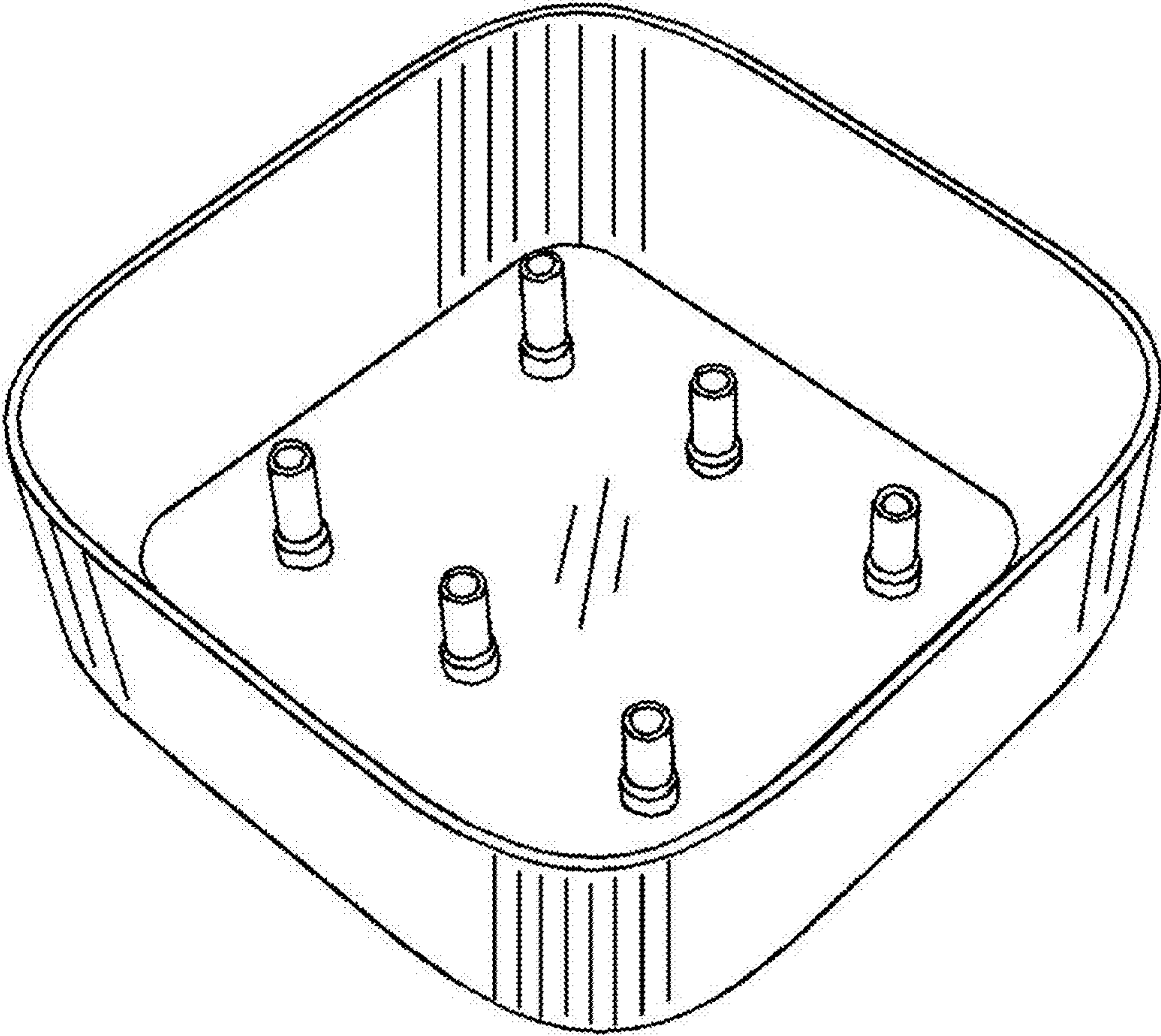


FIG. 11



FIG. 12

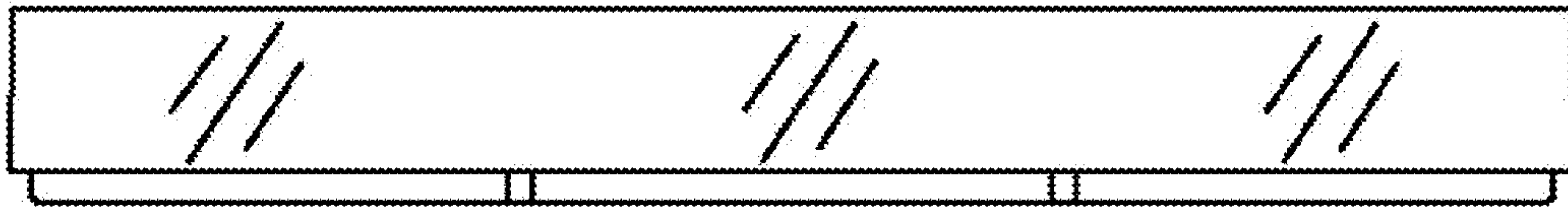


FIG. 13

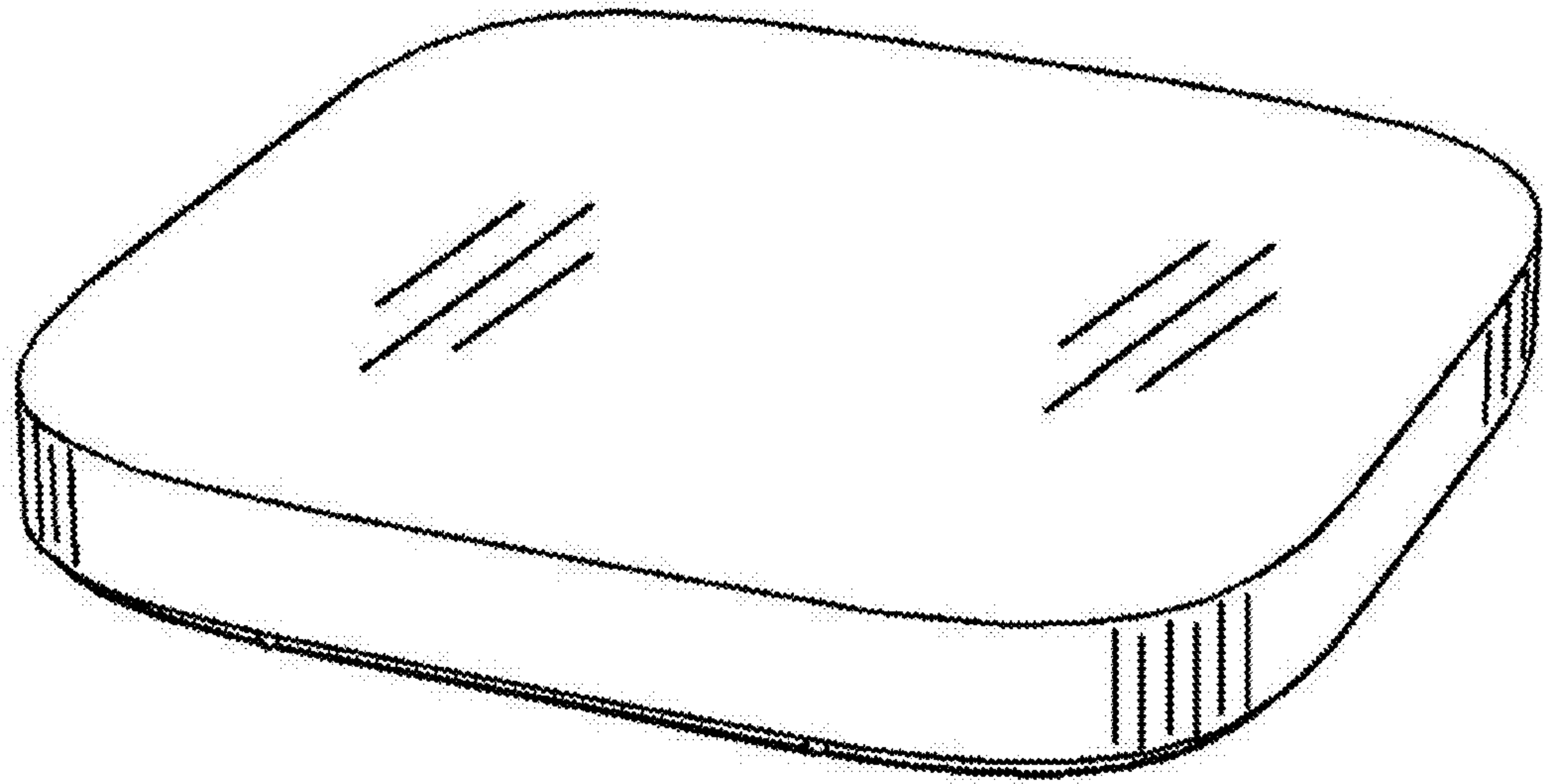


FIG. 14

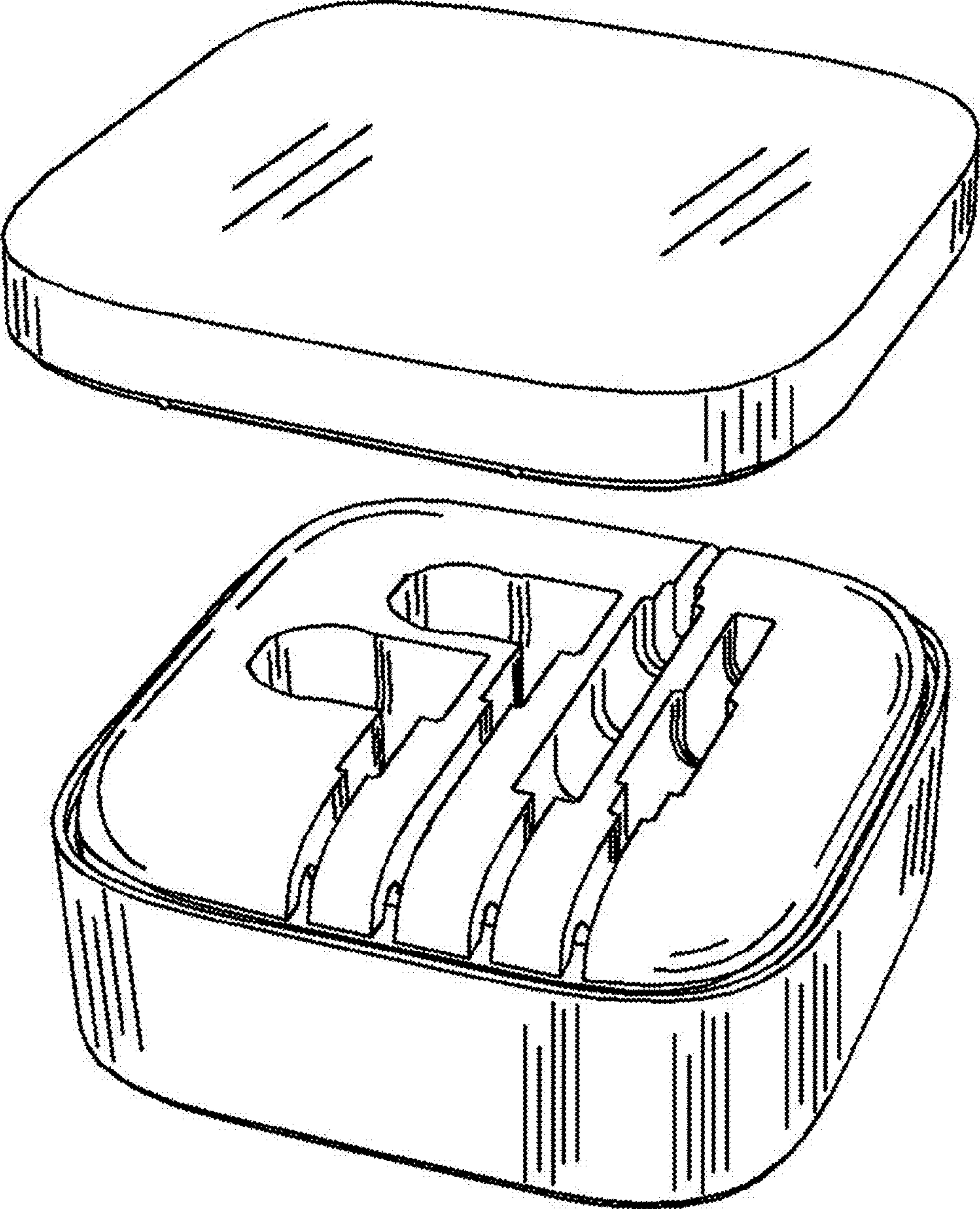


FIG. 15

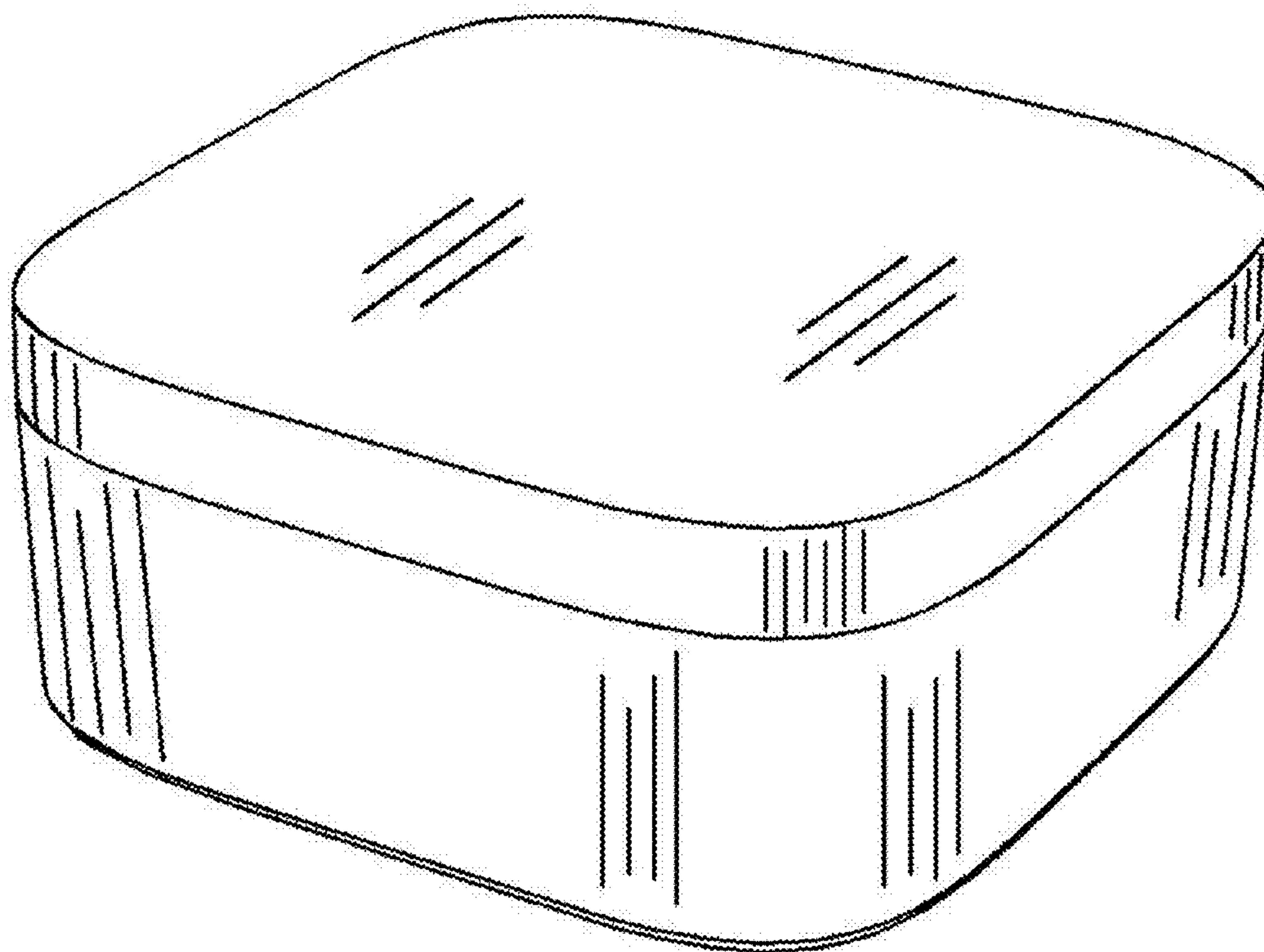


FIG. 16