



US00D739654S

(12) **United States Design Patent**
Brouard

(10) **Patent No.:** **US D739,654 S**

(45) **Date of Patent:** **** Sep. 29, 2015**

(54) **HARD BOTTOM TOTE**

(71) Applicant: **Veto Pro Pac, LLC**, Norwalk, CT (US)

(72) Inventor: **Roger Brouard**, Norwalk, CT (US)

(73) Assignee: **Veto Pro Pac, LLC**, Norwalk, CT (US)

(**) Term: **14 Years**

(21) Appl. No.: **29/479,668**

(22) Filed: **Jan. 17, 2014**

(51) **LOC (10) Cl.** **03-01**

(52) **U.S. Cl.**
USPC **D3/276; D3/905**

(58) **Field of Classification Search**
USPC D3/276, 283–284, 287, 289, 304, 315,
D3/905, 246, 286; 206/372–373; 190/103,
190/109–111, 126, 903; 224/153, 191,
224/575–576, 581, 682; 150/113, 117;
383/40

See application file for complete search history.

(56) **References Cited**

U.S. PATENT DOCUMENTS

D334,839 S * 4/1993 Dancyger D3/303
5,873,504 A * 2/1999 Farmer 224/576
6,126,003 A * 10/2000 Brouard 206/372

D447,632 S * 9/2001 Gisser D3/289
7,150,345 B2 * 12/2006 Redzisz 190/111
D648,533 S * 11/2011 Sosnovsky D3/283
D670,500 S * 11/2012 Sosnovsky D3/304
D703,438 S * 4/2014 Lee D3/285

* cited by examiner

Primary Examiner — Catheri Oliver-Garcia

(74) *Attorney, Agent, or Firm* — Alix, Yale & Ristas, LLP

(57) **CLAIM**

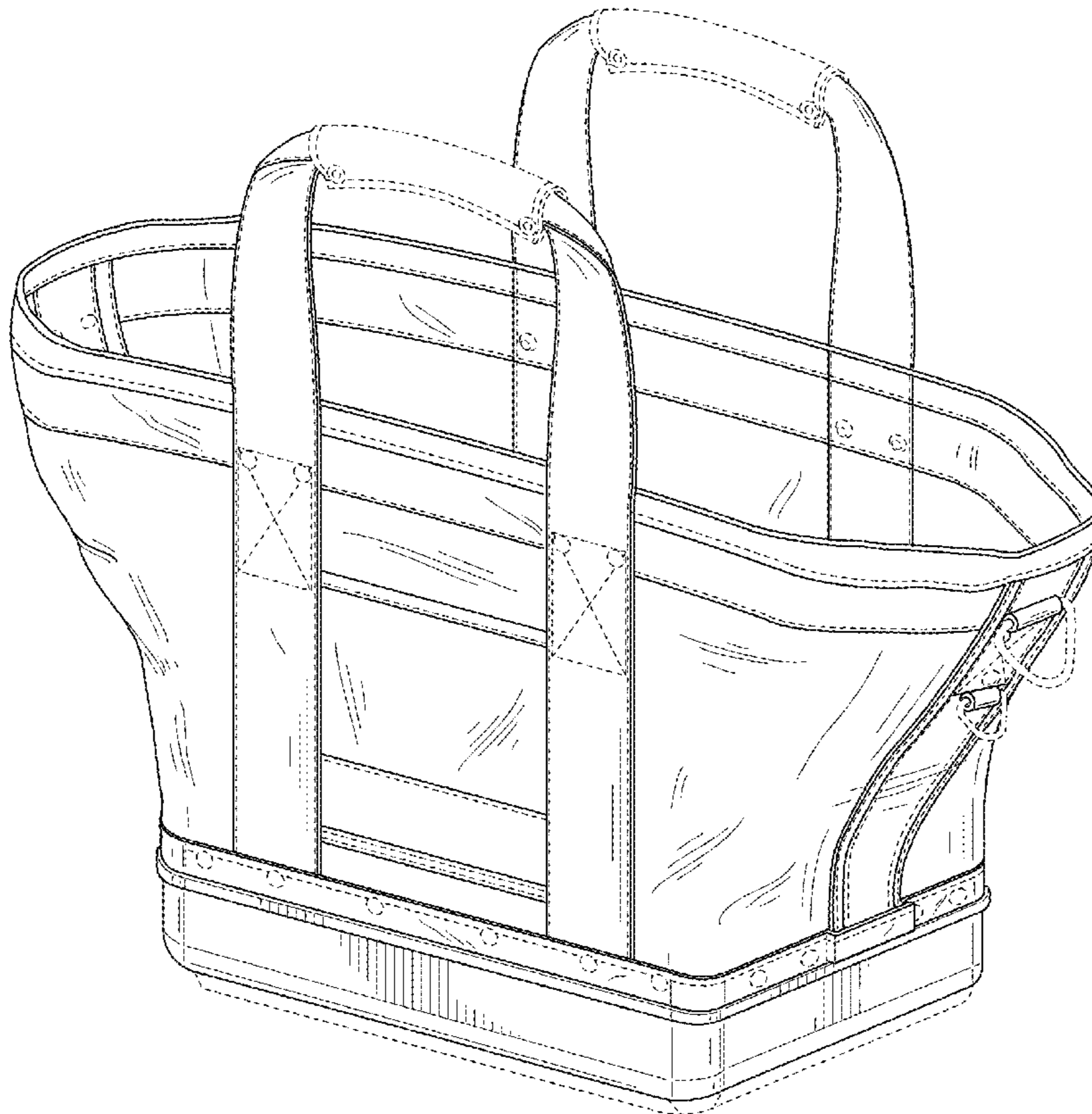
The ornamental design for hard bottom tote, as shown and described.

DESCRIPTION

FIG. 1 is a front perspective view of a hard bottom tote showing my new design;
FIG. 2 is a front elevation view of the hard bottom tote of FIG. 1;
FIG. 3 is a rear elevation view of the hard bottom tote of FIG. 1;
FIG. 4 is a left end view of the hard bottom tote of FIG. 1;
FIG. 5 is a right end view of the hard bottom tote of FIG. 1;
FIG. 6 is a top view, looking down into the hard bottom tote of FIG. 1; and,
FIG. 7 is a bottom view, looking up at the hard bottom tote of FIG. 1.

No claim is made to the portions shown in broken lines.

1 Claim, 6 Drawing Sheets



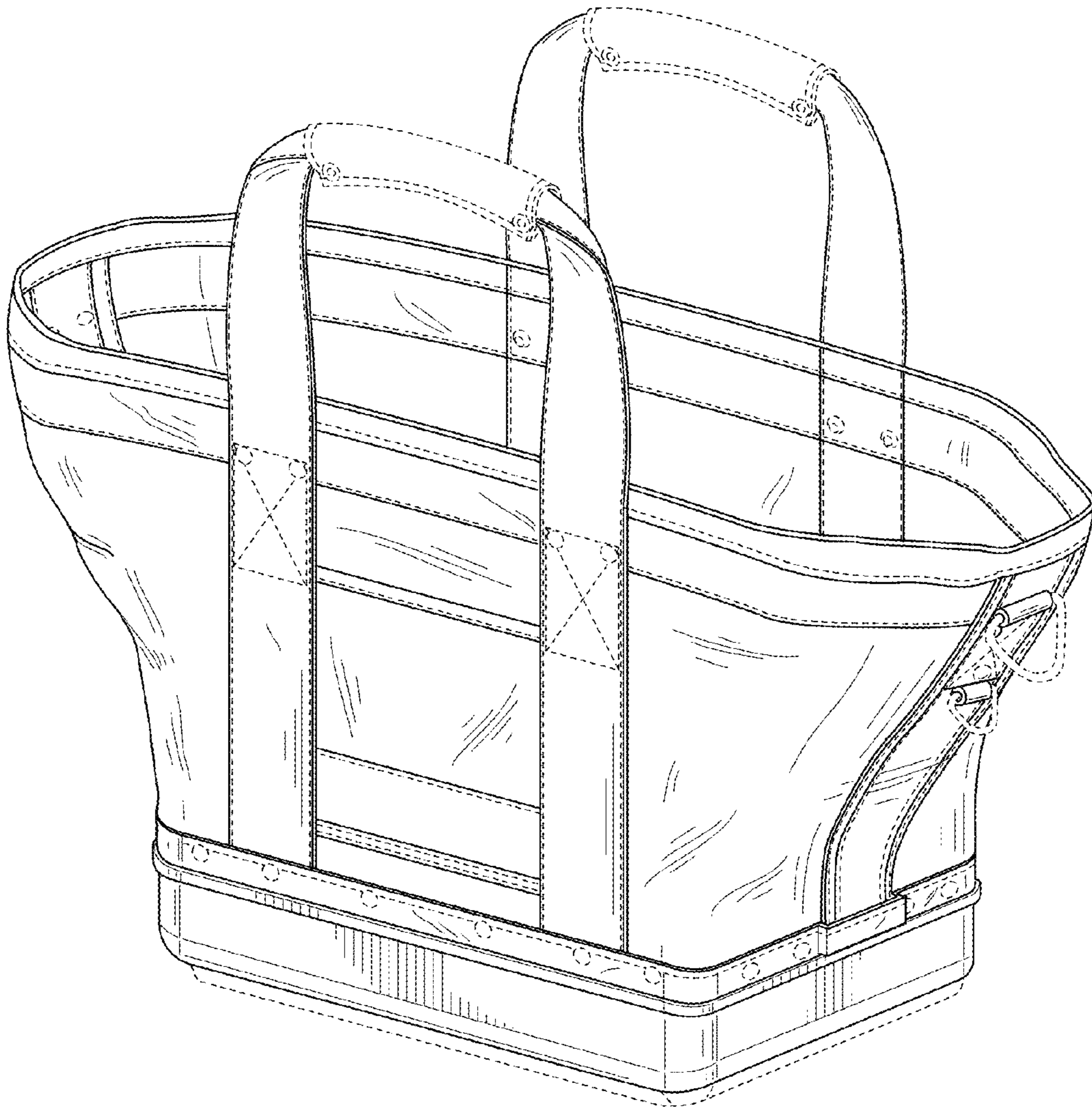


FIG. 1

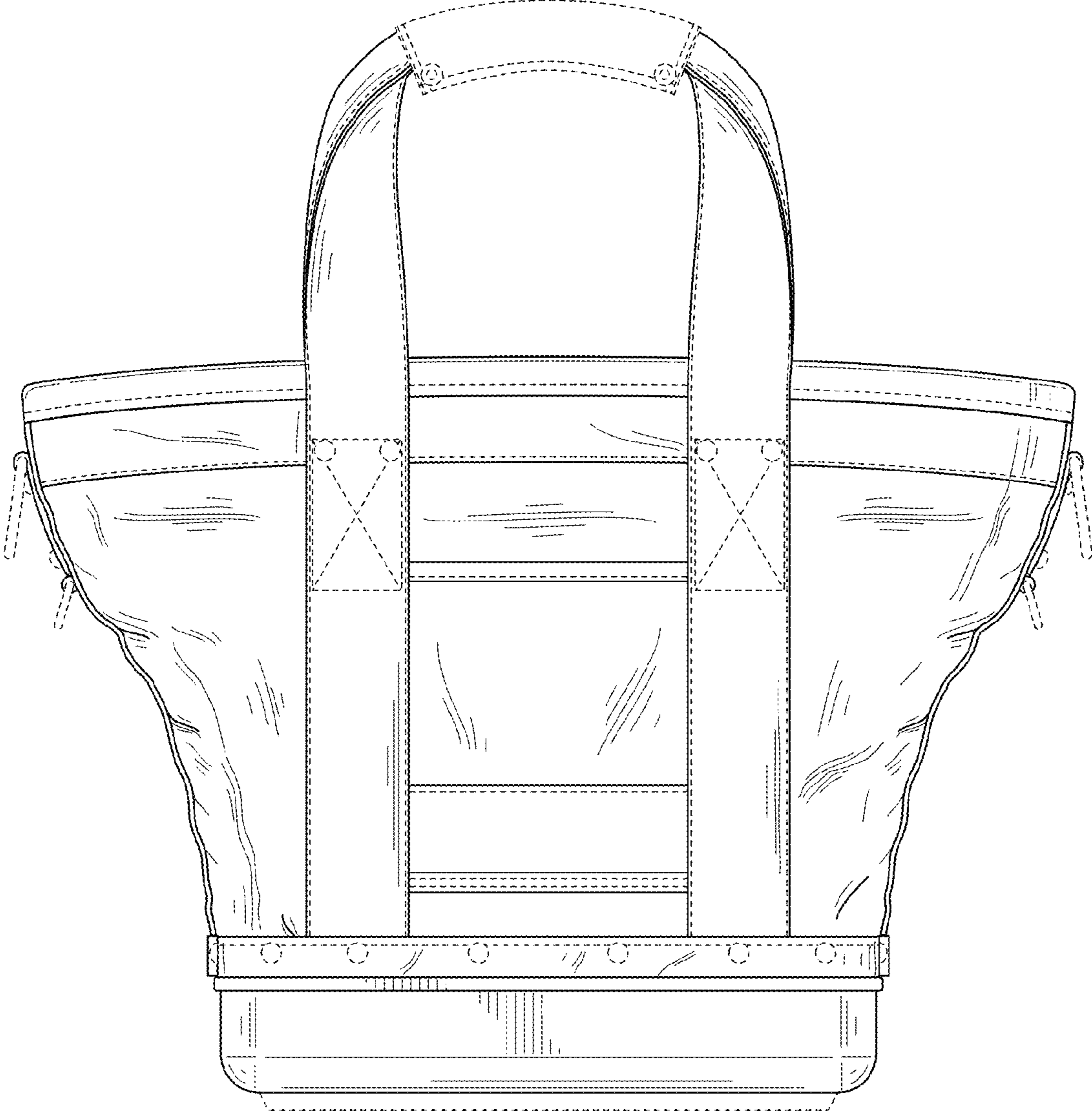


FIG. 2

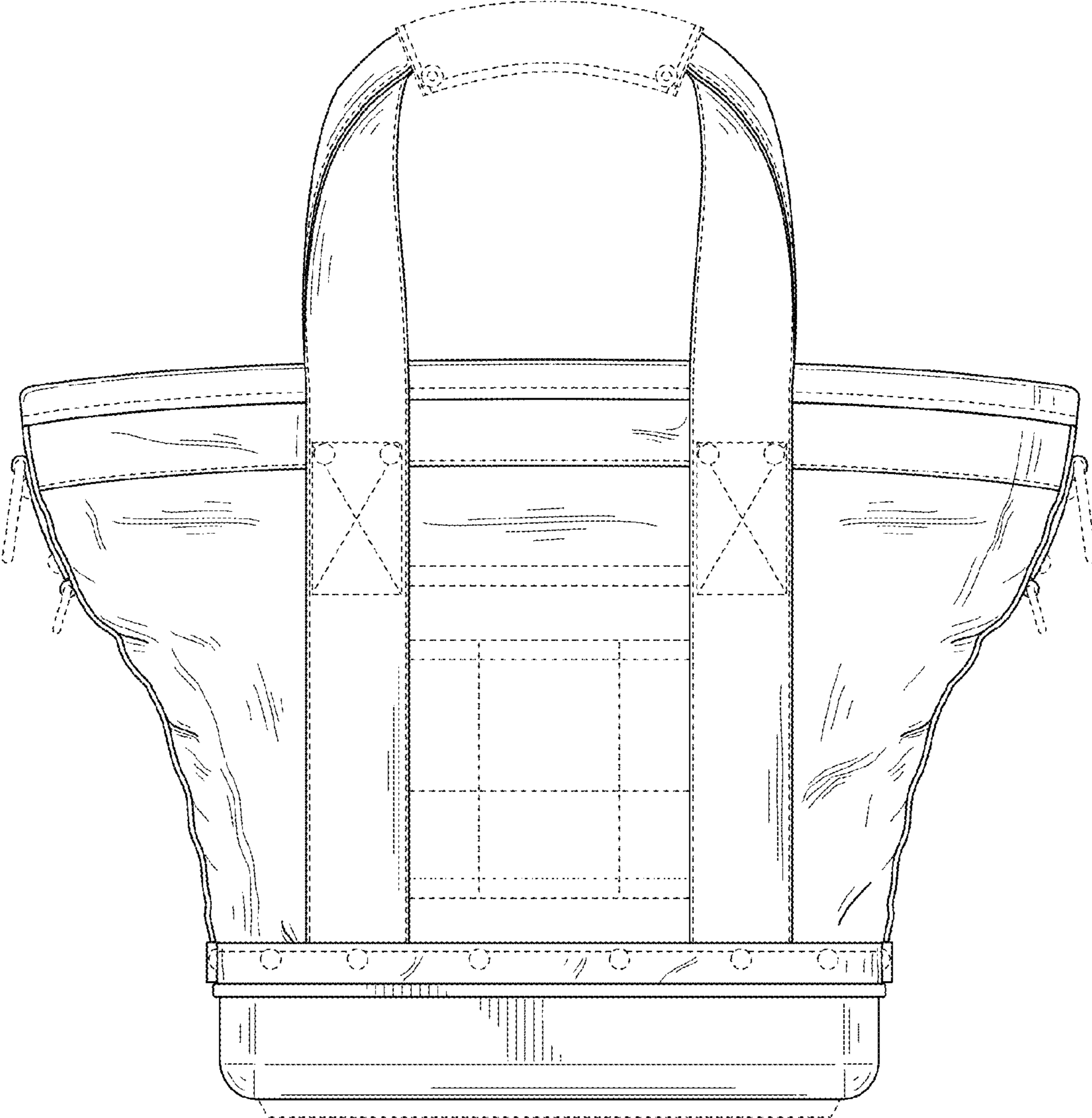


FIG. 3

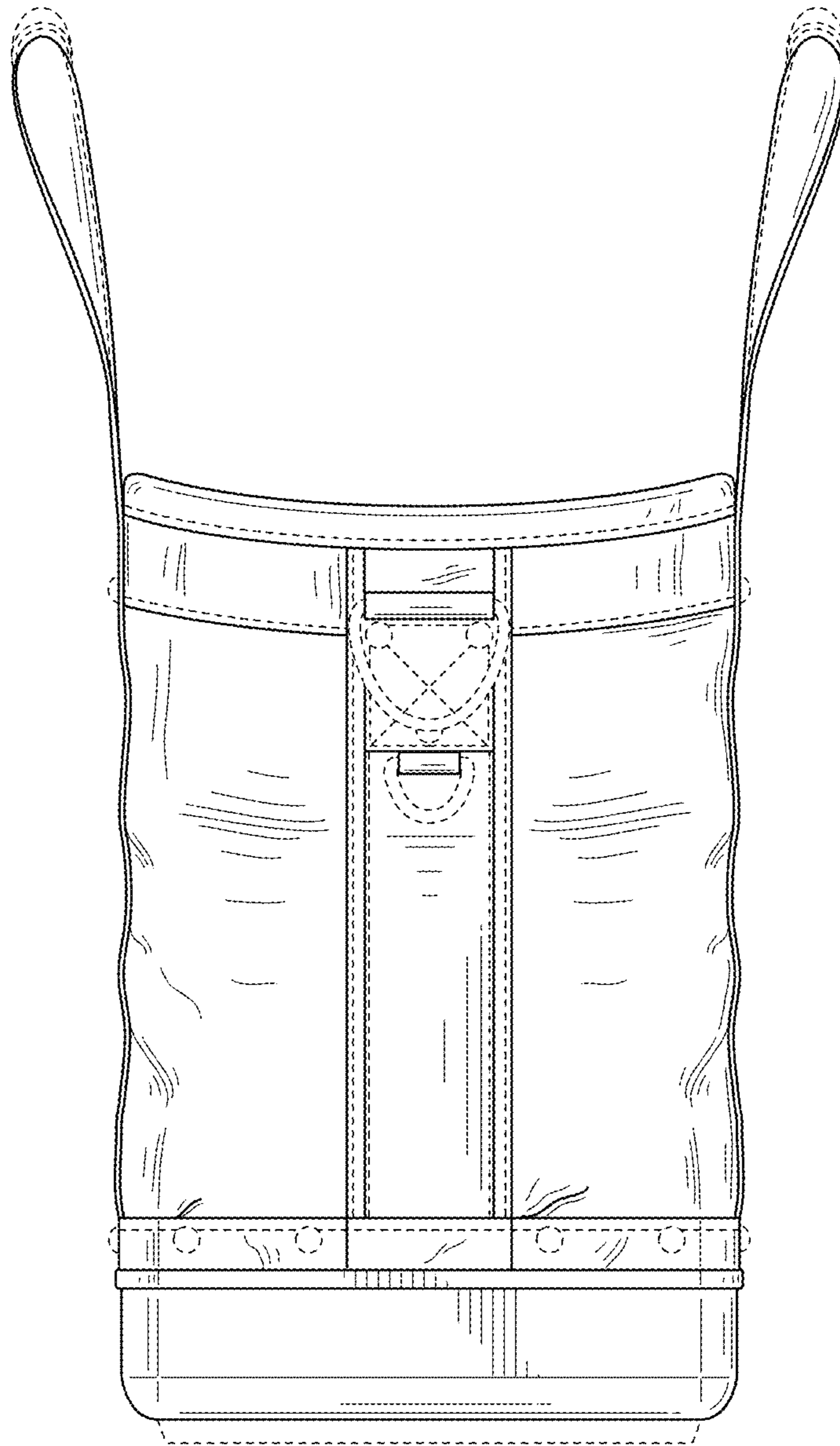


FIG. 4

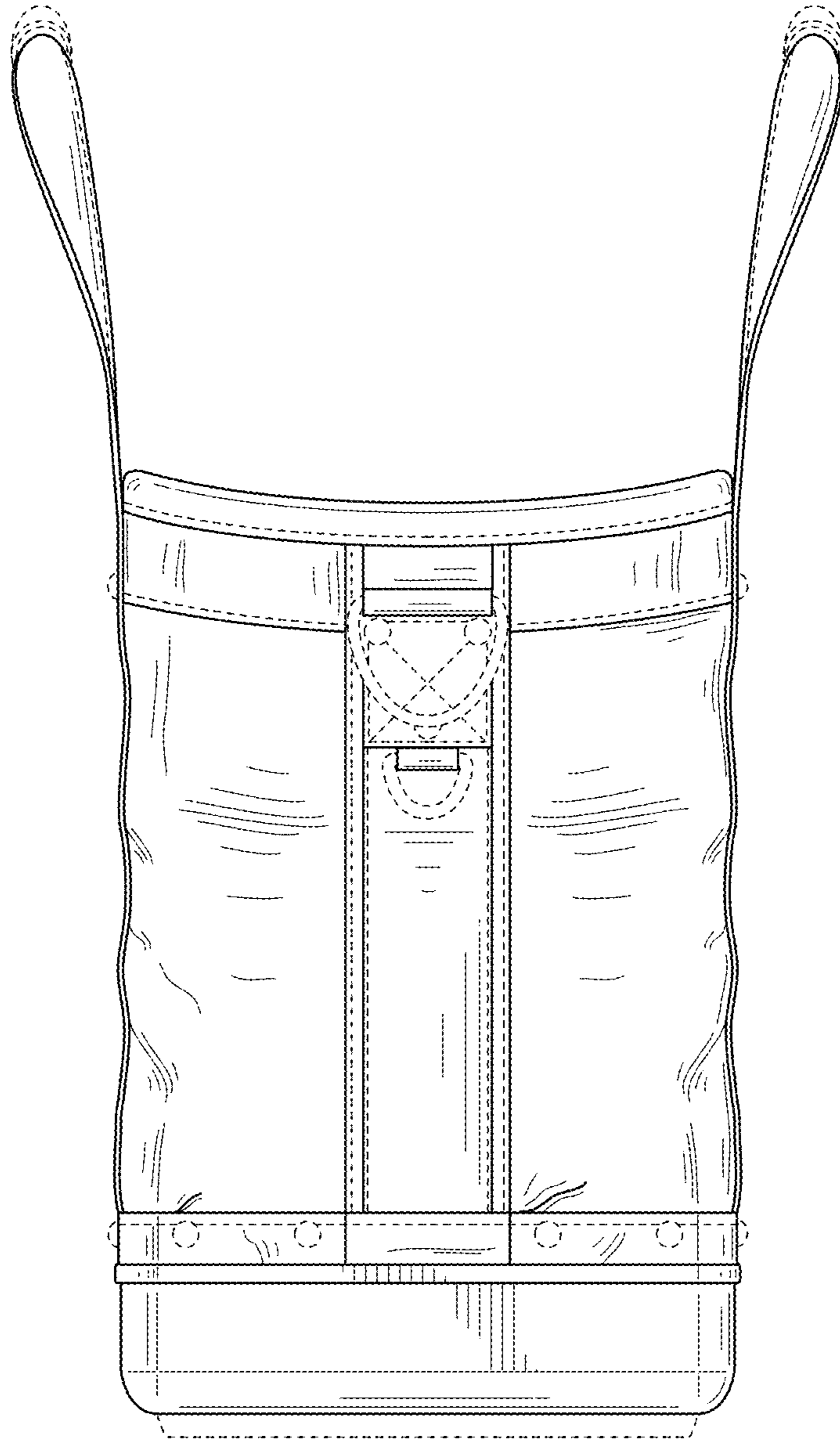


FIG. 5

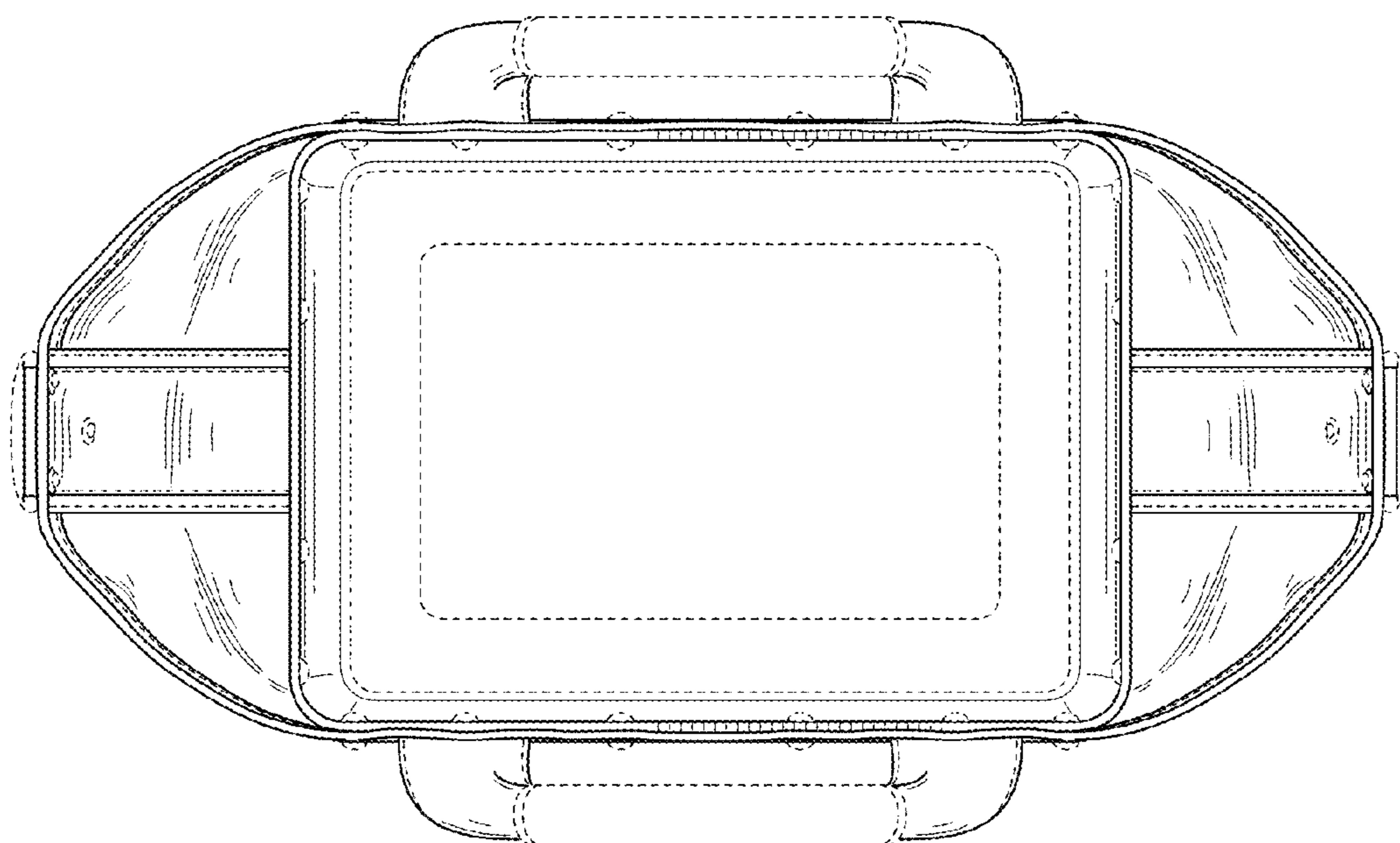


FIG. 6

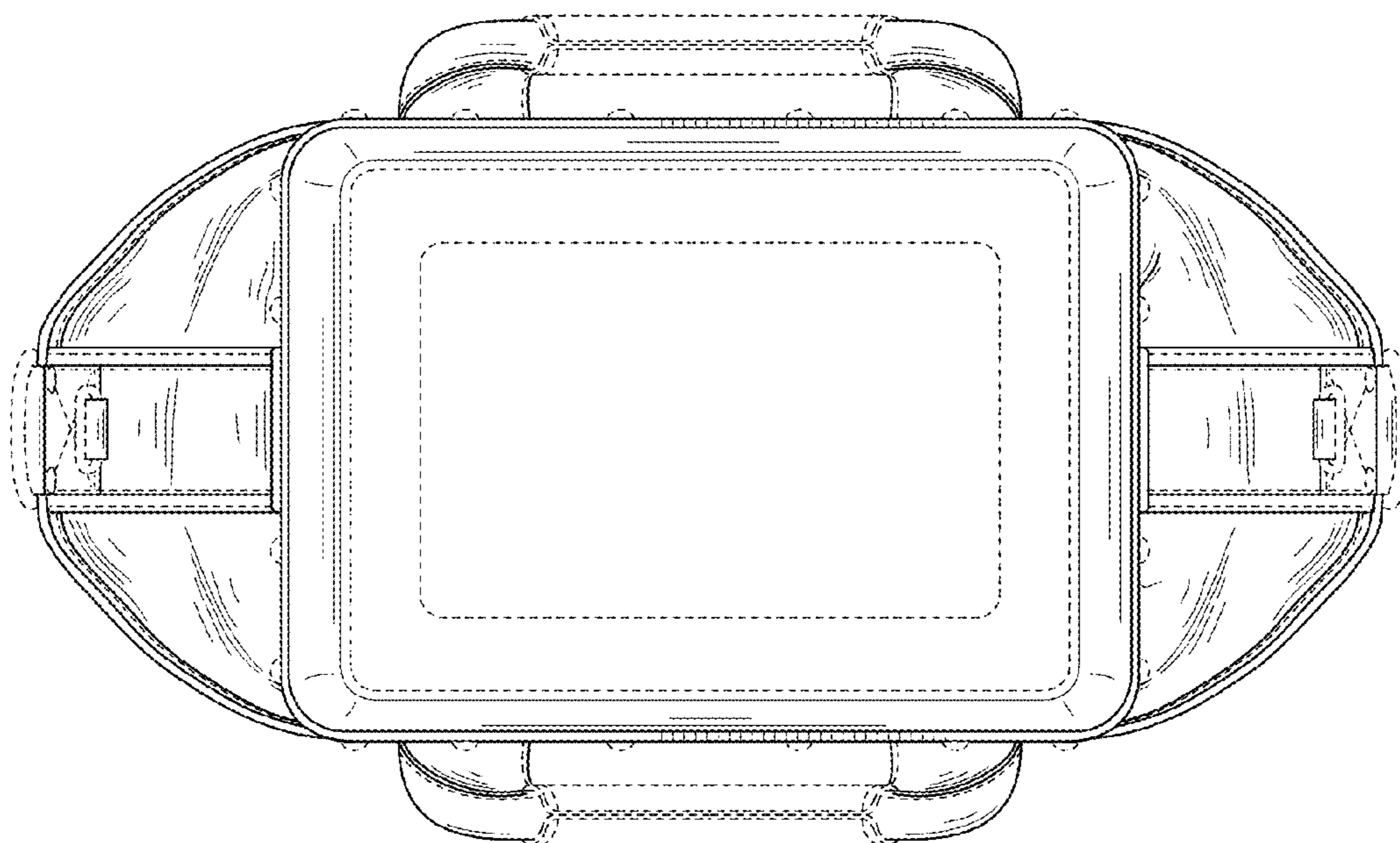


FIG. 7