



US00D739647S

(12) **United States Design Patent**  
**House**

(10) **Patent No.:** **US D739,647 S**

(45) **Date of Patent:** **\*\* Sep. 29, 2015**

(54) **FOOTWEAR**

(71) Applicant: **Hallie House**, Phoenix, AZ (US)

(72) Inventor: **Hallie House**, Phoenix, AZ (US)

(73) Assignee: **Toeblooms, LLC**, Phoenix, AZ (US)

(\*\*) Term: **14 Years**

(21) Appl. No.: **29/512,146**

(22) Filed: **Dec. 17, 2014**

D598,559 S \* 8/2009 Powaser ..... D24/192  
D599,983 S \* 9/2009 Kim ..... D2/901  
D703,336 S \* 4/2014 Eldridge ..... D24/192  
2008/0022555 A1 \* 1/2008 Mor et al. .... 36/62

\* cited by examiner

*Primary Examiner* — Ian Simmons

*Assistant Examiner* — Rashida C McCoy

(74) *Attorney, Agent, or Firm* — Kenneth M. Motolenich-Salas

(57) **CLAIM**

The ornamental design for footwear, as shown and described.

**DESCRIPTION**

**Related U.S. Application Data**

(63) Continuation-in-part of application No. 13/420,845, filed on Mar. 15, 2012.

(51) **LOC (10) Cl.** ..... **02-04**

(52) **U.S. Cl.**  
USPC ..... **D2/901**; D2/900; D2/896

(58) **Field of Classification Search**  
USPC ..... D2/896, 900–907, 909, 912, 946,  
D2/972–974, 980; 36/83, 88, 91, 113–116,  
36/3 A, 7.1 R, 45, 94, 8.3; D24/190, 192  
CPC . A43B 5/12; A43B 3/00; A43B 3/102–3/108;  
A61F 5/0113  
See application file for complete search history.

(56) **References Cited**

**U.S. PATENT DOCUMENTS**

D59,046 S \* 9/1921 Tweedie ..... D2/901  
1,717,609 A \* 6/1929 Ludwig ..... 602/66  
1,930,188 A \* 10/1933 Arthur ..... 602/66  
2,237,652 A \* 4/1941 Capezio ..... 36/8.3  
2,708,930 A \* 5/1955 Lowman ..... 602/27  
4,355,801 A \* 10/1982 Thomsen ..... 482/105  
D525,417 S \* 7/2006 Kelsey ..... D2/969

FIG. 1 is a perspective view of footwear with a foot inserted therethrough;

FIG. 2 is a perspective view of footwear;

FIG. 3 is a front view thereof;

FIG. 4 is a rear view thereof;

FIG. 5 is a left side view thereof;

FIG. 6 is a right side view thereof;

FIG. 7 is a top view thereof;

FIG. 8 is a bottom view thereof;

FIG. 9 is a perspective view of footwear with a foot inserted therethrough;

FIG. 10 is a perspective view of footwear;

FIG. 11 is a front view of the footwear depicted in FIG. 10;

FIG. 12 is a rear view of the footwear depicted in FIG. 10;

FIG. 13 is a left side view of the footwear depicted in FIG. 10;

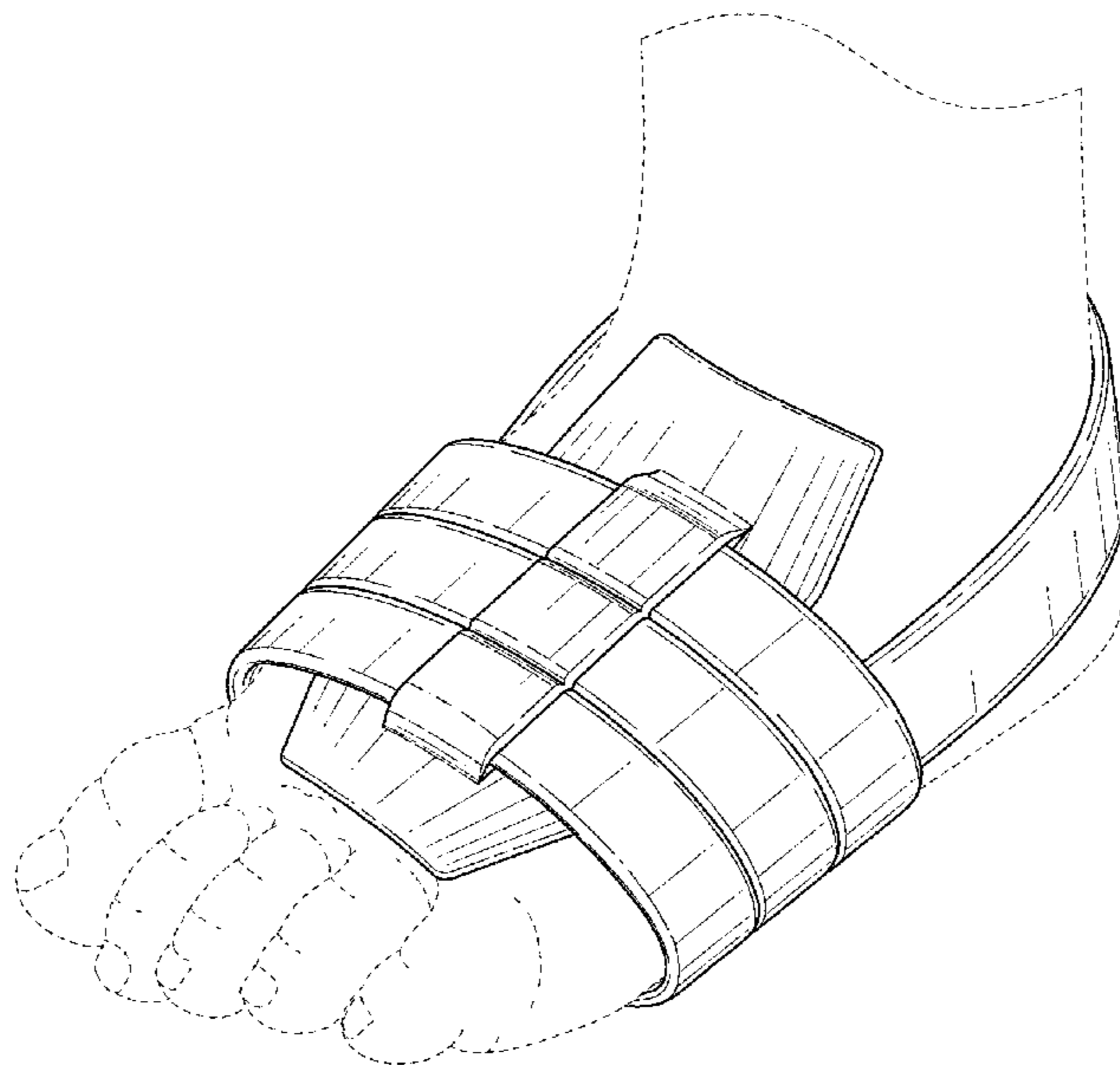
FIG. 14 is a right side view of the footwear depicted in FIG. 10;

FIG. 15 is a top view of the footwear depicted in FIG. 10; and,

FIG. 16 is a bottom view of the footwear depicted in FIG. 10.

The broken lines in the drawings represent unclaimed subject matter.

**1 Claim, 12 Drawing Sheets**



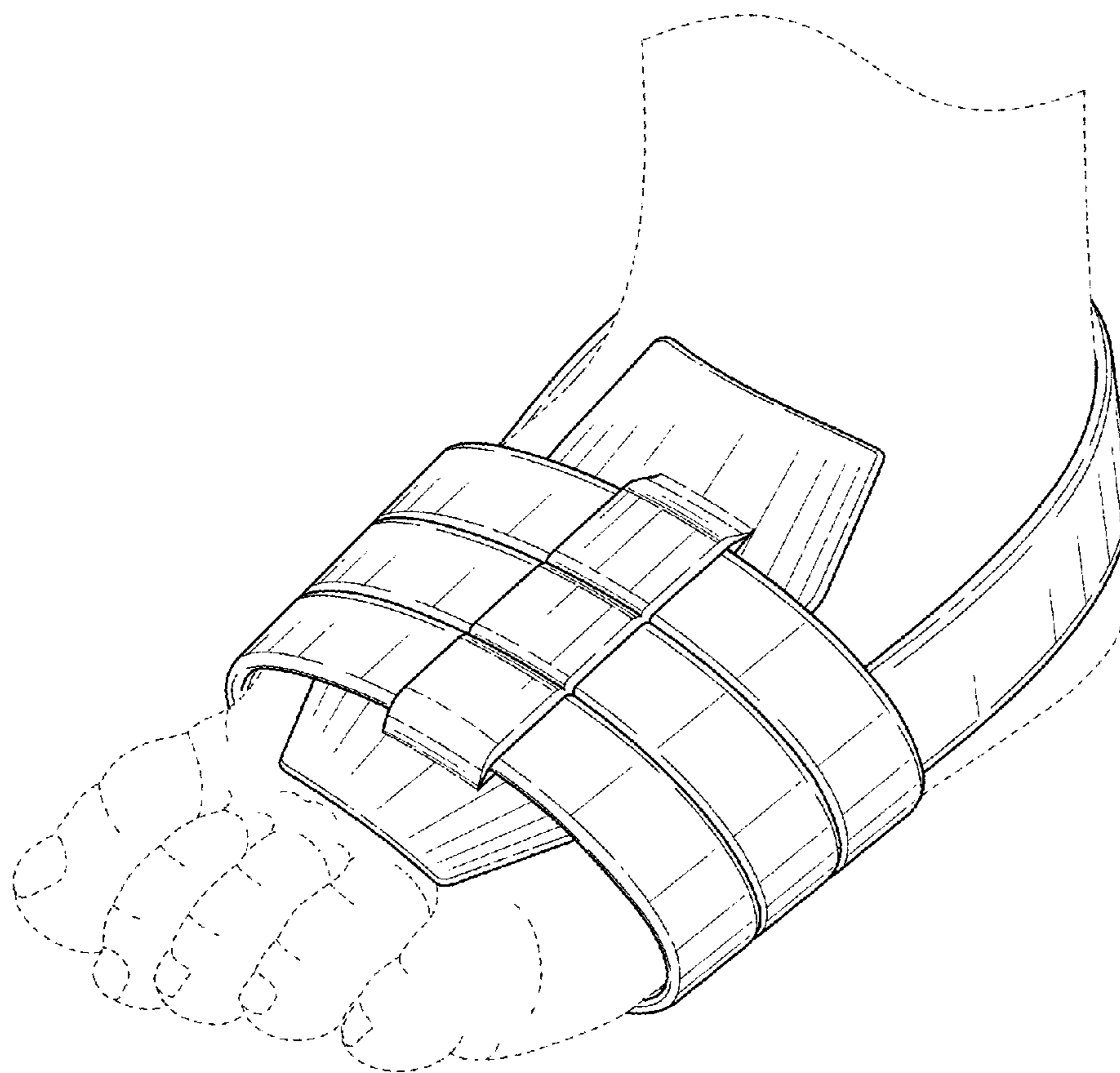


FIG. 1

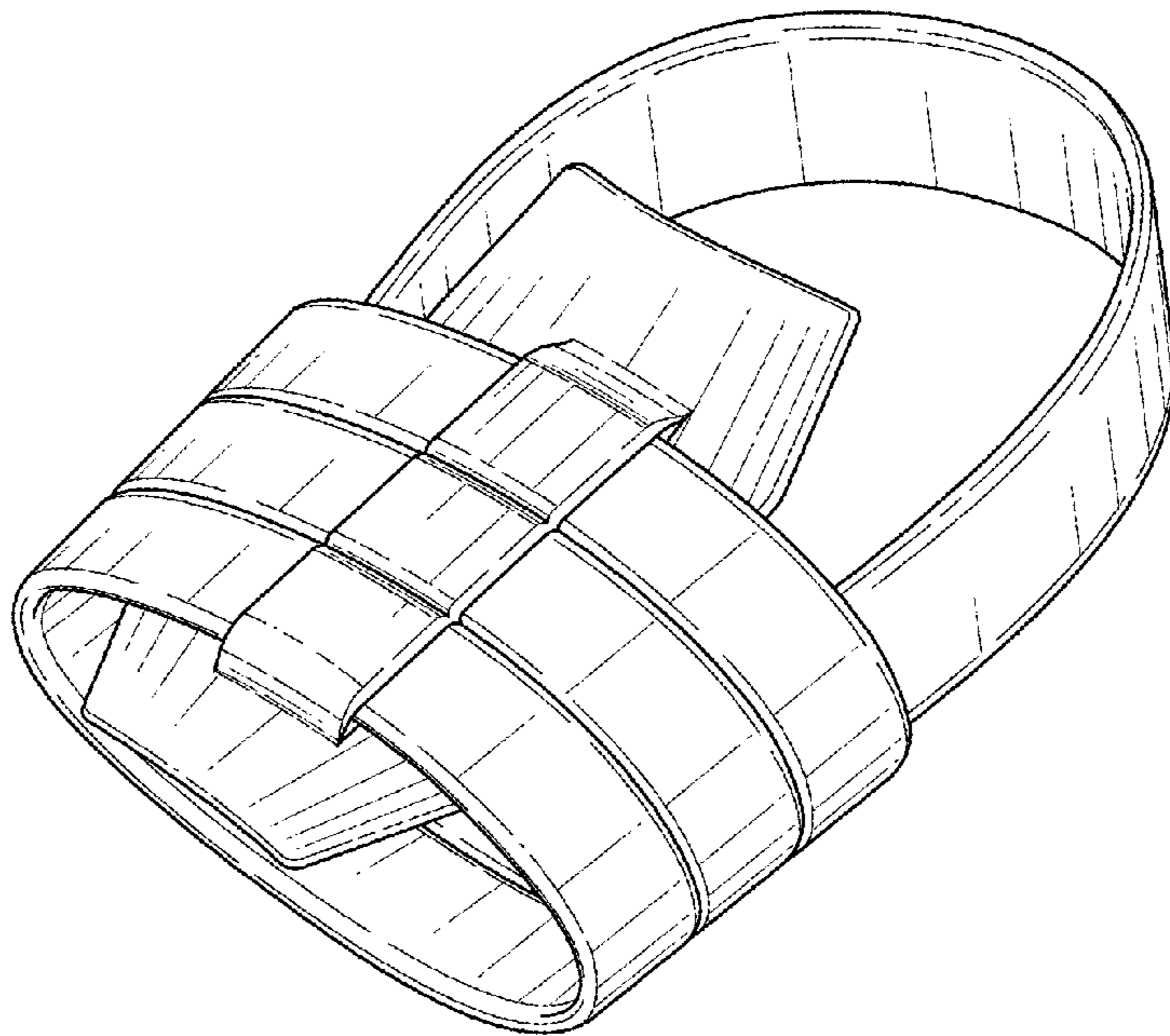


FIG. 2

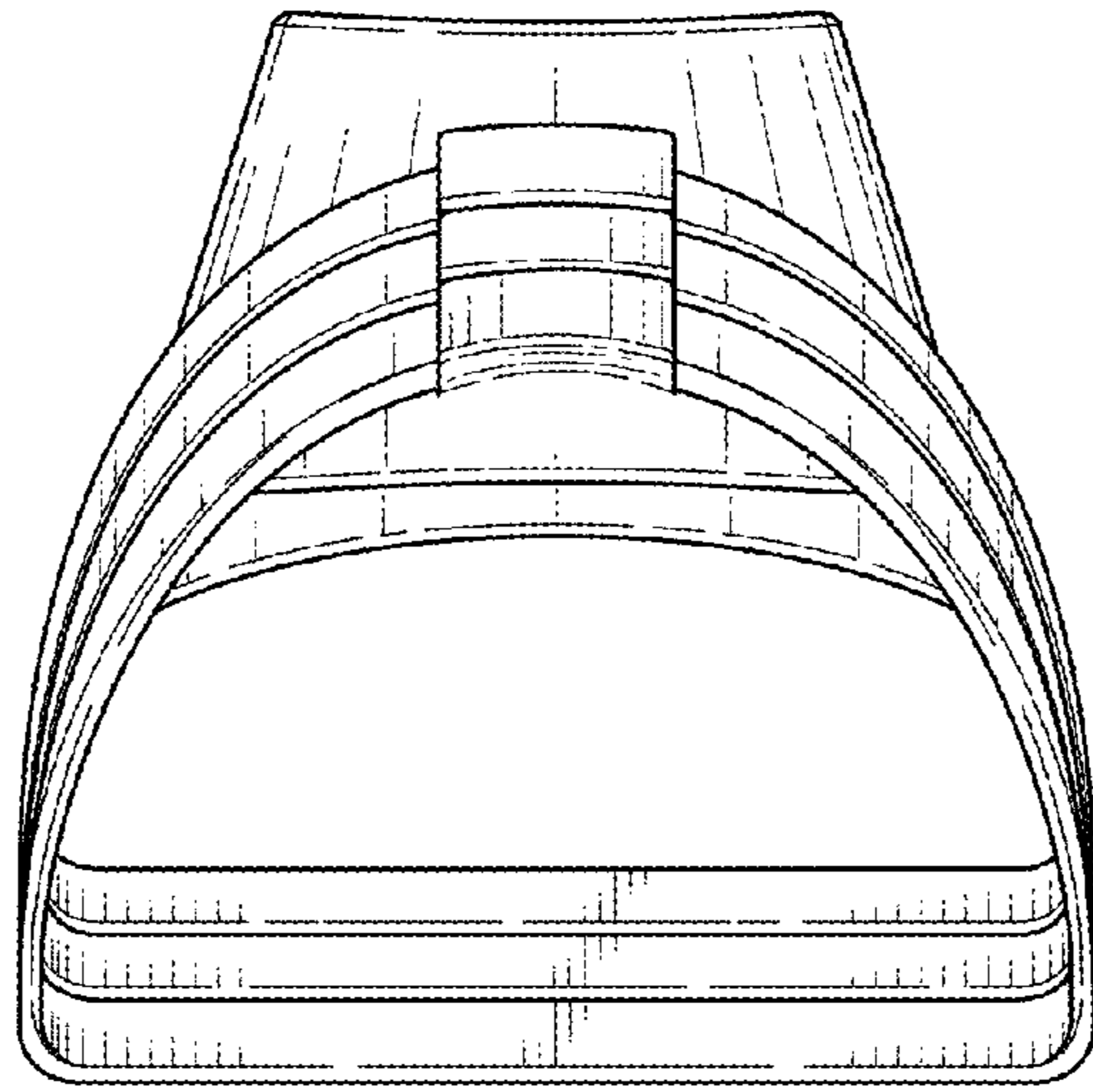


FIG. 3

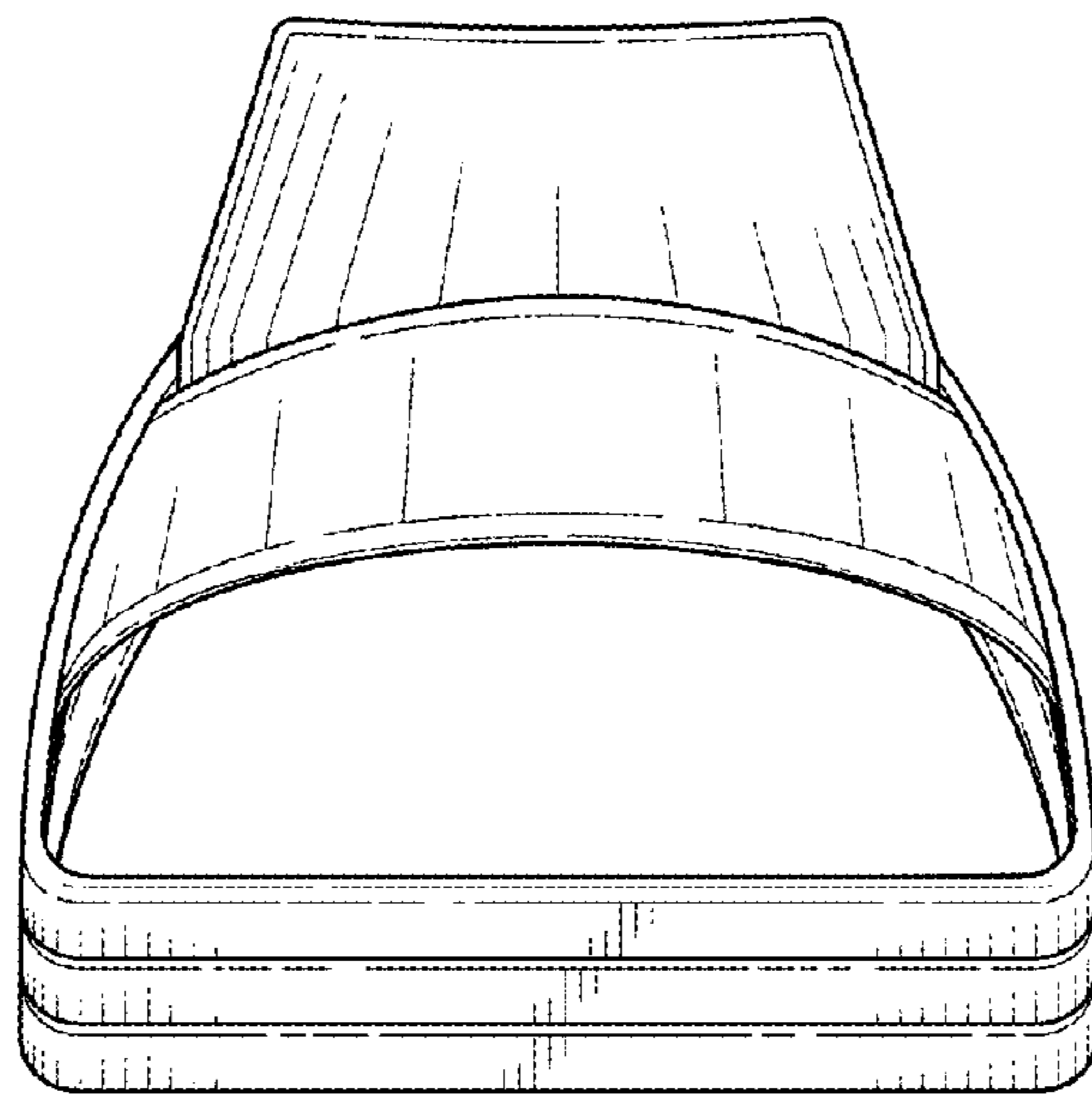


FIG. 4

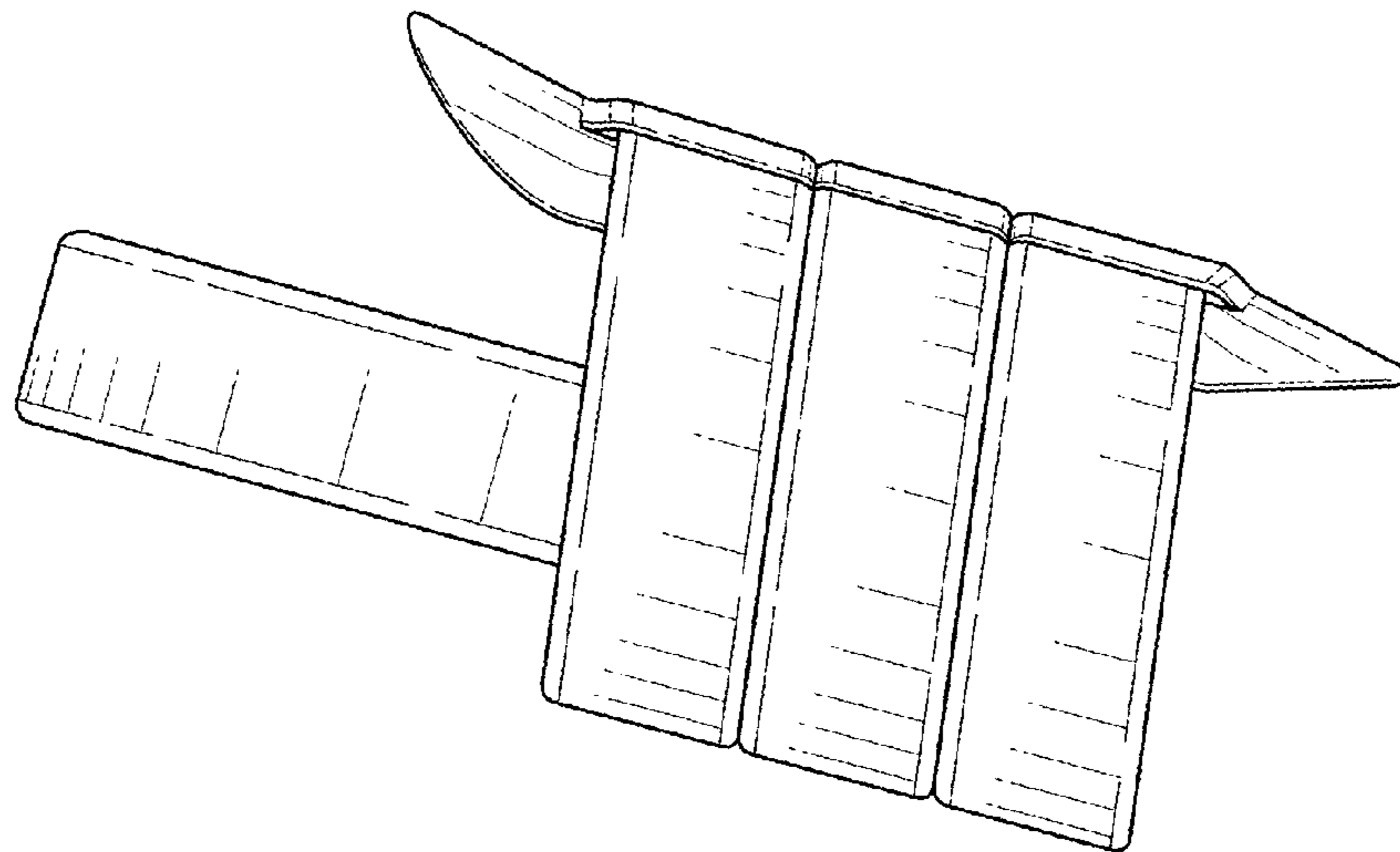


FIG. 5

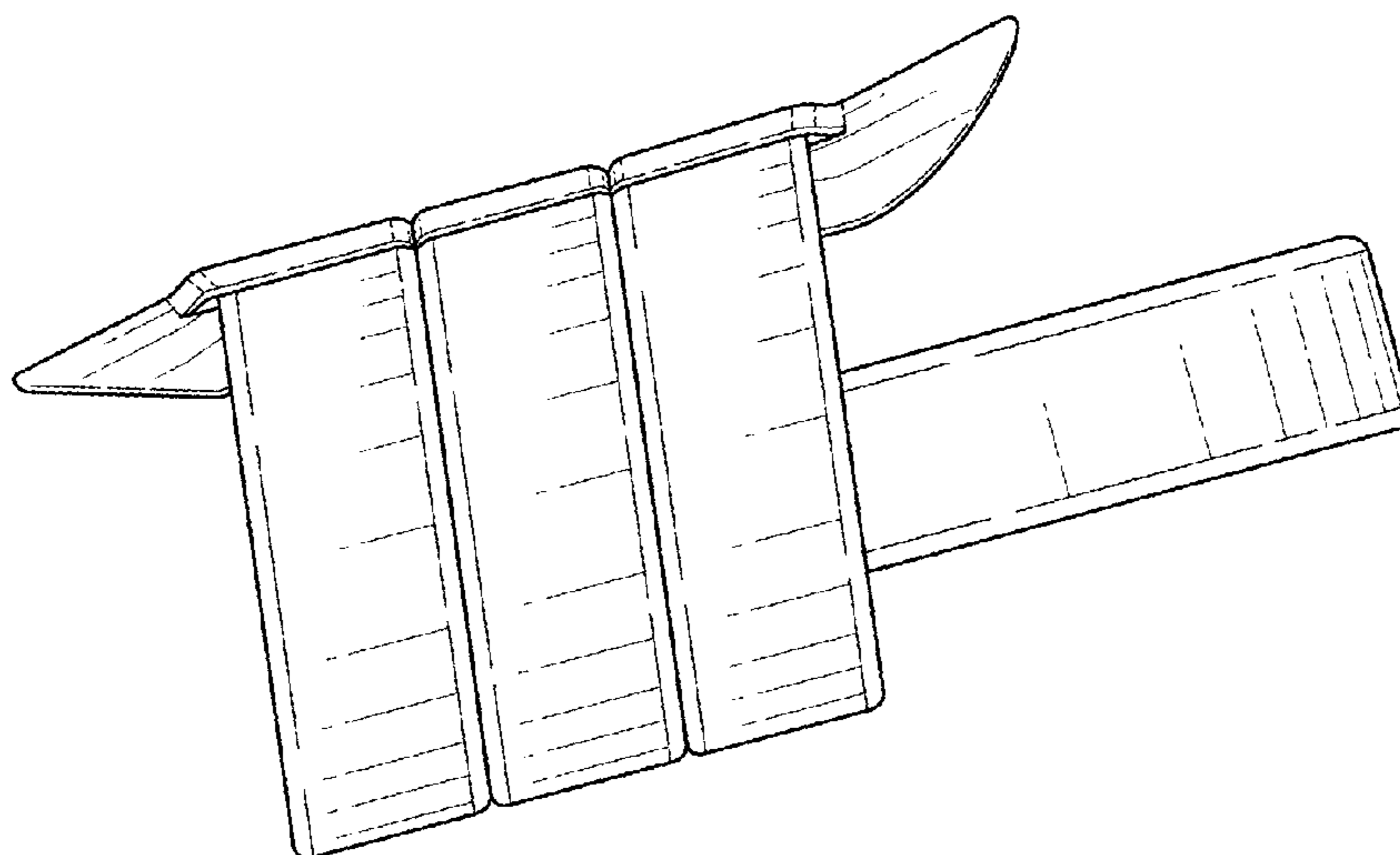


FIG. 6



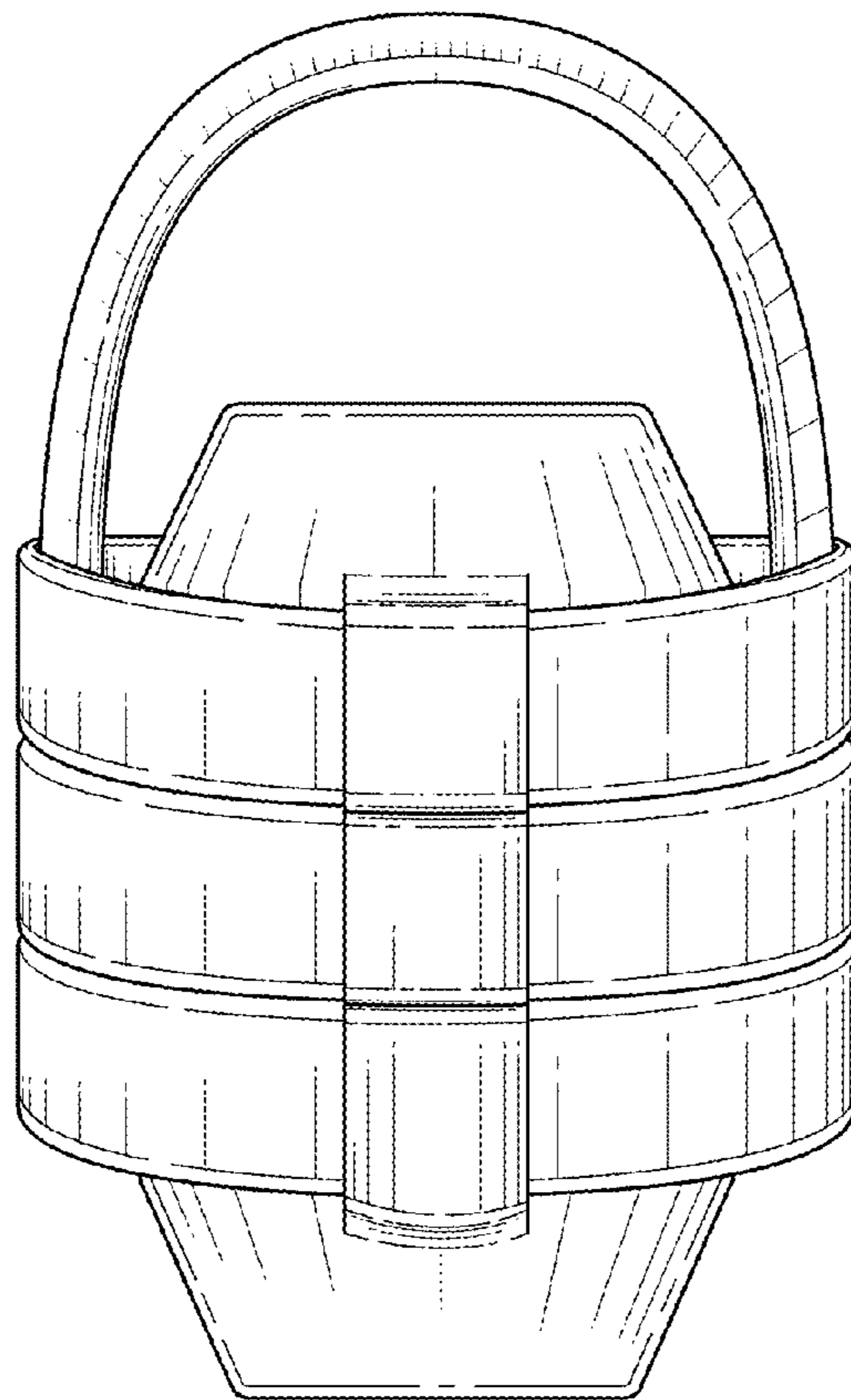


FIG. 7

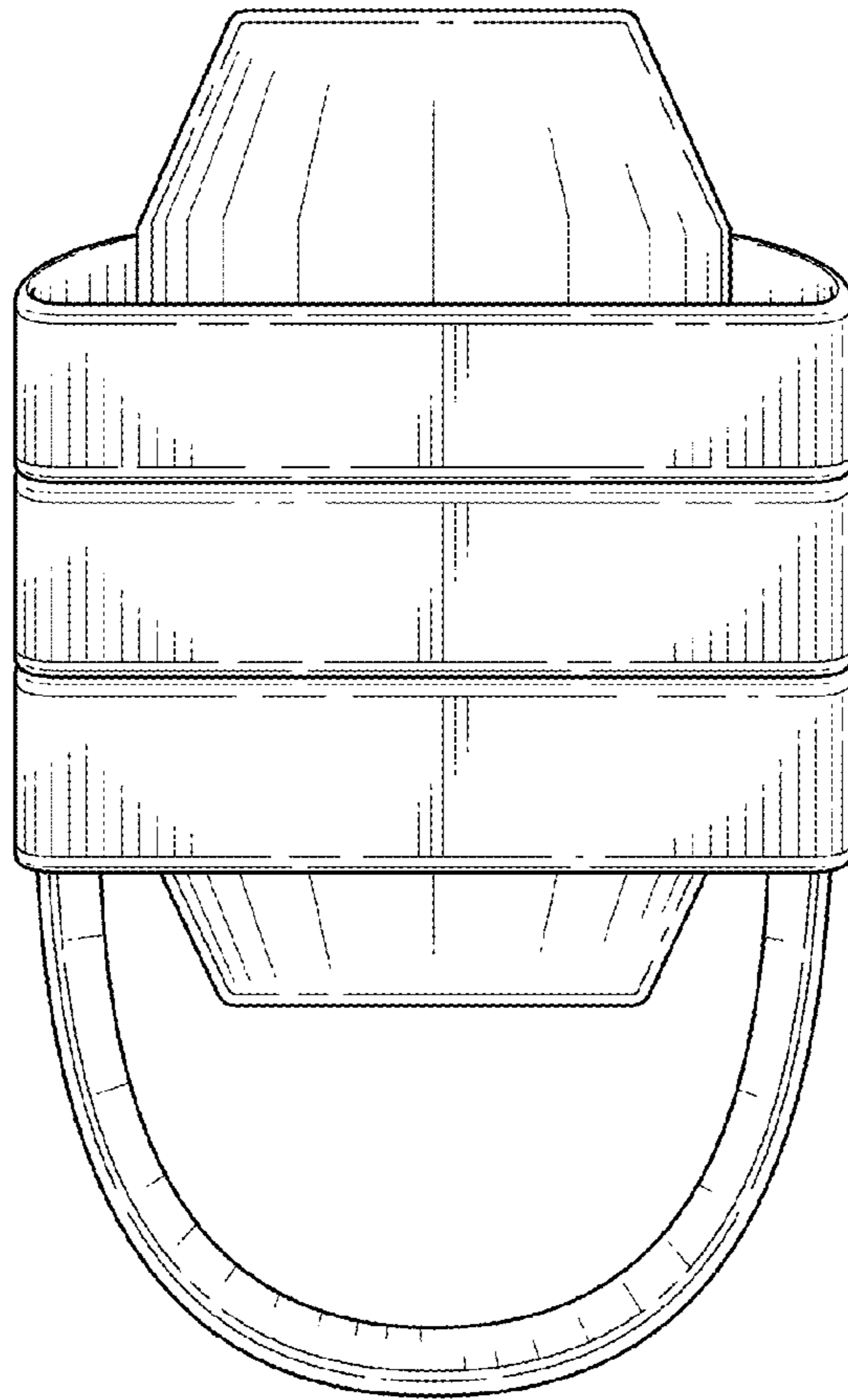


FIG. 8

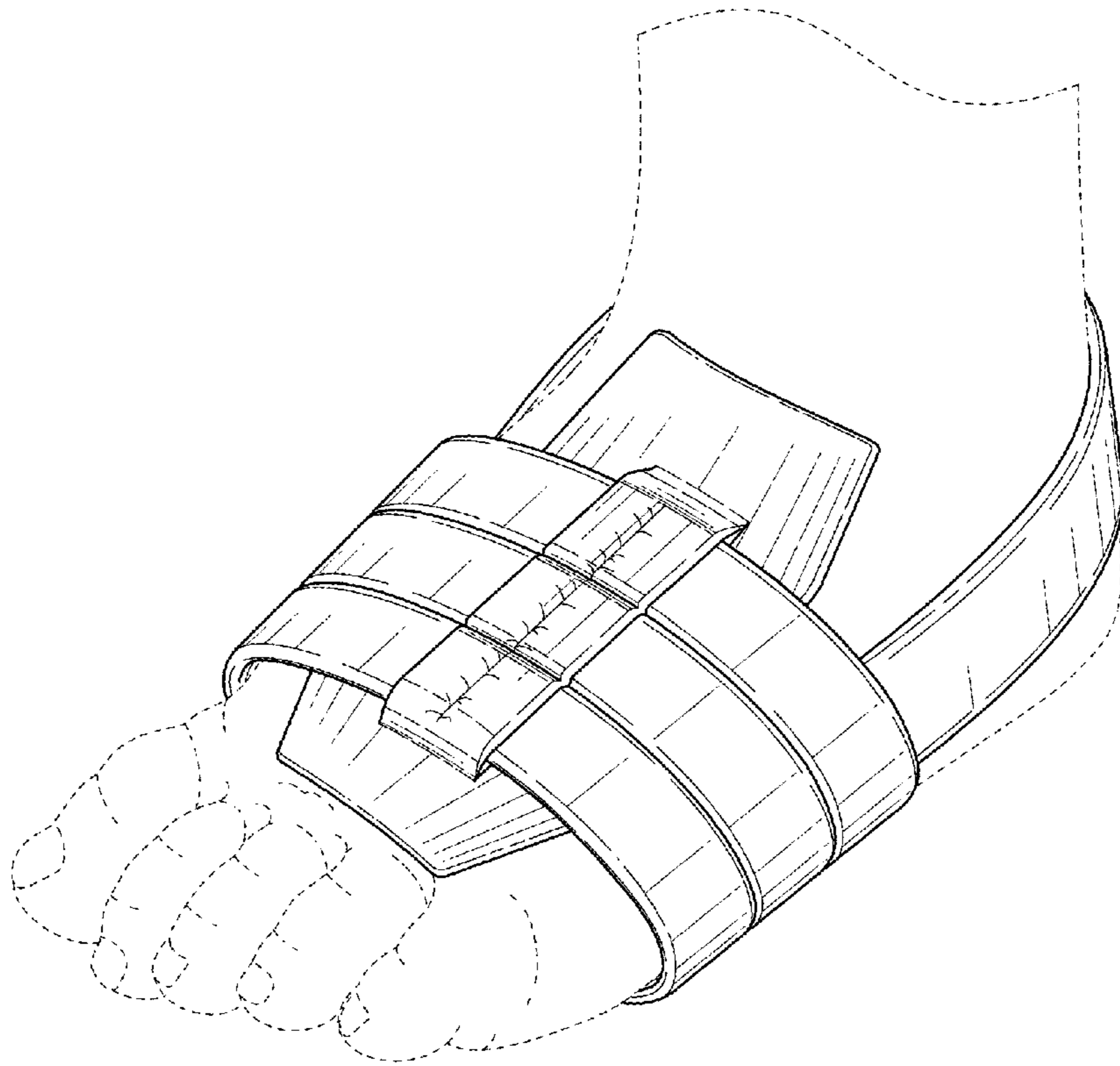


FIG. 9



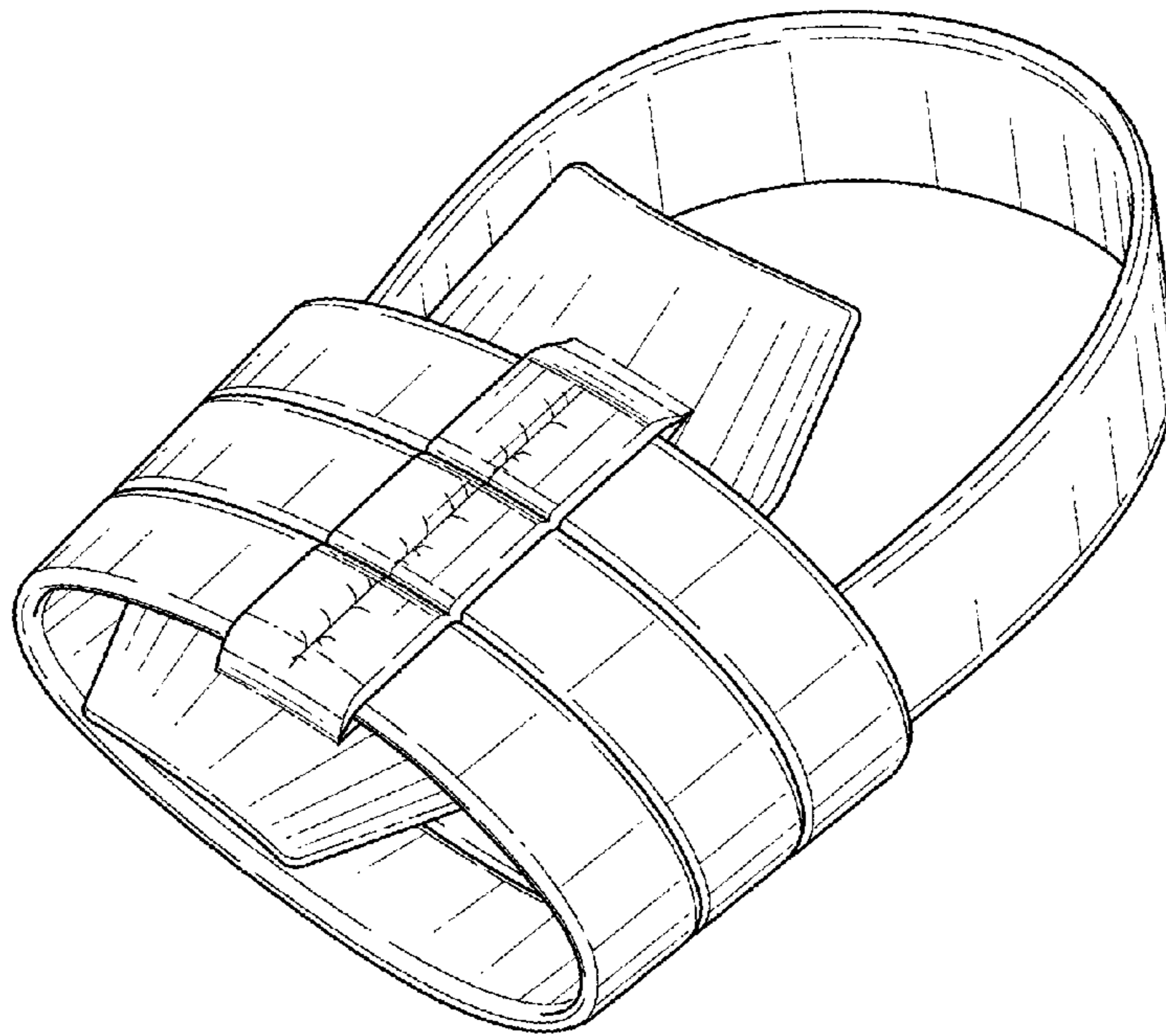


FIG. 10

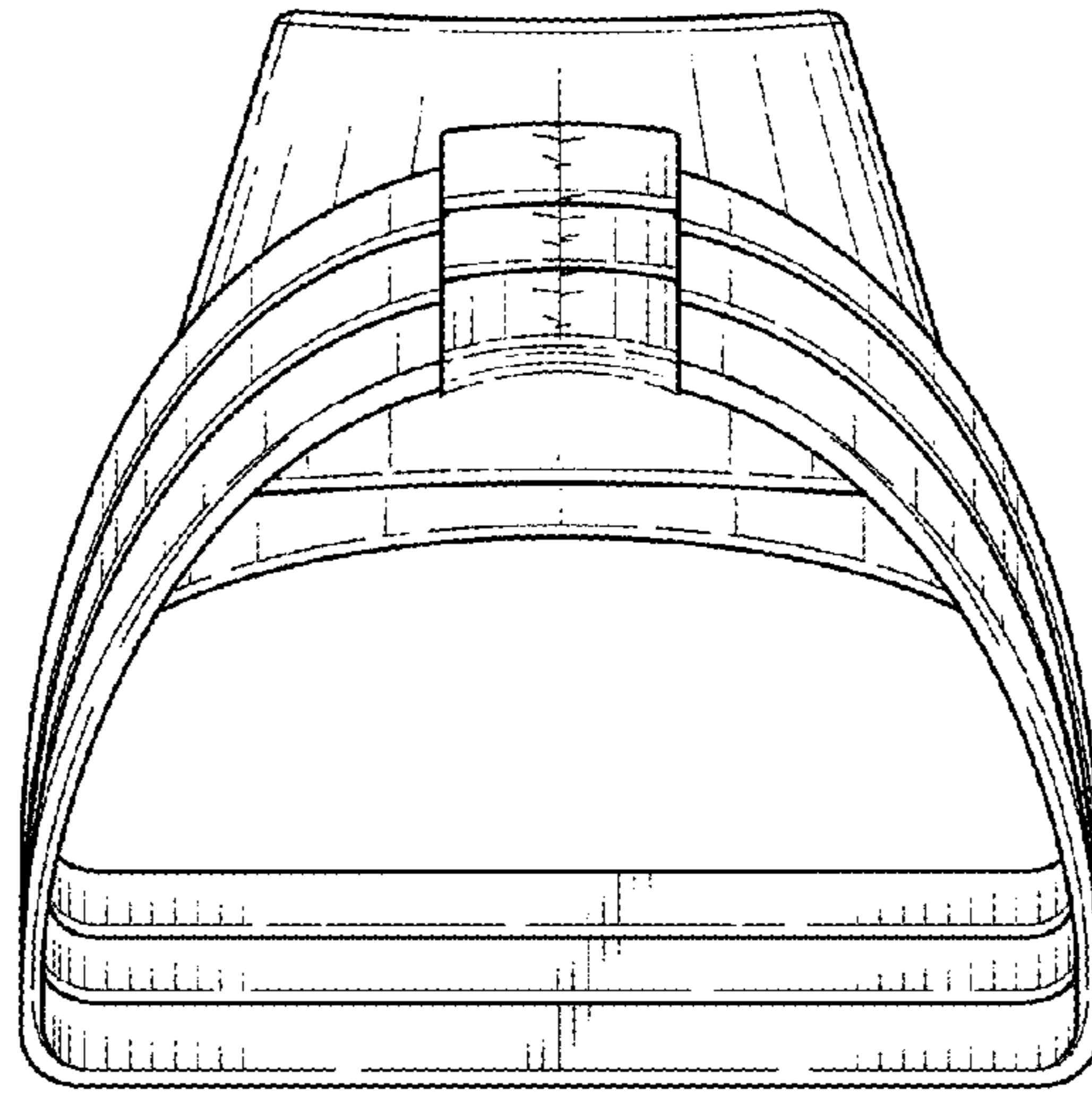


FIG. 11

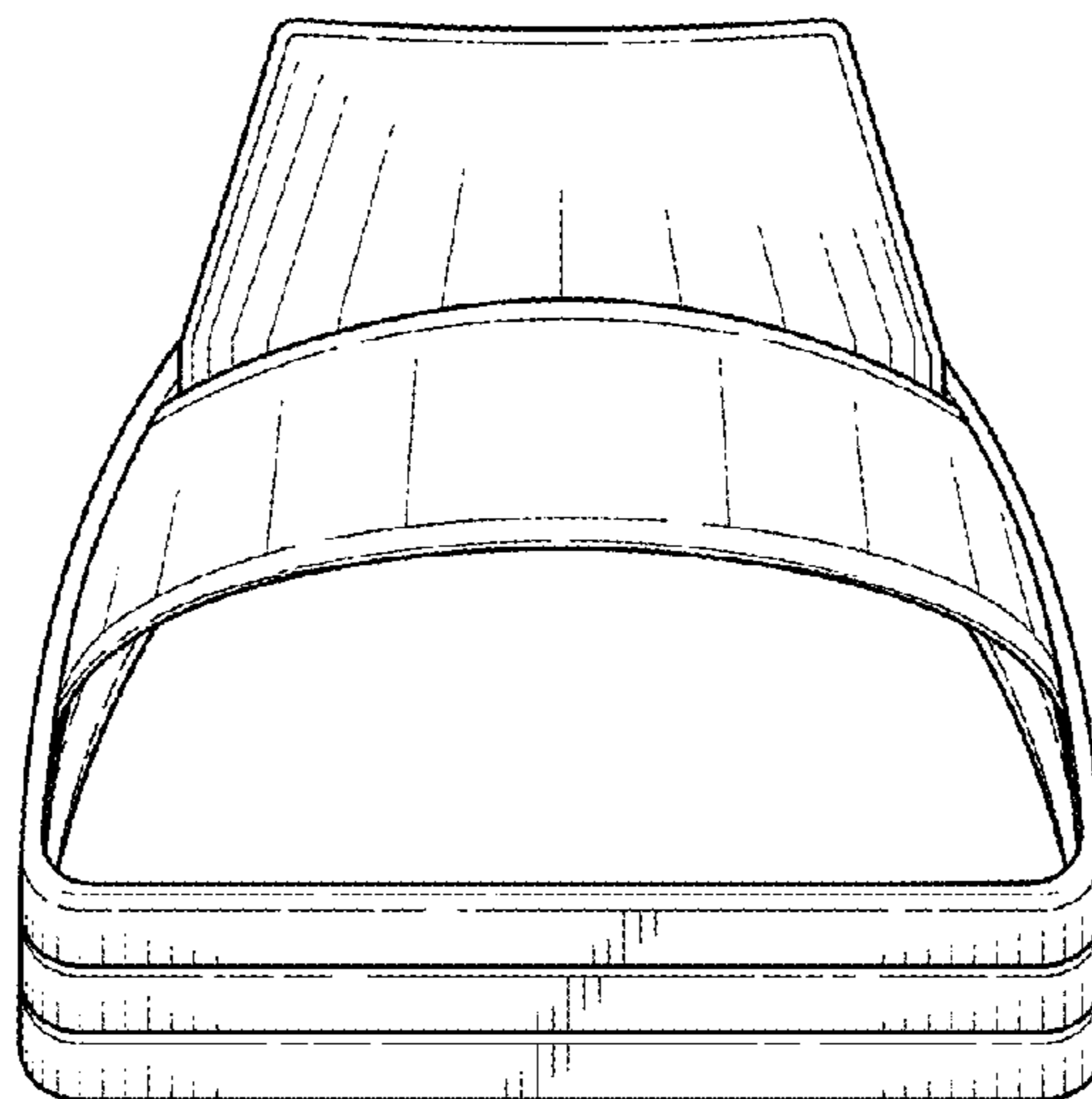


FIG. 12

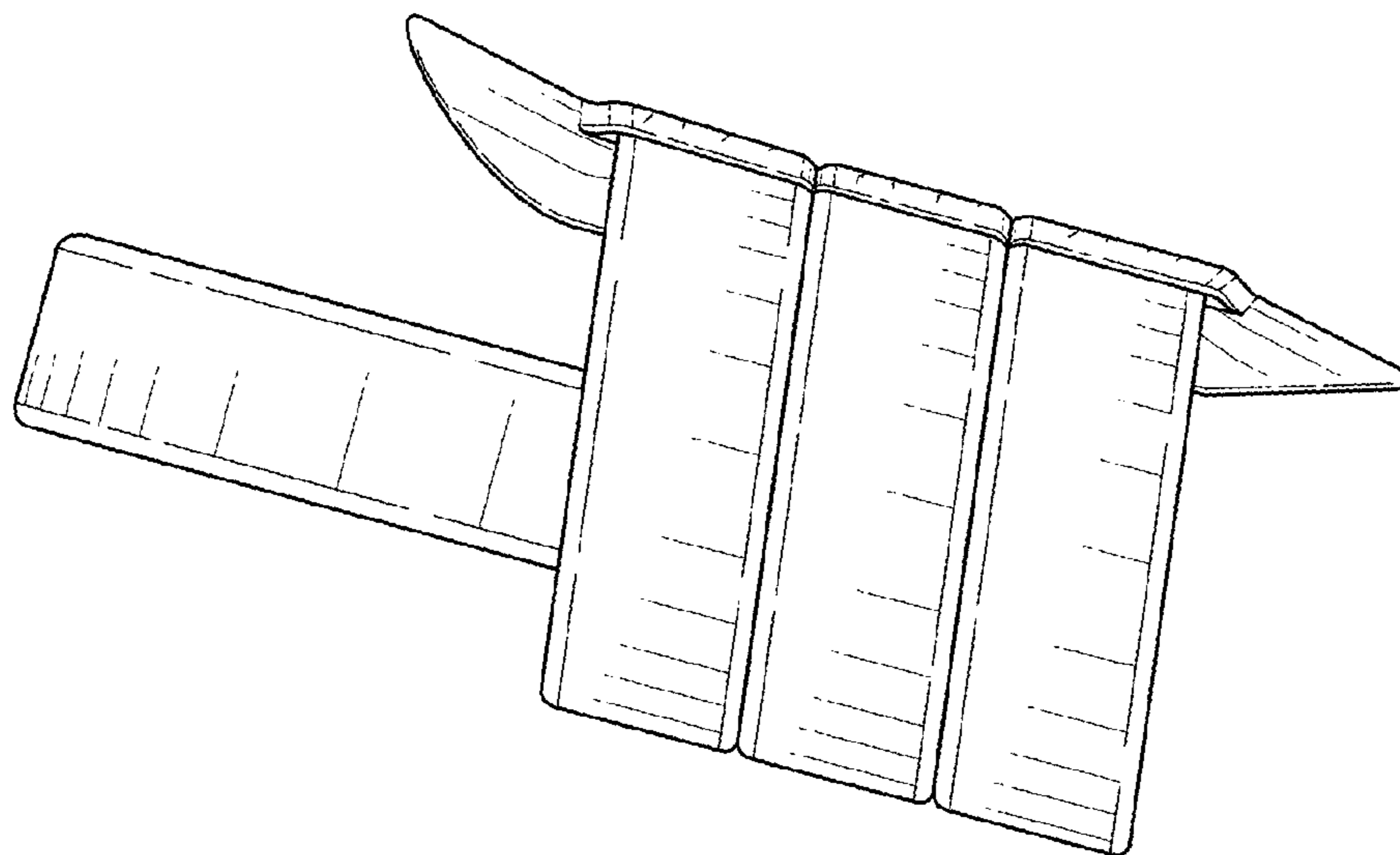


FIG. 13

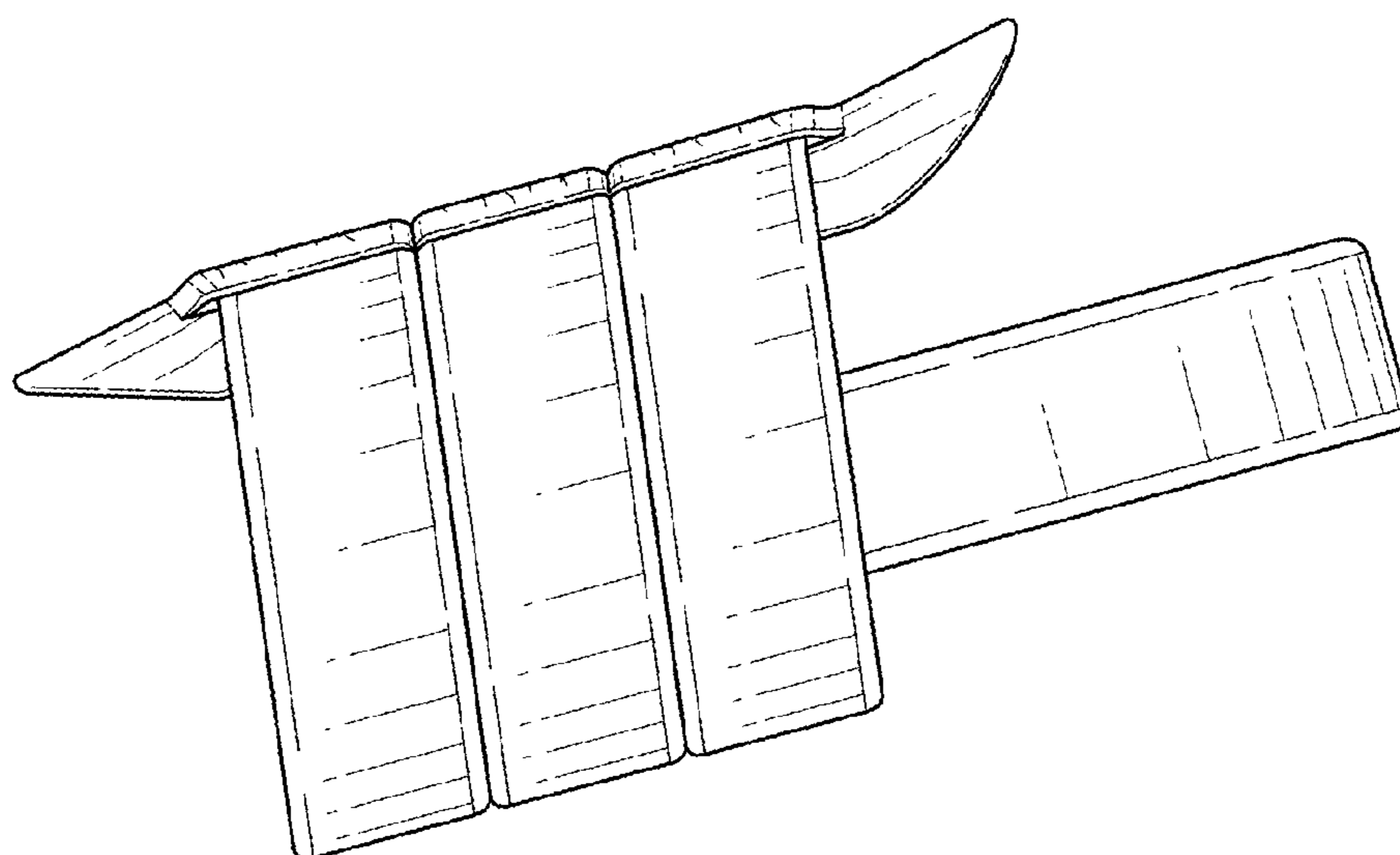


FIG. 14

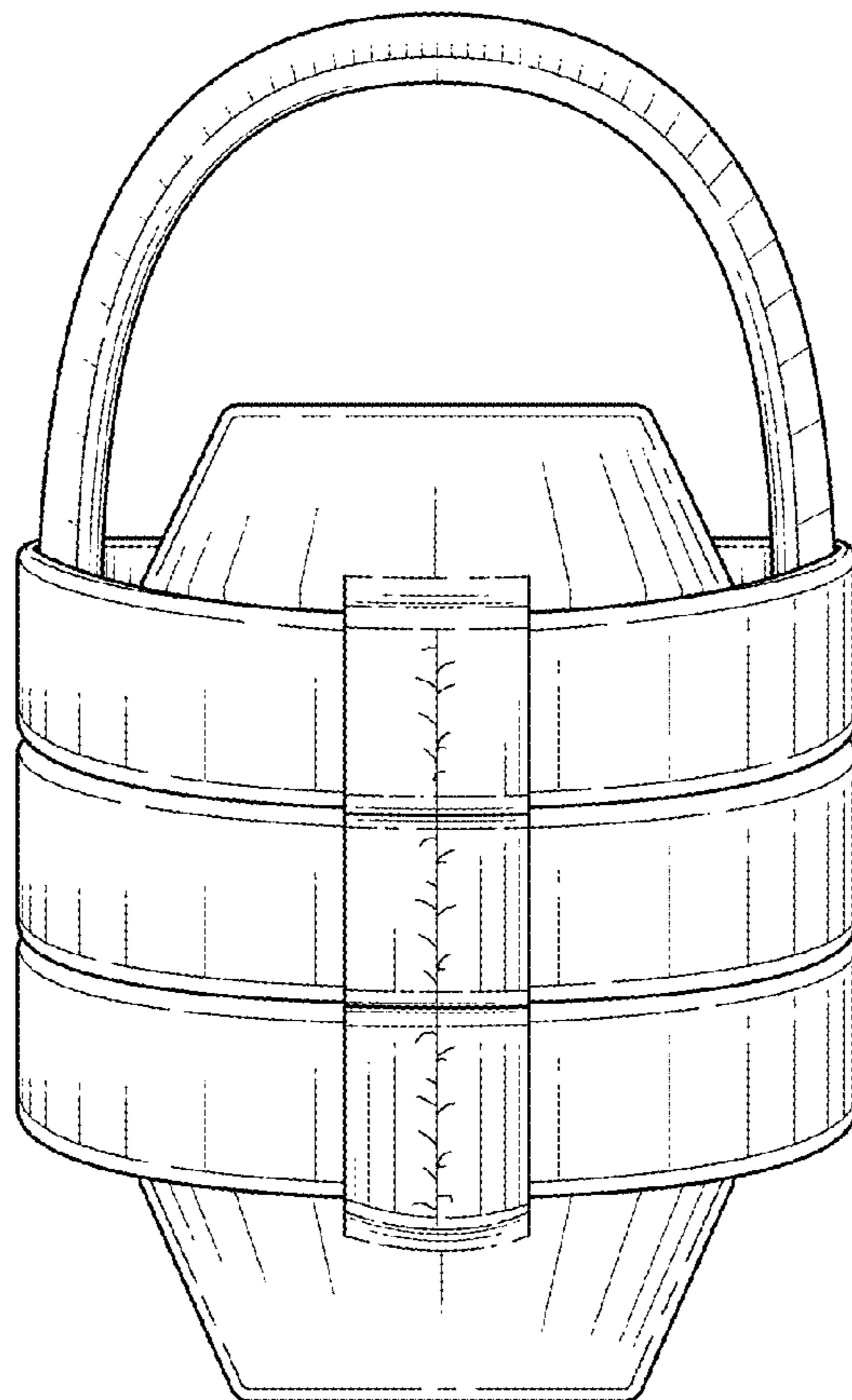


FIG. 15

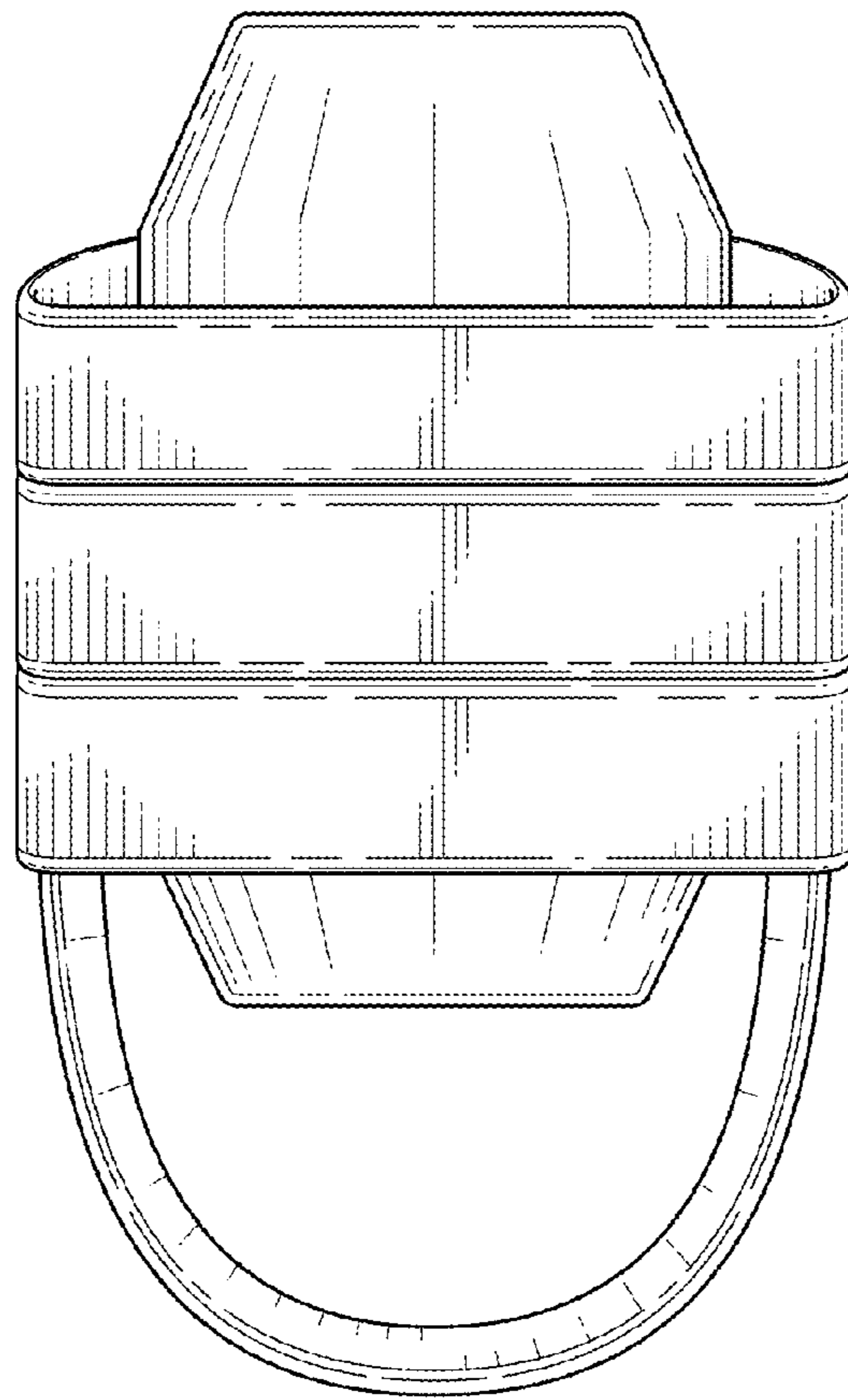


FIG. 16