

US00D739639S

(12) **United States Design Patent**  
**Randall**

(10) **Patent No.:** **US D739,639 S**  
(45) **Date of Patent:** **\*\* Sep. 22, 2015**

(54) **MULTISPACE PARKING PAY STATION**

(71) Applicant: **IPS Group, Inc.**, San Diego, CA (US)

(72) Inventor: **Chad P. Randall**, San Diego, CA (US)

(73) Assignee: **IPS GROUP, INC.**, San Diego, CA (US)

(\*\*) Term: **14 Years**

(21) Appl. No.: **29/477,204**

(22) Filed: **Dec. 19, 2013**

(51) **LOC (10) Cl.** ..... **99-00**

(52) **U.S. Cl.**  
USPC ..... **D99/28**

(58) **Field of Classification Search**  
USPC ..... D99/28, 34, 35, 36, 43, 99;  
D14/300-302, 305, 307, 900-902;  
D18/3.1-3.3, 4.1-4.6, 12.1-12.3;  
D21/324, 325, 329, 369, 370; 101/66;  
109/1 R, 1 V, 2, 23, 24.1, 25, 58, 58.5,  
109/66; 446/8-13; 705/16, 17, 18, 42, 43,  
705/44, 45; 235/51, 379, 380, 382  
See application file for complete search history.

D460,005 S 7/2002 Jacquet  
6,505,774 B1 1/2003 Fulcher et al.  
D472,362 S \* 3/2003 Zerman et al. .... D99/28  
D481,516 S \* 10/2003 Magee et al. .... D99/28  
D485,417 S \* 1/2004 Magee et al. .... D99/28  
D488,280 S \* 4/2004 Zerman et al. .... D99/28  
D492,080 S \* 6/2004 Magee et al. .... D99/28  
D492,081 S 6/2004 Magee  
D494,730 S \* 8/2004 Magee et al. .... D99/28  
D497,814 S 11/2004 Odinotsky et al.  
D505,240 S 5/2005 Swaine et al.  
D510,751 S 10/2005 Magee et al.  
7,004,385 B1 \* 2/2006 Douglass ..... 235/379

(Continued)

**OTHER PUBLICATIONS**

U.S. Appl. No. 29/466,268, filed Sep. 5, 2013, Randall et al.

(Continued)

*Primary Examiner* — Elizabeth J Oswecki  
(74) *Attorney, Agent, or Firm* — Wilson Sonsini Goodrich & Rosati

(57) **CLAIM**  
The ornamental design for a multispace parking pay station, as shown and described.

(56) **References Cited**

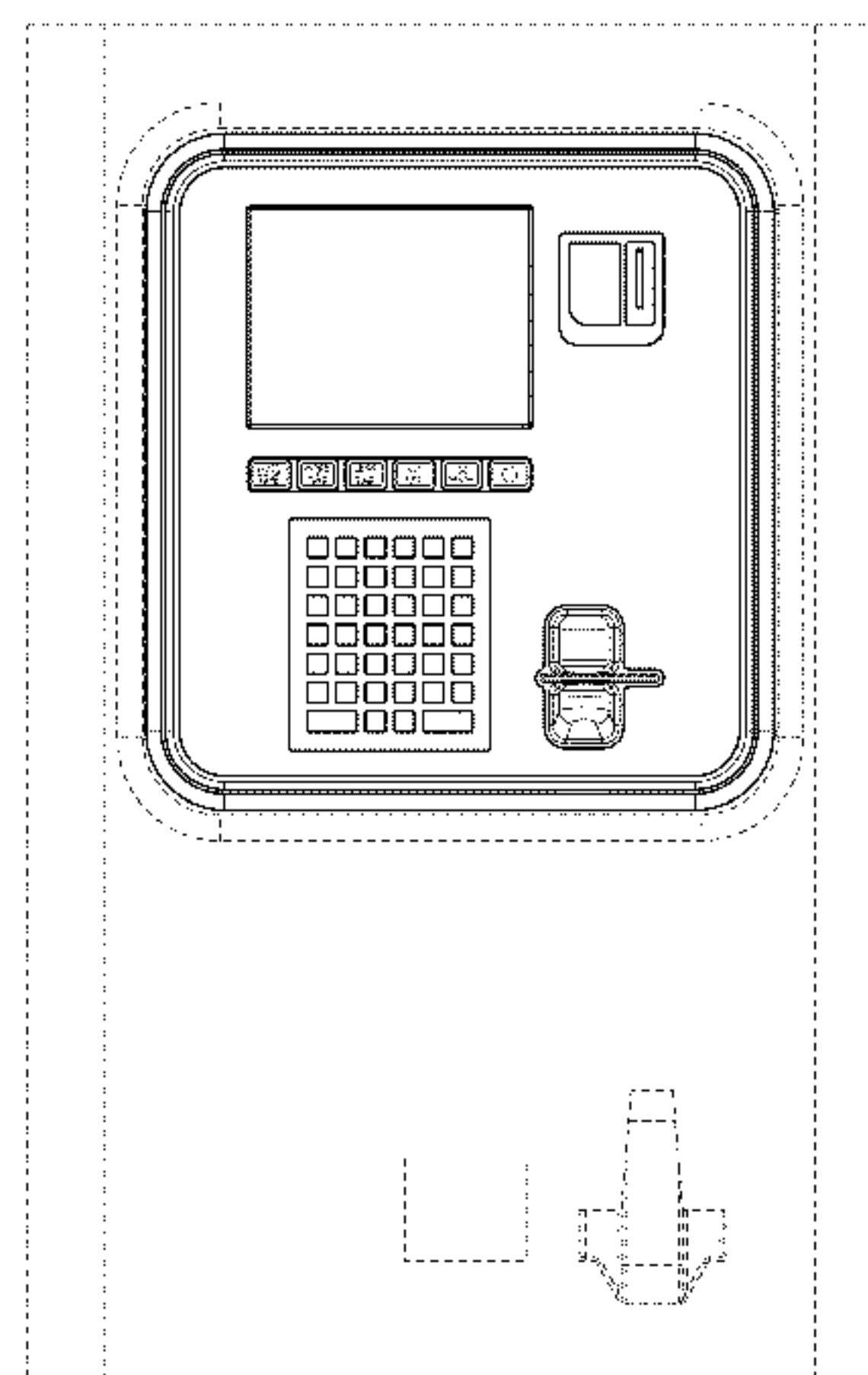
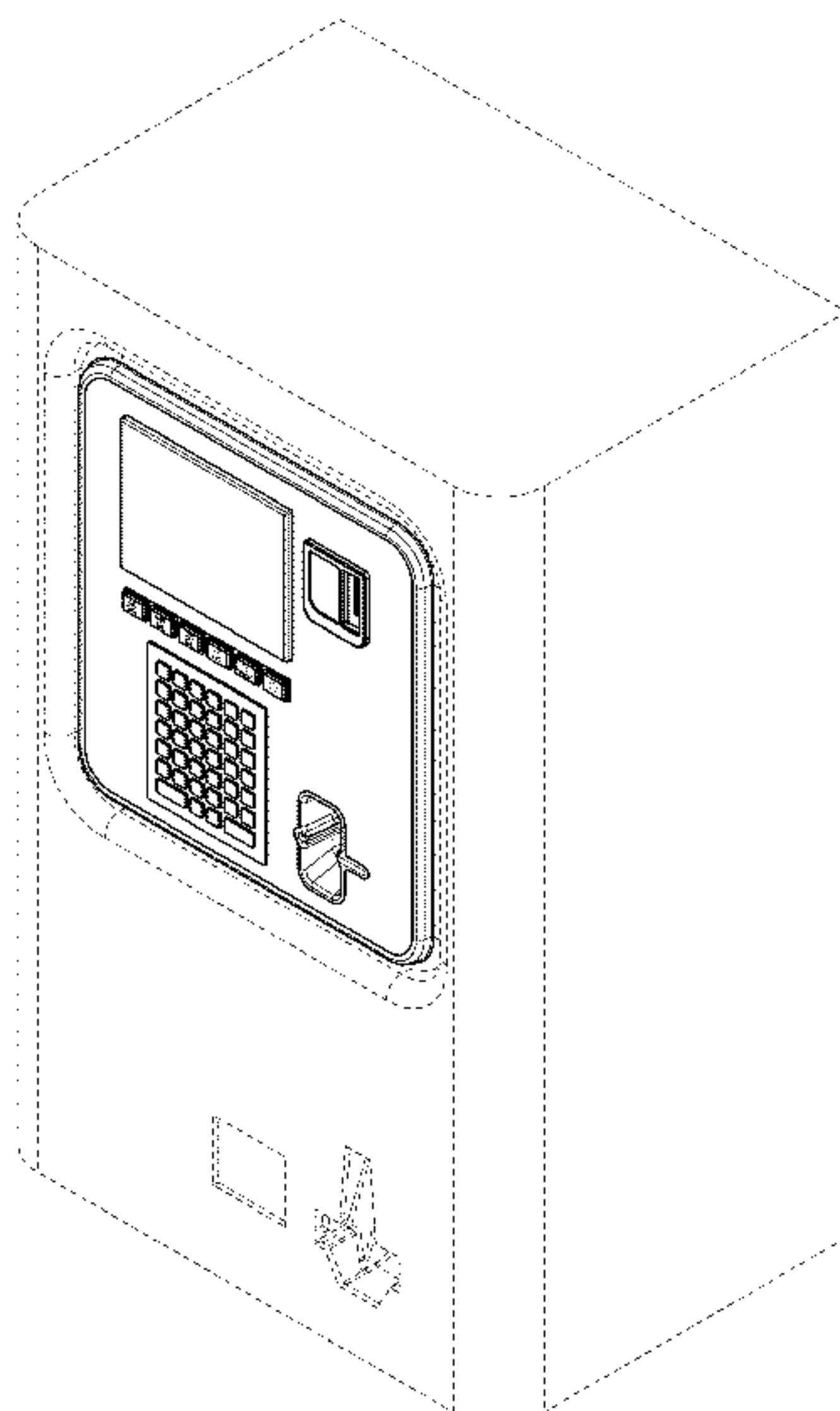
**U.S. PATENT DOCUMENTS**

D278,689 S 5/1985 Jupe  
5,065,156 A 11/1991 Bernier  
D336,860 S 6/1993 Clough  
D342,209 S 12/1993 Clough  
D360,734 S 7/1995 Hall  
D375,607 S \* 11/1996 Hall ..... D99/28  
D396,655 S 8/1998 Anderson  
D412,289 S 7/1999 Winwood  
D431,788 S 10/2000 Tuxen et al.  
6,230,868 B1 5/2001 Tuxen et al.  
6,275,169 B1 8/2001 Krygler et al.  
D448,910 S 10/2001 Kit  
D450,253 S 11/2001 Marguet  
D454,421 S \* 3/2002 Jeon et al. .... D99/28

**DESCRIPTION**

FIG. 1 is a top front perspective view of a multispace parking pay station, showing my new design;  
FIG. 2 is a front elevational view thereof;  
FIG. 3 is a back elevational view thereof;  
FIG. 4 is a left side elevational view thereof;  
FIG. 5 is a right side elevational view thereof;  
FIG. 6 is a top plan view thereof; and,  
FIG. 7 is a bottom plan view thereof.  
The broken lines shown in the drawings represent portions of the multispace parking pay station that form no part of the claimed design.

**1 Claim, 7 Drawing Sheets**



(56)

References Cited

U.S. PATENT DOCUMENTS

7,019,670 B2 3/2006 Bahar  
 7,028,888 B2 4/2006 Laskowski et al.  
 7,040,534 B2 5/2006 Turocy et al.  
 D538,505 S 3/2007 Kang  
 7,222,782 B2 \* 5/2007 Lute et al. .... 235/379  
 7,284,692 B1 10/2007 Douglass  
 D570,920 S 6/2008 Choi  
 7,419,091 B1 9/2008 Scanlon  
 D579,795 S 11/2008 Martinez et al.  
 D582,125 S 12/2008 Kang et al.  
 7,533,802 B1 \* 5/2009 McGinley et al. .... 235/379  
 D596,374 S \* 7/2009 Kang et al. .... D99/28  
 7,624,919 B2 12/2009 Meek et al.  
 7,699,224 B2 4/2010 Molé  
 D625,305 S \* 10/2010 Bleck et al. .... D14/307  
 D632,740 S 2/2011 Adeline  
 D645,223 S \* 9/2011 Bleck et al. .... D99/28  
 D652,872 S 1/2012 Mougín et al.  
 D653,014 S \* 1/2012 Rohan et al. .... D99/28  
 D653,420 S 1/2012 Rohan  
 D653,421 S \* 1/2012 Rohan et al. .... D99/28  
 D653,424 S \* 1/2012 Rohan et al. .... D99/28  
 D672,525 S 12/2012 Lee et al.  
 D674,985 S 1/2013 Lee  
 D677,035 S \* 2/2013 Lee et al. .... D99/28  
 D680,156 S 4/2013 Hernandez et al.  
 D681,717 S 5/2013 Helgesson et al.  
 D684,745 S 6/2013 Reuter  
 D691,165 S 10/2013 Attoma  
 D693,983 S 11/2013 Budde et al.  
 D696,484 S 12/2013 Lee  
 D696,485 S 12/2013 Lee  
 D702,913 S 4/2014 Budde  
 D702,914 S 4/2014 Budde  
 D716,515 S 10/2014 Cha

D722,740 S 2/2015 Budde  
 2004/0016796 A1 1/2004 Hanna et al.  
 2004/0243526 A1 12/2004 Krygler et al.  
 2005/0029340 A1 2/2005 Ferraro  
 2006/0152385 A1 7/2006 Mandy  
 2007/0046651 A1 3/2007 Sinclair et al.  
 2007/0276724 A1 11/2007 Catt  
 2008/0257965 A1 10/2008 Klein et al.  
 2008/0296365 A1 12/2008 Schliebe  
 2009/0057398 A1 3/2009 Douglass et al.  
 2010/0161489 A1 6/2010 Goodall et al.  
 2010/0243729 A1 9/2010 Russell et al.  
 2011/0133613 A1 6/2011 Descamps et al.  
 2012/0286036 A1 11/2012 Jones et al.

OTHER PUBLICATIONS

U.S. Appl. No. 29/466,269, filed Sep. 5, 2013, Randall et al.  
 U.S. Appl. No. 29/466,267, filed Sep. 5, 2013, Randall et al.  
 U.S. Appl. No. 29/477,176, filed Dec. 19, 2013, Randall et al.  
 U.S. Appl. No. 29/477,195, filed Dec. 19, 2013, Randall et al.  
 U.S. Appl. No. 29/477,196, filed Dec. 19, 2013, Randall et al.  
 U.S. Appl. No. 29/477,200, filed Dec. 19, 2013, Randall et al.  
 U.S. Appl. No. 29/477,201, filed Dec. 19, 2013, Randall et al.  
 U.S. Appl. No. 29/477,321, filed Dec. 20, 2013, Randall et al.  
 U.S. Appl. No. 29/477,324, filed Dec. 20, 2013, Randall et al.  
 U.S. Appl. No. 29/477,329, filed Dec. 20, 2013, Randall et al.  
 U.S. Appl. No. 29/477,339, filed Dec. 20, 2013, Randall et al.  
 U.S. Appl. No. 29/477,402, filed Dec. 20, 2013, Randall et al.  
 U.S. Appl. No. 29/477,405, filed Dec. 20, 2013, Randall et al.  
 U.S. Appl. No. 29/477,324 Office Action dated Apr. 23, 2015.  
 U.S. Appl. No. 29/477,176 Office Action dated May 4, 2015.  
 U.S. Appl. No. 29/477,200 Office Action dated Apr. 9, 2015.  
 U.S. Appl. No. 29/477,201 Office Action dated Apr. 9, 2015.  
 U.S. Appl. No. 29/477,402 Office Action dated Apr. 9, 2015.

\* cited by examiner

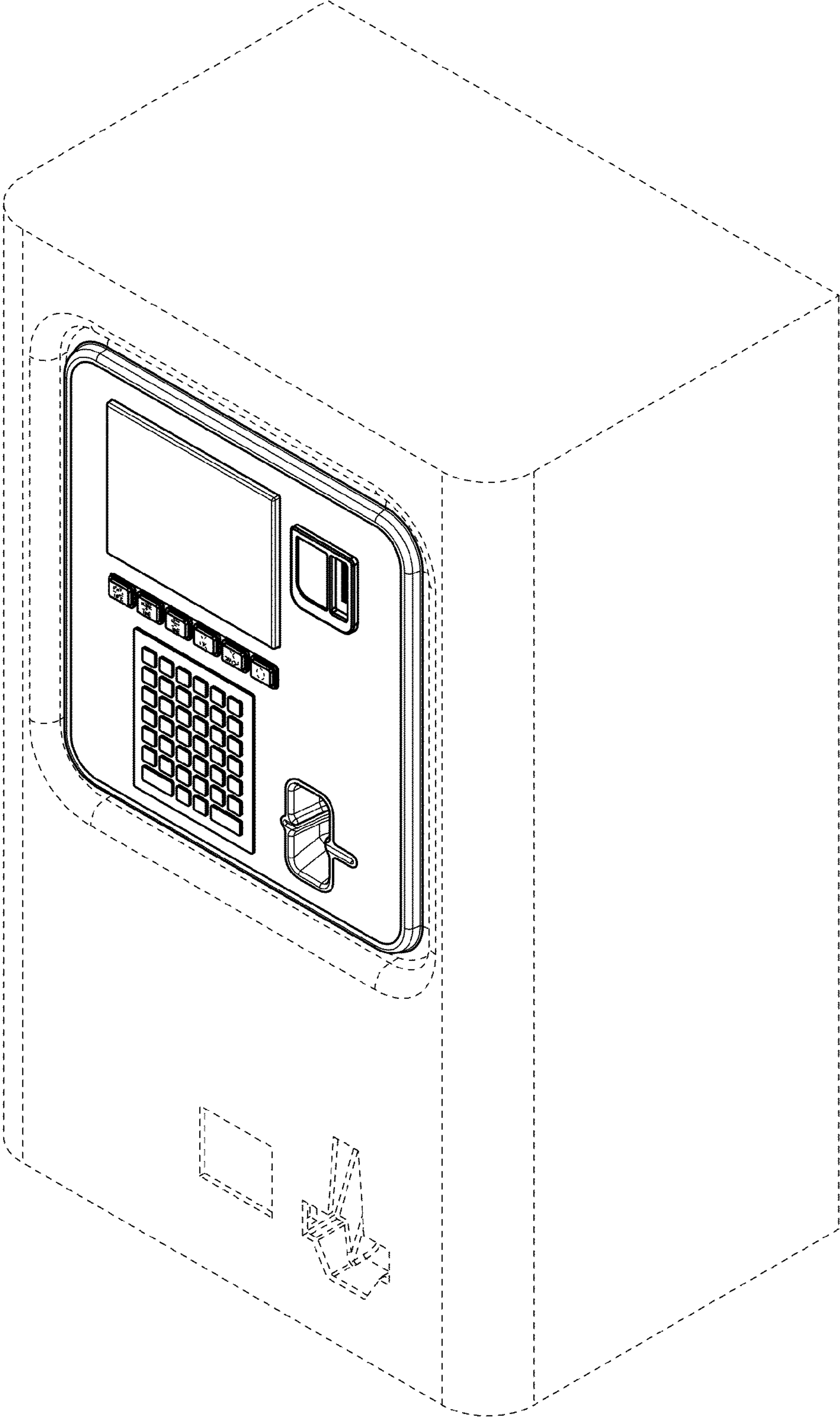


FIG. 1



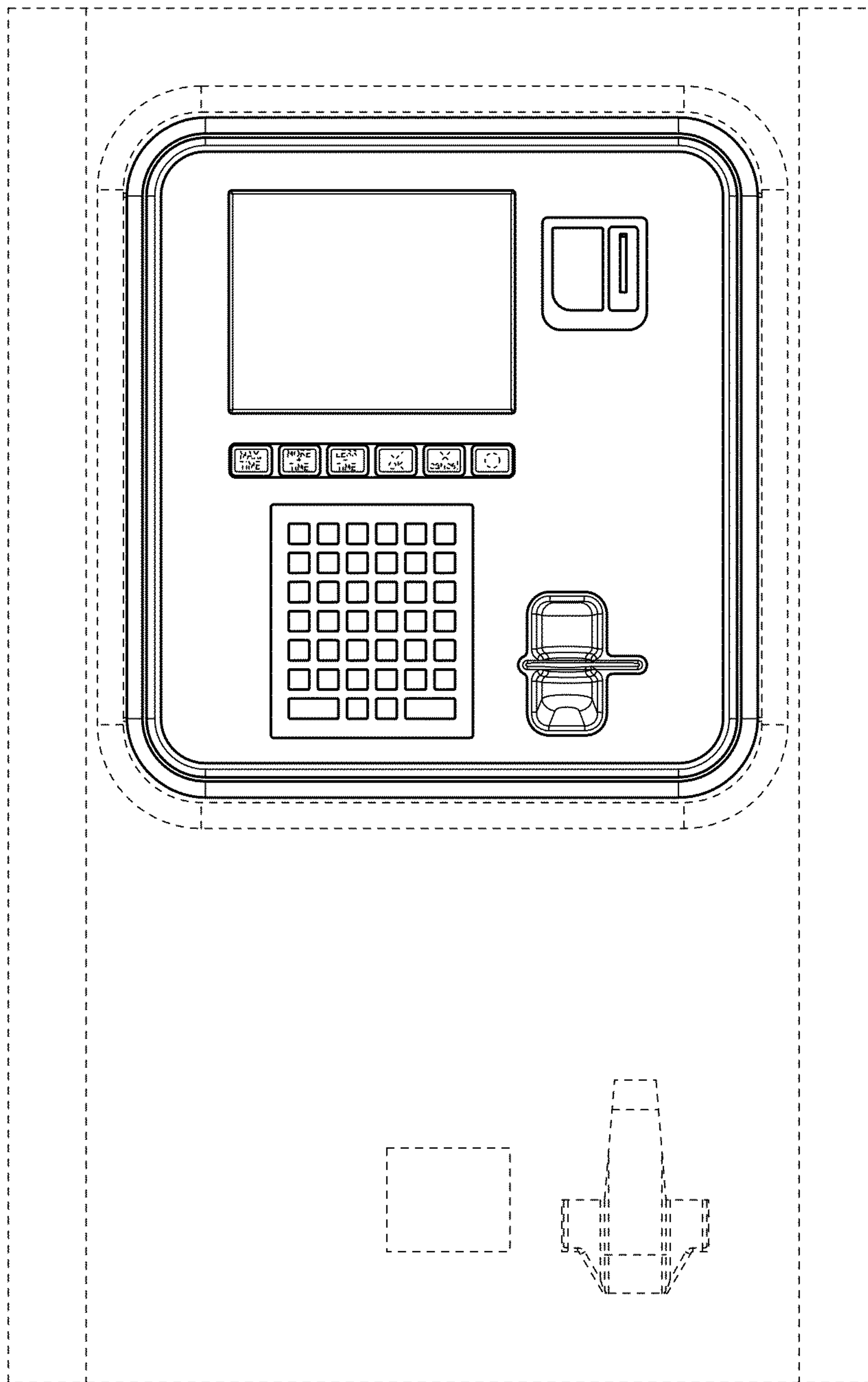


FIG. 2



**FIG. 3**

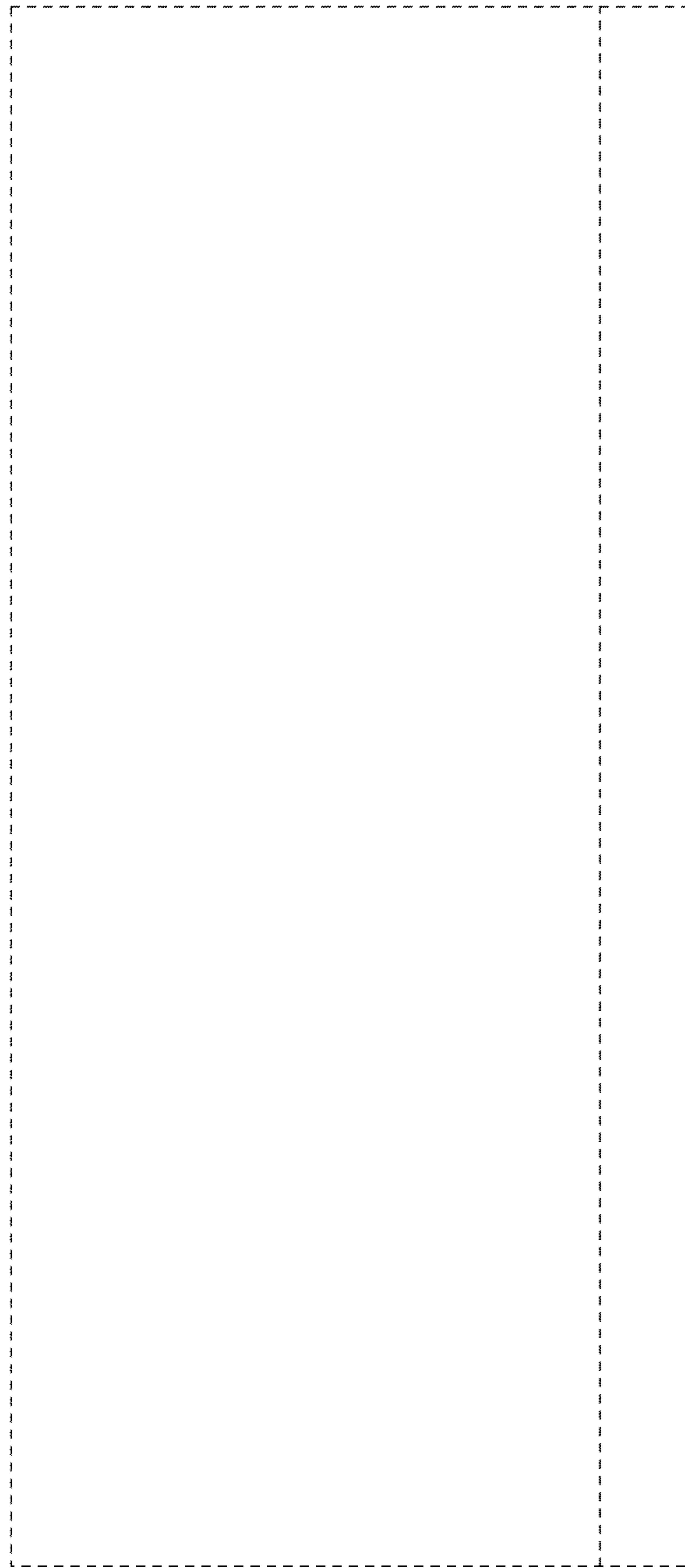


FIG. 4

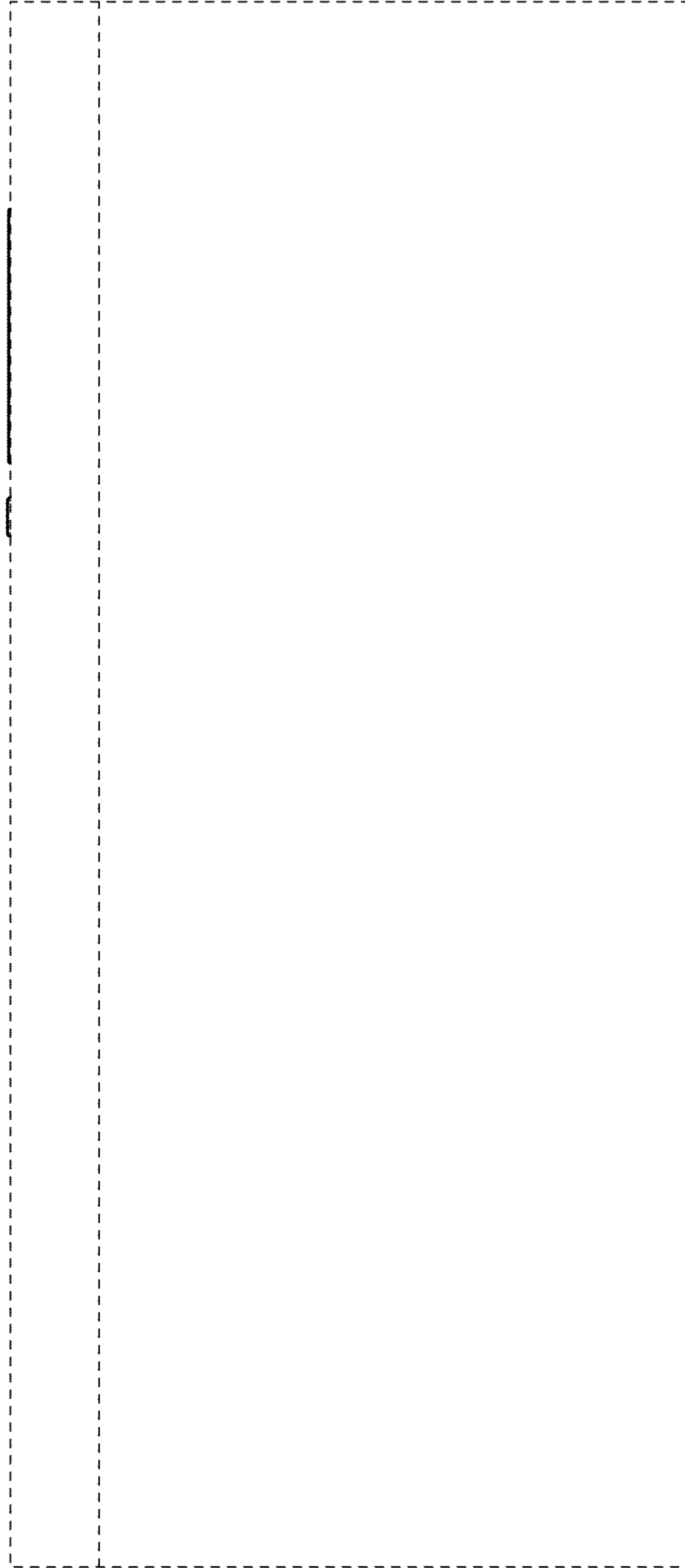
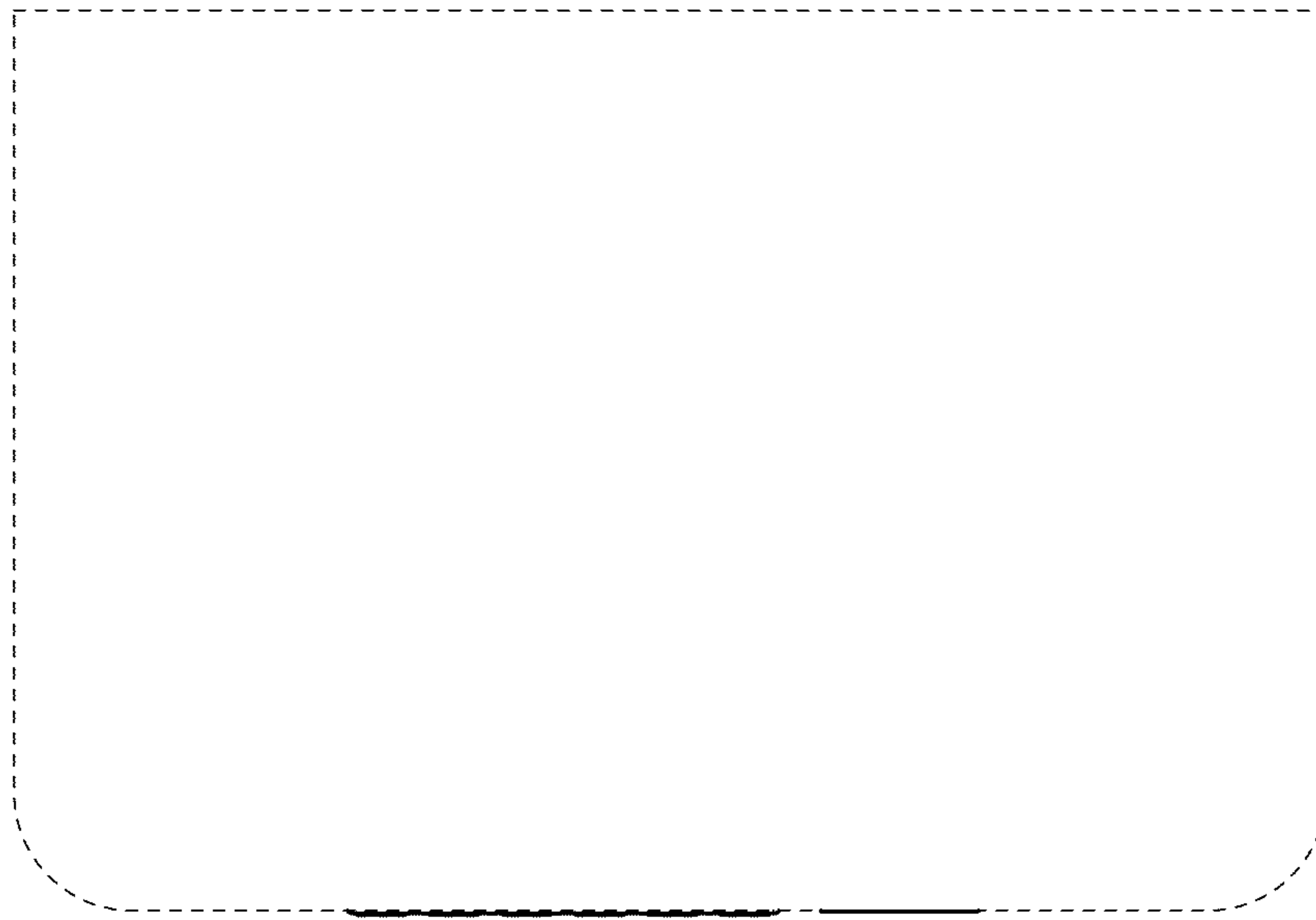
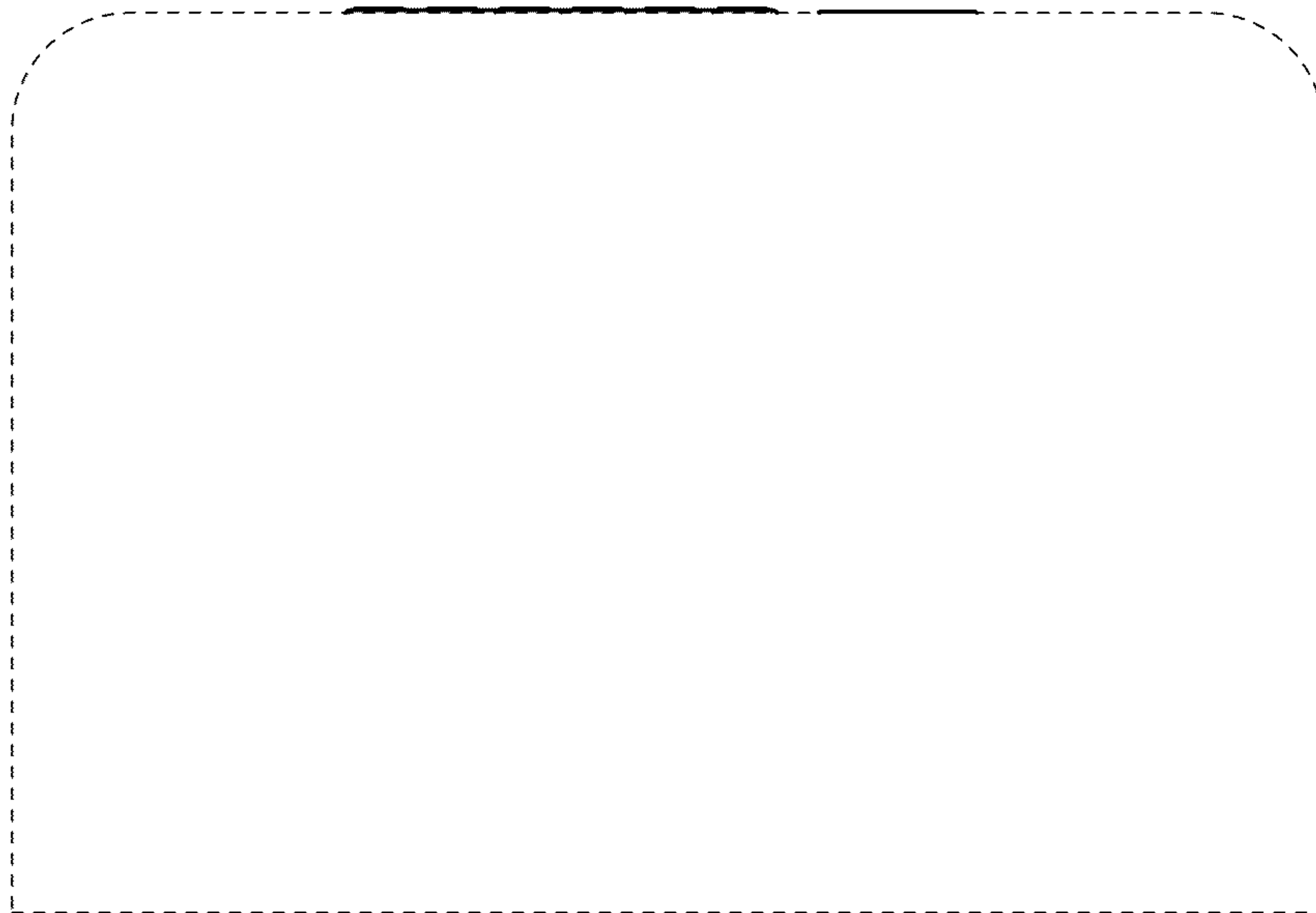


FIG. 5



**FIG. 6**





**FIG. 7**

UNITED STATES PATENT AND TRADEMARK OFFICE  
**CERTIFICATE OF CORRECTION**

PATENT NO. : D739,639 S  
APPLICATION NO. : 29/477204  
DATED : September 22, 2015  
INVENTOR(S) : King et al.

Page 1 of 1

It is certified that error appears in the above-identified patent and that said Letters Patent is hereby corrected as shown below:

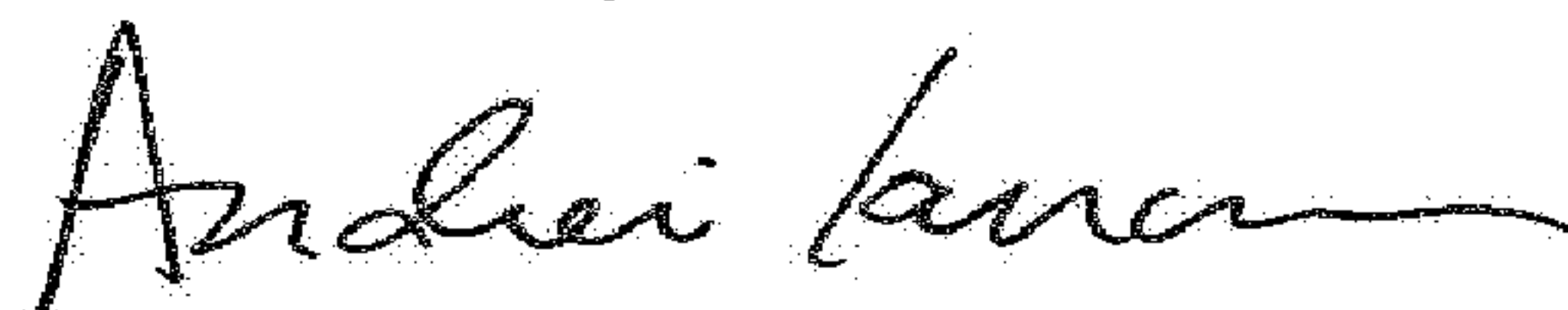
On the Title Page

Item (12) delete "Randall" and insert --King et al.--.

Item (72) Inventor, should read:

--(72) Inventors: David William King, Rancho Santa Fe, CA (US); Michael W. MacCollum, Poway, CA (US)--.

Signed and Sealed this  
Sixth Day of March, 2018



Andrei Iancu  
Director of the United States Patent and Trademark Office