



US00D739636S

(12) **United States Design Patent**
Ledinh

(10) **Patent No.:** **US D739,636 S**

(45) **Date of Patent:** **** Sep. 22, 2015**

(54) **CASKET**

(71) Applicant: **Tuyen Joseph Ledinh**, Honolulu, HI
(US)

(72) Inventor: **Tuyen Joseph Ledinh**, Honolulu, HI
(US)

(**) Term: **14 Years**

(21) Appl. No.: **29/497,898**

(22) Filed: **Jul. 29, 2014**

(51) **LOC (10) Cl.** **99-00**

(52) **U.S. Cl.**
USPC **D99/1**

(58) **Field of Classification Search**
USPC D99/1, 2, 7, 11; 27/1, 2; D9/414
CPC A61G 17/00
See application file for complete search history.

(56) **References Cited**

U.S. PATENT DOCUMENTS

604,355	A *	5/1898	Keefe	433/134
641,377	A *	1/1900	Dunlap	27/4
1,507,726	A *	9/1924	Brady	27/6
D93,603	S *	10/1934	Blackford	D99/1
2,372,412	A *	3/1945	Wallace	27/6
3,050,818	A *	8/1962	Phillips	27/35
3,055,079	A *	9/1962	Flynn	27/15
D194,514	S *	2/1963	Rau	D9/414
3,159,901	A *	12/1964	Harrington et al.	27/7

3,435,494	A *	4/1969	Bernard	27/11
3,681,820	A *	8/1972	Jalbert	27/7
D229,176	S *	11/1973	Andrus	D99/7
D242,153	S *	11/1976	Acton	D99/1
D292,635	S *	11/1987	McCormack et al.	D99/1
D292,839	S *	11/1987	Brogdon	D99/1
4,924,565	A *	5/1990	Rathjen	27/7
D343,941	S *	2/1994	Andersson et al.	D99/1
D418,657	S *	1/2000	Lamolinara et al.	D99/7
D528,733	S *	9/2006	Spiegel	D99/1
D551,425	S *	9/2007	Layle	D99/7
D583,125	S *	12/2008	Hubbard	D99/1
D621,123	S *	8/2010	Larry, III	D99/1
D644,813	S *	9/2011	Longcamp	D99/1

* cited by examiner

Primary Examiner — Paula Greene

(74) *Attorney, Agent, or Firm* — Steven A. Nielsen;
NielsenPatents.com

(57) **CLAIM**

The ornamental design for a casket, as shown and described.

DESCRIPTION

FIG. 1 is a top and side perspective view a casket, showing the new design;

FIG. 2 is a front elevation view thereof;

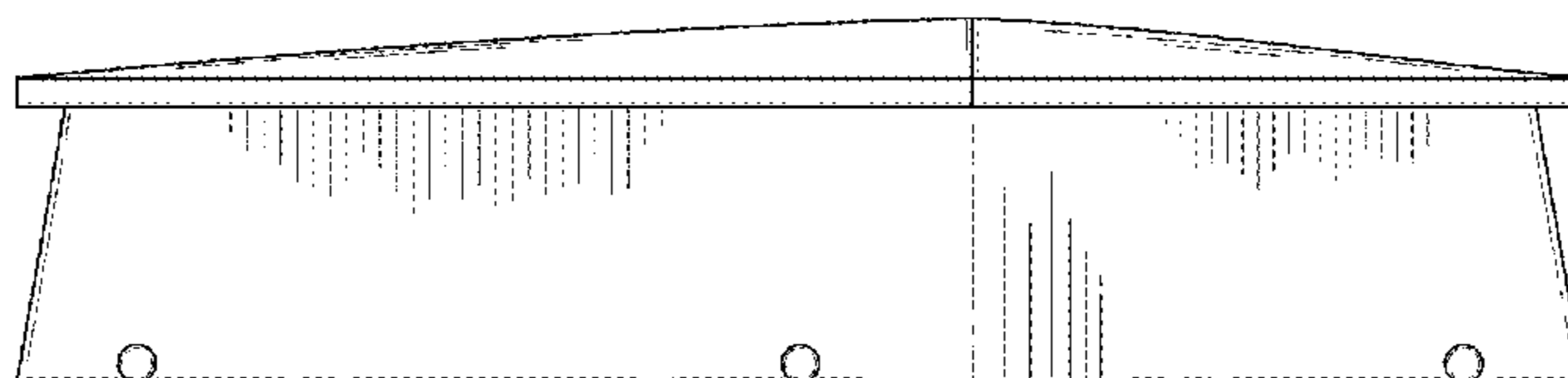
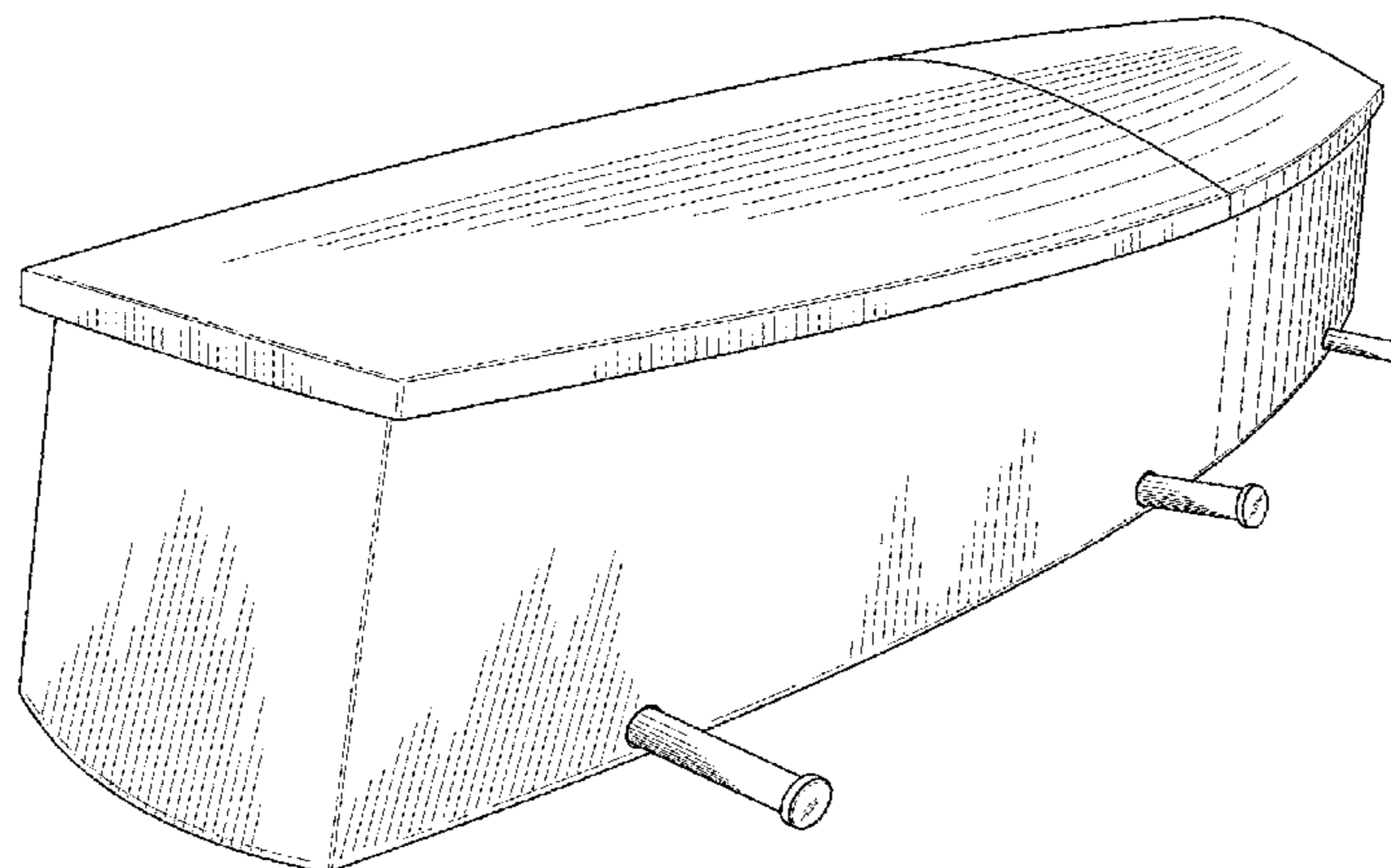
FIG. 3 is a back elevation view thereof;

FIG. 4 is a left side elevation view thereof; with the right side being a mirror image and thus not separately shown;

FIG. 5 is a top plan view thereof; and,

FIG. 6 is a bottom view.

1 Claim, 3 Drawing Sheets



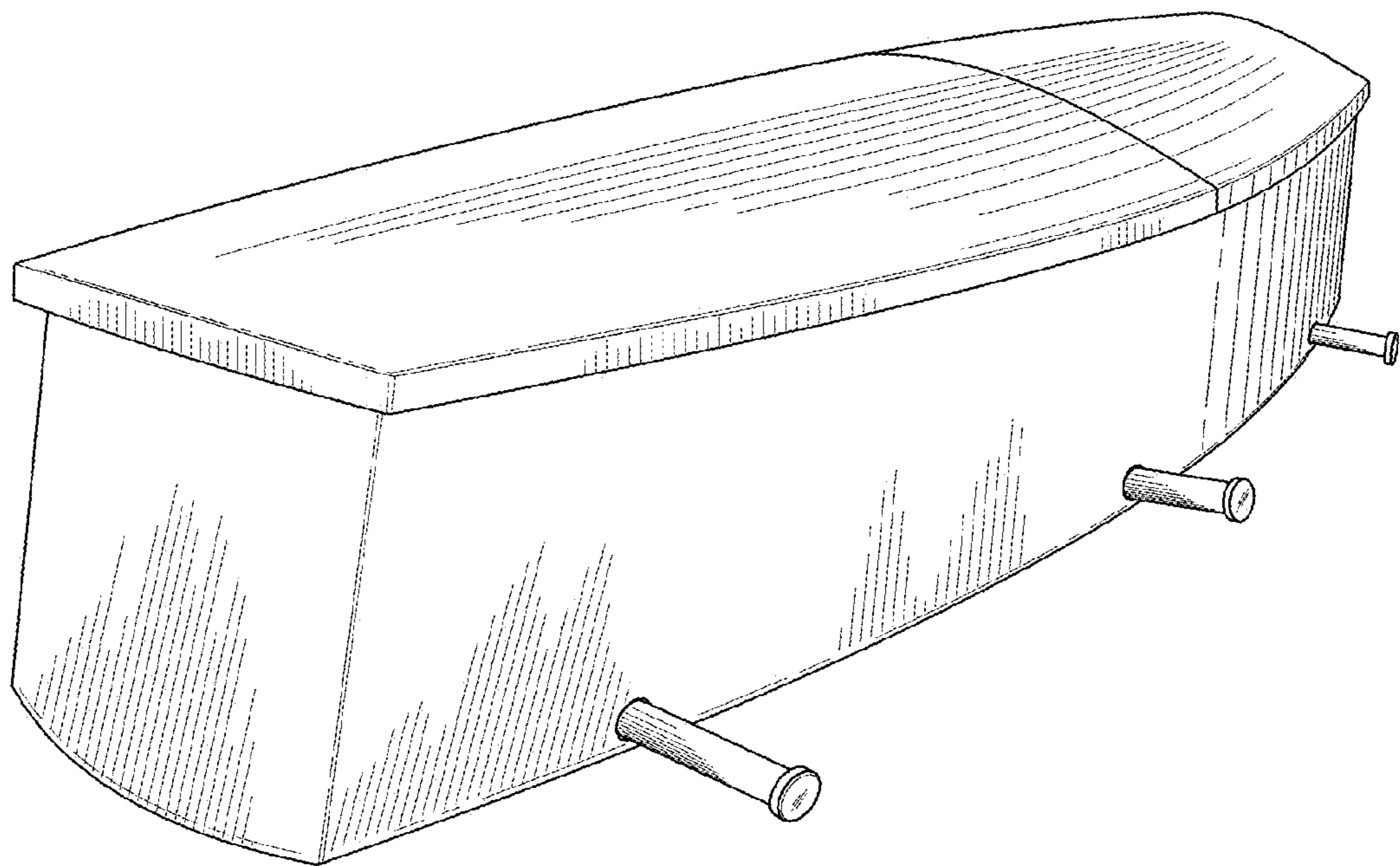


FIG. 1

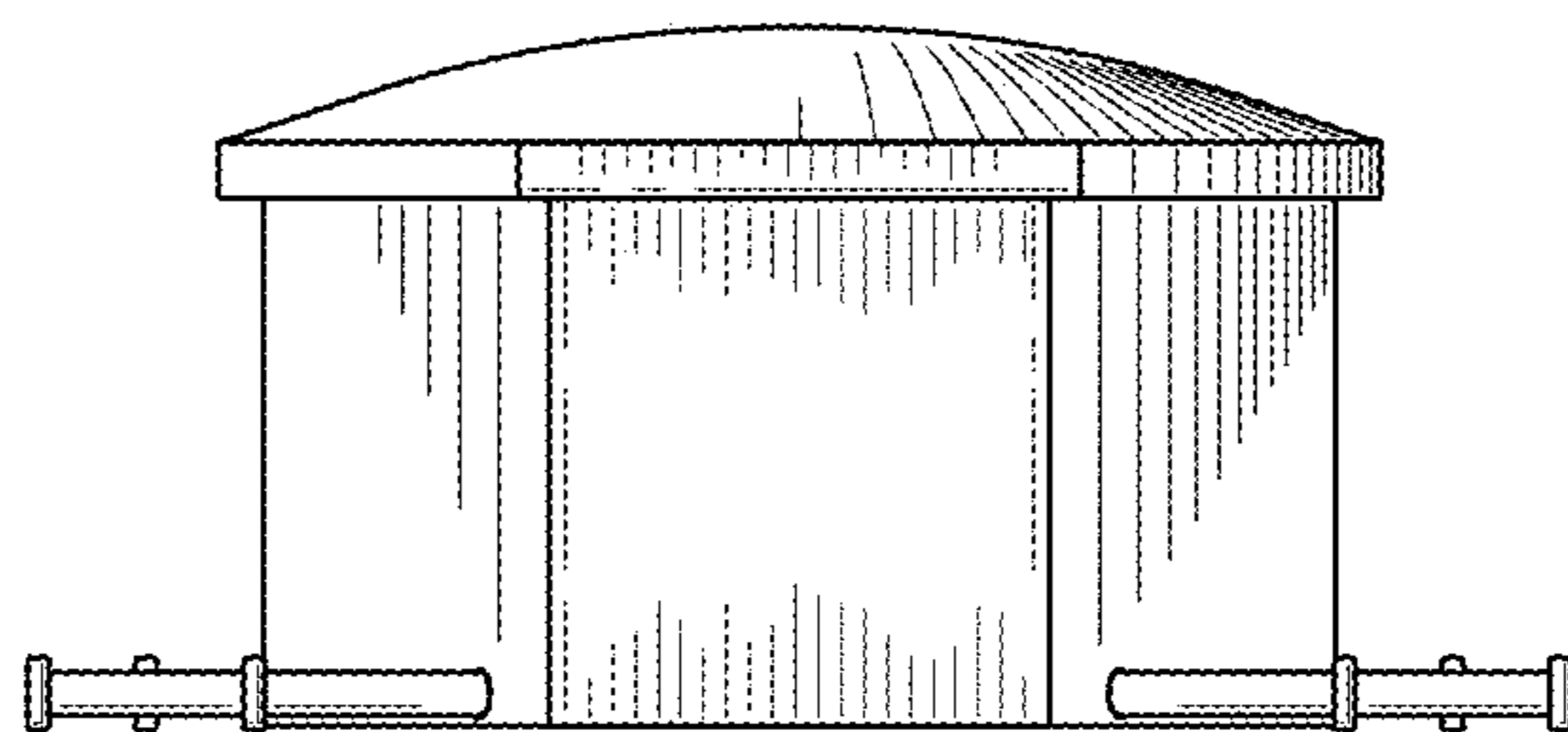


FIG. 2

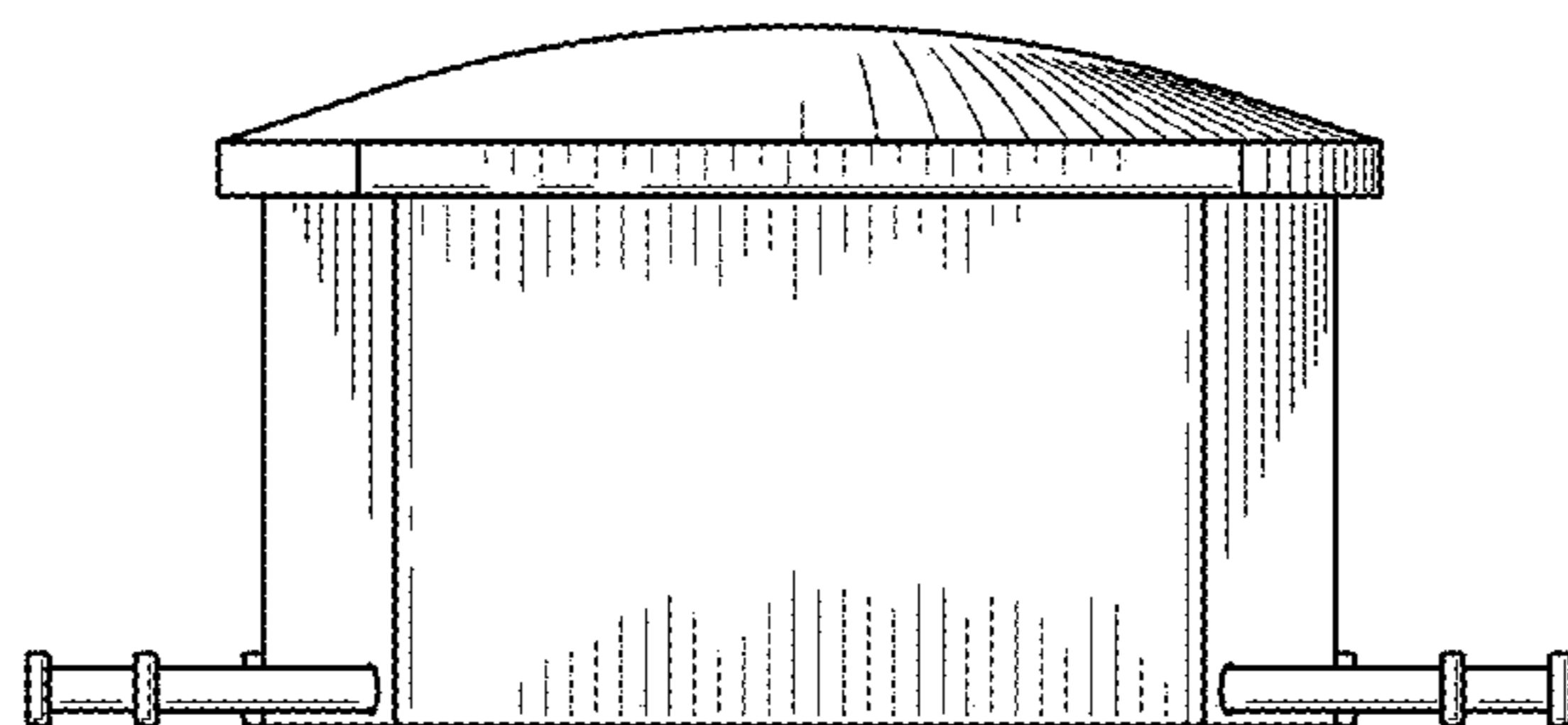


FIG. 3

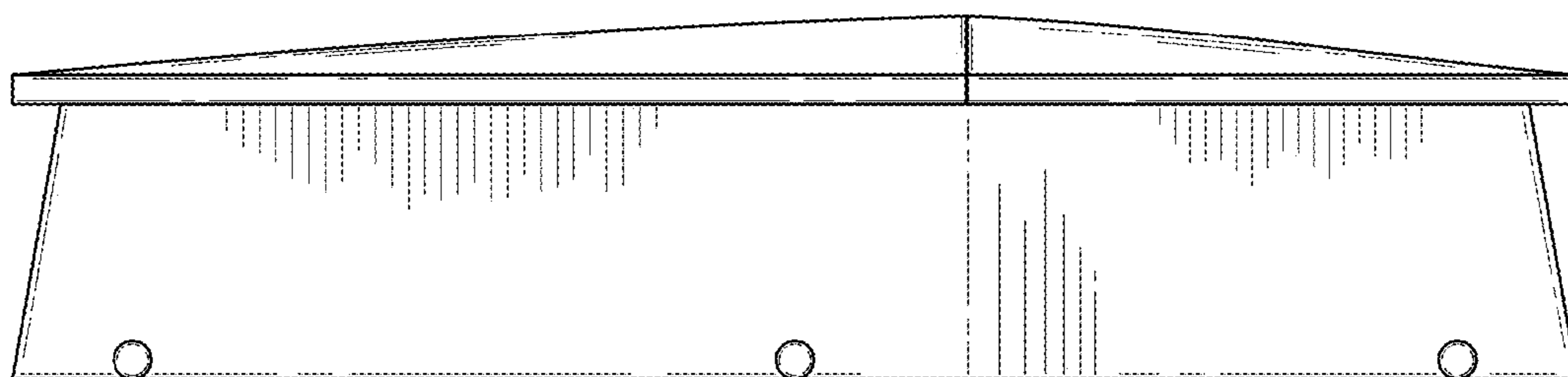


FIG. 4

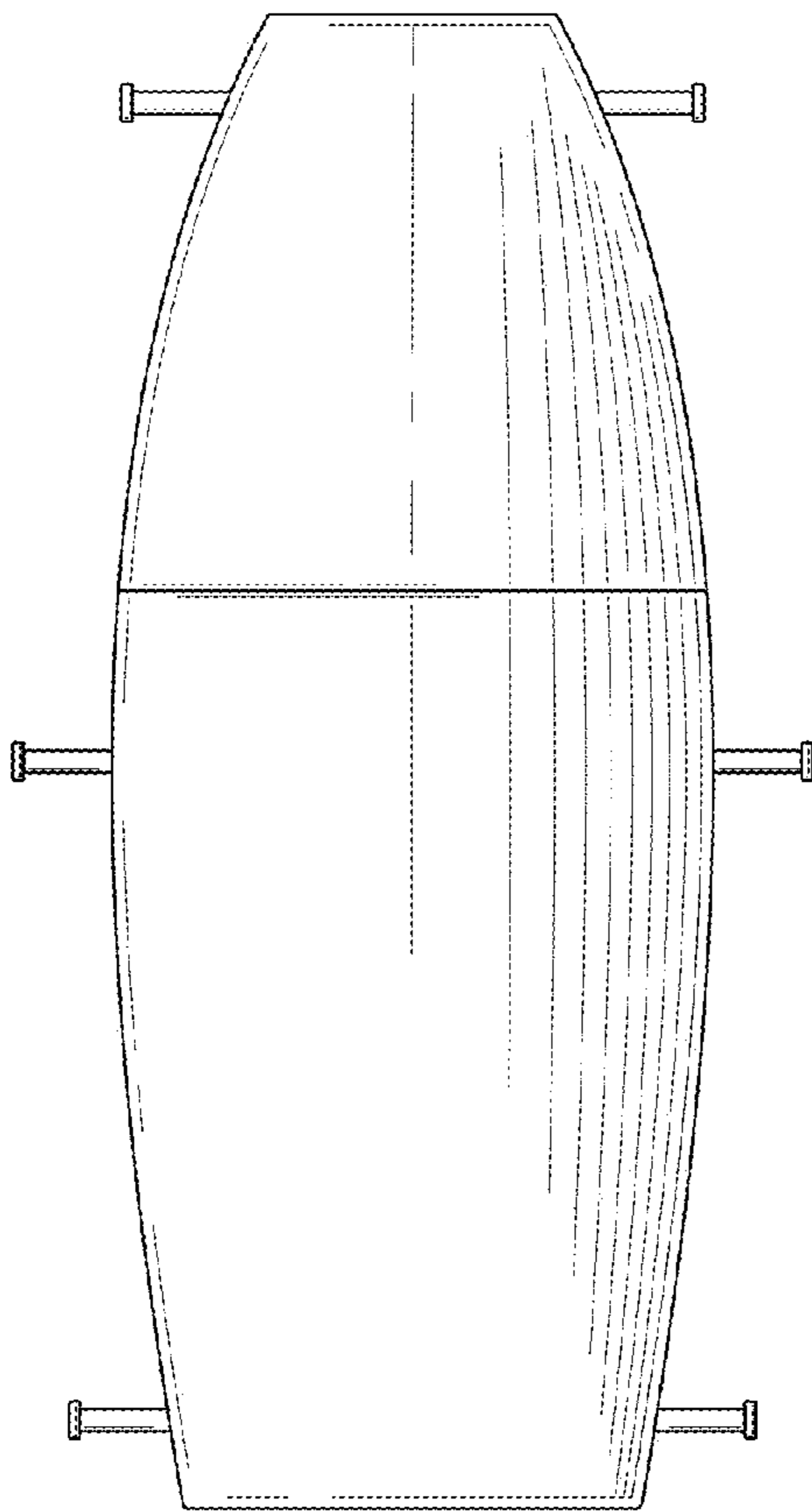


FIG. 5

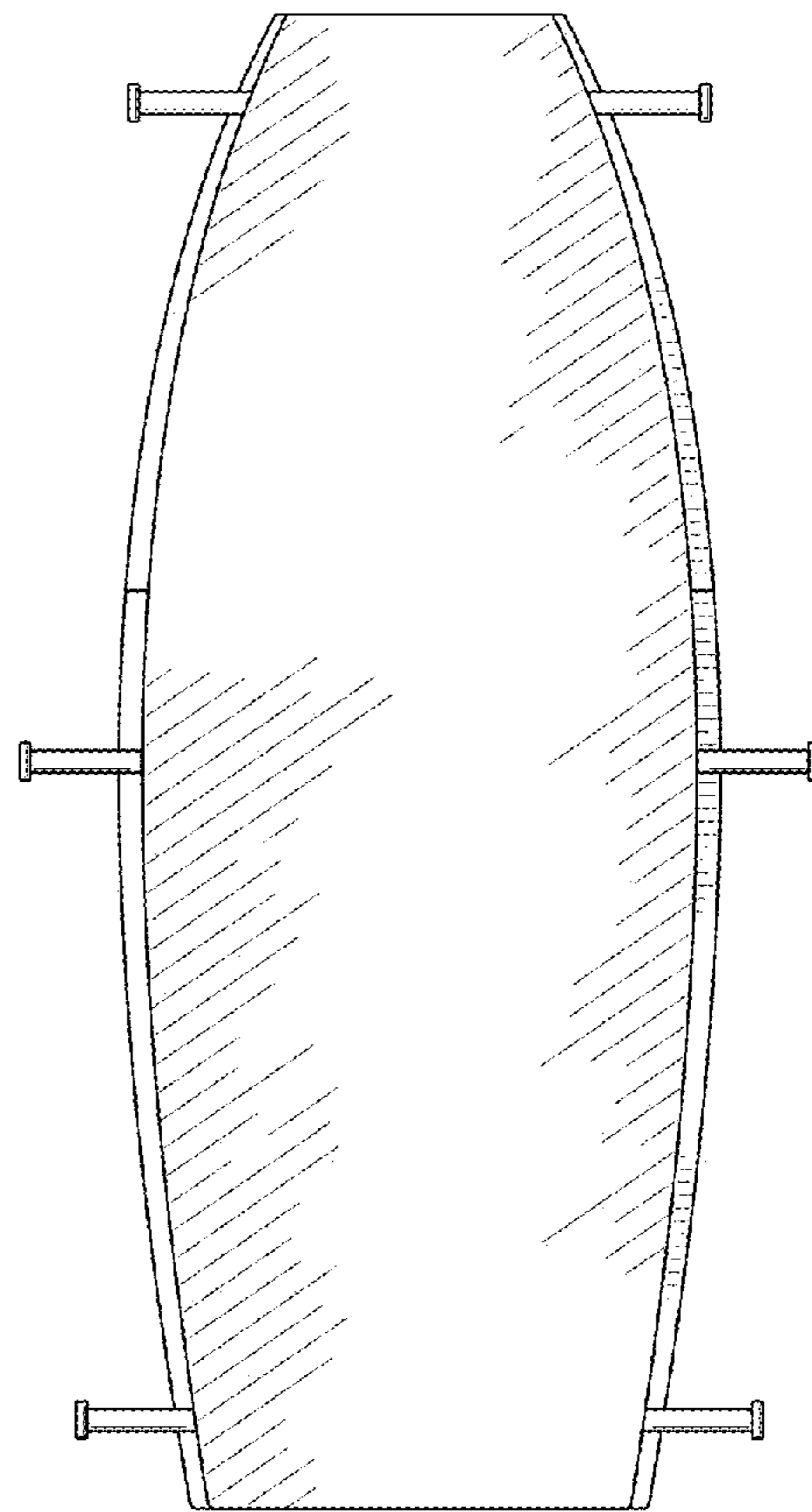


FIG. 6