



US00D739635S

(12) **United States Design Patent**
Peterson et al.

(10) **Patent No.:** **US D739,635 S**

(45) **Date of Patent:** **** Sep. 22, 2015**

(54) **CONVEYOR BELT SCRAPER BLADE BASE MEMBER**

(71) Applicant: **Martin Engineering Company,**
Neponset, IL (US)

(72) Inventors: **Edwin H. Peterson,** Neponset, IL (US);
Paul B. Harrison, Neponset, IL (US)

(73) Assignee: **Martin Engineering Company,**
Neponset, IL (US)

(**) Term: **14 Years**

(21) Appl. No.: **29/496,386**

(22) Filed: **Jul. 11, 2014**

(51) **LOC (10) Cl.** **12-05**

(52) **U.S. Cl.**
USPC **D34/35; D34/29**

(58) **Field of Classification Search**
USPC D34/29, 35; D8/45; 198/635, 499, 497;
D25/124

CPC B65G 45/14; B65G 45/12; B65G 45/16;
B65G 45/26; B65G 45/20; B65G 2203/042
See application file for complete search history.

(56) **References Cited**

U.S. PATENT DOCUMENTS

4,811,833	A *	3/1989	Slikker	198/499
4,984,326	A *	1/1991	Horie et al.	15/256.5
D347,918	S *	6/1994	Gibbs	D34/29
D357,563	S *	4/1995	Vosbikian	D32/41
5,438,400	A *	8/1995	Kuribayashi et al.	399/350
D369,886	S *	5/1996	McCollum	D32/46
D371,610	S *	7/1996	Hsiao	D25/124
D371,611	S *	7/1996	Hsiao	D25/124

D371,612	S *	7/1996	Hsiao	D25/124
5,797,587	A *	8/1998	Schumacher	251/129.21
5,802,662	A *	9/1998	Veazie, III	15/250.48
5,887,702	A *	3/1999	Mott	198/499
6,056,112	A *	5/2000	Wiggins	198/499
6,401,911	B1 *	6/2002	Swinderman	198/499
6,439,373	B1 *	8/2002	Swinderman	198/499
6,457,575	B2 *	10/2002	Swinderman	198/499
D632,045	S *	2/2011	Kotze	D34/35
D702,013	S *	4/2014	Childs et al.	D34/29
D702,014	S *	4/2014	Childs et al.	D34/29
D710,564	S *	8/2014	Yang	D34/35
2003/0066737	A1 *	4/2003	Malmberg	198/497
2003/0230466	A1 *	12/2003	Swinderman et al.	198/497
2004/0188224	A1 *	9/2004	Kolodziej et al.	198/499
2007/0089968	A1 *	4/2007	Swinderman	198/497

* cited by examiner

Primary Examiner — Cynthia Ramirez

(74) *Attorney, Agent, or Firm* — Thompson Coburn LLP;
Clyde L. Smith

(57) **CLAIM**

The ornamental design for a conveyor belt scraper blade base member, as shown and described.

DESCRIPTION

FIG. 1 is a perspective view of the design for a conveyor belt scraper blade base member, showing the front, top and left sides thereof.

FIG. 2 is a left side view of the design, the right side view being a mirror image thereof.

FIG. 3 is a top view of the design.

FIG. 4 is a front view of the design.

FIG. 5 is a bottom view of the design; and,

FIG. 6 is a rear view of the design.

1 Claim, 2 Drawing Sheets

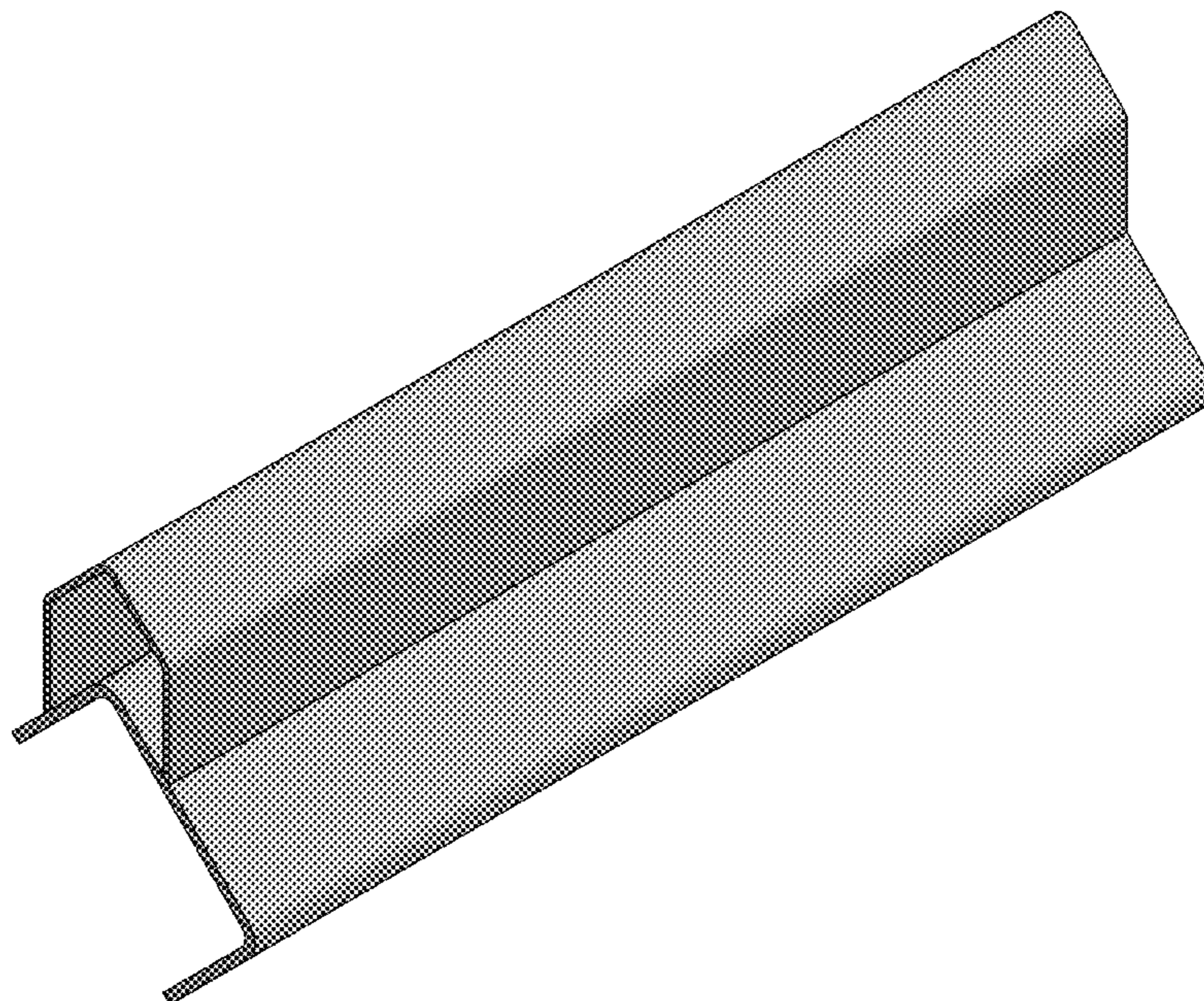


FIG. 1

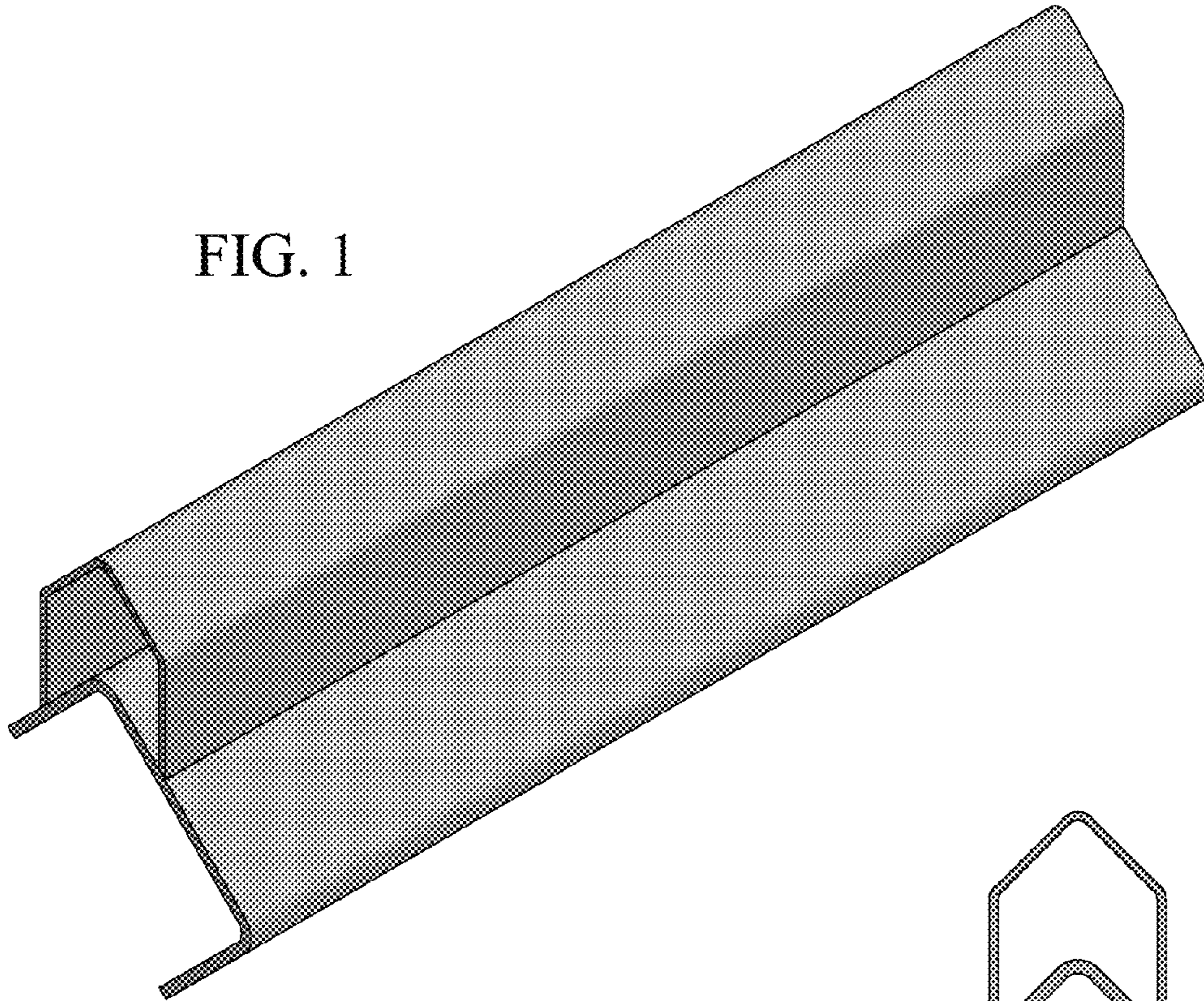


FIG. 2

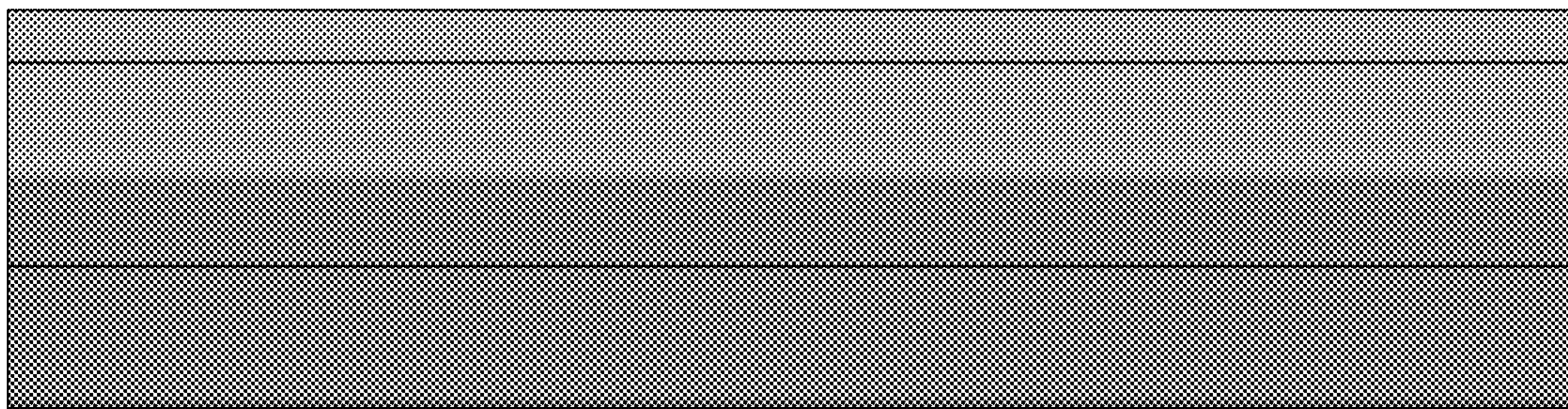
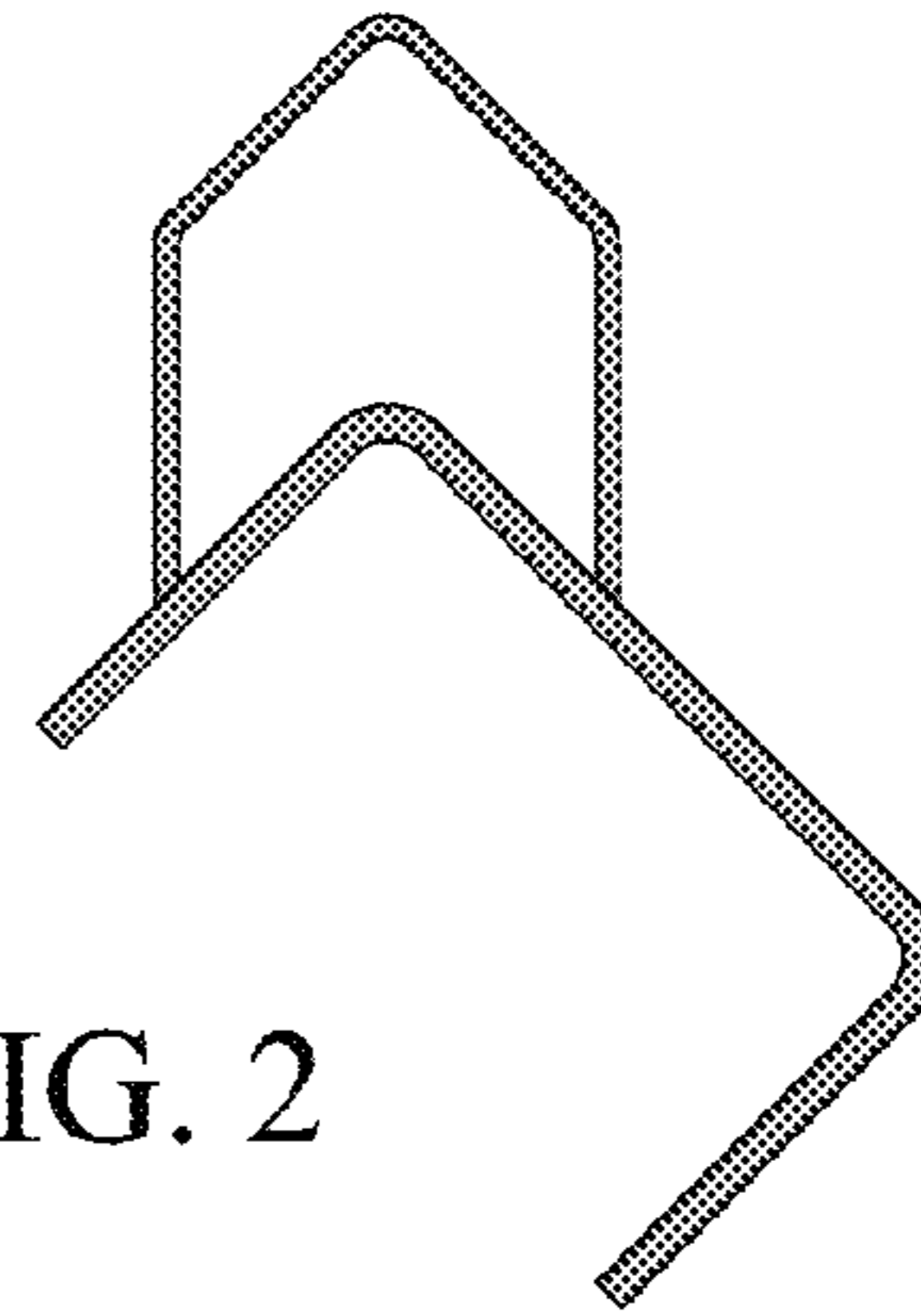


FIG. 3

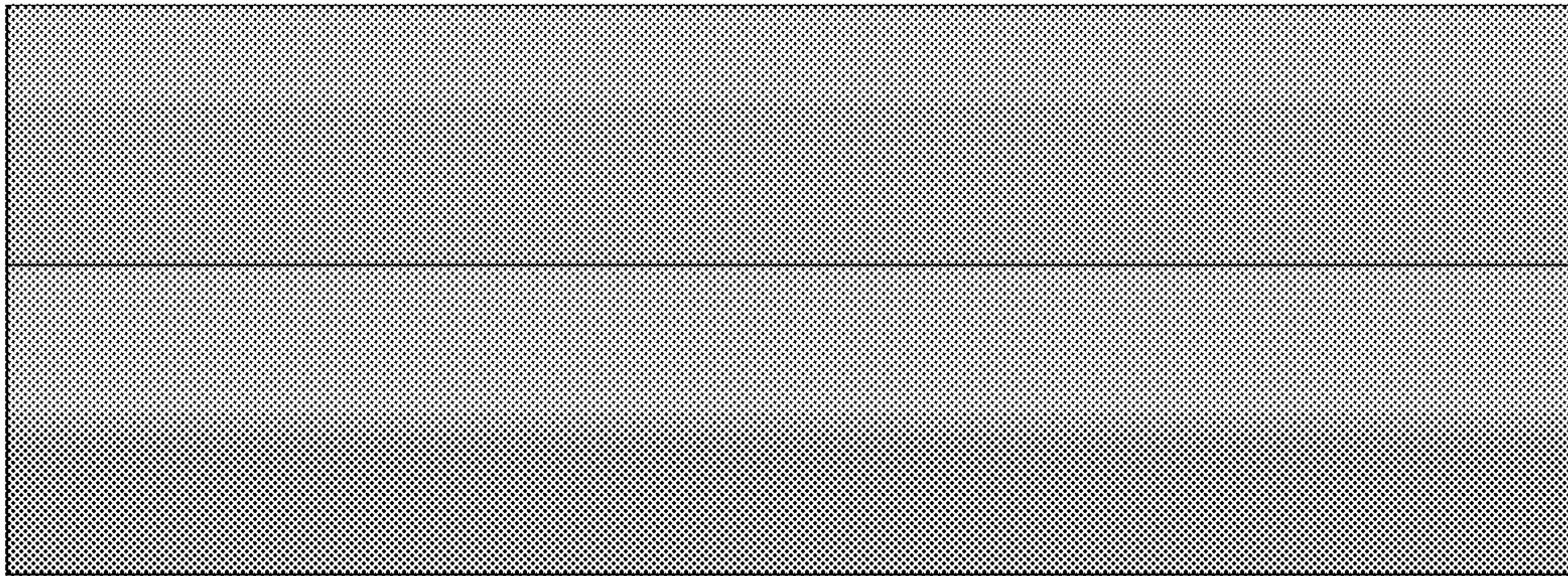


FIG. 4

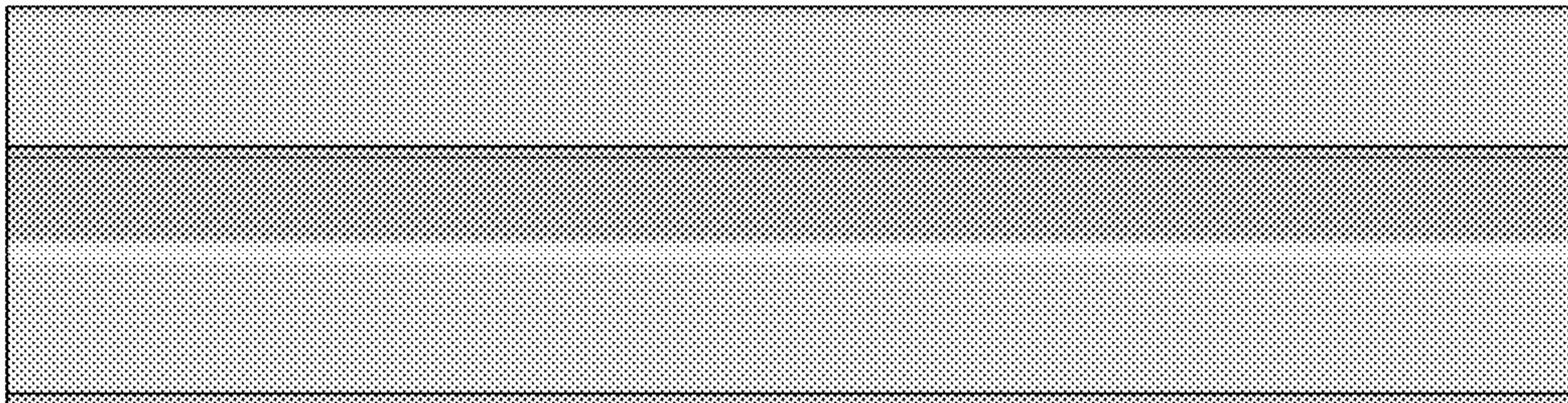


FIG. 5



FIG. 6