



US00D739634S

(12) **United States Design Patent**
Martin

(10) **Patent No.:** **US D739,634 S**

(45) **Date of Patent:** **** Sep. 22, 2015**

(54) **TREE MOUNTABLE HOIST SUPPORT**

(71) Applicant: **Richard E. Martin**, Fallon, NV (US)

(72) Inventor: **Richard E. Martin**, Fallon, NV (US)

(**) Term: **14 Years**

(21) Appl. No.: **29/497,488**

(22) Filed: **Jul. 24, 2014**

(51) **LOC (10) Cl.** **12-05**

(52) **U.S. Cl.**
USPC **D34/33**

(58) **Field of Classification Search**
USPC D34/28, 33, 31; 414/785, 11, 917;
212/294, 295, 901; 187/200, 244, 243;
254/2 R, 8 R
CPC B66D 1/46; B66D 1/54; B66D 1/605;
B66D 1/7489; B66D 3/18
See application file for complete search history.

(56) **References Cited**

U.S. PATENT DOCUMENTS

- 5,049,110 A * 9/1991 Owens 452/187
- 5,184,860 A * 2/1993 Bouillon et al. 294/67.31
- D384,480 S * 9/1997 Patterson D34/36
- D408,608 S * 4/1999 Brown D34/33

- D431,890 S 10/2000 Twilligear et al.
- 6,283,455 B1 * 9/2001 Ascherin et al. 254/334
- D683,515 S * 5/2013 Decker D34/33
- D713,613 S * 9/2014 Miles D34/33
- D730,613 S * 5/2015 Woller D34/33

* cited by examiner

Primary Examiner — Cynthia Ramirez

(74) *Attorney, Agent, or Firm* — Kolisch Hartwell, P.C.

(57) **CLAIM**

The ornamental design for a tree mountable hoist support, as shown and described.

DESCRIPTION

FIG. 1 is a top right isometric view of a tree-mountable hoist support, showing my new design;
 FIG. 2 is a left side elevational view thereof, the right being a mirror image;
 FIG. 3 is a front elevational view thereof;
 FIG. 4 is a rear elevational view thereof;
 FIG. 5 is a top plan view thereof; and,
 FIG. 6 is a bottom plan view.
 The dash-dot broken lines shown in the figures are included for the purpose of illustrating portions of the tree mountable hoist support and form no part of the claimed design.

1 Claim, 4 Drawing Sheets

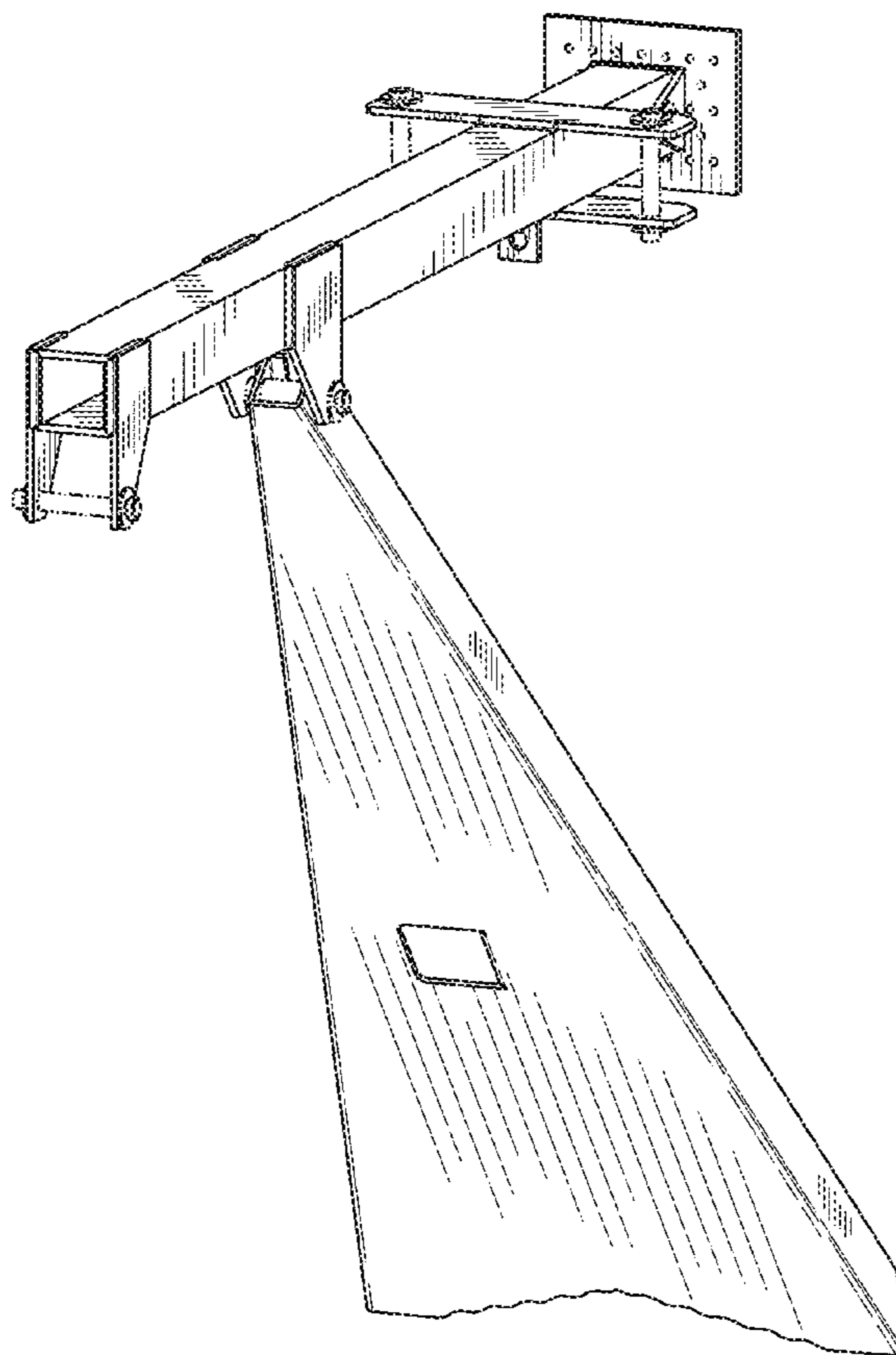
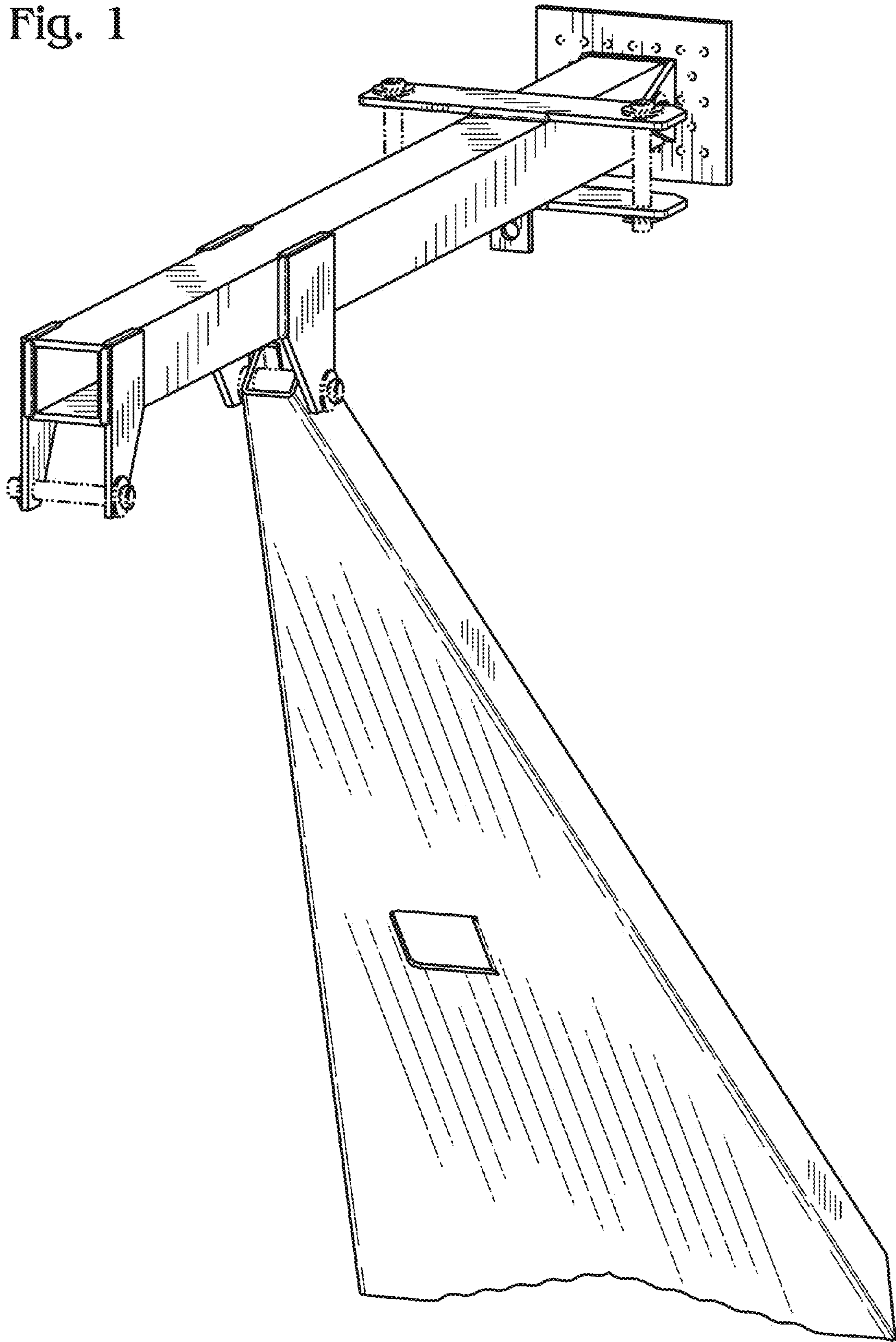


Fig. 1



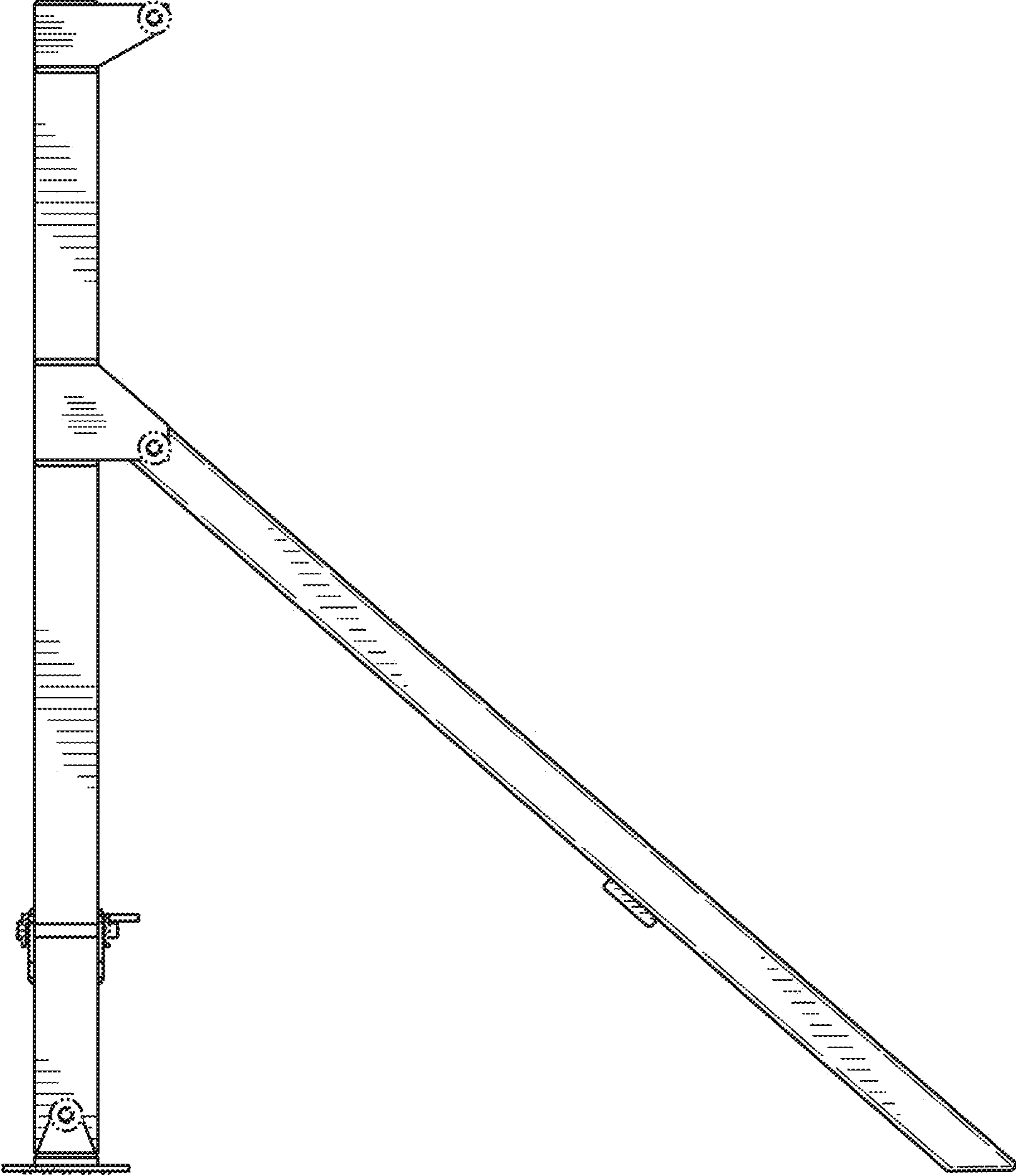


FIG. 2

Fig. 3

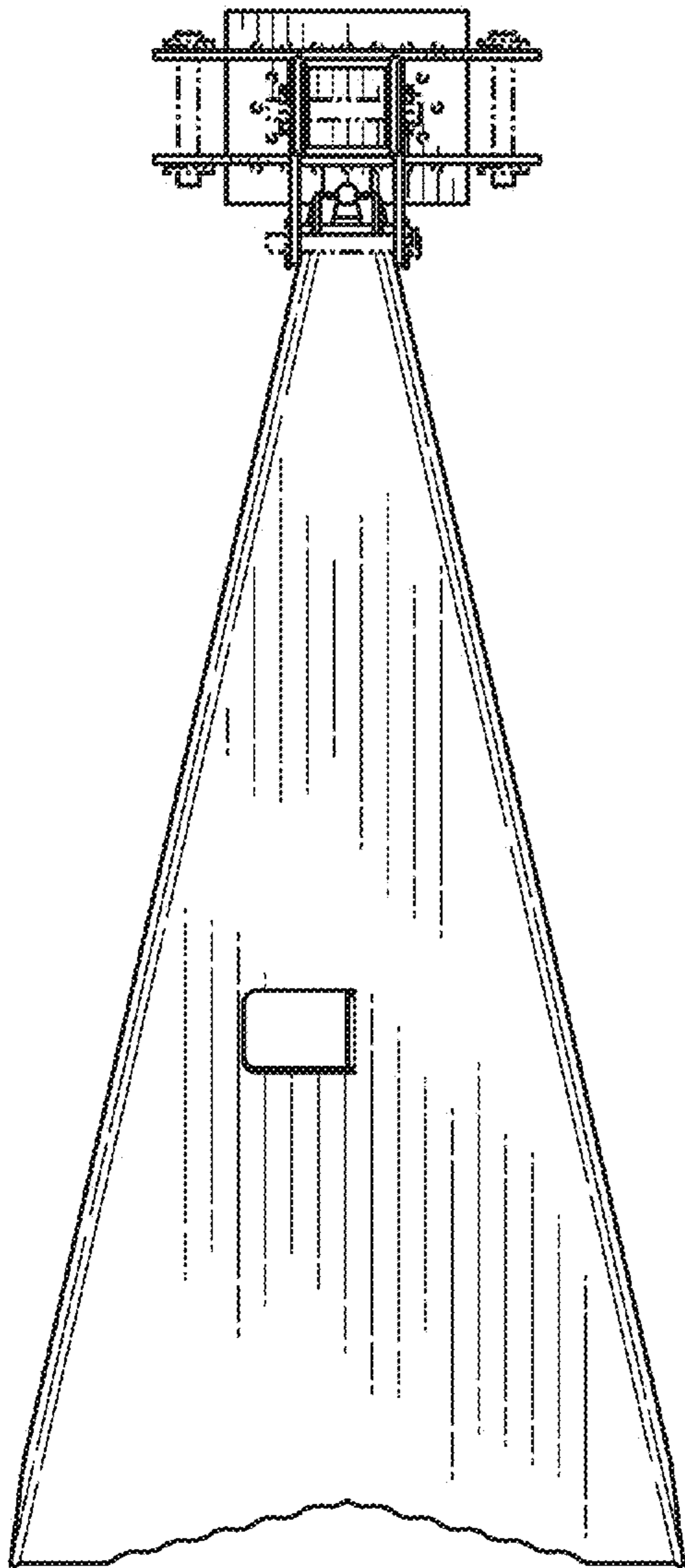


Fig. 4

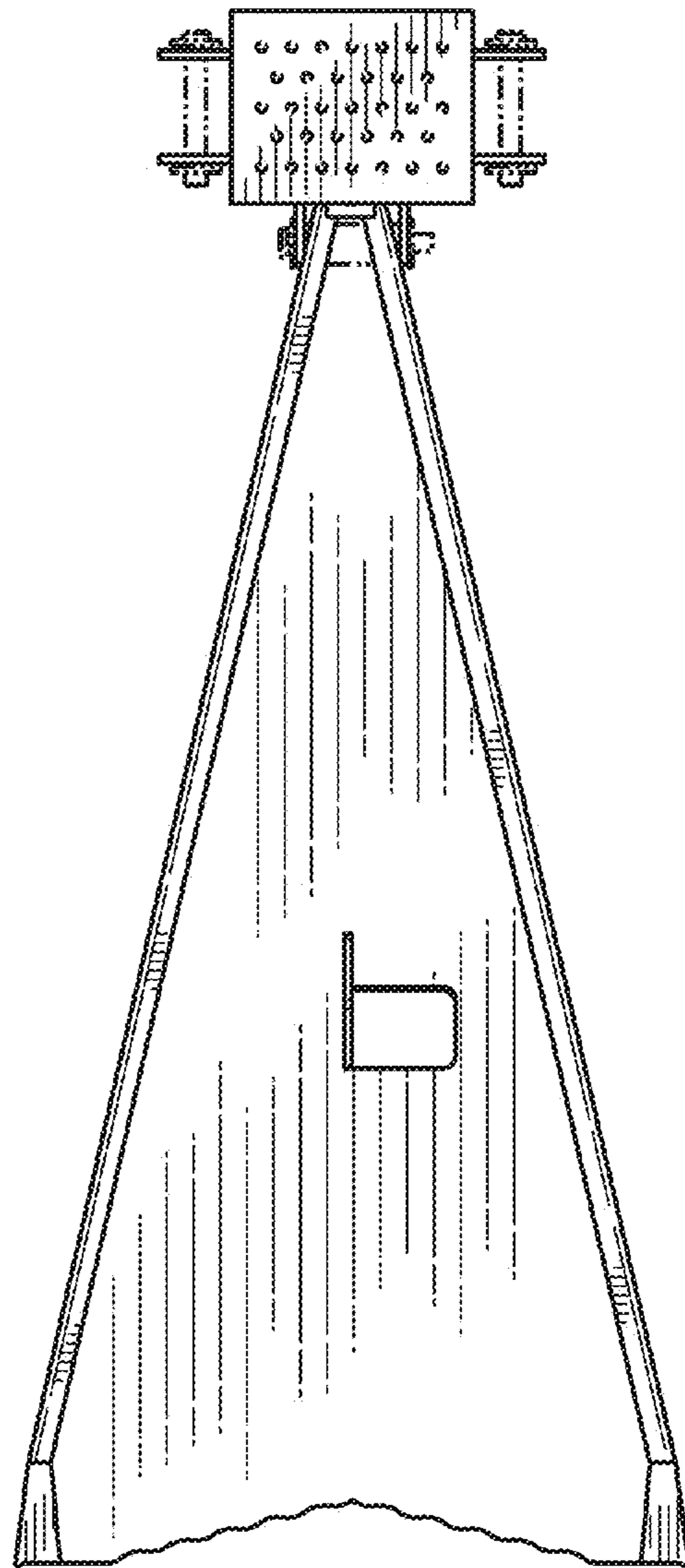


Fig. 5

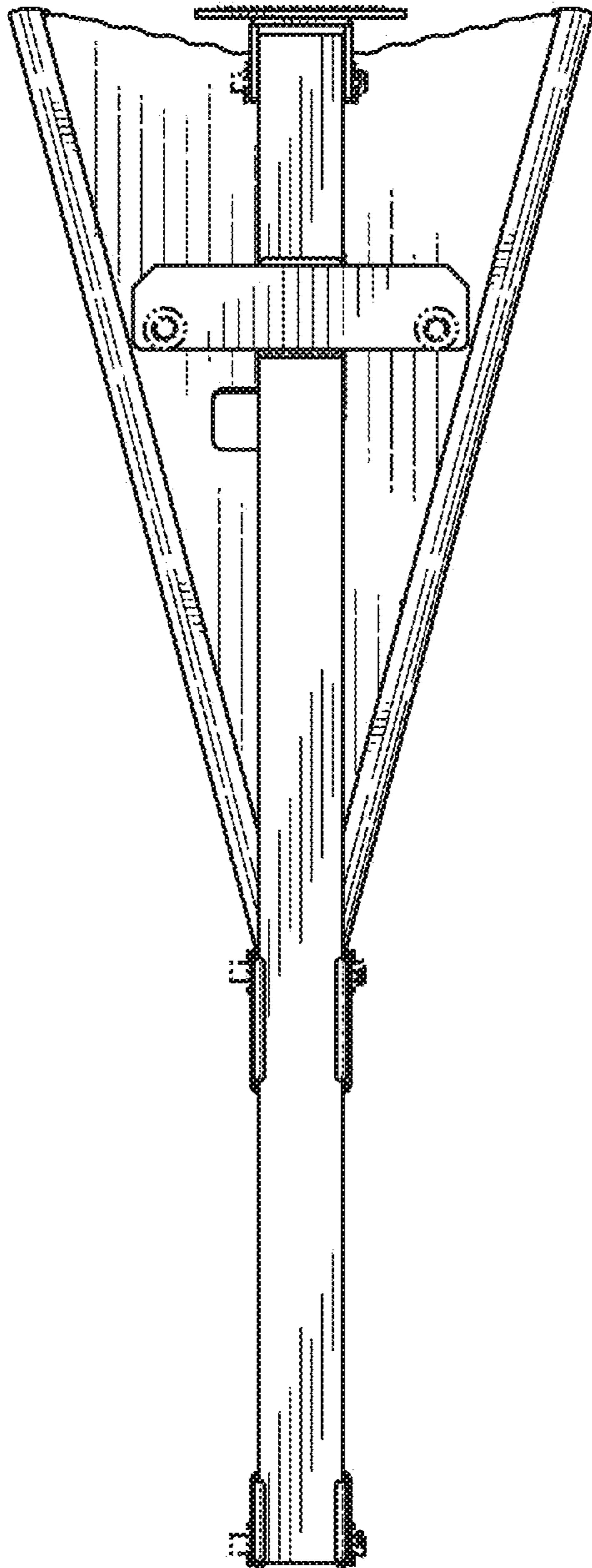


Fig. 6

