



US00D739632S

(12) **United States Design Patent**
Senser

(10) **Patent No.:** **US D739,632 S**

(45) **Date of Patent:** **** Sep. 22, 2015**

(54) **RECYCLING RECEPTACLE**

(56) **References Cited**

(71) Applicant: **Bernard L. Senser**, Columbus, OH (US)

U.S. PATENT DOCUMENTS

(72) Inventor: **Bernard L. Senser**, Columbus, OH (US)

5,538,338	A *	7/1996	Biggers	312/319.9
D468,507	S *	1/2003	McGee	D34/7
6,508,377	B1 *	1/2003	Griswold et al.	220/495.06
D549,420	S *	8/2007	Naber	D34/9
D567,466	S *	4/2008	Lee	D34/9
D674,571	S *	1/2013	Sakaguchi et al.	D34/7
8,544,673	B1 *	10/2013	Polk	220/495.09
D710,063	S *	7/2014	Senser	D34/1

(73) Assignee: **ALUMINUM CAN BANK OF AMERICA, LLC**, Columbus, OH (US)

(**) Term: **14 Years**

* cited by examiner

(21) Appl. No.: **29/492,836**

Primary Examiner — Cynthia Ramirez

(22) Filed: **Jun. 3, 2014**

(74) *Attorney, Agent, or Firm* — Kegler Brown Hill & Ritter; James J. Pingor

Related U.S. Application Data

(57) **CLAIM**

(63) Continuation of application No. 29/454,679, filed on May 13, 2013, now Pat. No. Des. 710,063.

The ornamental design for a recycling receptacle, as shown and described.

(51) **LOC (10) Cl.** **09-09**

DESCRIPTION

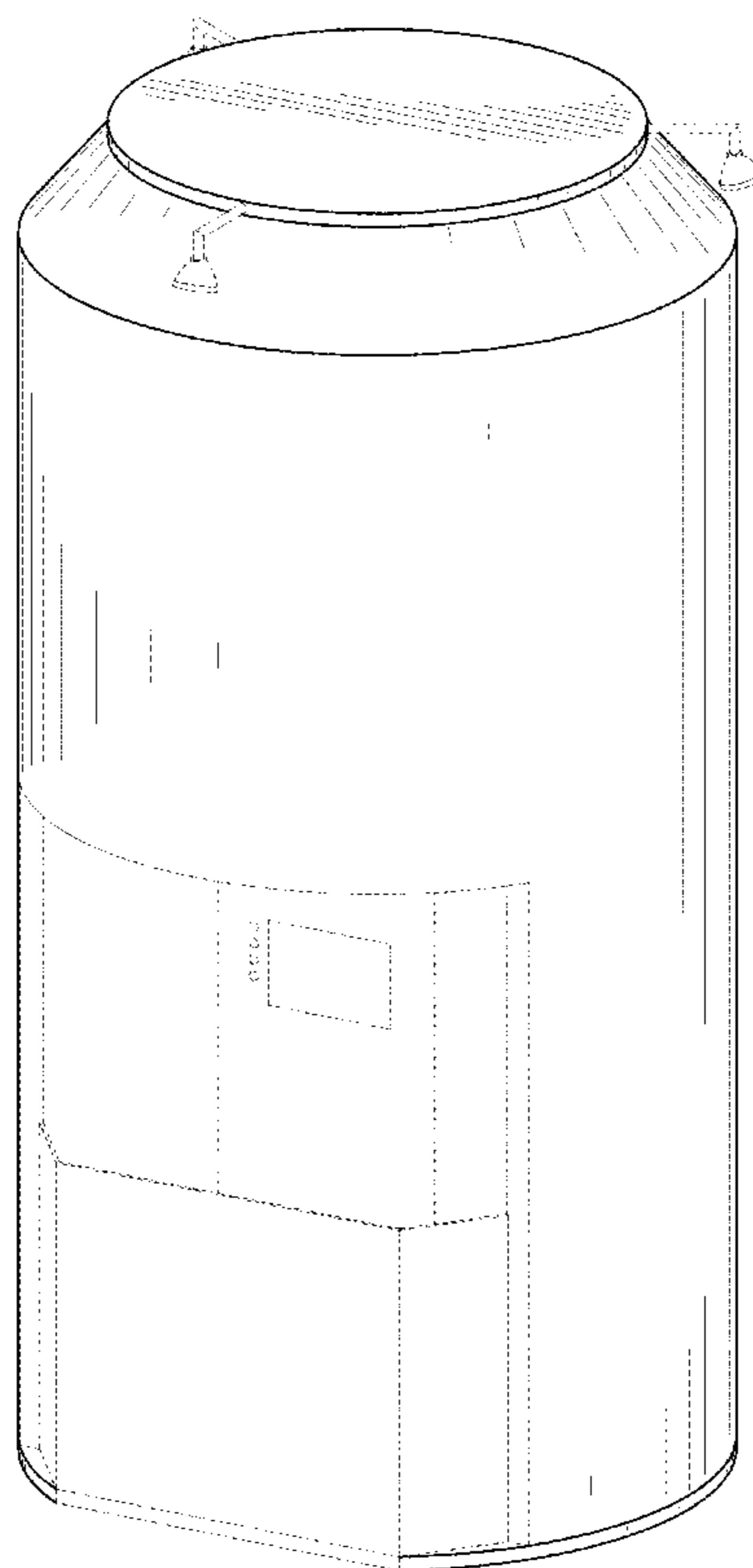
(52) **U.S. Cl.**
USPC **D34/1**

(58) **Field of Classification Search**
USPC D34/1-11; 220/908, 908.1, 909, 911, 220/913
CPC B65F 1/06; B65F 1/1615; B65F 1/1607; B65F 1/163; B65F 1/16

FIG. 1 is a right front perspective view of a recycling receptacle;
FIG. 2 is a front view thereof;
FIG. 3 is a rear view thereof;
FIG. 4 is a right side view thereof;
FIG. 5 is a left side view thereof;
FIG. 6 is a top view thereof; and,
FIG. 7 is a bottom view thereof.

See application file for complete search history.

1 Claim, 6 Drawing Sheets



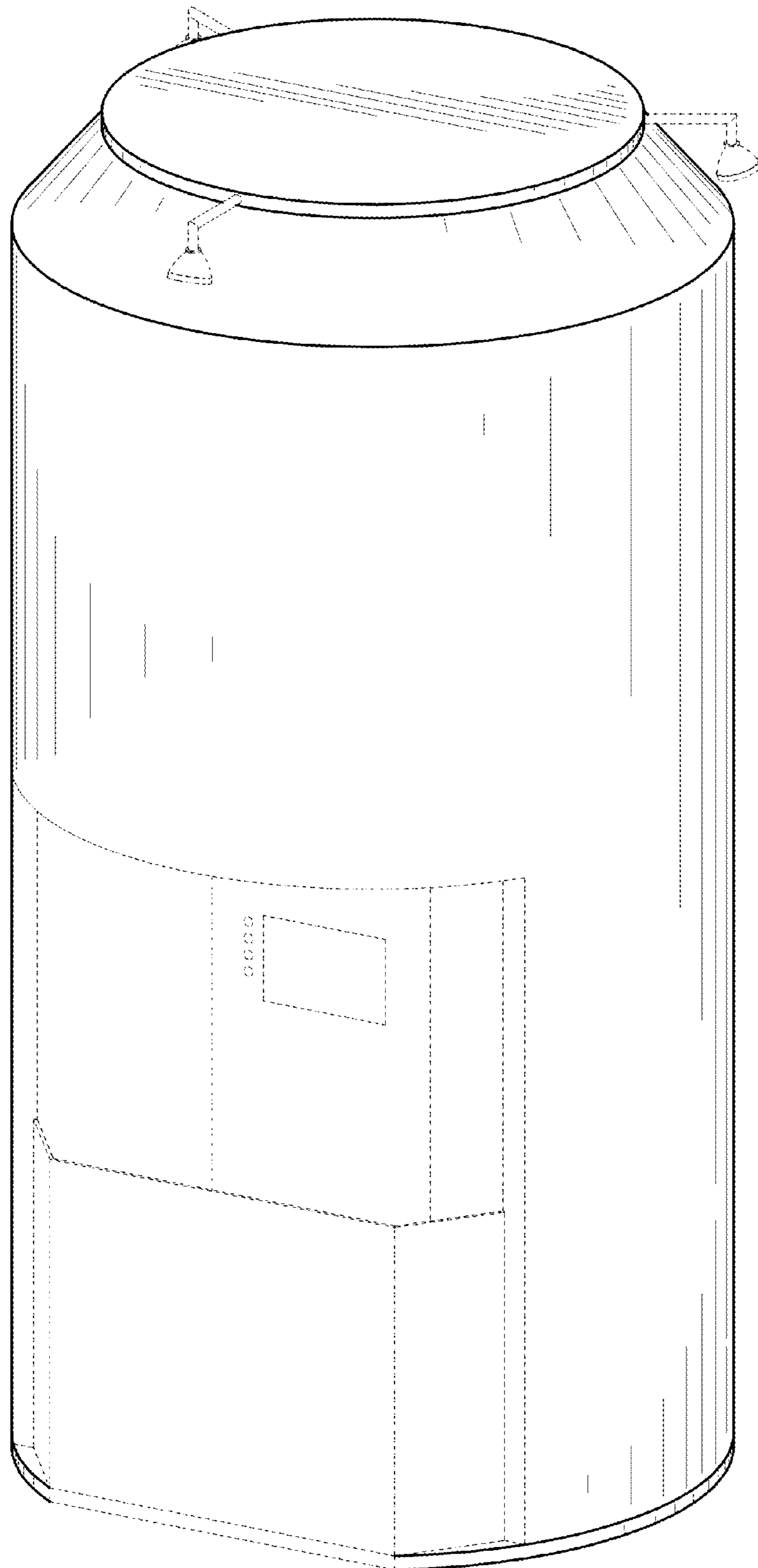


Fig. 1

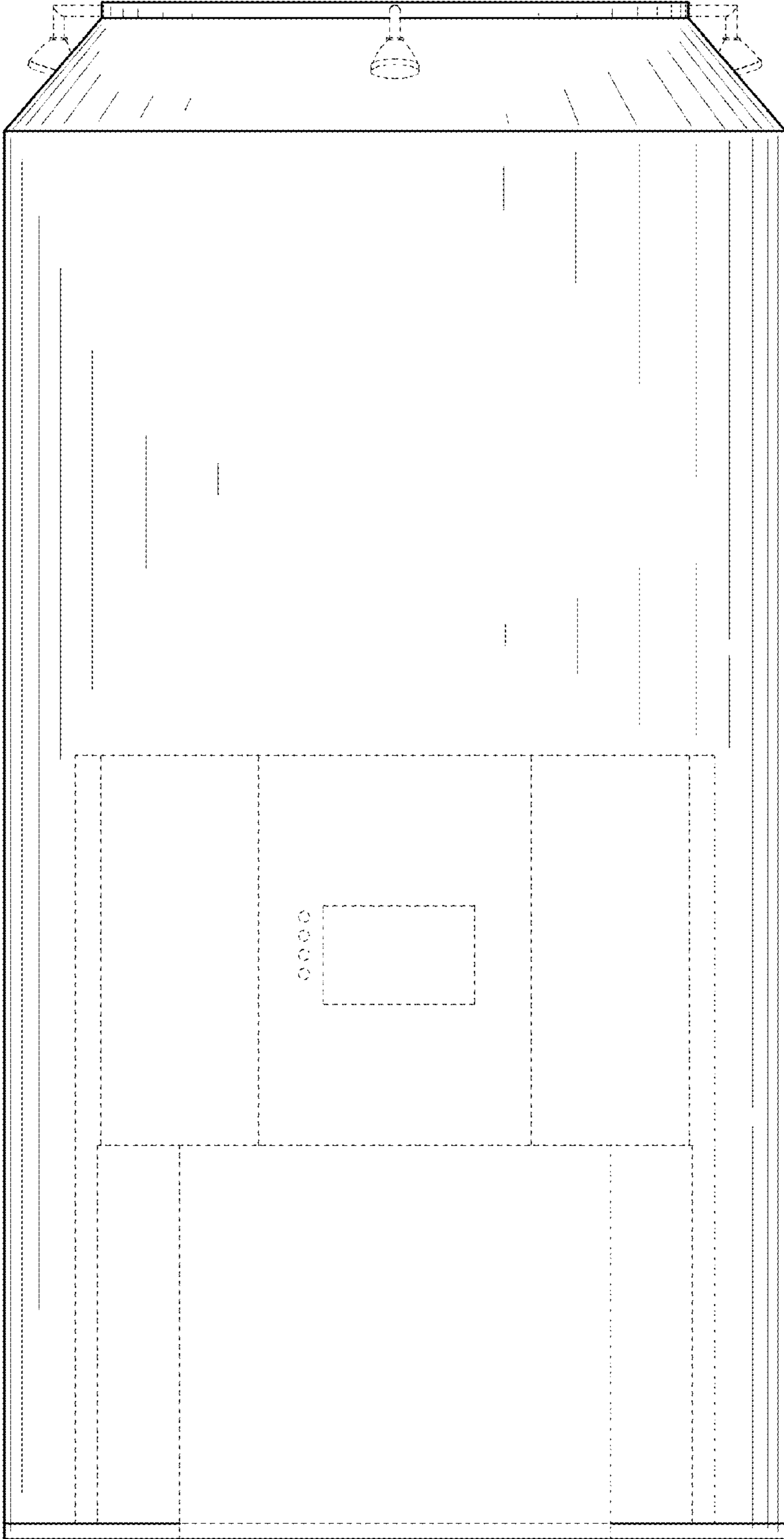


Fig. 2

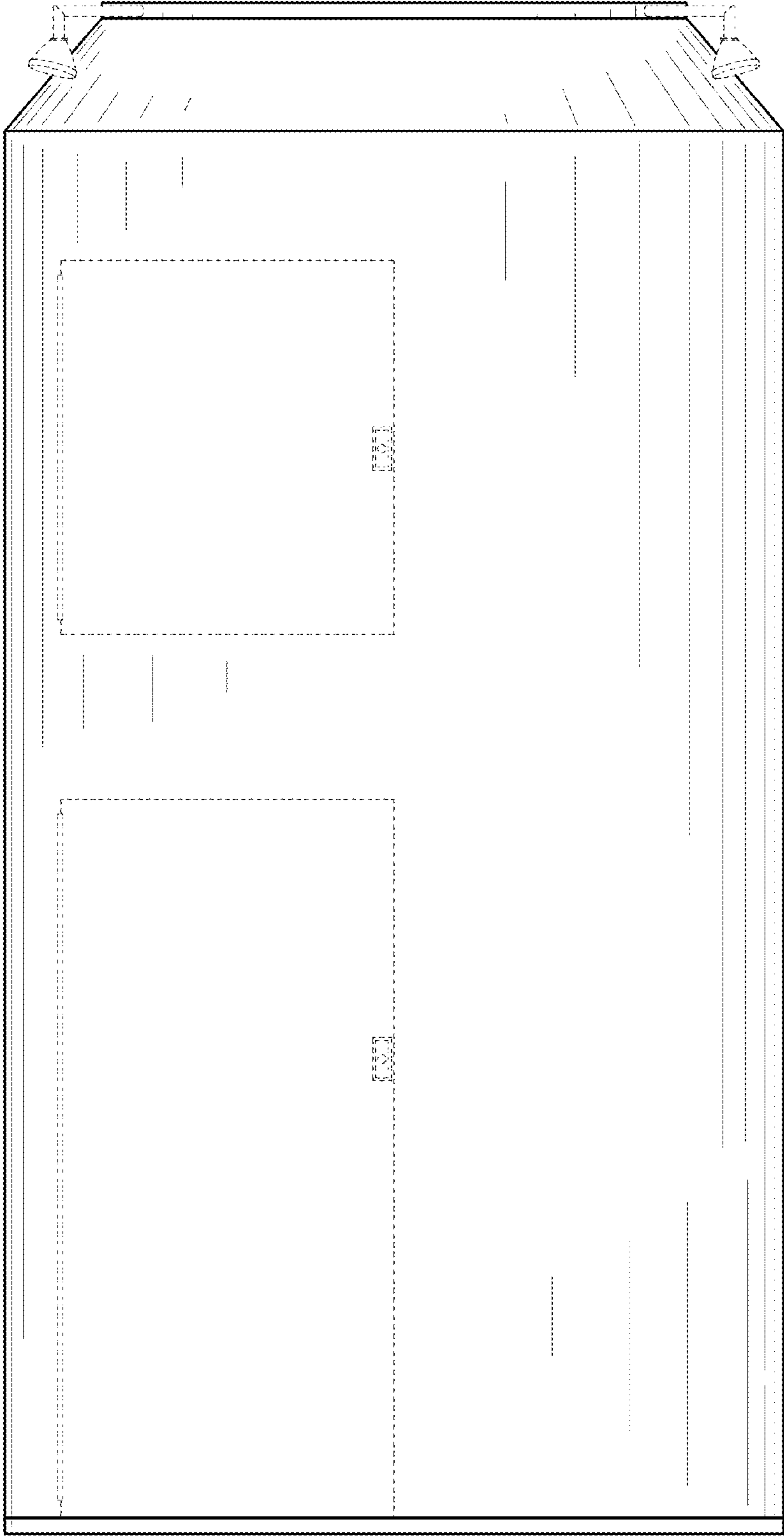


Fig. 3

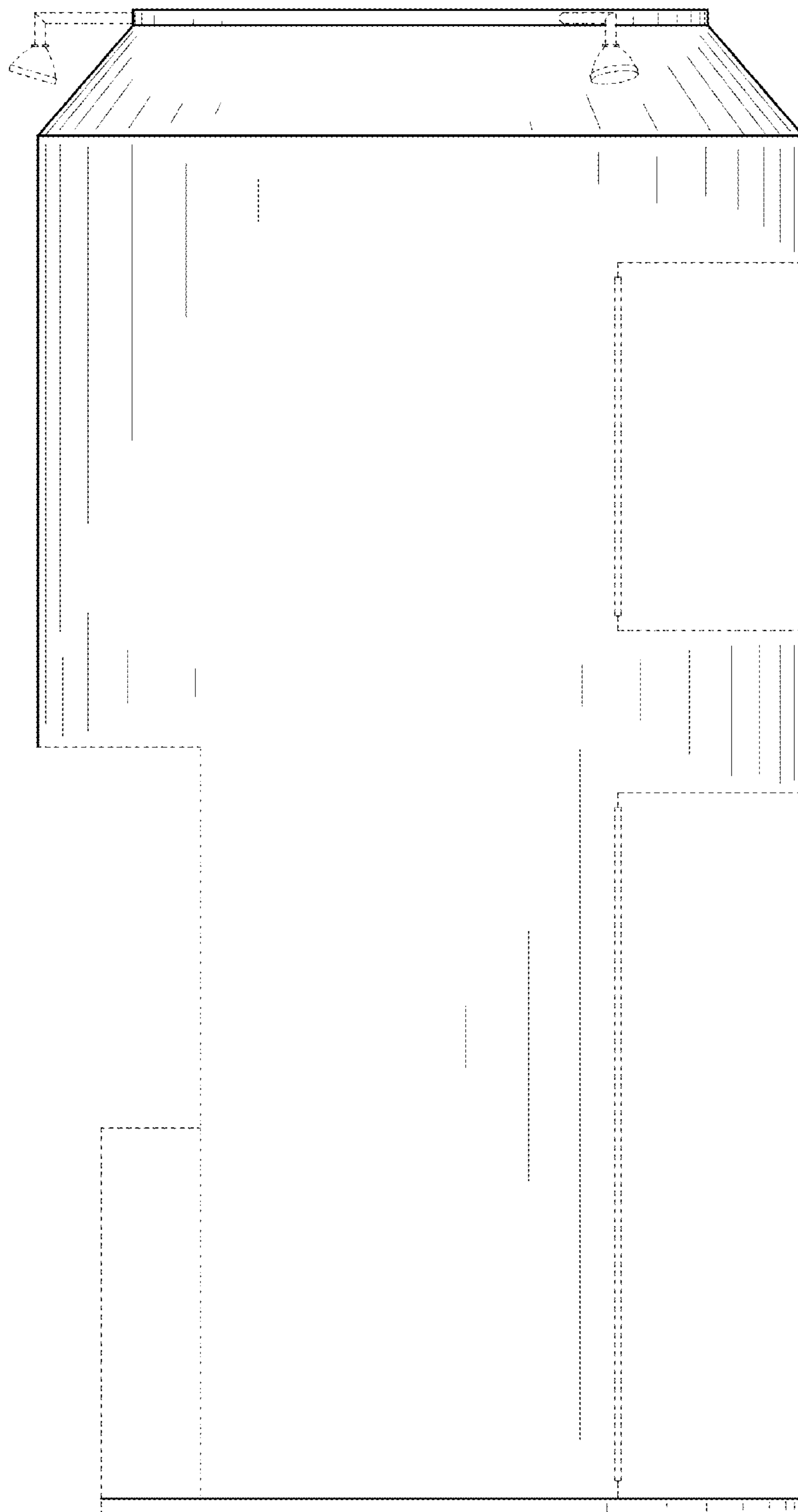


Fig. 4

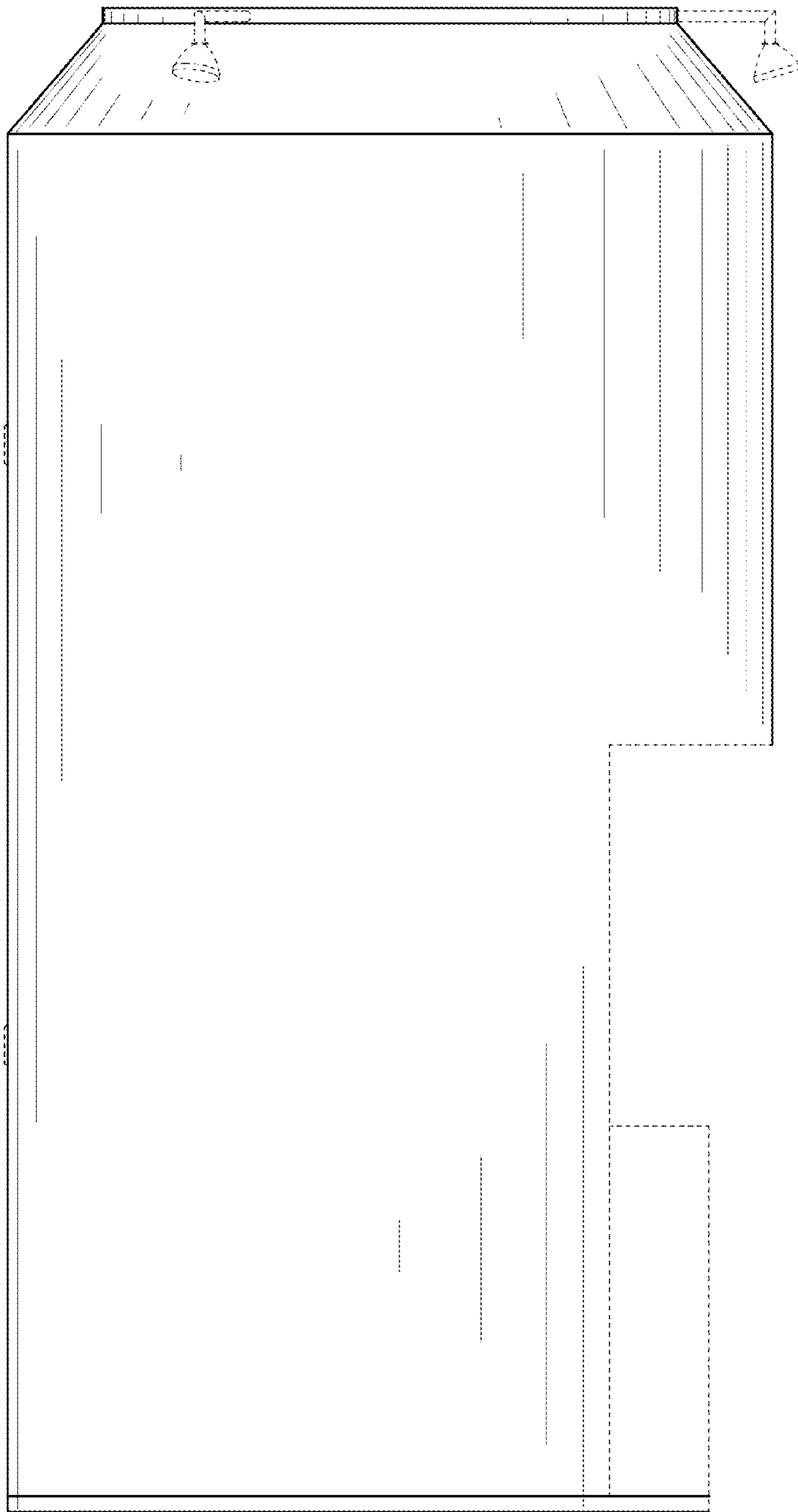


Fig. 5

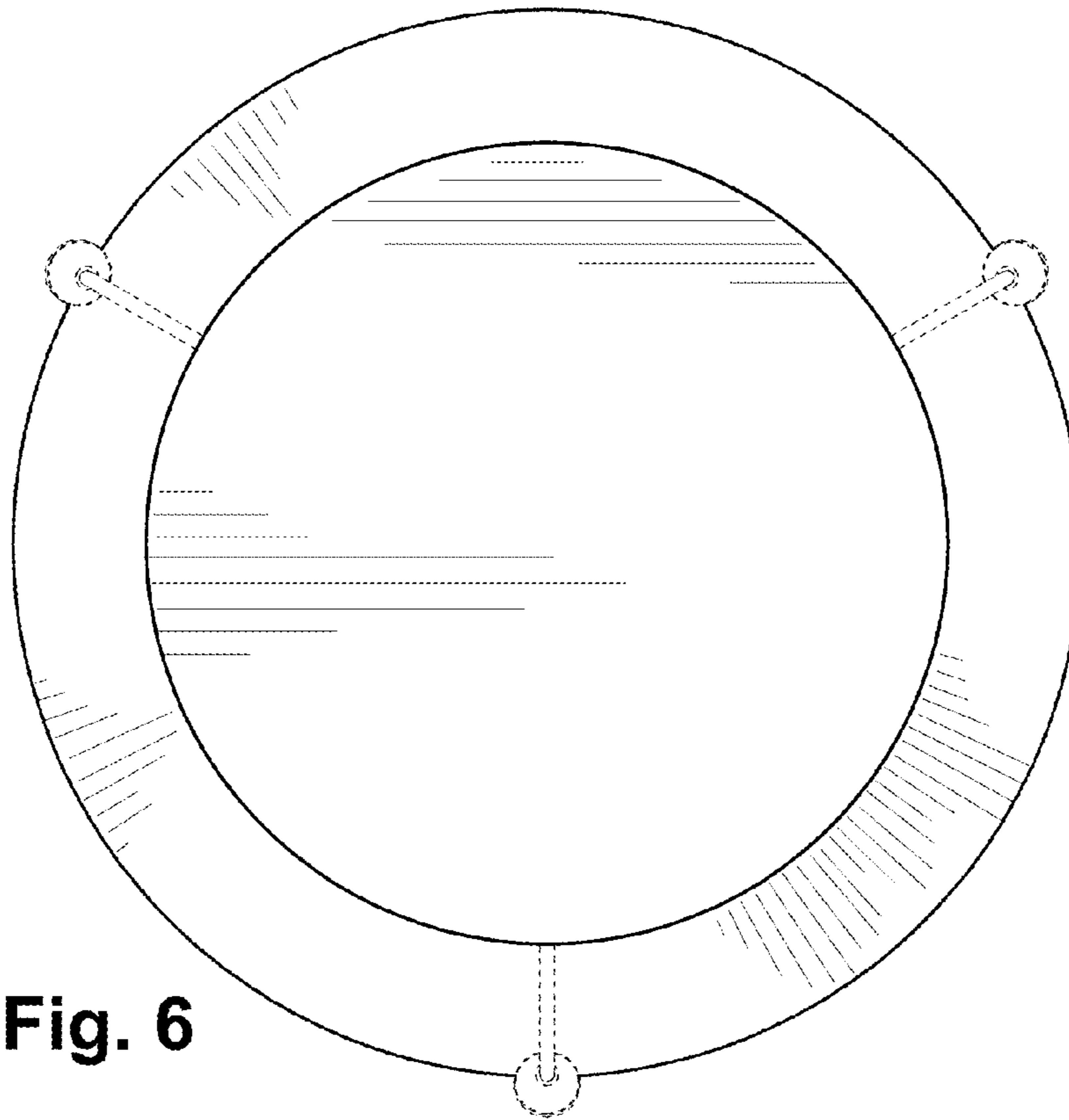


Fig. 6

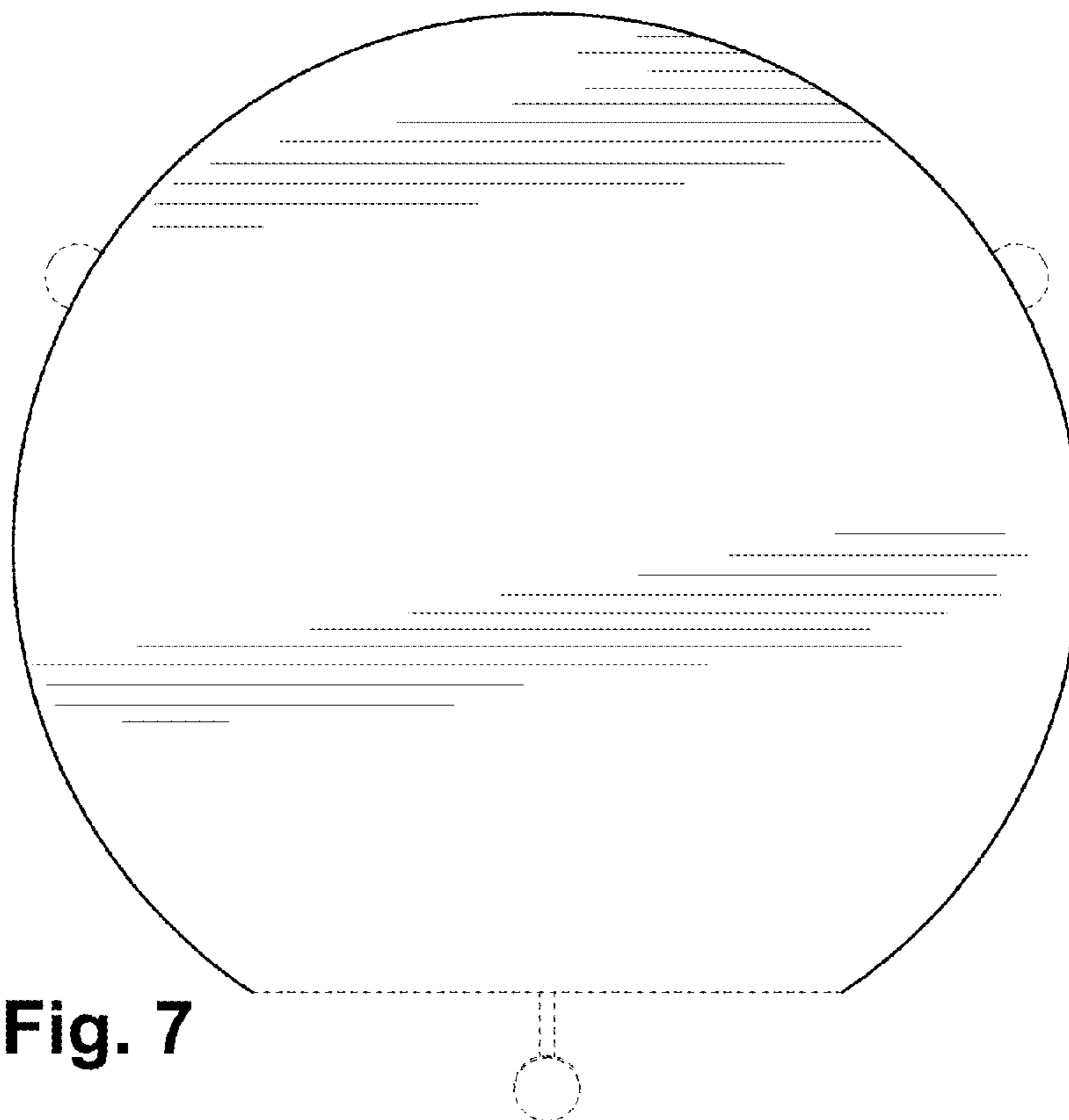


Fig. 7