



US00D739628S

(12) **United States Design Patent**  
**Ouyang**

(10) **Patent No.:** **US D739,628 S**  
(45) **Date of Patent:** **\*\* Sep. 22, 2015**

(54) **SHOE DRYING RACK**

(71) Applicant: **Ningbo Edeans Heating Systems Manufacturing Co., Ltd.**, Zhejiang Province (CN)

(72) Inventor: **Yahong Ouyang**, Zhejiang Province (CN)

(\*\*) Term: **14 Years**

(21) Appl. No.: **29/511,339**

(22) Filed: **Dec. 10, 2014**

(30) **Foreign Application Priority Data**

Aug. 1, 2014 (CN) ..... 2014 3 0267228

(51) **LOC (10) CL.** ..... **07-05**

(52) **U.S. CL.**  
USPC ..... **D32/58**

(58) **Field of Classification Search**  
USPC ..... D32/55, 276, 3; D6/510, 525; D30/133;  
211/41.5, 41.4, 41.3, 41.8; 361/679.4;  
312/311, 333, 334.4; D7/354, 629  
CPC ..... A47J 47/20; A47J 2201/00; A47J 47/00;  
B65D 35/02; B65D 35/22; B65D 35/56  
See application file for complete search history.

(56) **References Cited**

**U.S. PATENT DOCUMENTS**

D292,534 S \* 10/1987 Basaraba ..... D32/58  
D347,094 S \* 5/1994 Christensen, Jr. .... D32/58

D383,274 S \* 9/1997 Wilson ..... D32/58  
D383,276 S \* 9/1997 Janney ..... D32/58  
D412,231 S \* 7/1999 Williams et al. .... D32/58  
D460,295 S \* 7/2002 Fissell et al. .... D6/682.6  
D465,891 S \* 11/2002 Brown ..... D32/55  
D583,119 S \* 12/2008 Sofy et al. .... D32/55  
D639,517 S \* 6/2011 Furtner ..... D32/58  
D641,528 S \* 7/2011 Wai ..... D32/58  
D664,321 S \* 7/2012 Williams ..... D32/58  
D665,549 S \* 8/2012 Kropf et al. .... D32/58  
D670,058 S \* 10/2012 Cooper ..... D32/58  
D682,499 S \* 5/2013 Williams ..... D32/58  
D684,330 S \* 6/2013 Ward ..... D32/58  
D687,203 S \* 7/2013 Long et al. .... D32/58  
D706,009 S \* 5/2014 Cooper ..... D32/55  
8,955,234 B2 \* 2/2015 Williams ..... 34/105

\* cited by examiner

*Primary Examiner* — Austin Murphy

(74) *Attorney, Agent, or Firm* — Prakash Nama; Global IP Services, PLLC

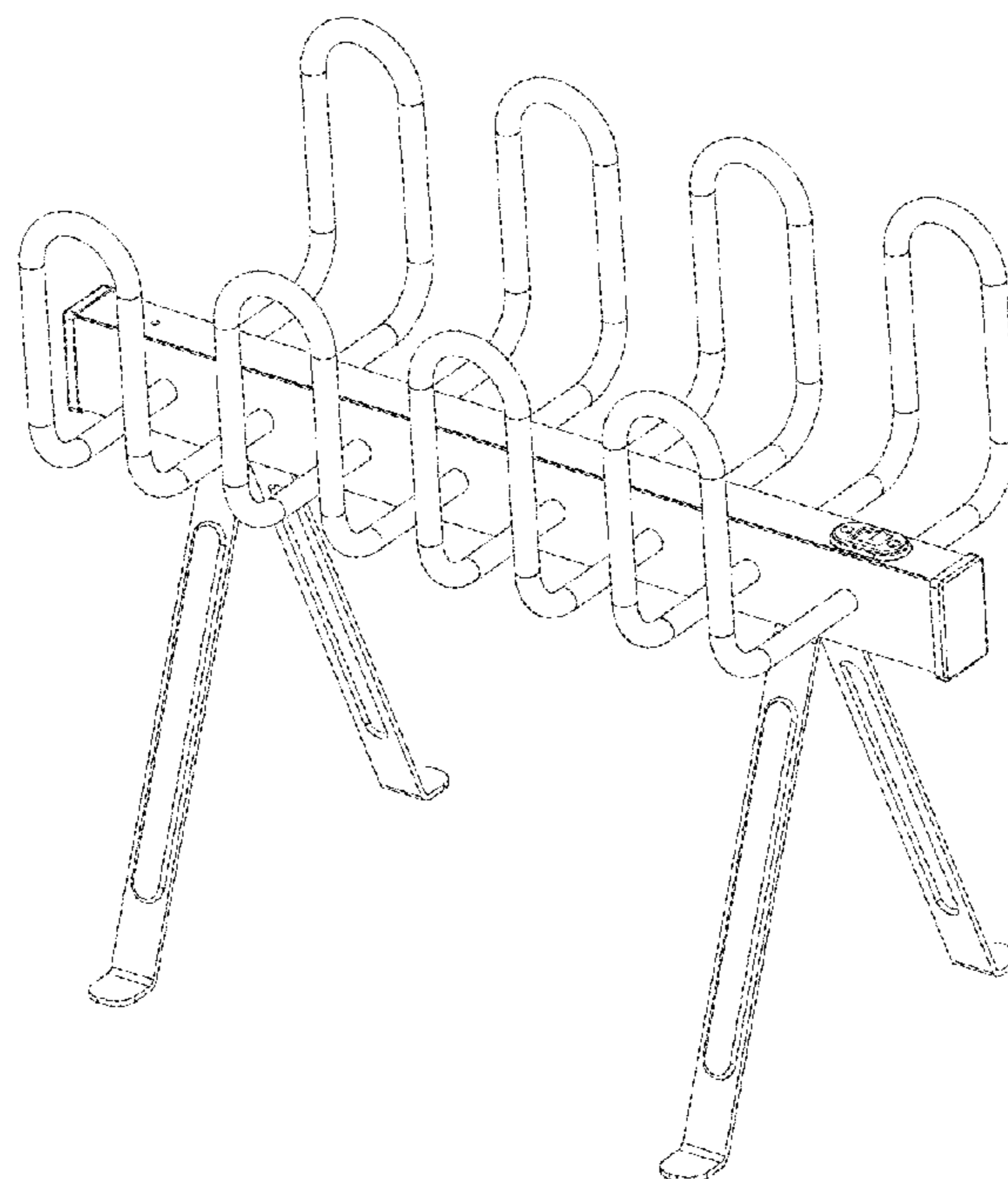
(57) **CLAIM**

The ornamental design for a shoe drying rack, as shown.

**DESCRIPTION**

FIG. 1 is a front elevational view of a shoe drying rack showing my new design;  
FIG. 2 is a rear elevational view thereof;  
FIG. 3 is a left side view thereof;  
FIG. 4 is a right side view thereof;  
FIG. 5 is a top plan view thereof;  
FIG. 6 is a bottom plan view thereof; and,  
FIG. 7 is a perspective view thereof.

**1 Claim, 4 Drawing Sheets**



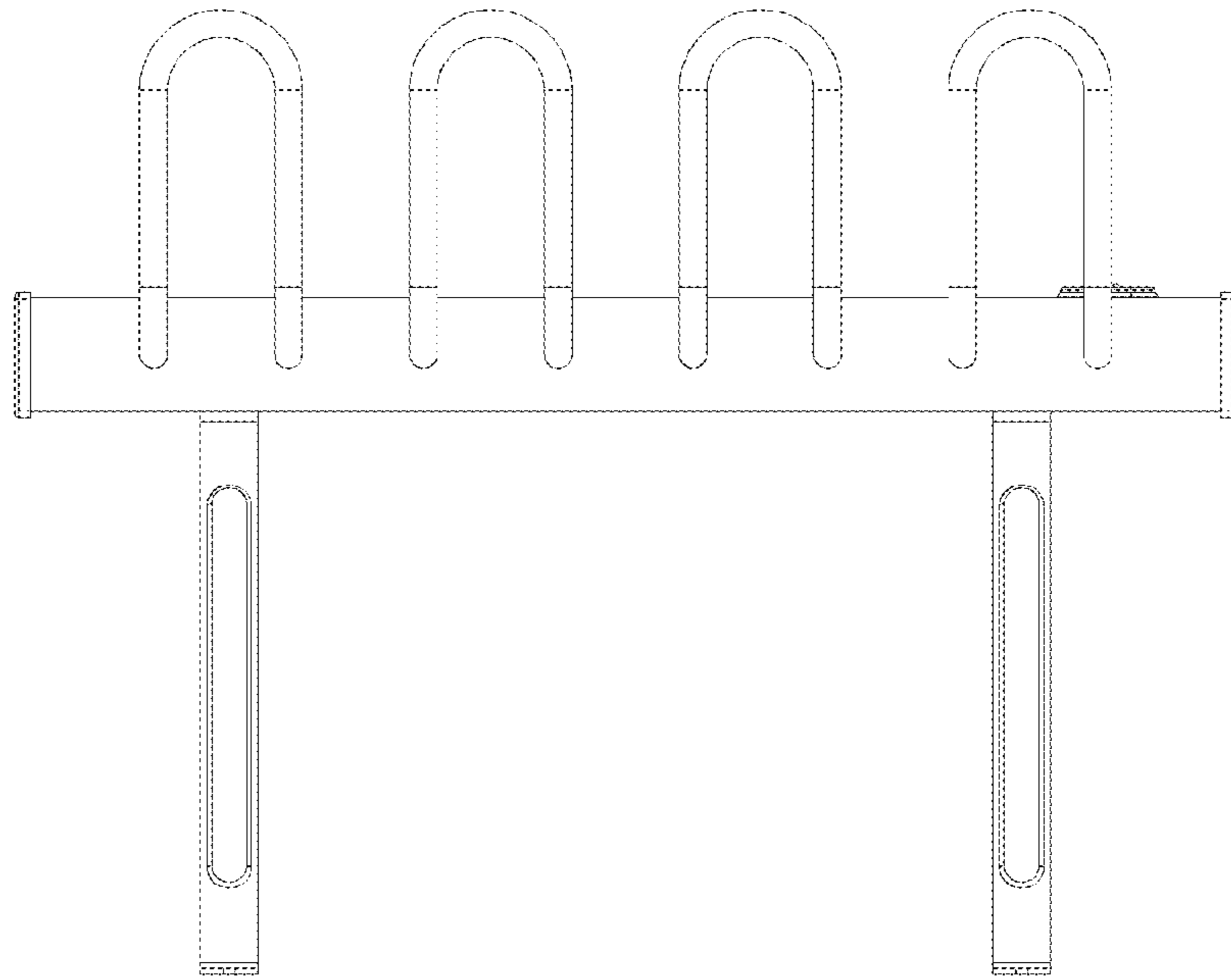


FIG. 1

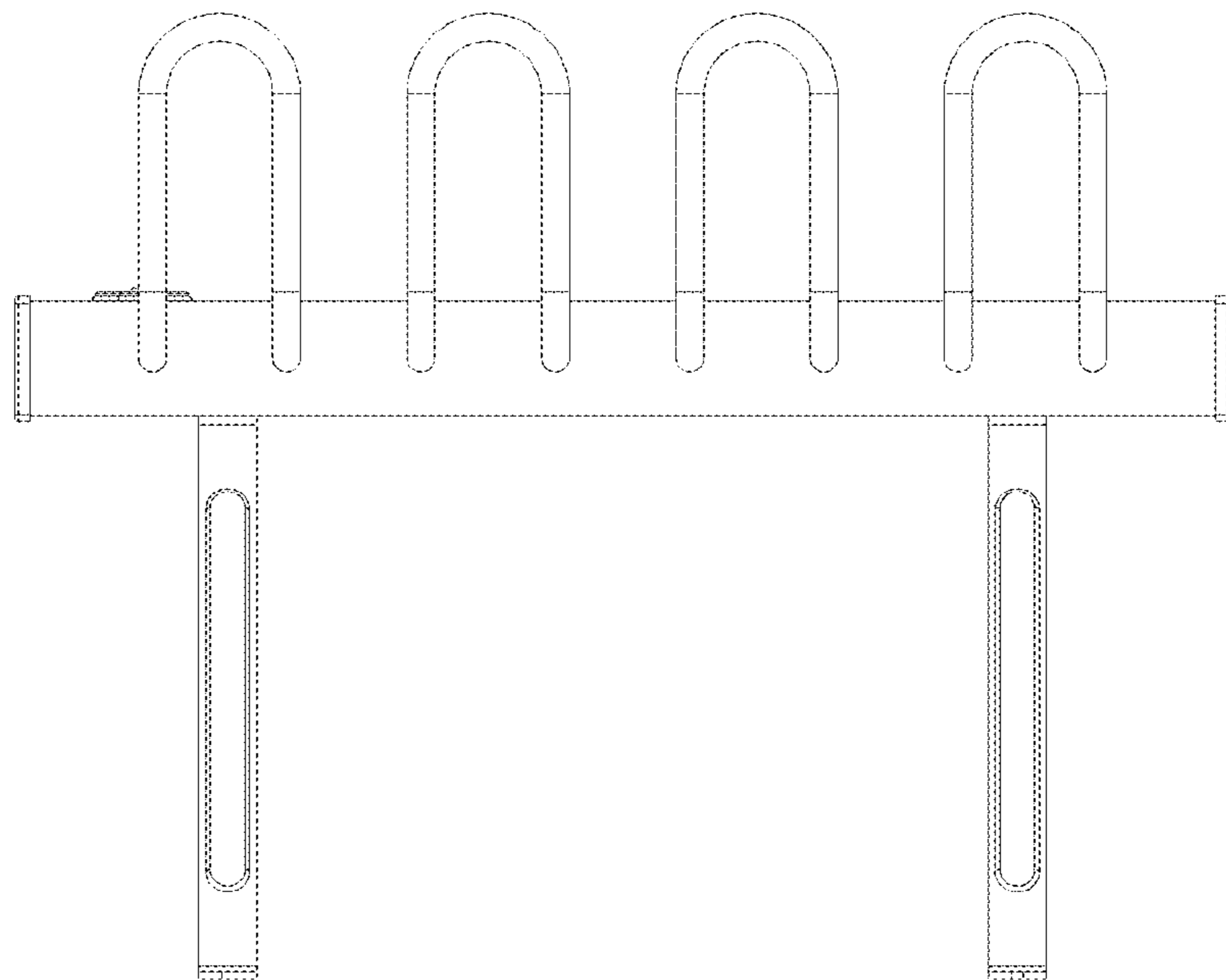


FIG. 2

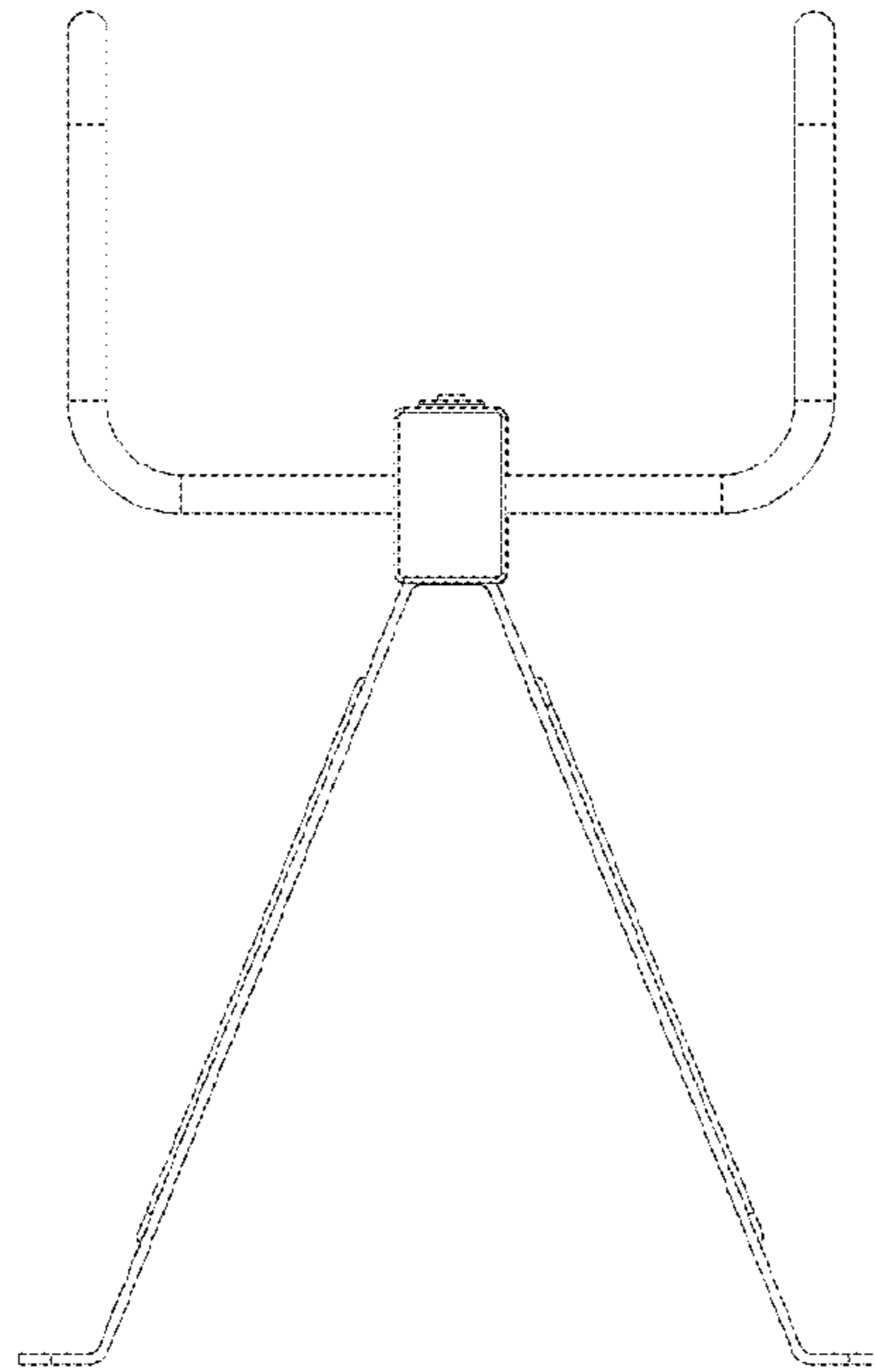


FIG. 3

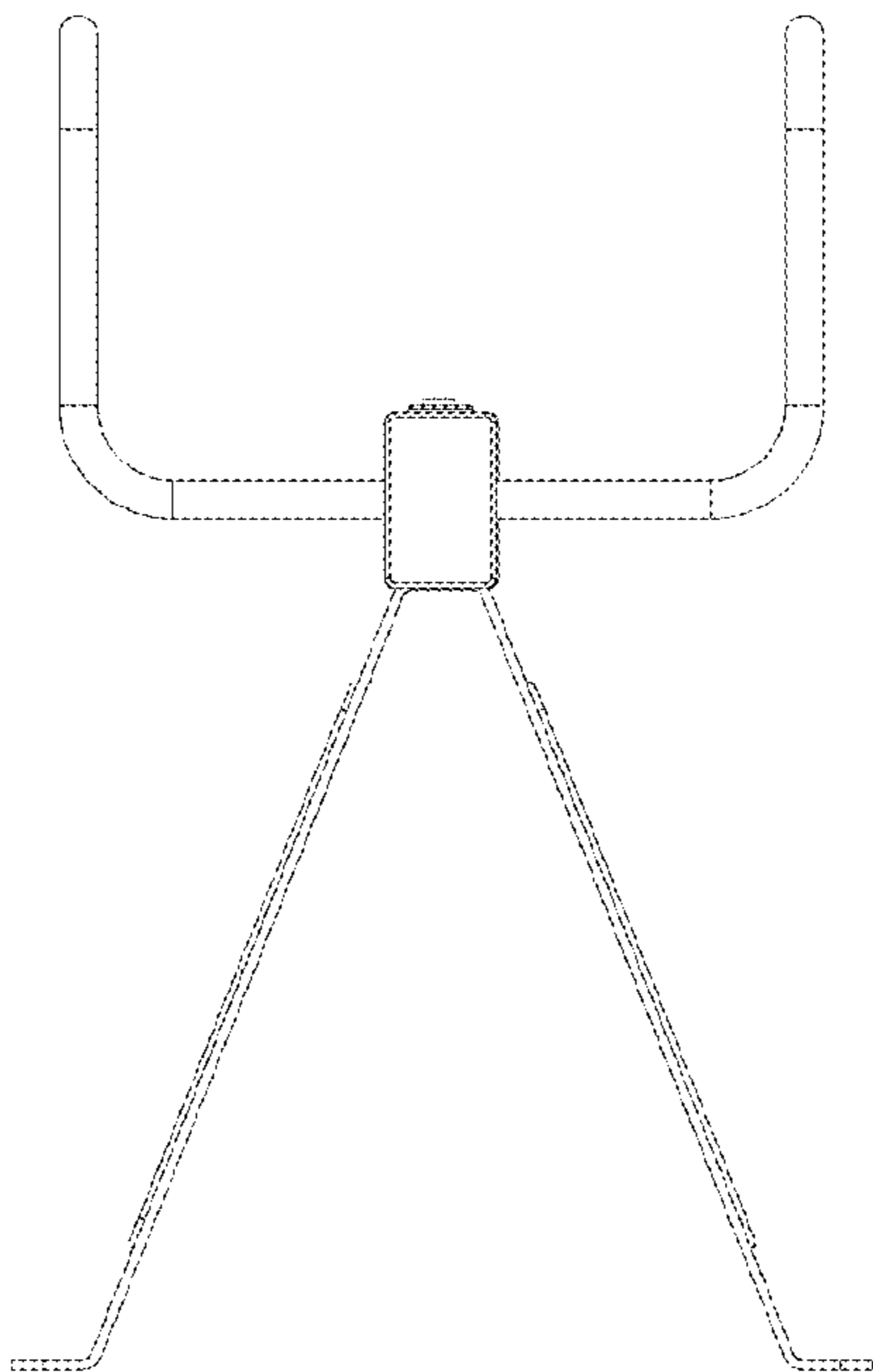


FIG. 4

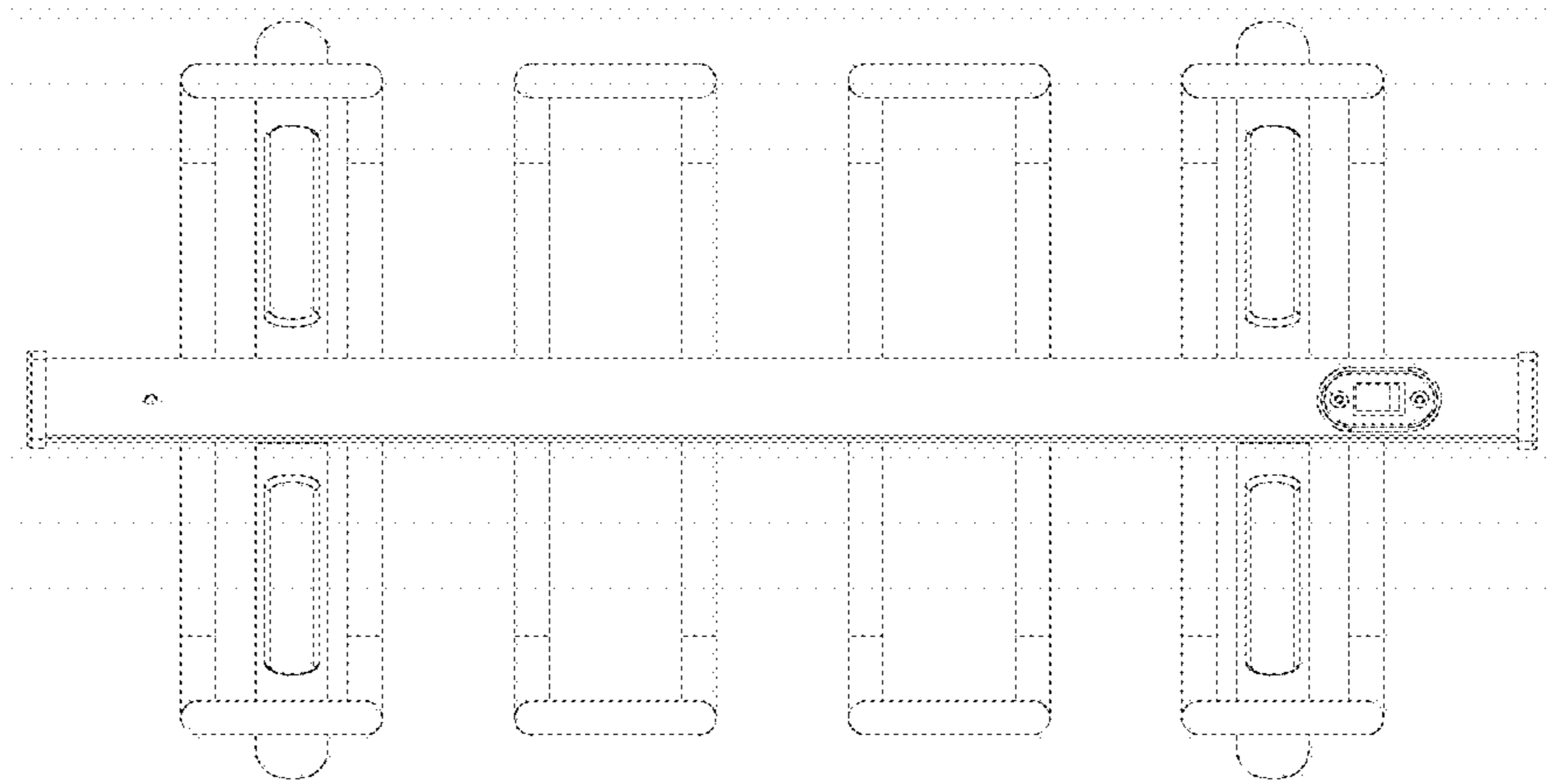


FIG. 5

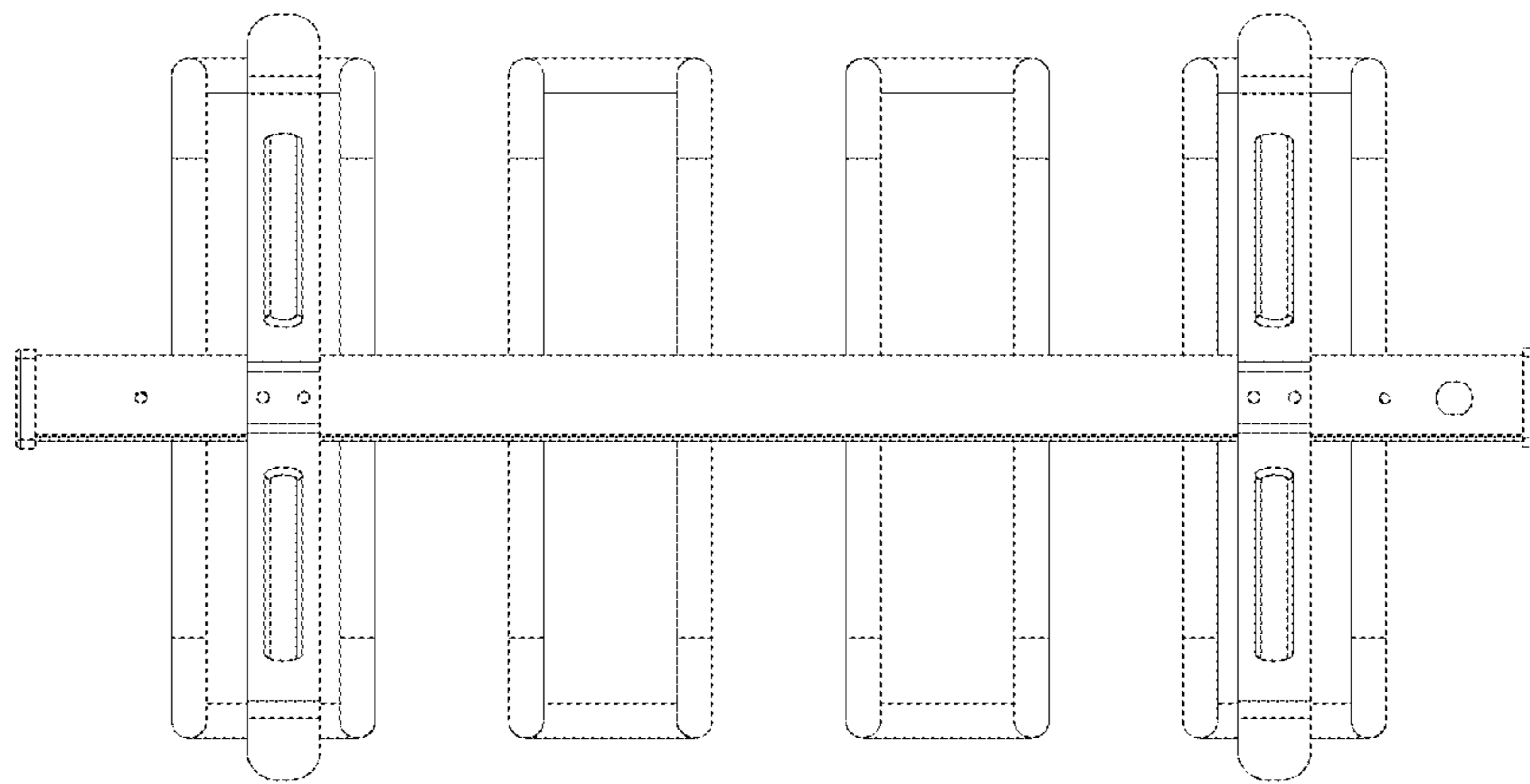


FIG. 6

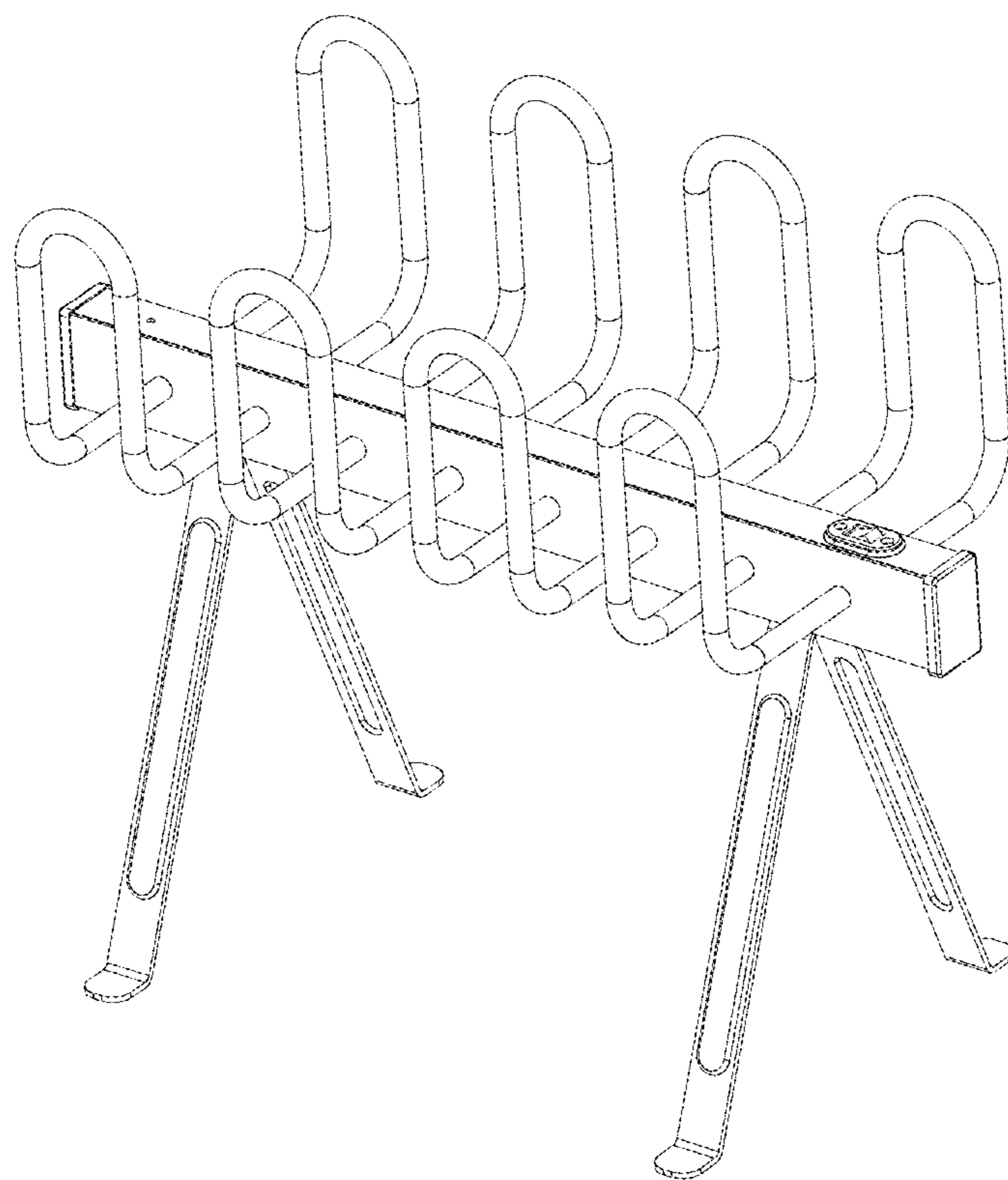


FIG. 7