



US00D739626S

(12) **United States Design Patent**
Condiff

(10) **Patent No.:** **US D739,626 S**

(45) **Date of Patent:** **** Sep. 22, 2015**

(54) **BUCKET HANDLE**

(56) **References Cited**

(71) Applicant: **Condiff Concept Company LLC**,
Kearney, MO (US)

U.S. PATENT DOCUMENTS

(72) Inventor: **Gregory Condiff**, Kearney, MO (US)

D545,519	S	*	6/2007	King	D32/53
D683,920	S	*	6/2013	Bonafide	D32/53
D683,921	S	*	6/2013	Bonafide	D32/53
D684,327	S	*	6/2013	Bonafide	D32/53
D709,263	S	*	7/2014	Carnesecca	D32/53
D726,385	S	*	4/2015	O'Leary et al.	D32/53

(73) Assignee: **Condiff Concept Company LLC**,
Kearney, MO (US)

* cited by examiner

(**) Term: **14 Years**

Primary Examiner — Robin V Webster

(21) Appl. No.: **29/494,120**

(74) *Attorney, Agent, or Firm* — Erickson Kernell
Derusseau & Kleypas, LLC

(22) Filed: **Jun. 17, 2014**

(57) **CLAIM**

The ornamental design for a bucket handle, as shown and described.

(51) **LOC (10) Cl.** **07-07**

DESCRIPTION

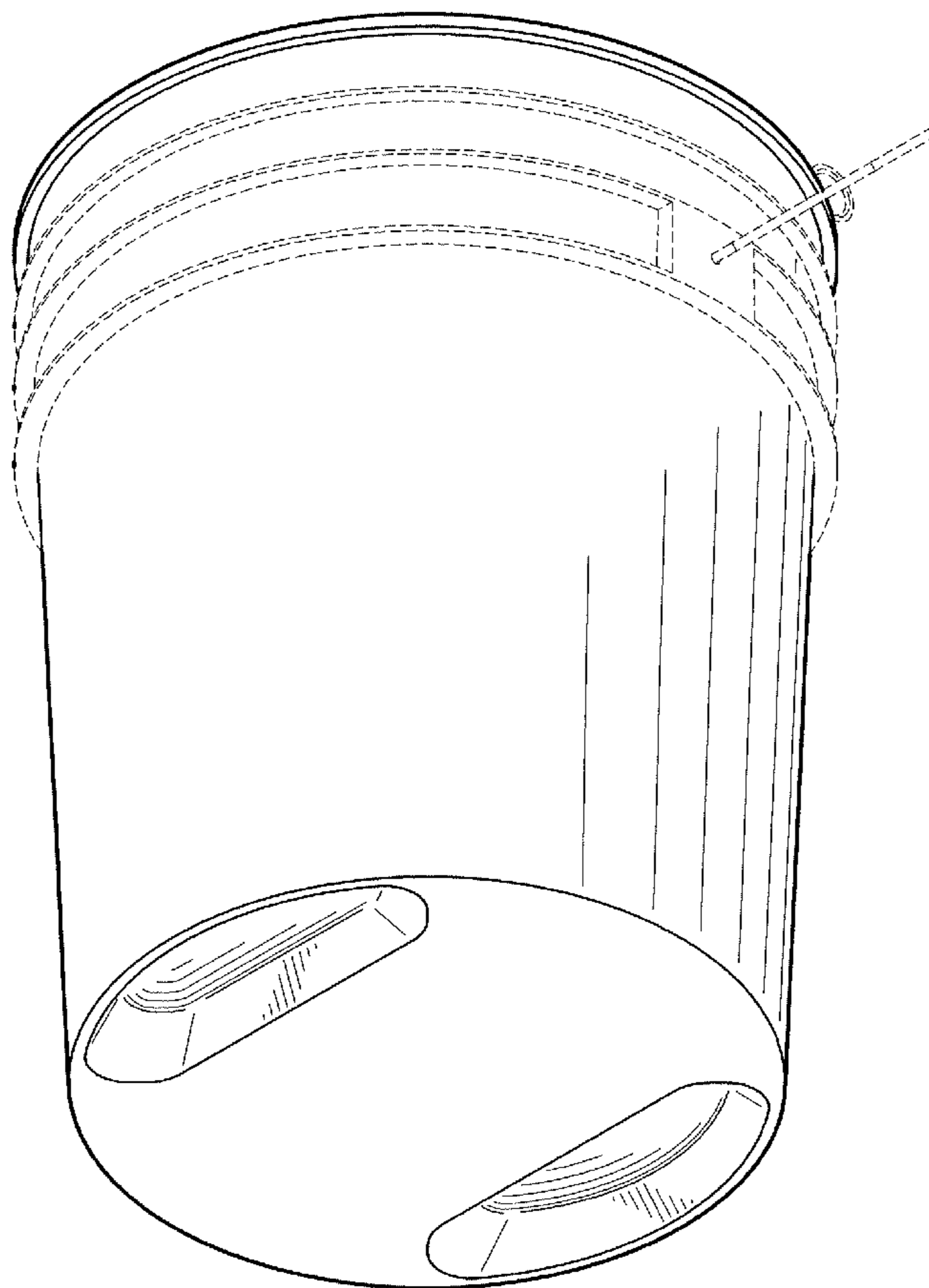
(52) **U.S. Cl.**
USPC **D32/53**

(58) **Field of Classification Search**
USPC D32/53, 53.1, 54; 15/260-264, 119.1,
15/120.1; D9/429; 220/904, 659, 770,
220/752, 753
CPC A47J 47/18; A47L 13/58; B65D 37/00

FIG. 1 a bottom perspective view of a bucket handle showing my new design;
FIG. 2 is a front view thereof;
FIG. 3 is a side view thereof;
FIG. 4 is a top view thereof; and,
FIG. 5 is a bottom view thereof.
The broken lines in FIGS. 1-5 are for illustrative purposes only and form no part of the design.

See application file for complete search history.

1 Claim, 3 Drawing Sheets



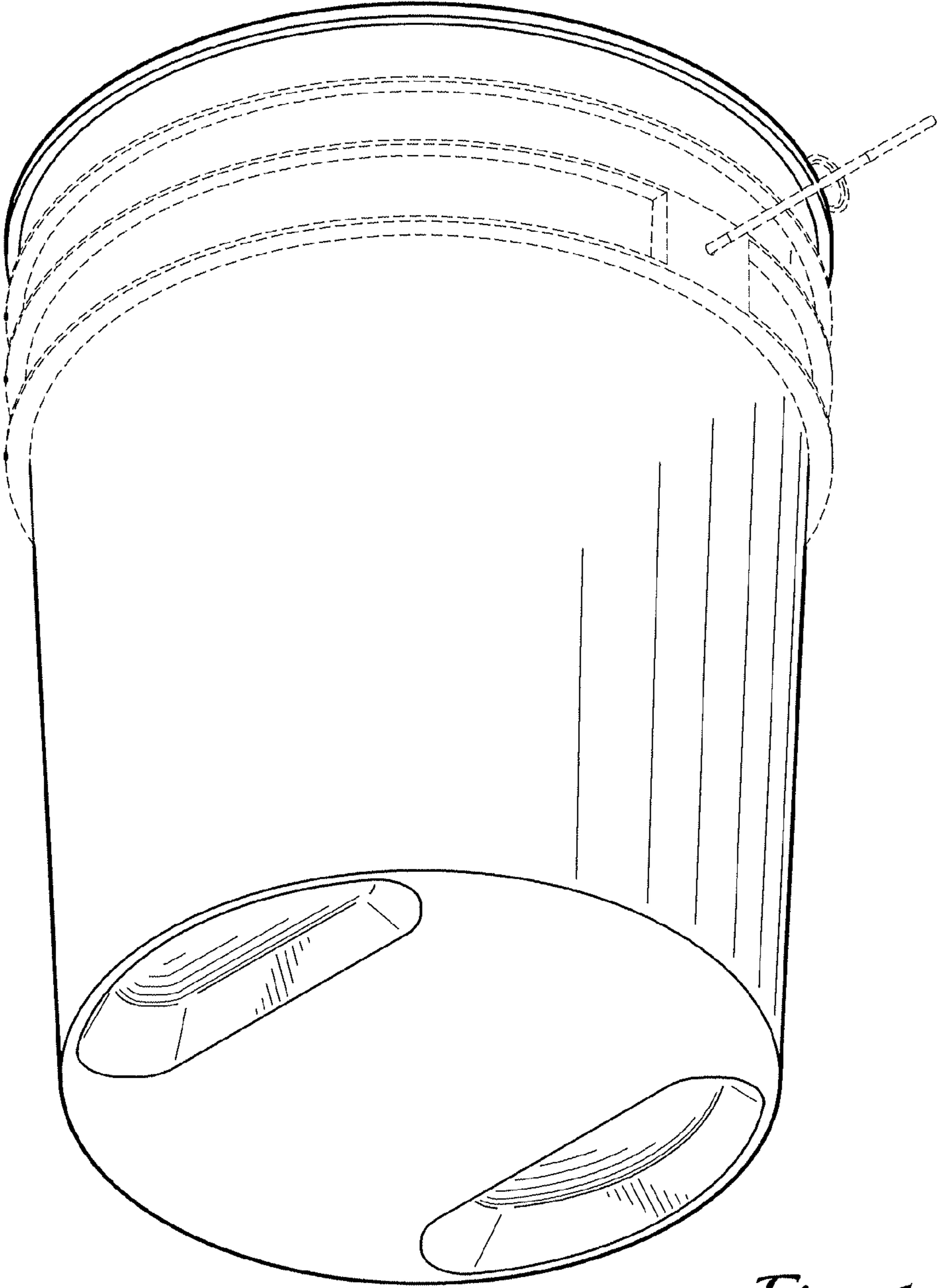


Fig. 1

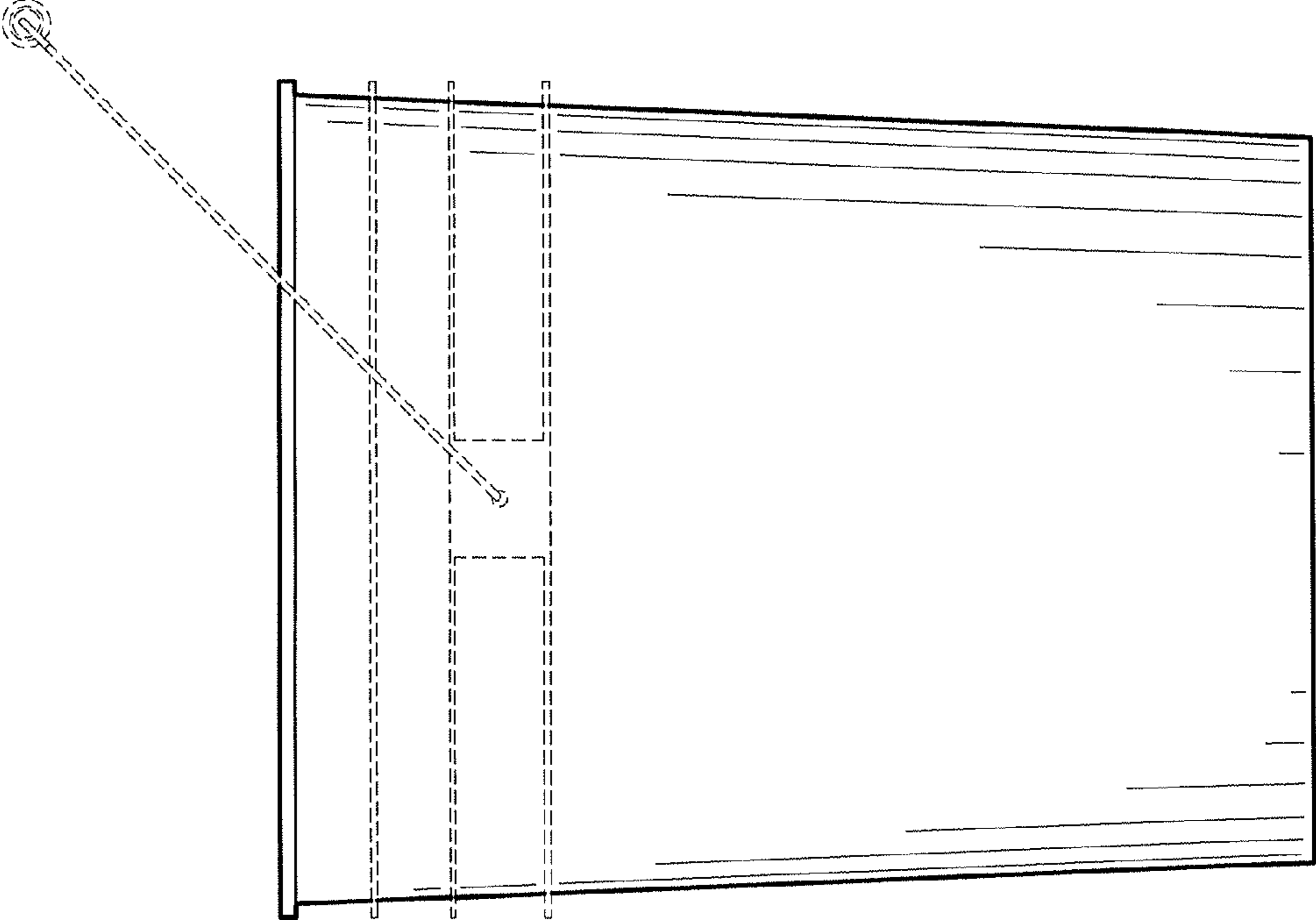


Fig. 3

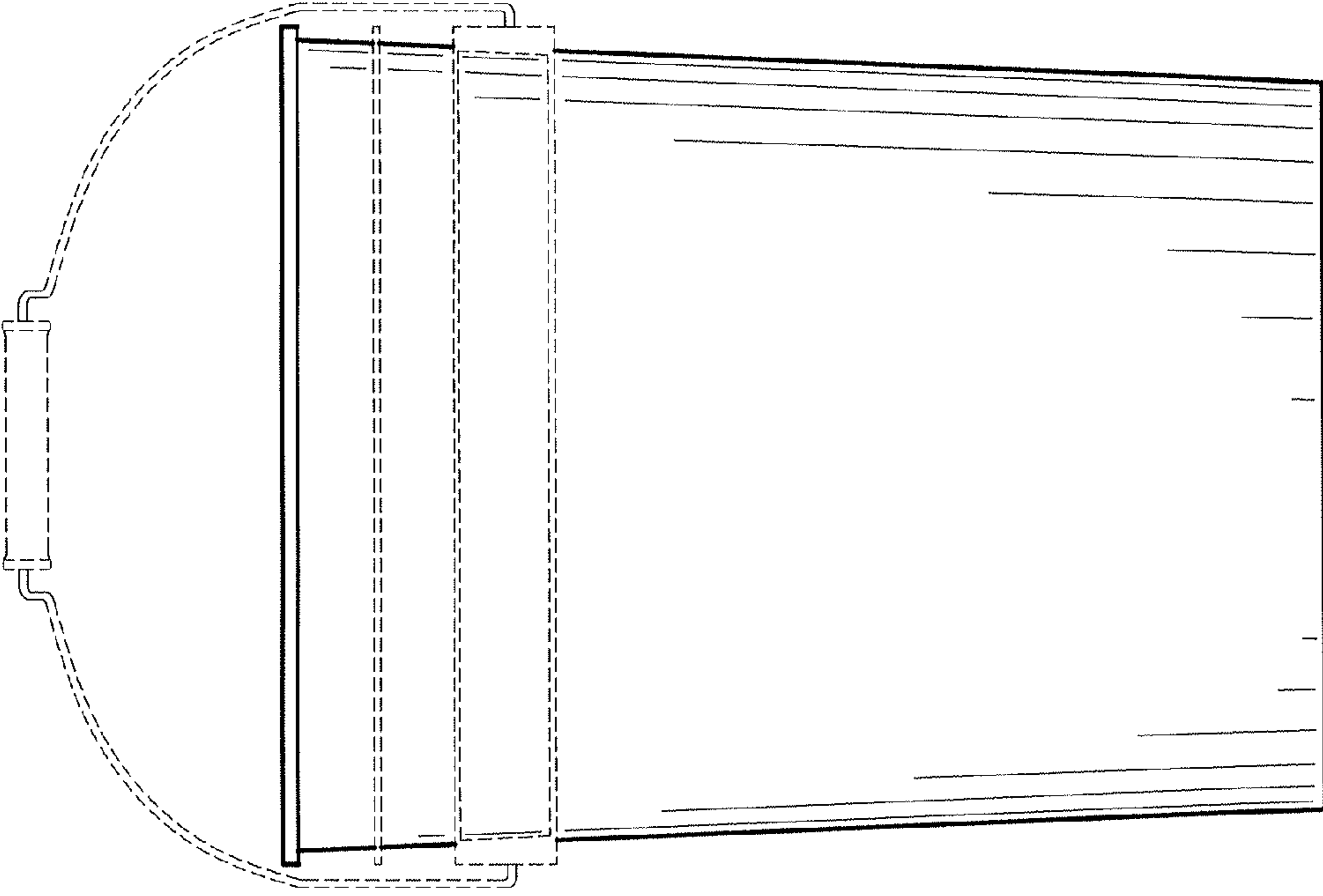


Fig. 2

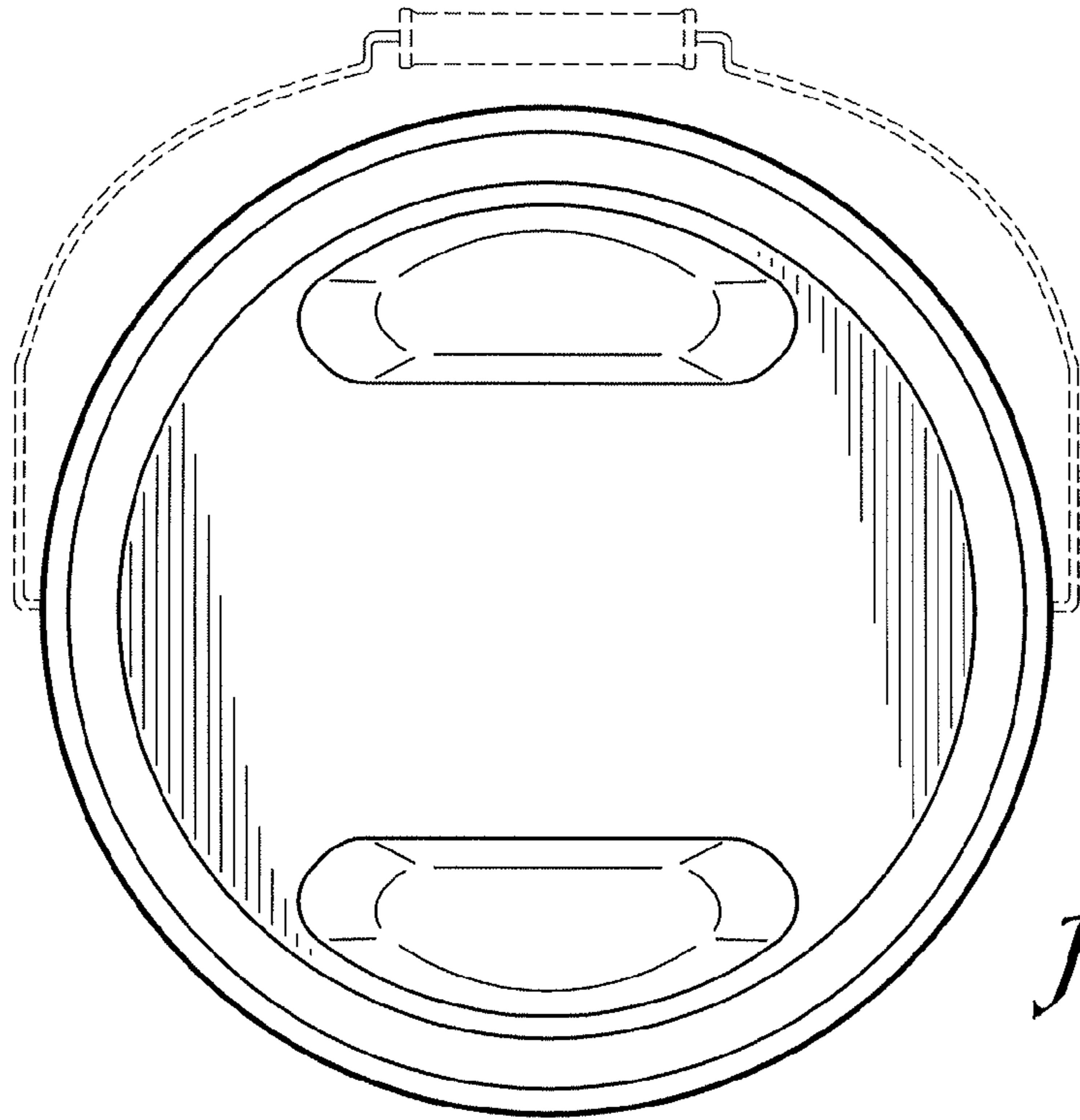


Fig. 4

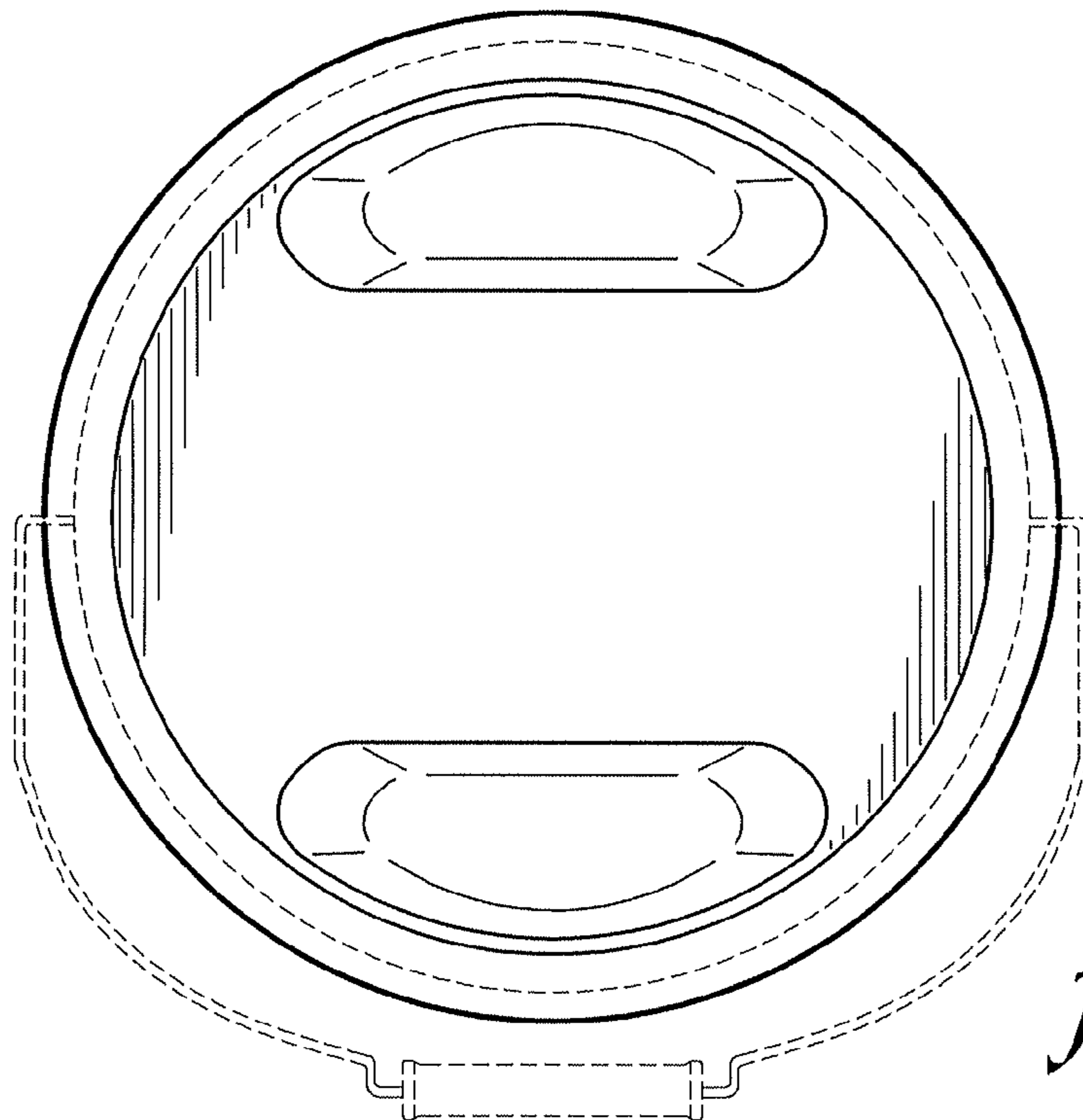


Fig. 5