



US00D739625S

(12) **United States Design Patent**
Saigol

(10) **Patent No.:** **US D739,625 S**

(45) **Date of Patent:** **** Sep. 22, 2015**

(54) **ROTATABLE, DUAL WIPING PAD SHOE SOLE WIPING SYSTEM**

(74) *Attorney, Agent, or Firm* — O’Connell Law Firm; Thomas P. O’Connell

(71) Applicant: **Shahid Saigol**, Tampa, FL (US)

(72) Inventor: **Shahid Saigol**, Tampa, FL (US)

(**) Term: **14 Years**

(57) **CLAIM**

I claim the ornamental design for a rotatable, dual wiping pad shoe sole wiping system, as shown and described.

(21) Appl. No.: **29/498,879**

(22) Filed: **Aug. 8, 2014**

DESCRIPTION

(51) **LOC (10) Cl.** **04-01**

(52) **U.S. Cl.**
USPC **D32/40**

(58) **Field of Classification Search**
USPC D32/40–50; 15/208, 209.1, 15/229.1–229.4, 227, 228, 210.1, 119.1, 15/220.2, 118, 244.1, 244.4, 104.92; D10/104.2; D24/192
CPC A47L 13/16; A47L 13/46; A47L 13/24; A47L 13/18; A47L 13/20; A47L 13/22
See application file for complete search history.

FIG. 1 is a perspective view of a rotatable, dual wiping pad shoe sole wiping system showing my design;
FIG. 2 is a top plan view of the rotatable, dual wiping pad shoe sole wiping system of FIG. 1;
FIG. 3 is a view in front elevation of the rotatable, dual wiping pad shoe sole wiping system of FIG. 1 in an open configuration;
FIG. 4 is a view in rear elevation of the rotatable, dual wiping pad shoe sole wiping system of FIG. 1 in an open configuration;
FIG. 5 is a top plan view of the rotatable, dual wiping pad shoe sole wiping system of FIG. 1 in an open configuration;
FIG. 6 is a bottom plan view of the rotatable, dual wiping pad shoe sole wiping system of FIG. 1 in an open configuration;
FIG. 7 is a view in left side elevation of the rotatable, dual wiping pad shoe sole wiping system of FIG. 1 in an open configuration;
FIG. 8 is a view in right side elevation of the rotatable, dual wiping pad shoe sole wiping system of FIG. 1 in an open configuration;
FIG. 9 is a perspective view of the rotatable, dual wiping pad shoe sole wiping system of FIG. 1 in use during the wiping of a shoe sole; and,
FIG. 10 is a top plan view of an alternative embodiment of the rotatable, dual wiping pad shoe sole wiping system according to my invention.

(56) **References Cited**

U.S. PATENT DOCUMENTS

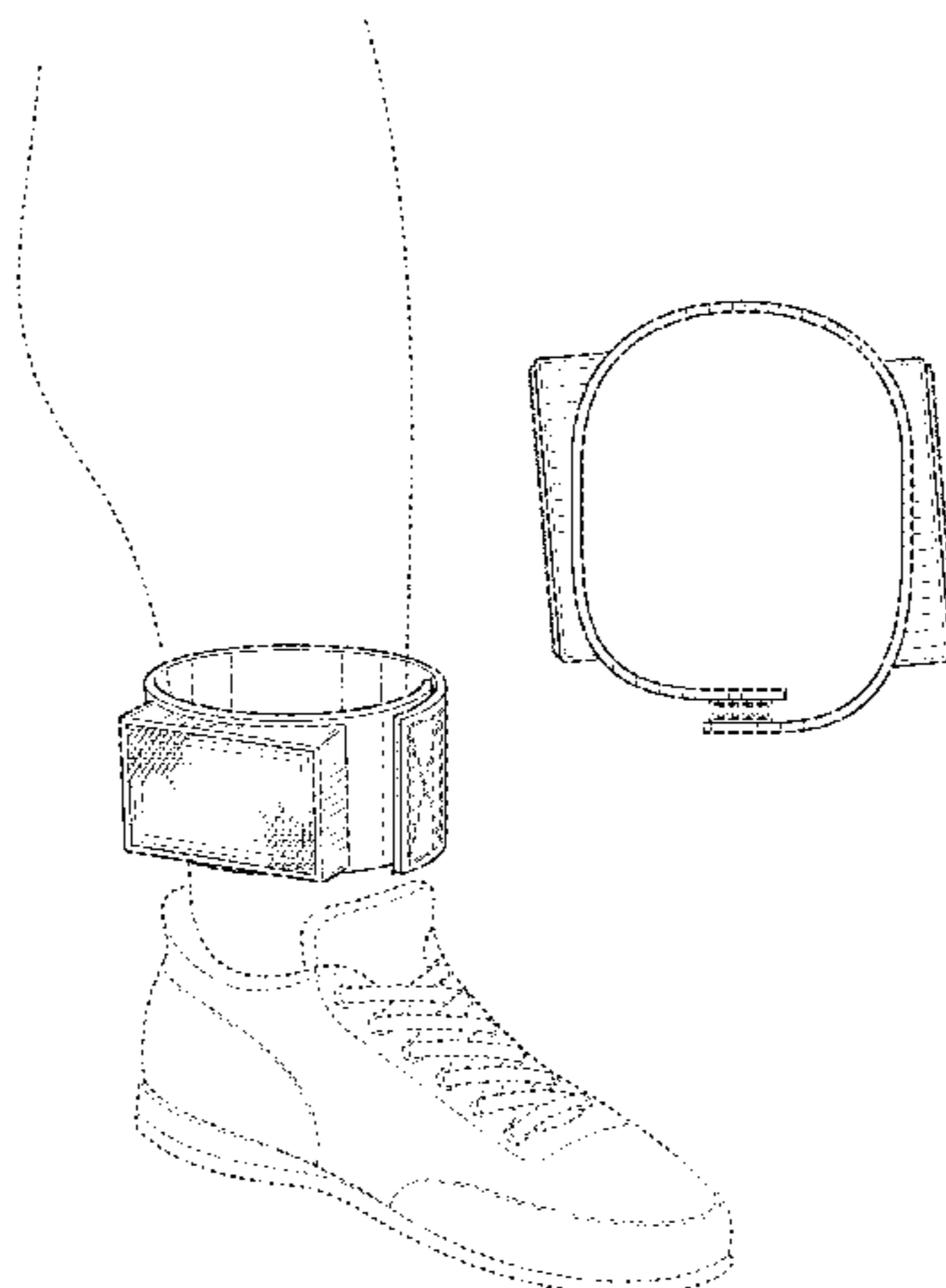
4,823,426	A	4/1989	Bragga	
5,421,106	A	6/1995	Emrick	
5,555,564	A	9/1996	Welch	
D390,487	S *	2/1998	Thun	D10/104.2
5,765,233	A *	6/1998	Hayes	2/227
5,893,190	A	4/1999	Mertz	
5,979,008	A	11/1999	Gordon	
6,003,190	A	12/1999	Knudsen	
D423,389	S *	4/2000	Boyd	D10/104.2
D424,463	S *	5/2000	Babers, Jr.	D10/104.2
D430,357	S *	8/2000	Nash et al.	D28/63
6,128,801	A	10/2000	Adzick et al.	
6,393,648	B1 *	5/2002	Reynolds	15/160
D571,249	S *	6/2008	Frederick et al.	D11/4
D673,744	S *	1/2013	Vela et al.	D32/40
8,966,701	B2 *	3/2015	Dellecave et al.	15/210.1
2009/0119857	A1	5/2009	Yurman et al.	

(Continued)

The portions of the rotatable, dual wiping pad shoe sole wiping system shown in broken lines are for illustrative purposes only and form no part of the claimed design.

Primary Examiner — Robin V Webster

1 Claim, 6 Drawing Sheets



(56)

References Cited

U.S. PATENT DOCUMENTS

2009/0293215 A1 12/2009 Zhou
2012/0011749 A1 1/2012 French et al.

2013/0091614 A1 4/2013 Teets et al.
2013/0333137 A1 12/2013 Dellecave et al.
2014/0047652 A1 2/2014 McLaughlin et al.

* cited by examiner

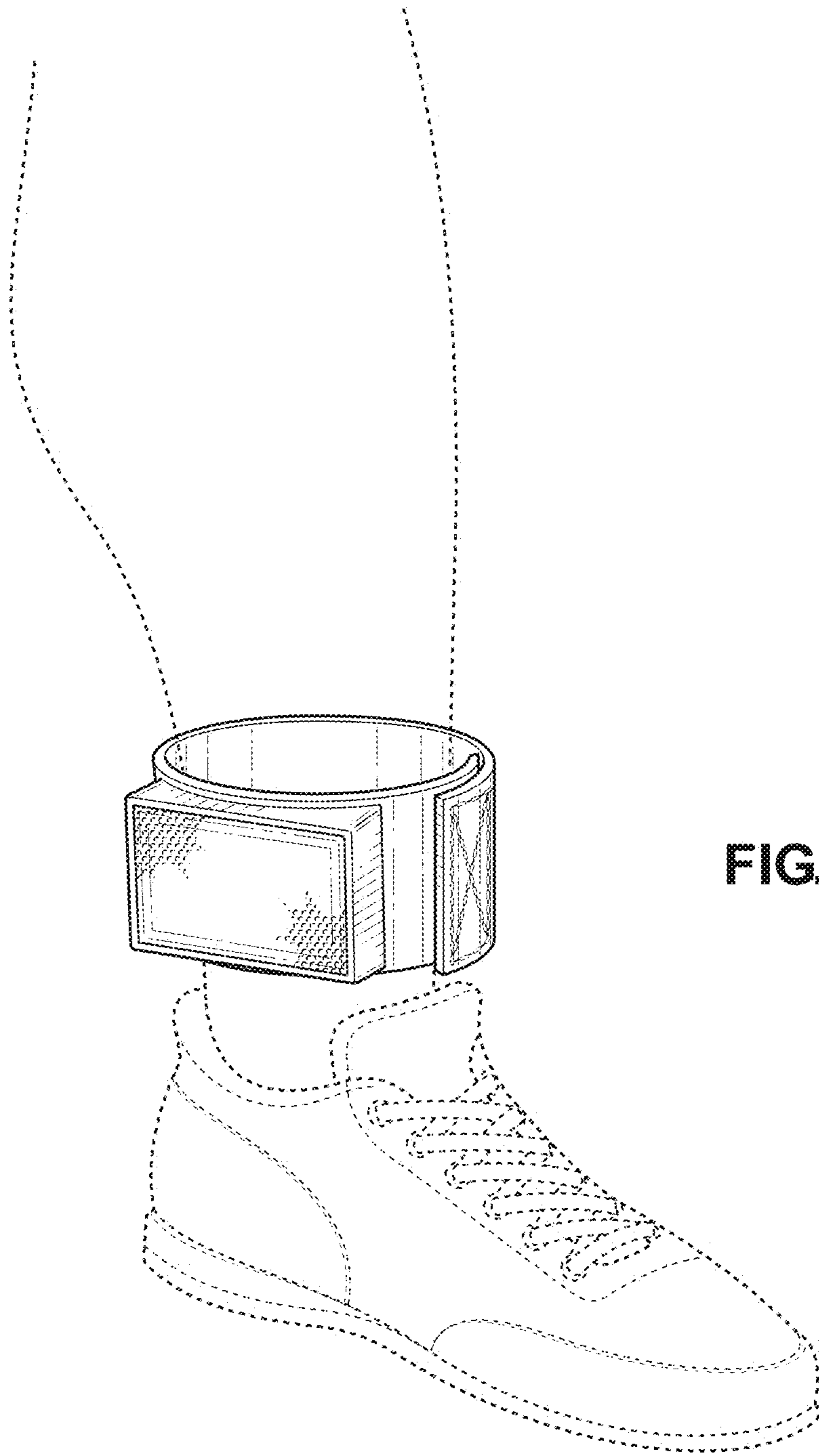


FIG. 1

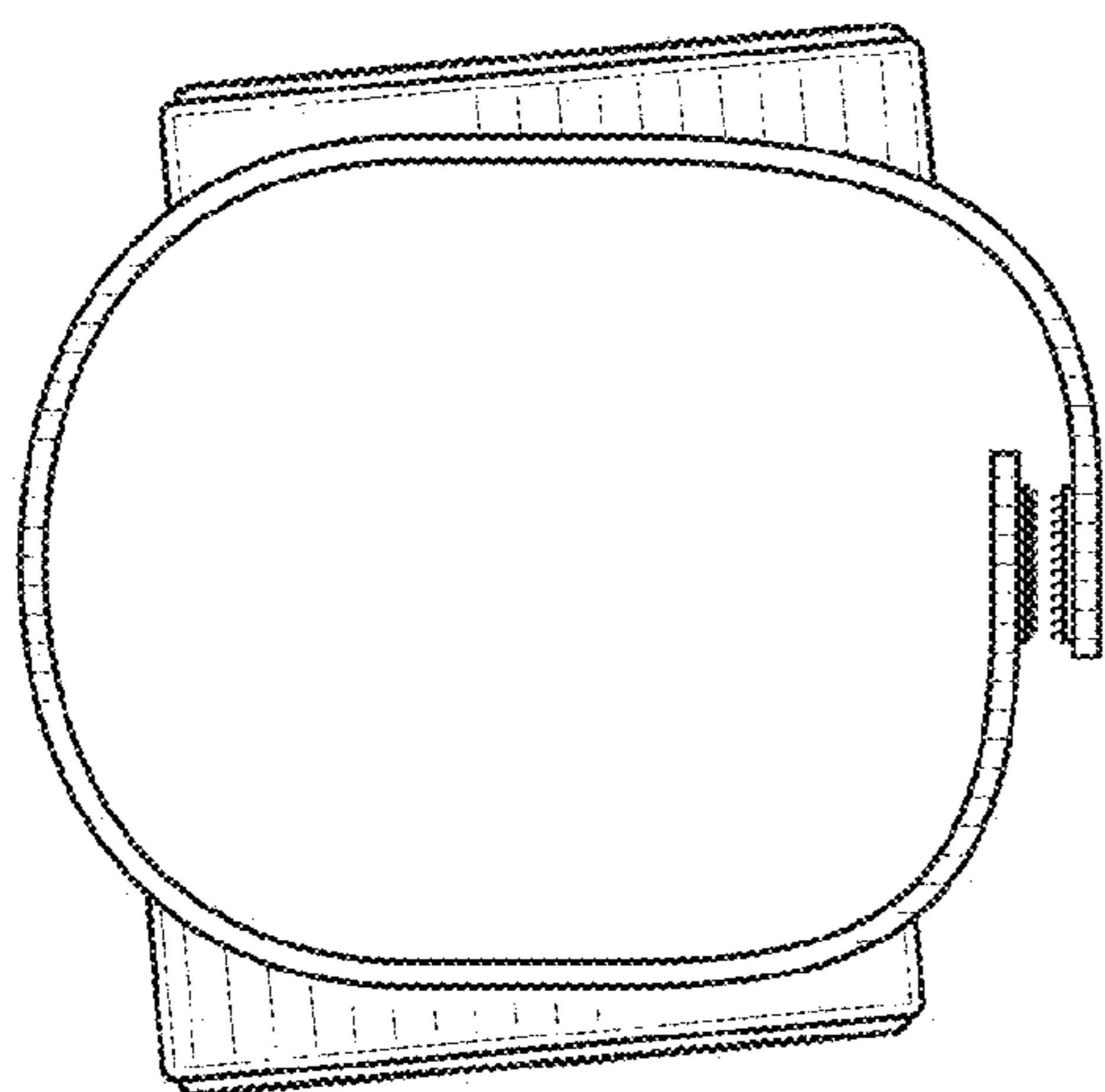


FIG. 2

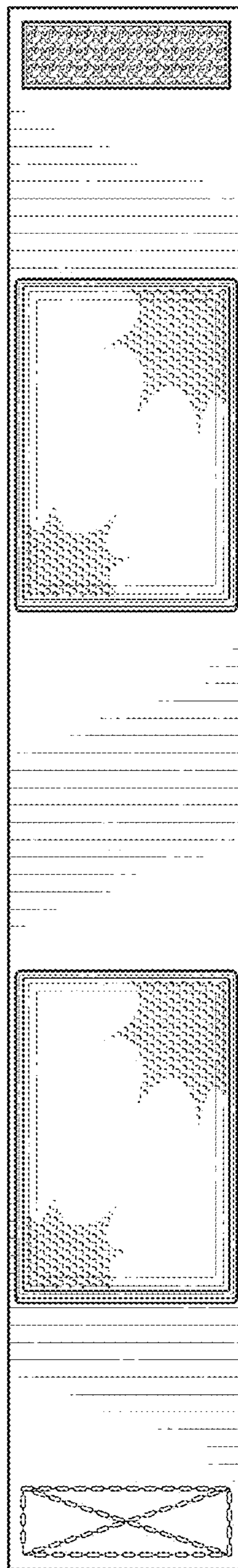


FIG. 3

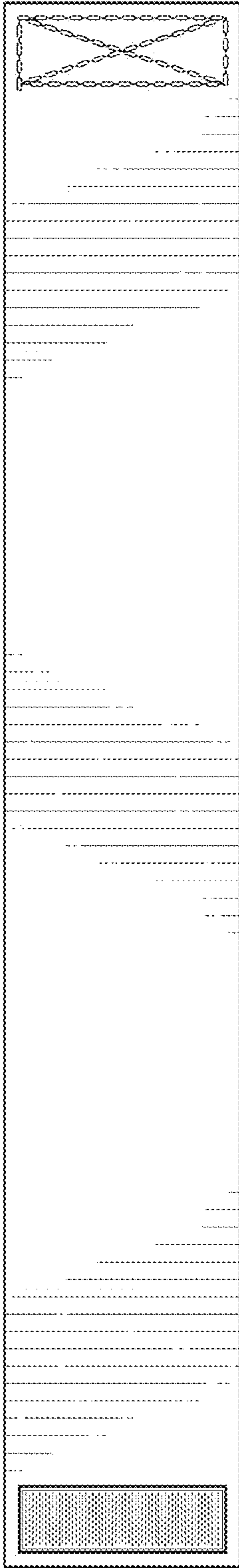


FIG. 4

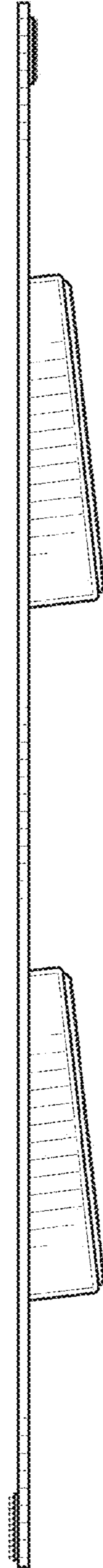


FIG. 5

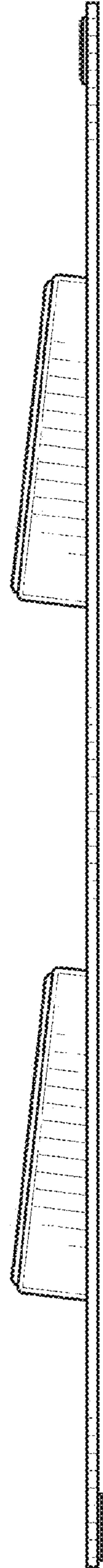


FIG. 6

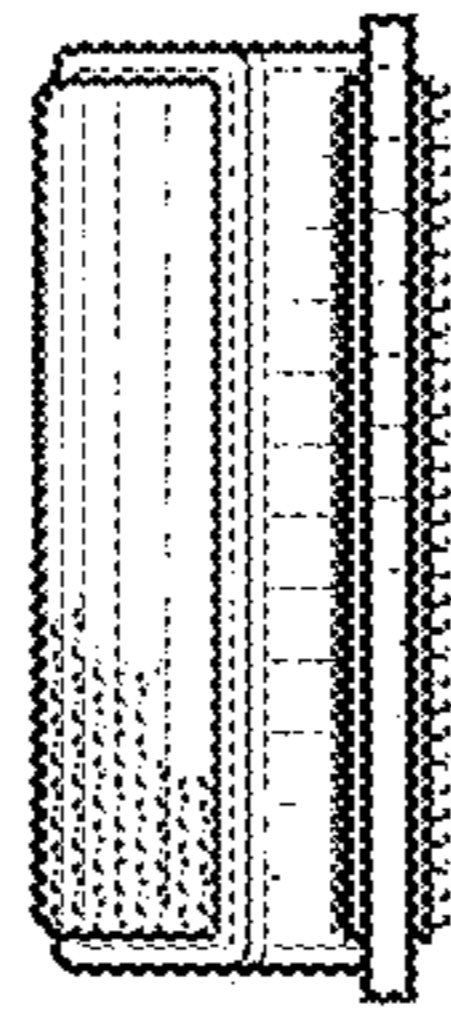


FIG. 7

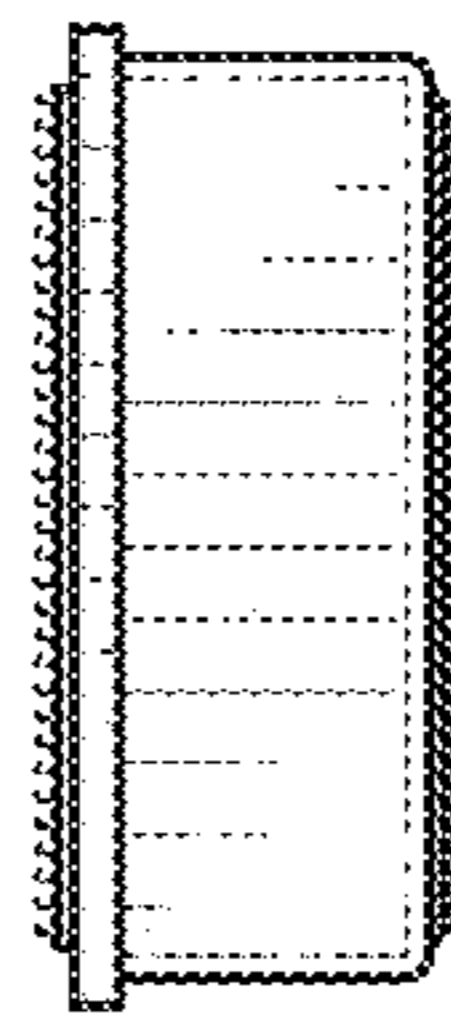


FIG. 8

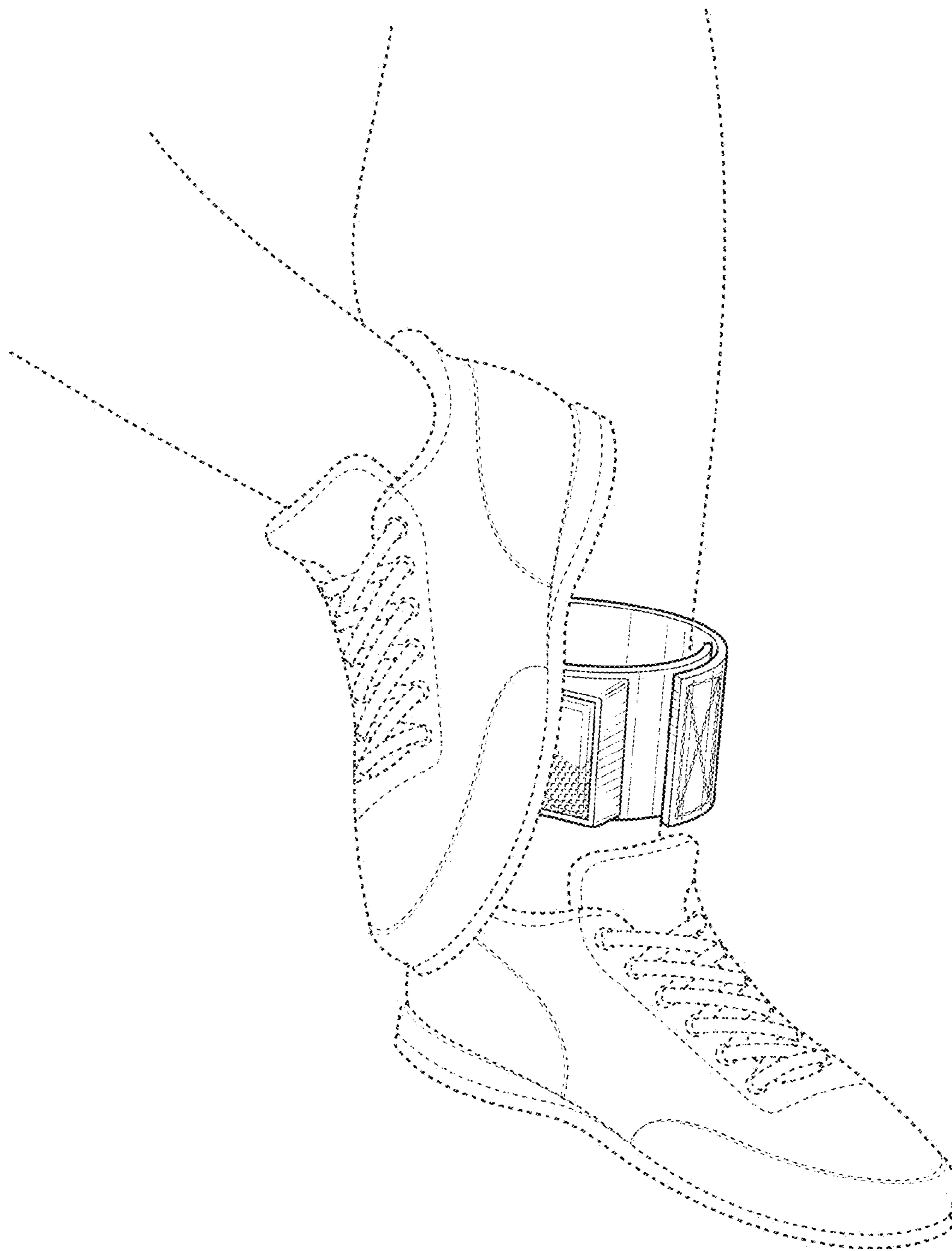


FIG. 9

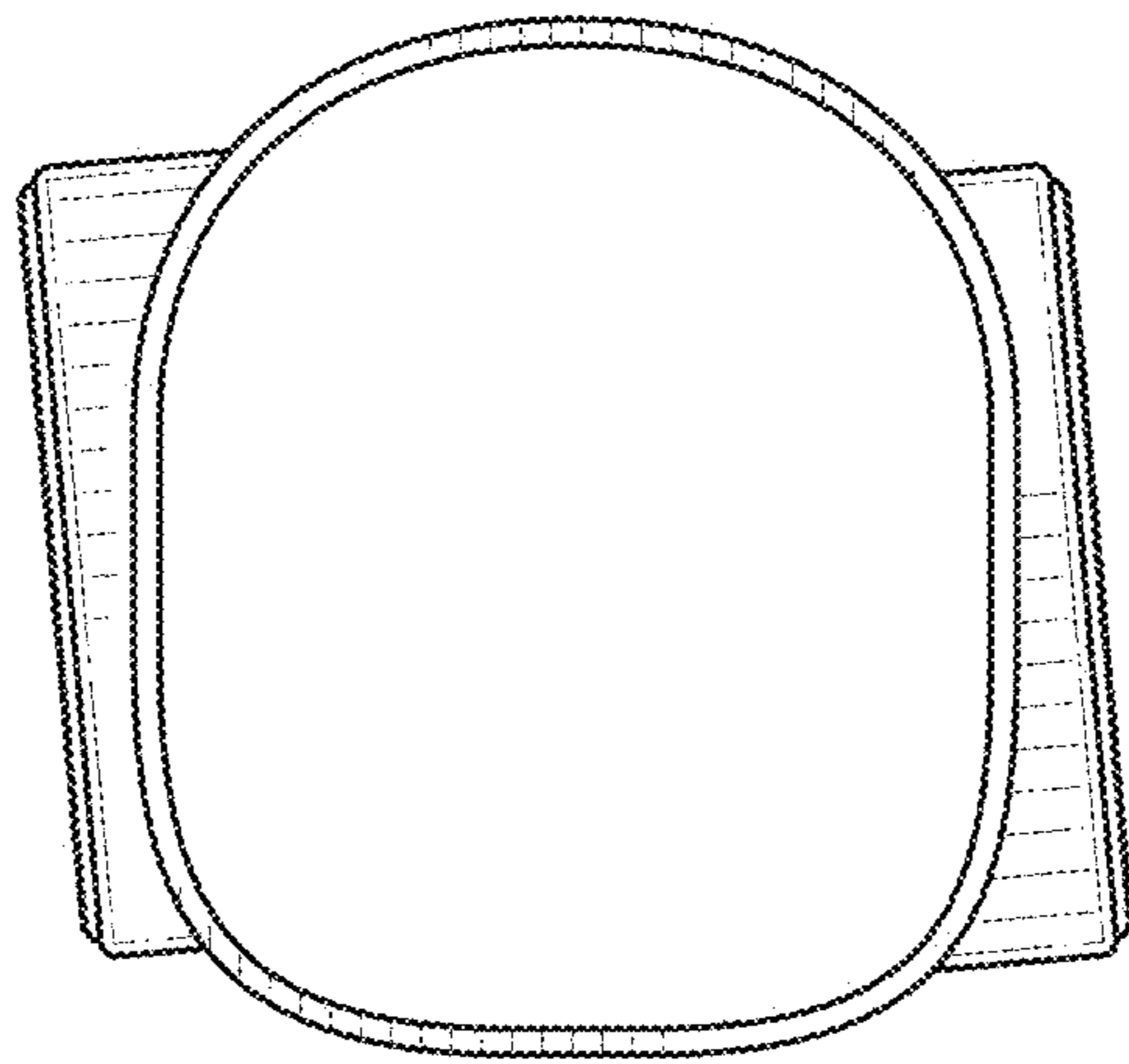


FIG. 10