



US00D739624S

(12) **United States Design Patent**
Rebar

(10) **Patent No.:** **US D739,624 S**

(45) **Date of Patent:** **** Sep. 22, 2015**

(54) **BREECH PLUG CLEANING TOOL**

(71) Applicant: **Peter D. Rebar**, Strongsville, OH (US)

(72) Inventor: **Peter D. Rebar**, Strongsville, OH (US)

(**) Term: **14 Years**

(21) Appl. No.: **29/478,484**

(22) Filed: **Jan. 6, 2014**

(51) **LOC (10) Cl.** **08-99**

(52) **U.S. Cl.**
USPC **D32/35**

(58) **Field of Classification Search**
USPC D32/25, 35, 53.1, 58; D8/70, 82, 354;
D15/132, 139

CPC F41A 3/02; F41A 3/28; F41A 3/58;
F41A 3/66; F41A 9/40; F41A 9/42

See application file for complete search history.

(56) **References Cited**

U.S. PATENT DOCUMENTS

126,366	A *	4/1872	Wills	411/395
1,467,874	A *	9/1923	Muchow	15/311
3,286,293	A	11/1966	Eckert	
3,755,948	A *	9/1973	Heinicke	42/17
4,320,544	A	3/1982	Bryant et al.	
4,353,670	A	10/1982	Jorgensen	
4,509,223	A	4/1985	Sipple et al.	
4,547,924	A	10/1985	Brygider	
4,807,511	A	2/1989	Markle	
5,066,174	A	11/1991	Smith	
5,075,998	A	12/1991	Selleck	
5,125,316	A	6/1992	Markle	
5,357,705	A *	10/1994	Stengel	42/95
5,782,031	A	7/1998	Bourgeois	
5,934,000	A	8/1999	Hayes	
6,004,326	A	12/1999	Castro et al.	
6,343,430	B1 *	2/2002	Martel	42/83
6,378,236	B1 *	4/2002	Solberg et al.	42/95
6,922,933	B1	8/2005	Davis	
7,147,409	B2	12/2006	Wienhold	
D594,305	S *	6/2009	Gyder	D8/70

7,686,359	B1	3/2010	Walker	
D623,369	S *	9/2010	Sugita et al.	D32/35
8,142,115	B2	3/2012	Reinhardt et al.	
D672,518	S *	12/2012	Facteau et al.	D32/35

(Continued)

OTHER PUBLICATIONS

Thompson Center Breech and Fire Channel Brush Set, 5 sheets of photos, purchased from Gander Mountain retail store prior to Oct. 18, 2011.

Primary Examiner — George D Kirschbaum

Assistant Examiner — Natasha Vujcic

(74) *Attorney, Agent, or Firm* — Wegman, Hessler & Vanderburg

(57) **CLAIM**

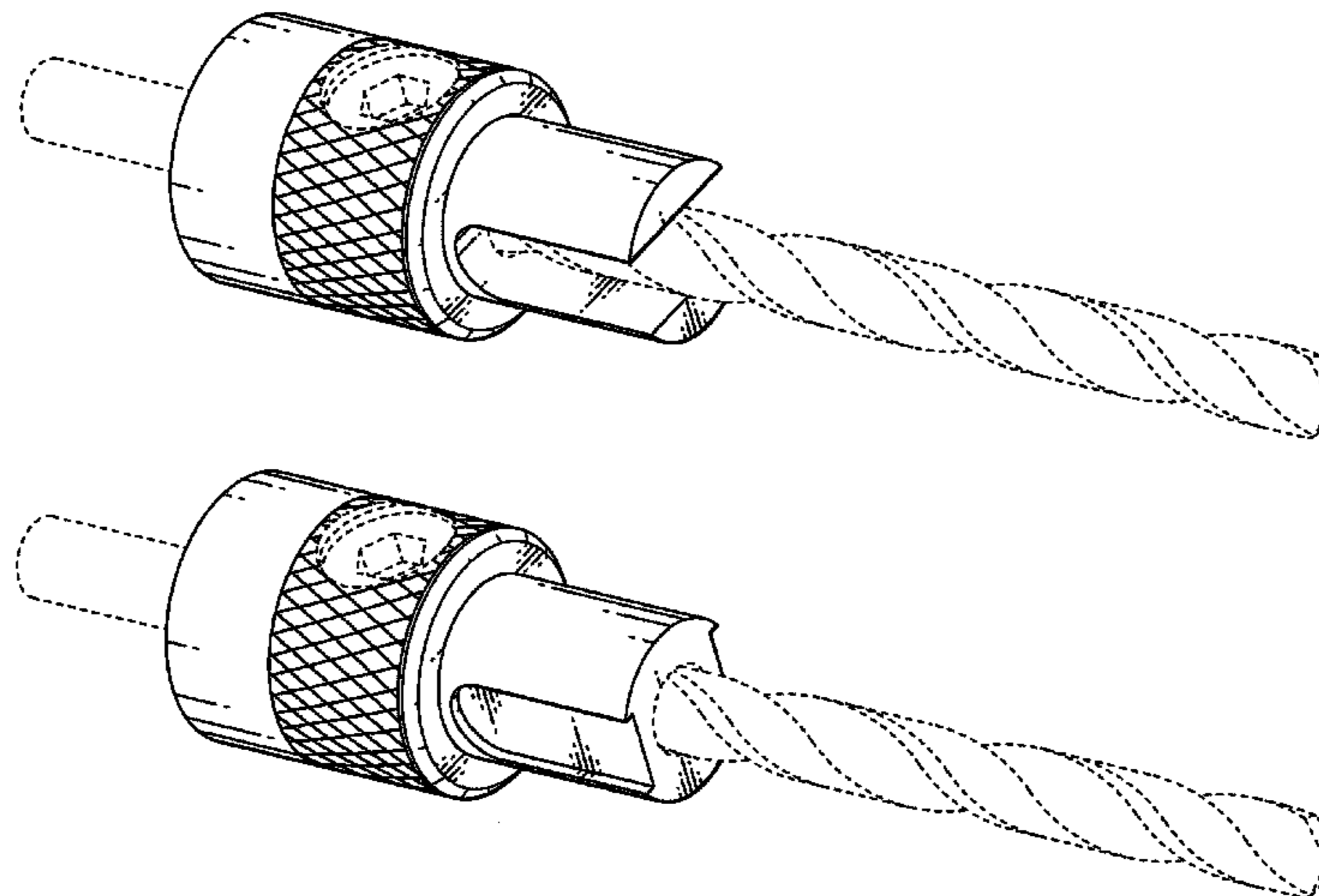
The ornamental design for a breech plug cleaning tool, as shown and described.

DESCRIPTION

FIG. 1 is a top perspective view of a first embodiment of a breech plug cleaning tool of the present invention; FIG. 2 is first side view thereof, wherein the opposing side view is a mirror image thereof; FIG. 3 is a top view thereof; FIG. 4 is a bottom view thereof; FIG. 5 is a rear view thereof; and FIG. 6 is a front view thereof; FIG. 7 is a top perspective view of a second embodiment of a breech plug cleaning tool of the present invention; FIG. 8 is first side view thereof, wherein the opposing side view is a mirror image thereof; FIG. 9 is a top view thereof; FIG. 10 is a bottom view thereof; FIG. 11 is a rear view thereof; and, FIG. 12 is a front view thereof.

The broken lines in the drawings illustrate portions of the breech plug cleaning tool which form no part of the claimed design.

1 Claim, 4 Drawing Sheets



(56)

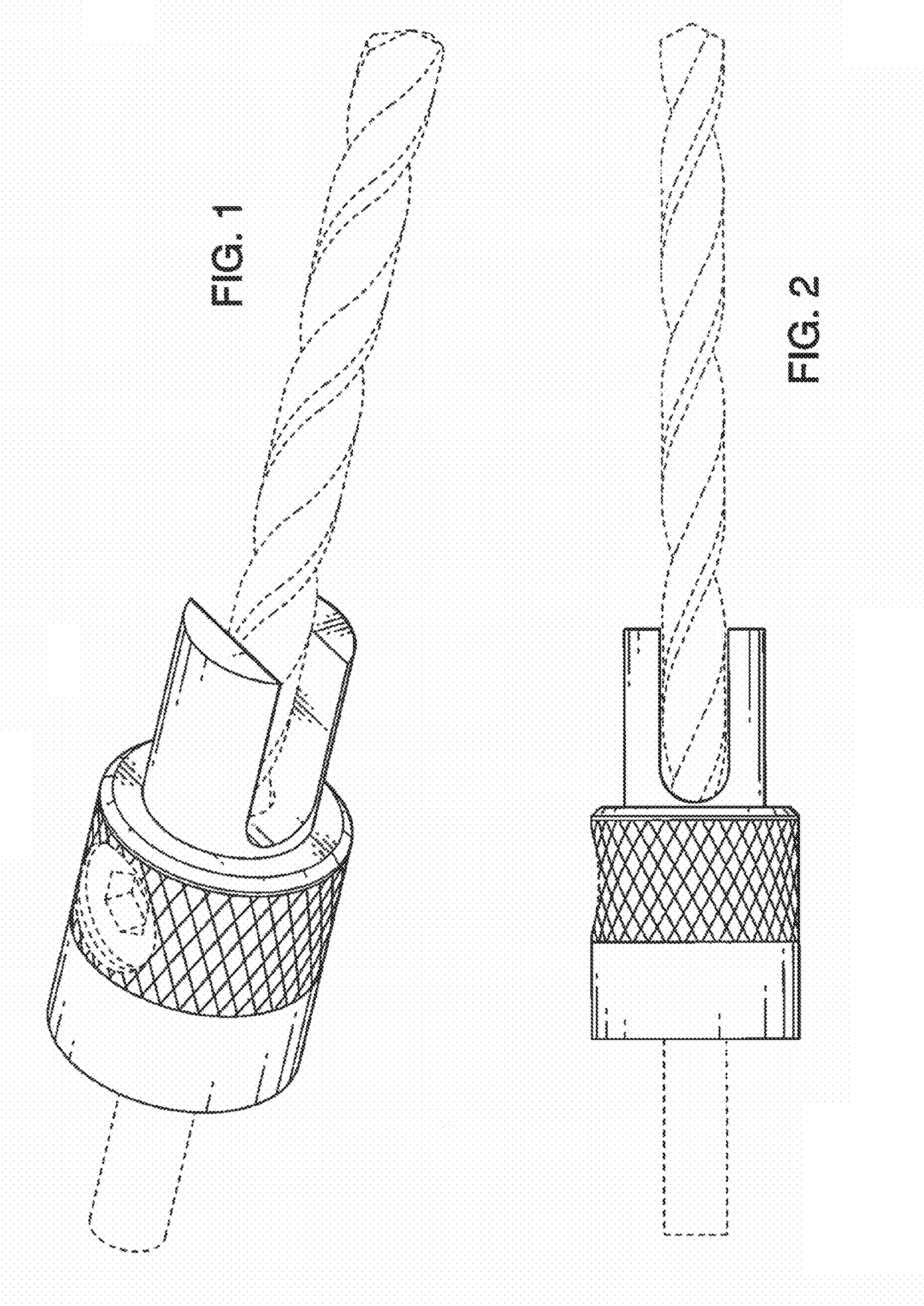
References Cited

U.S. PATENT DOCUMENTS

D679,413 S * 4/2013 Bucher et al. D24/224
D727,985 S * 4/2015 Leugers D15/139
D728,161 S * 4/2015 Salo D28/59
D728,177 S * 4/2015 Ishibashi et al. D32/25
2002/0041798 A1 4/2002 Karlsson
2002/0153377 A1* 10/2002 Prestele 220/288

2005/0186043 A1 8/2005 Fuller
2006/0120814 A1 6/2006 Lipohar et al.
2008/0286061 A1 11/2008 Lefebvre
2009/0265973 A1* 10/2009 Calvete Zumalde 42/51
2010/0172706 A1 7/2010 Wirth et al.
2010/0325933 A1 12/2010 Huang
2014/0000145 A1* 1/2014 Merritt et al. 42/114
2015/0013202 A1* 1/2015 Hendricks et al. 42/51

* cited by examiner



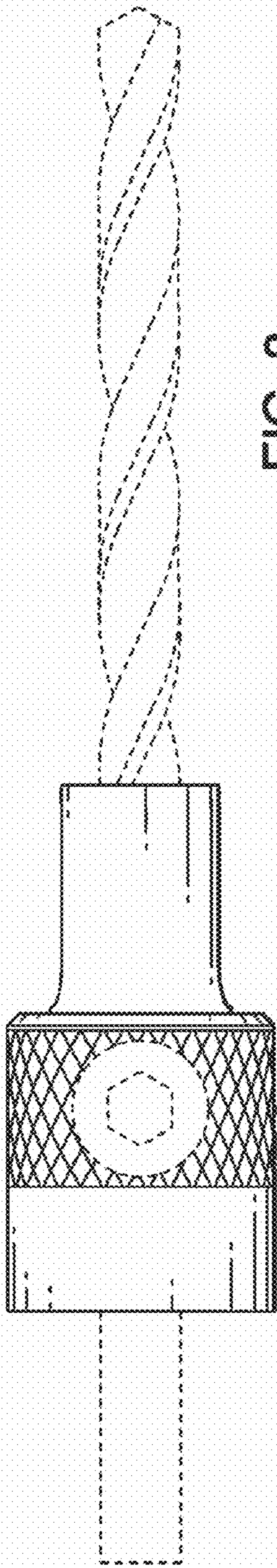


FIG. 3

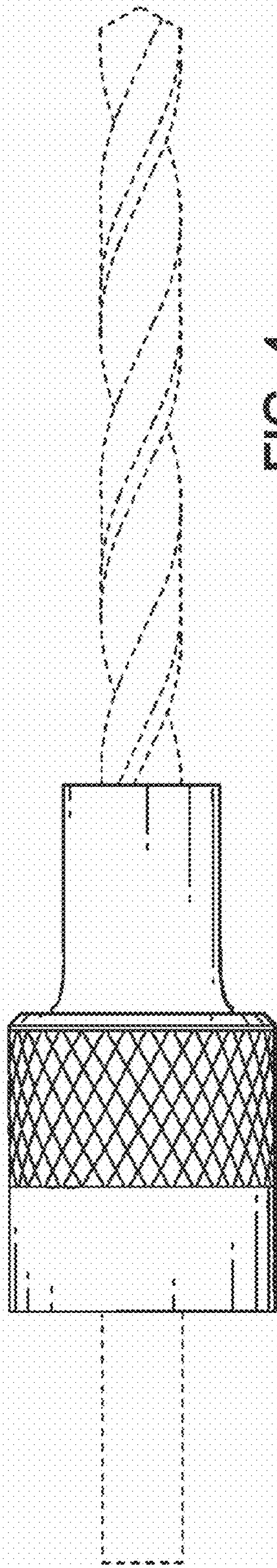


FIG. 4

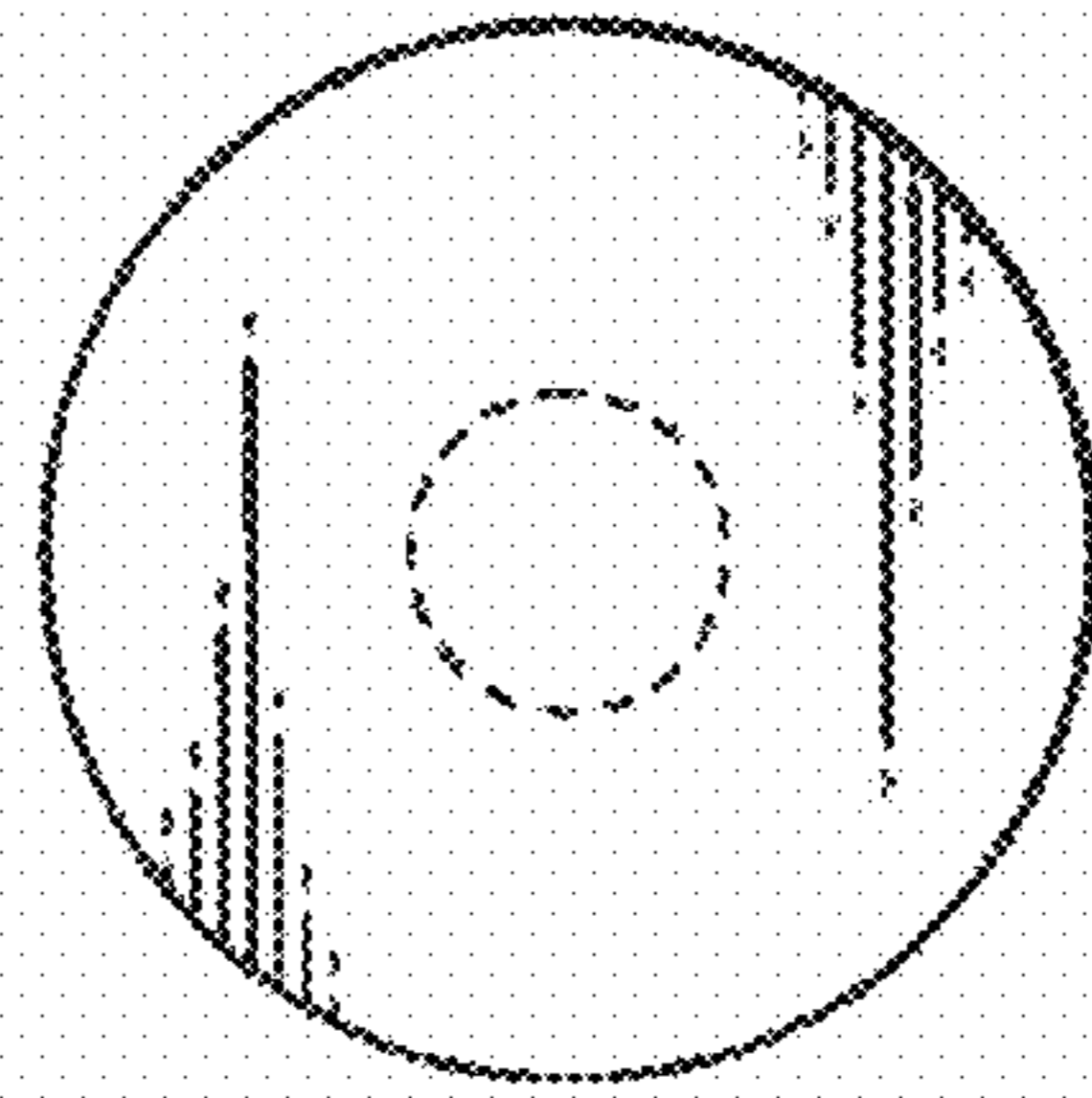


FIG. 5

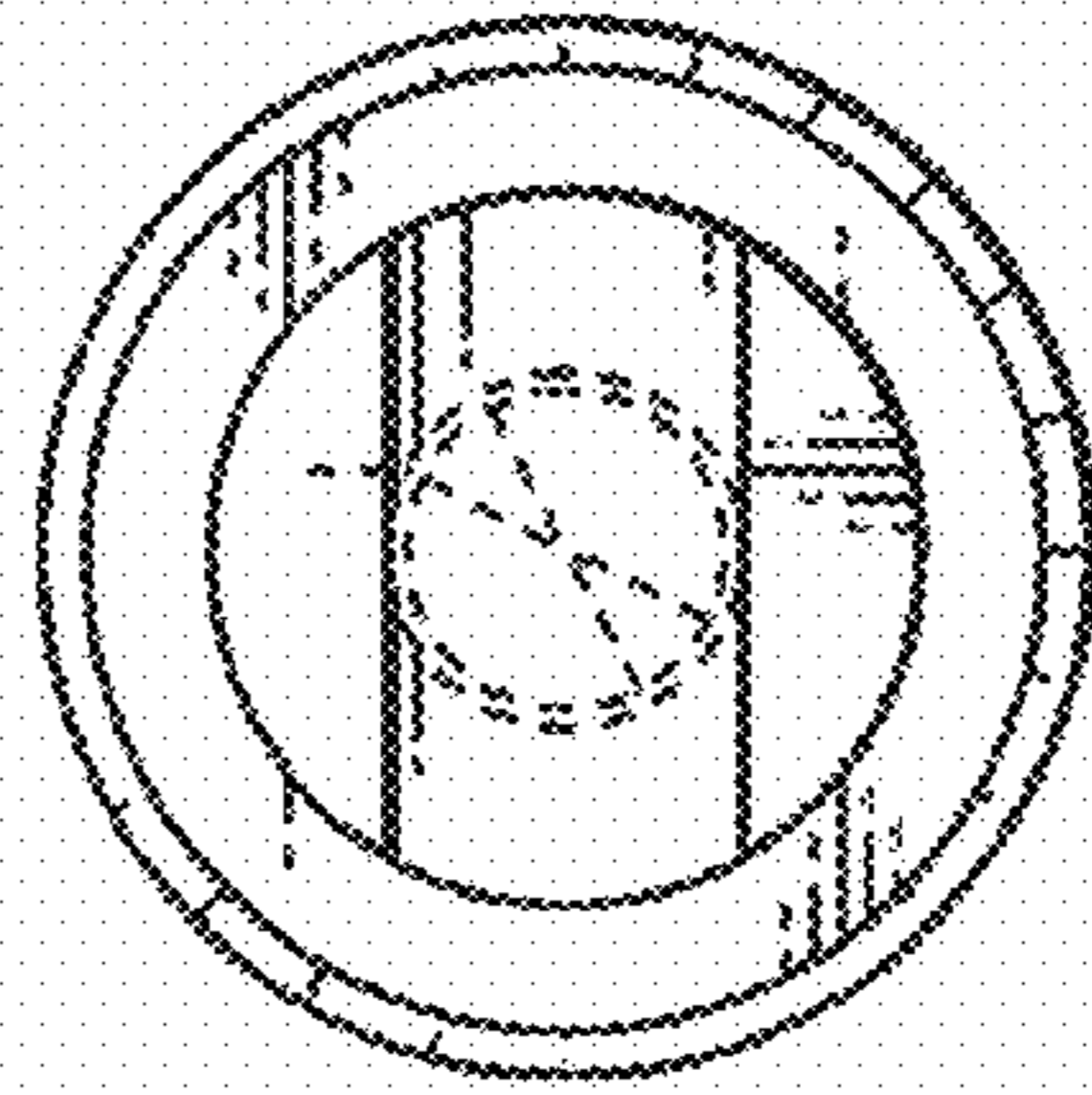
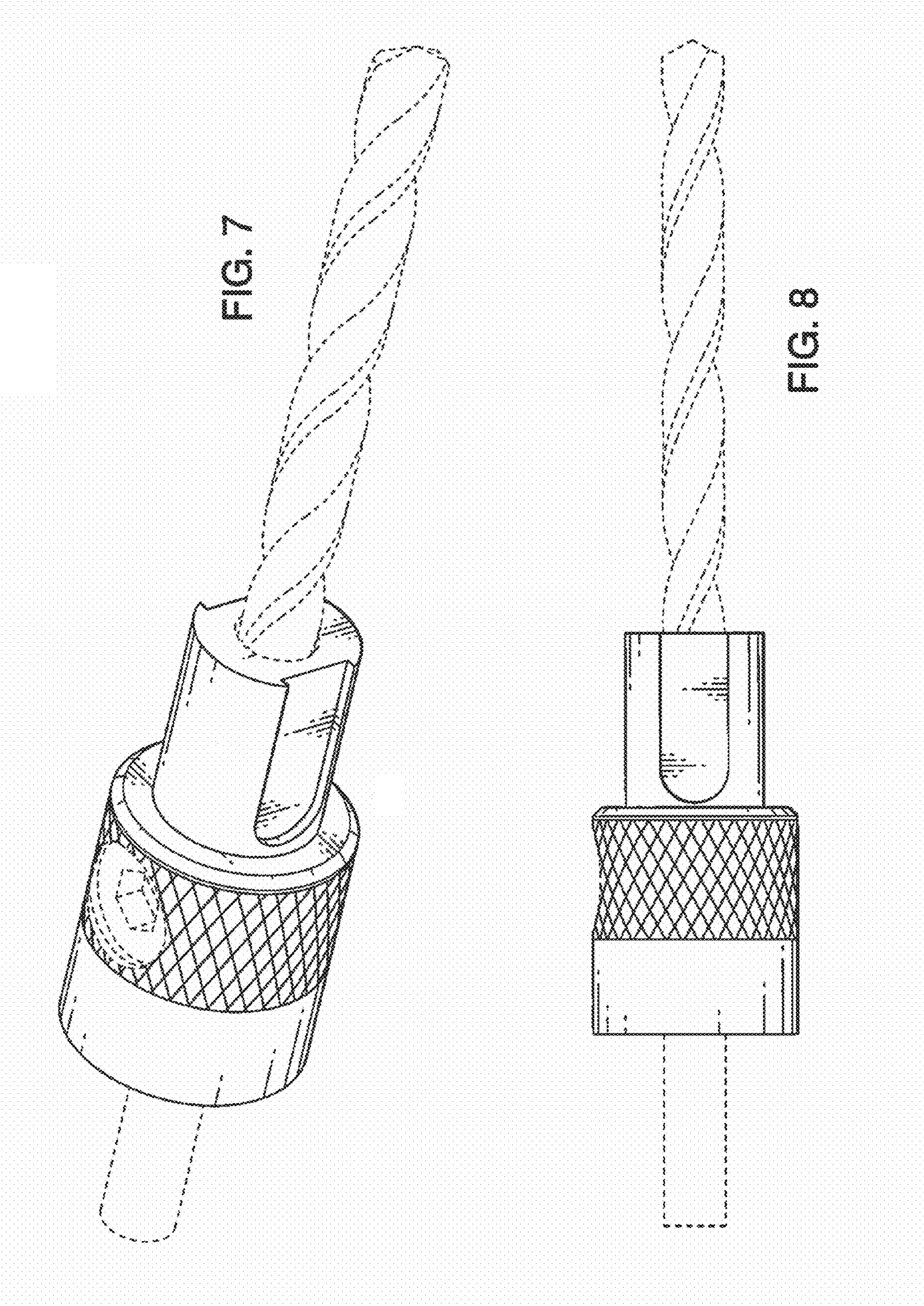


FIG. 6



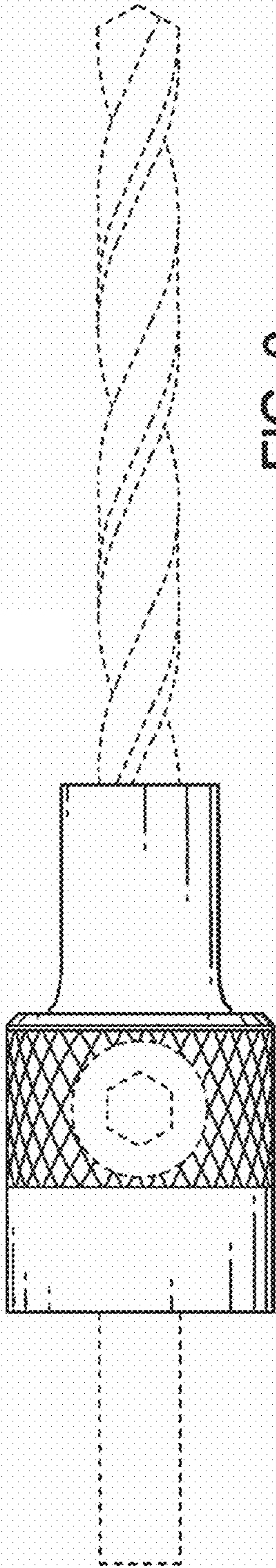


FIG. 9

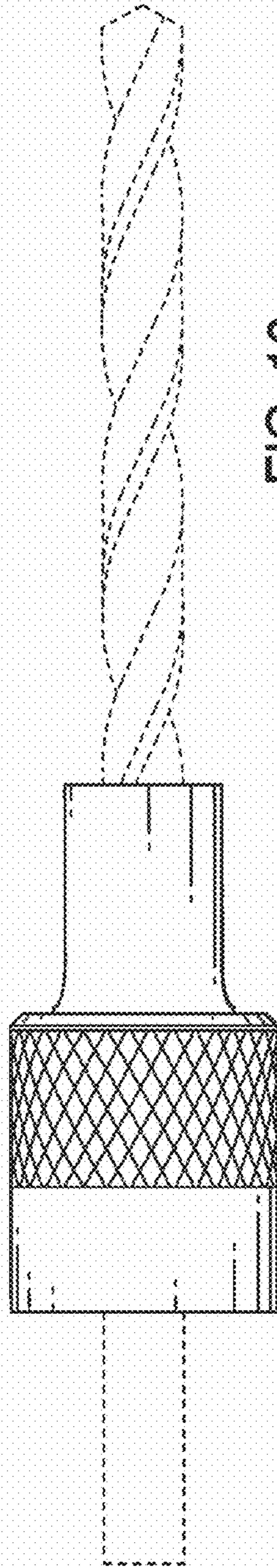


FIG. 10

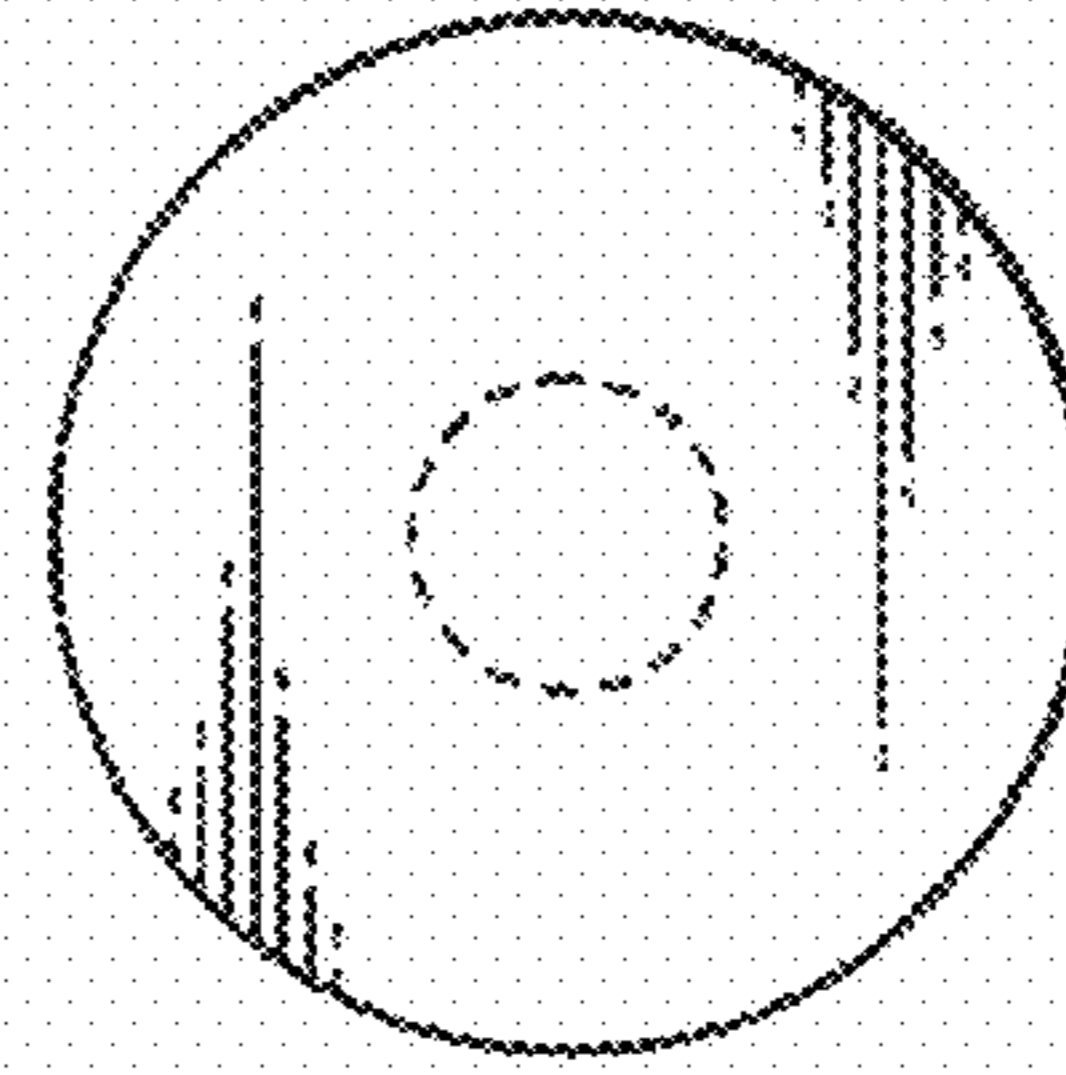


FIG. 11

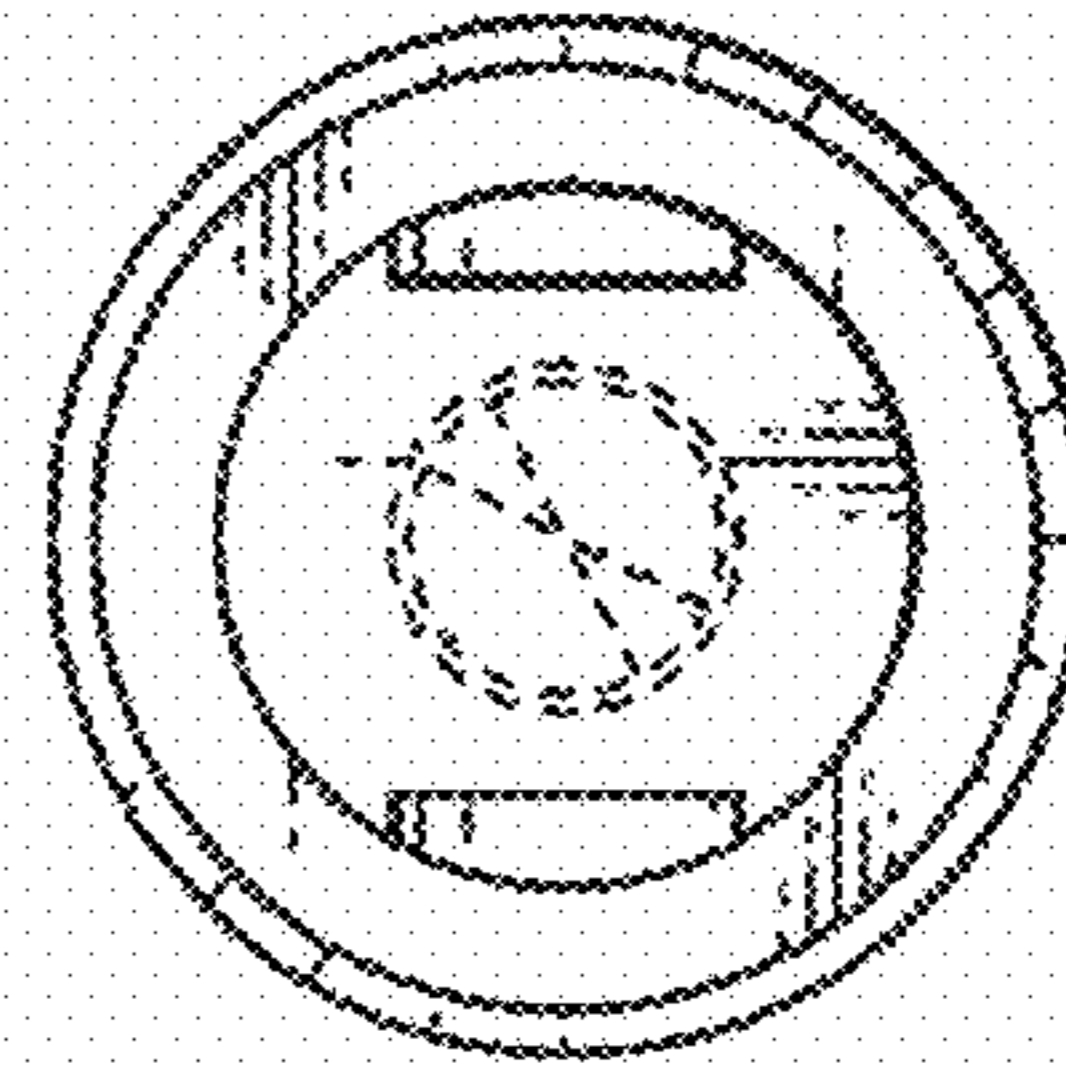


FIG. 12