



US00D739620S

(12) **United States Design Patent**
Johnson

(10) **Patent No.:** **US D739,620 S**

(45) **Date of Patent:** **** Sep. 22, 2015**

(54) **VACUUM CLEANER**

(71) Applicant: **Euro-Pro Operating LLC**, Newton, MA (US)

(72) Inventor: **Owen Rhys Alban Johnson**, Boston, MA (US)

(73) Assignee: **Euro-Pro Operating LLC**, Newton, MA (US)

(**) Term: **14 Years**

(21) Appl. No.: **29/493,760**

(22) Filed: **Jun. 12, 2014**

(51) **LOC (10) Cl.** **15-05**

(52) **U.S. Cl.**
USPC **D32/22**

(58) **Field of Classification Search**
USPC D32/31, 21, 22, 24, 34; 15/350–353,
15/361–362, 347, 410–411, 414, 320–322,
15/329, 335, 246.2, 1.7, 340.2, DIG. 10;
55/345

CPC A47L 5/24; A47L 11/34; A47L 5/362;
A47L 19/1666; A47L 9/325; D01D 45/12;
D01D 50/002

See application file for complete search history.

(56) **References Cited**

U.S. PATENT DOCUMENTS

D510,465 S *	10/2005	Takahashi et al.	D32/22
D573,759 S *	7/2008	Konno et al.	D32/22
D587,870 S *	3/2009	Baek et al.	D32/22
D608,064 S *	1/2010	Conrad et al.	D32/22

D633,264 S *	2/2011	Lee	D32/22
8,032,983 B2 *	10/2011	Griffith et al.	15/347
D662,271 S *	6/2012	Conrad et al.	D32/31
D662,272 S *	6/2012	Conrad et al.	D32/31
D685,961 S *	7/2013	Bilger et al.	D32/31
D686,377 S *	7/2013	Thorne	D32/31
D695,980 S *	12/2013	Thorne	D32/22
2014/0237762 A1 *	8/2014	Conrad	15/352
2014/0259519 A1 *	9/2014	Conrad et al.	15/329

* cited by examiner

Primary Examiner — Ruth McInroy

(74) *Attorney, Agent, or Firm* — Yang IPCo, PLLC

(57) **CLAIM**

I claim the ornamental design for a vacuum cleaner, as shown and described.

DESCRIPTION

FIG. 1 is a perspective view from the front and above of the vacuum cleaner;

FIG. 2 is a perspective view from the rear and below of the vacuum cleaner of FIG. 1;

FIG. 3 is a side elevation view of one side of the vacuum cleaner of FIG. 1;

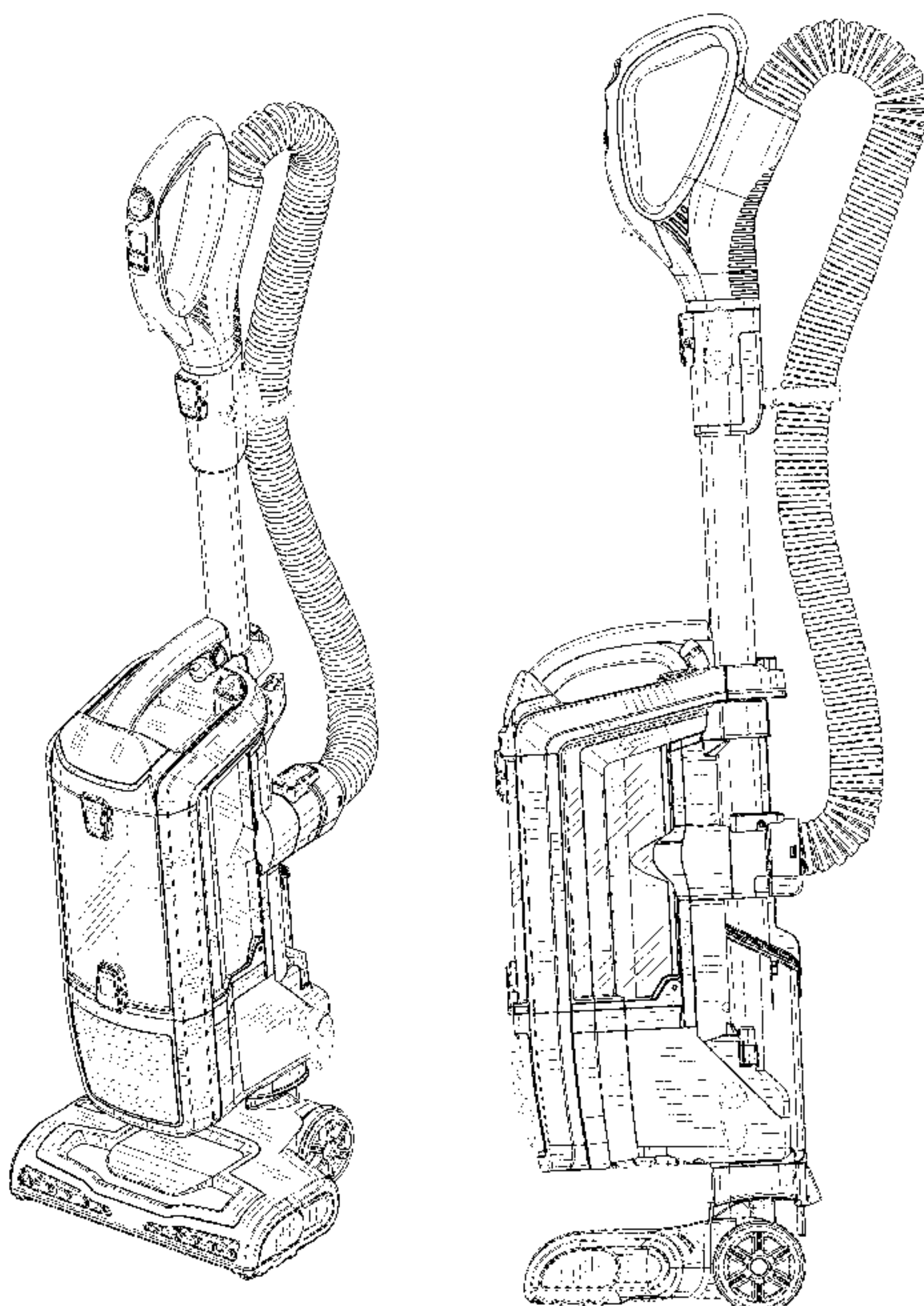
FIG. 4 is a front elevation view of the vacuum cleaner of FIG. 1;

FIG. 5 is a side elevation view of the other side to the side shown in FIG. 3 of the vacuum cleaner of FIG. 1;

FIG. 6 is a rear elevation view of the vacuum cleaner of FIG. 1;

FIG. 7 is a top plan view of the vacuum cleaner of FIG. 1; and, FIG. 8 is a bottom plan view of the vacuum cleaner of FIG. 1. The details shown in broken lines form no part of the claimed design.

1 Claim, 8 Drawing Sheets



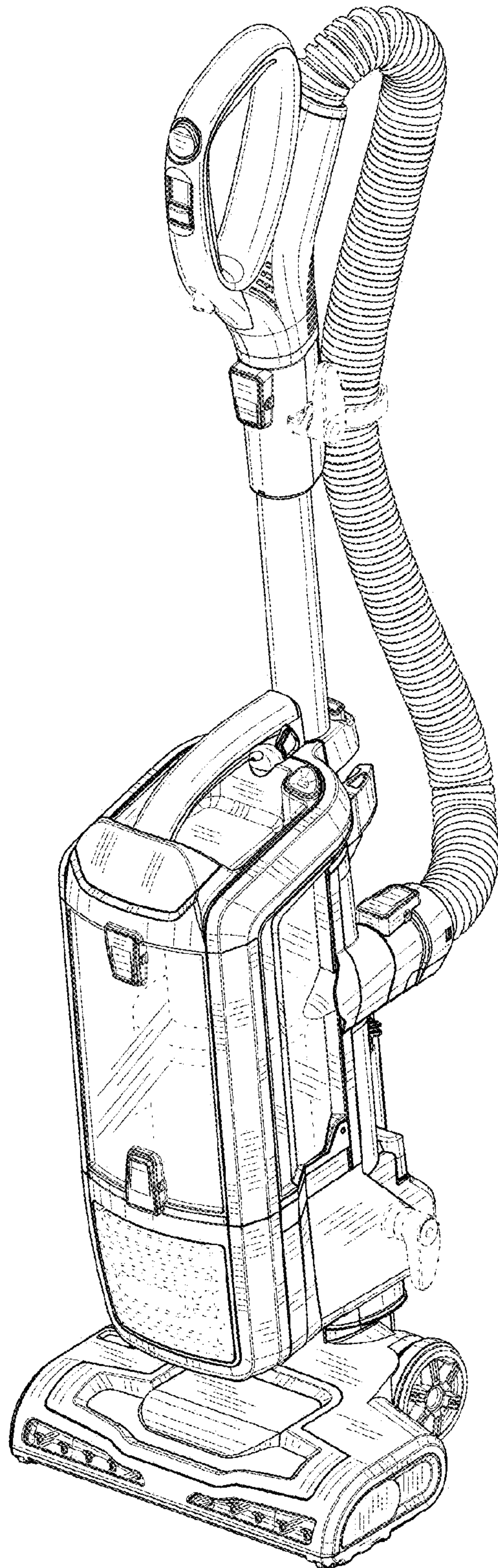


FIG. 1

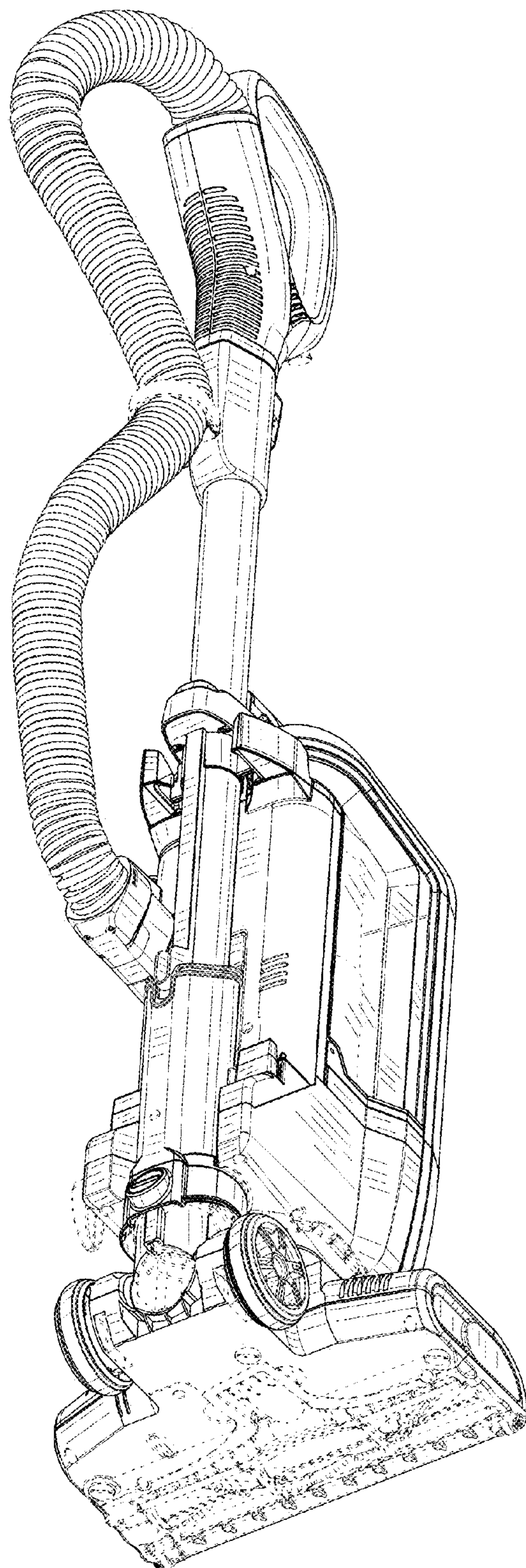


FIG. 2

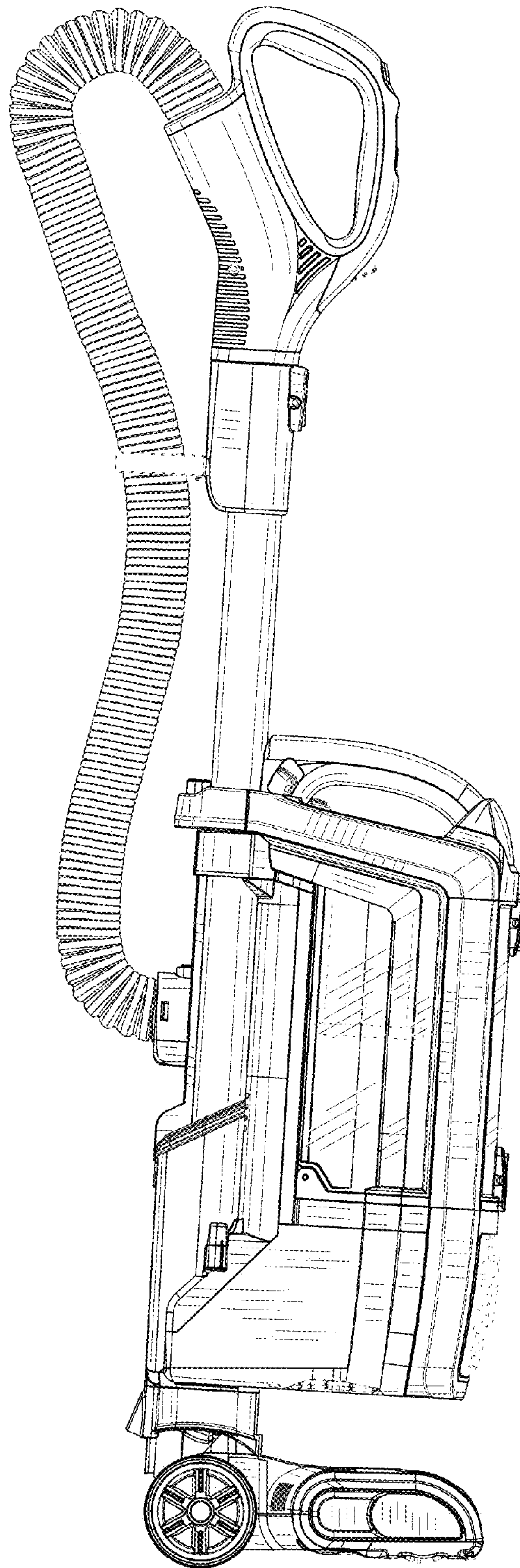


FIG. 3

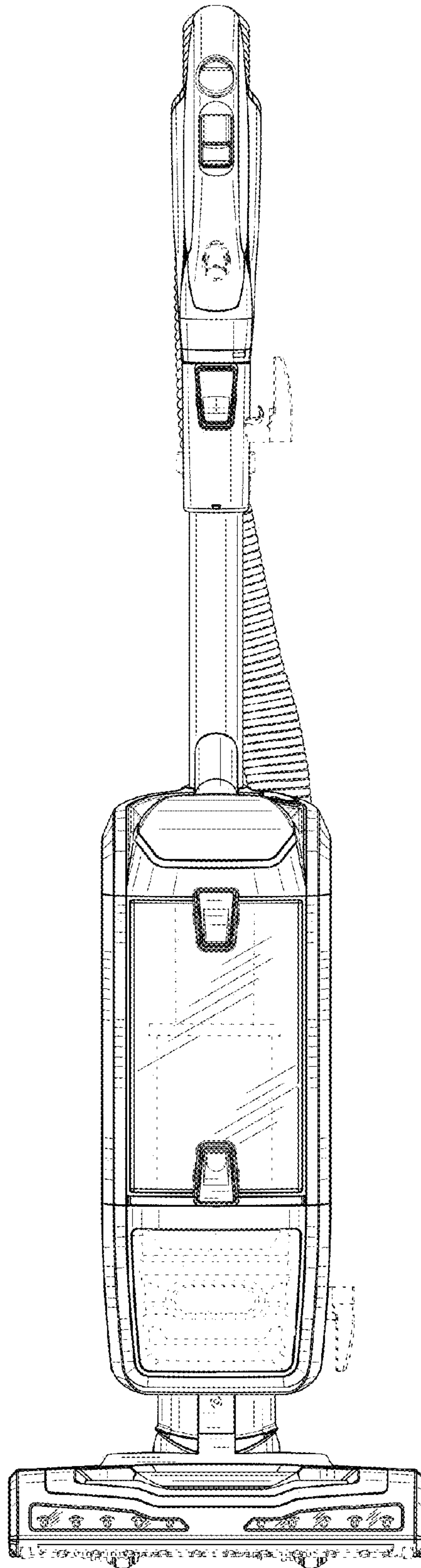


FIG. 4

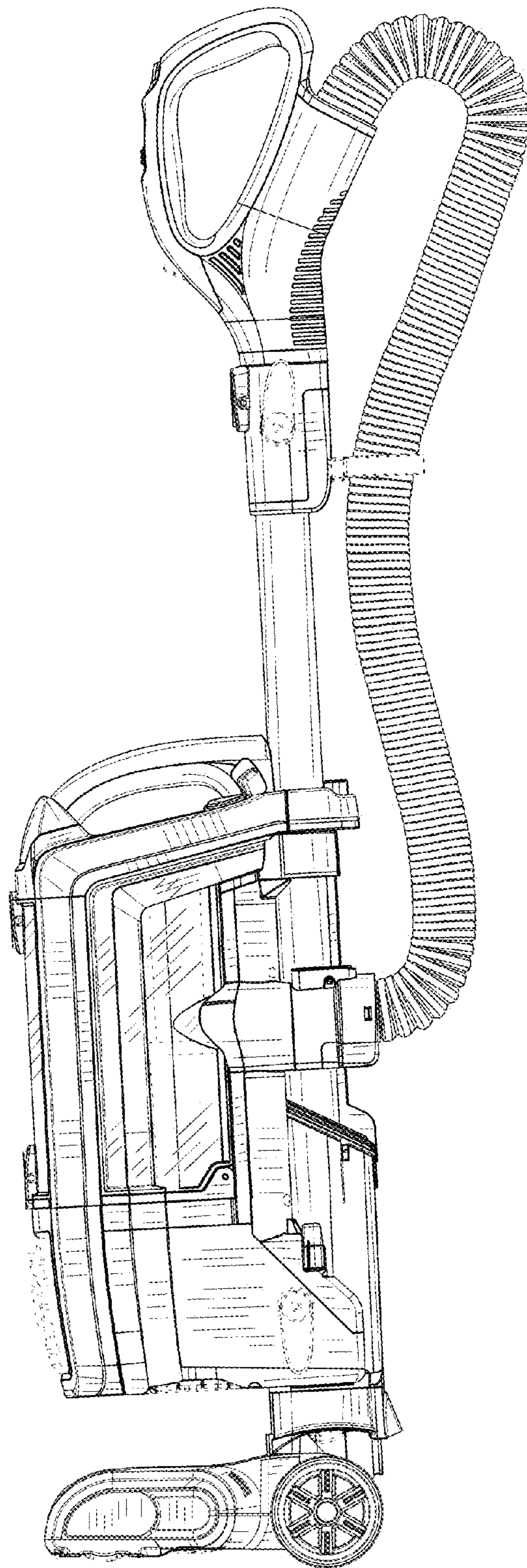


FIG. 5

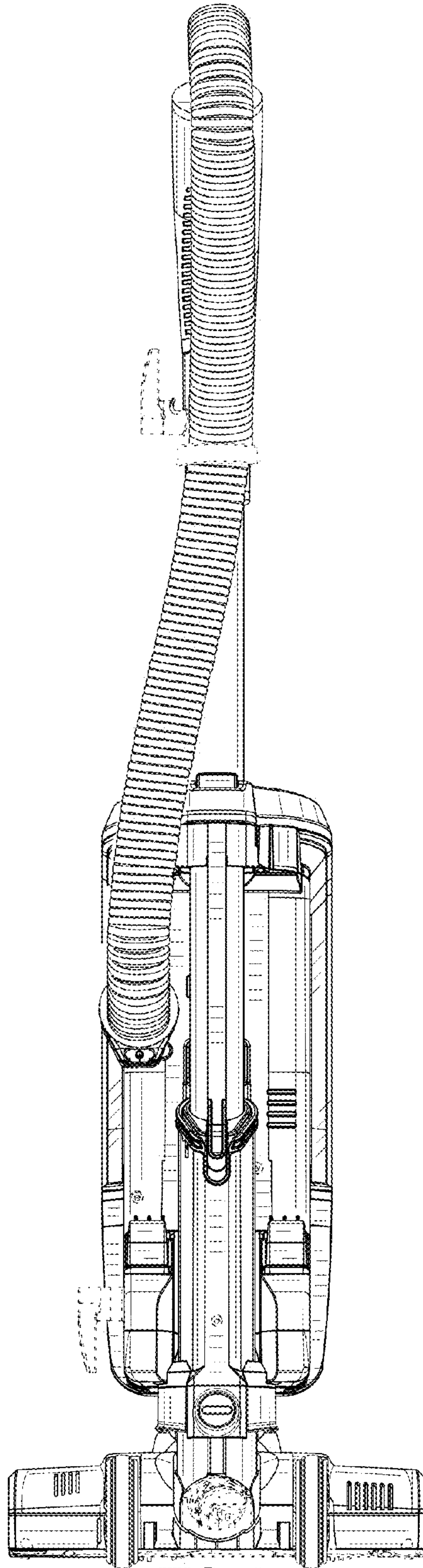


FIG. 6

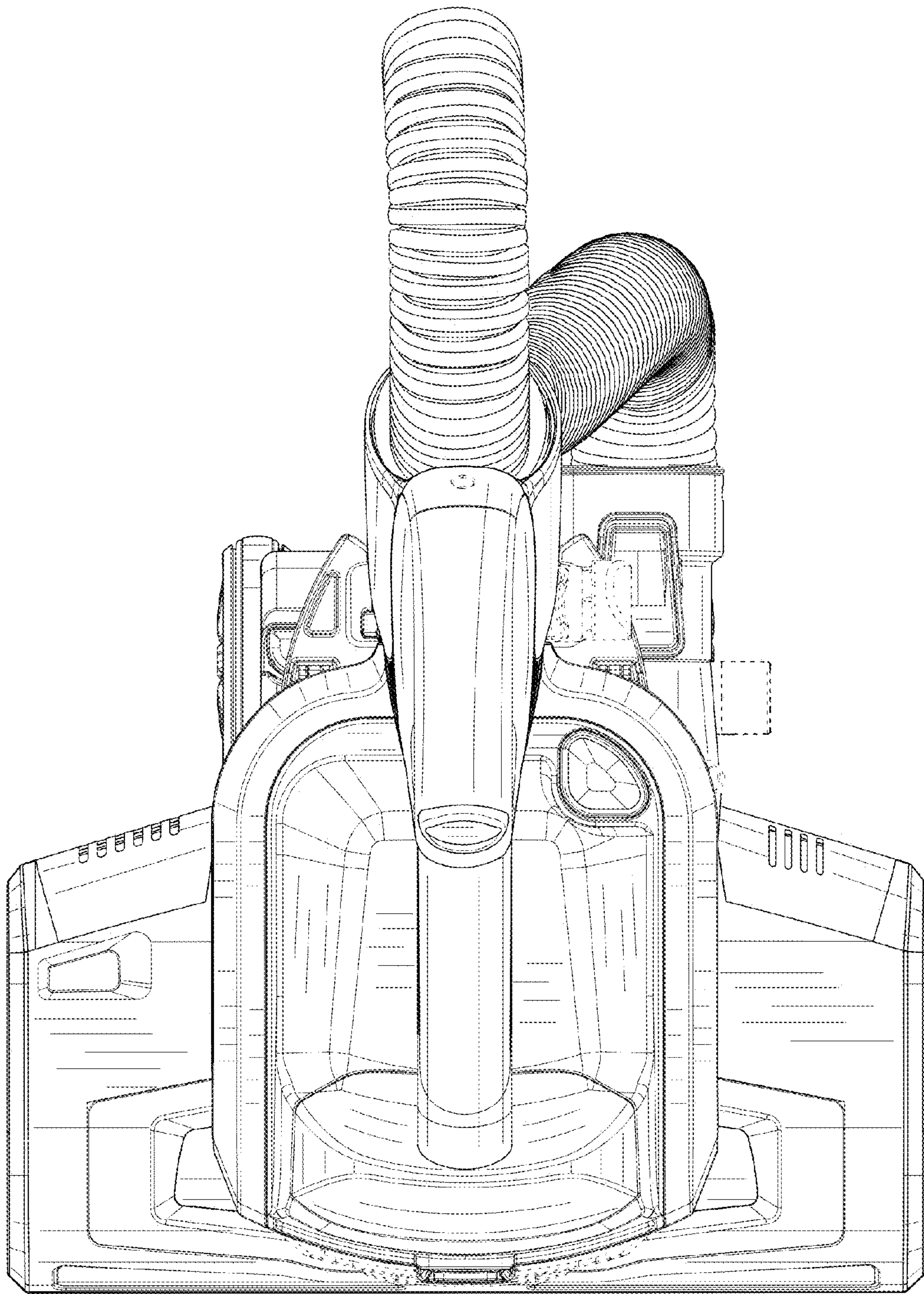


FIG. 7

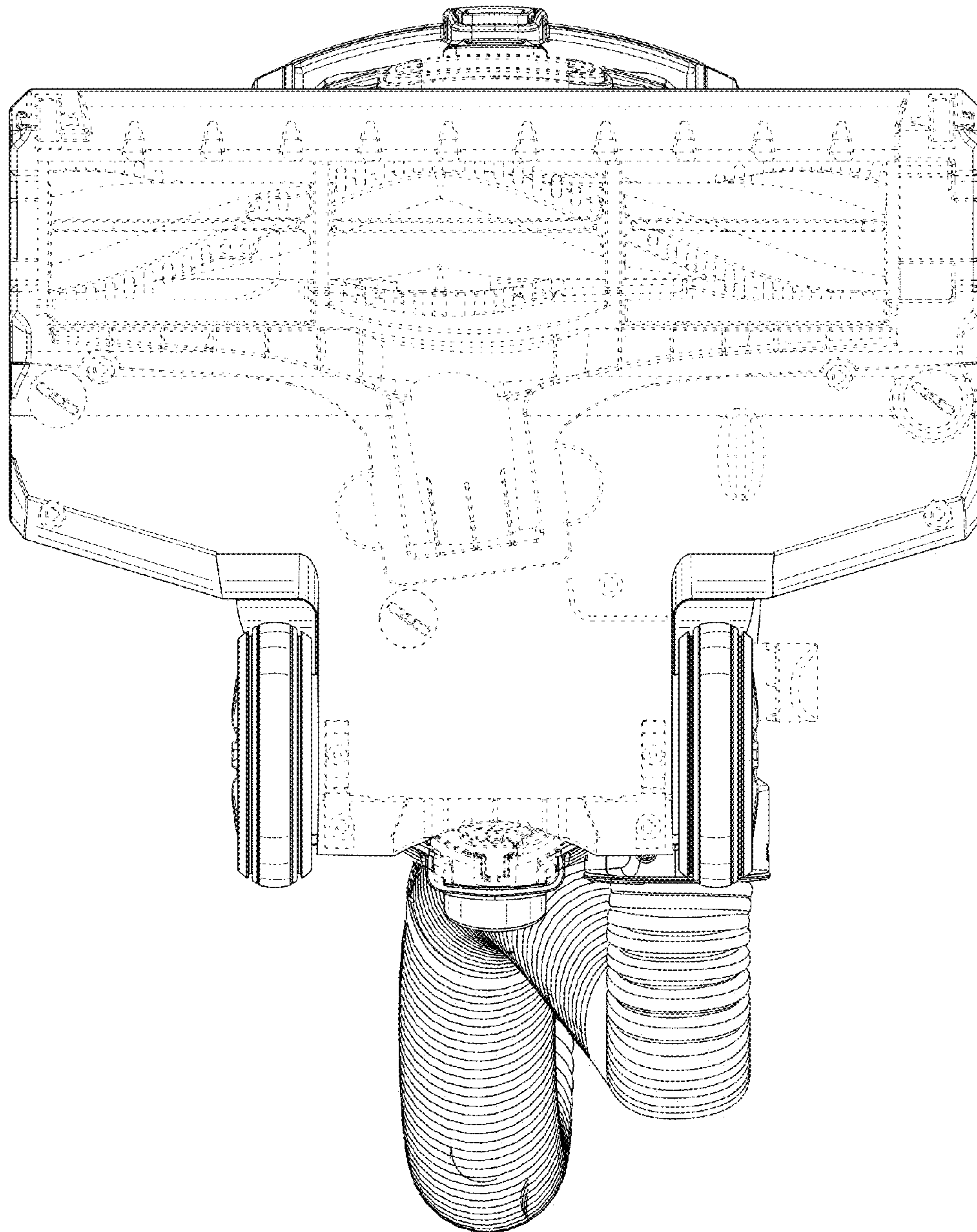


FIG. 8