



US00D739617S

(12) **United States Design Patent**
Slone

(10) **Patent No.:** **US D739,617 S**

(45) **Date of Patent:** **** Sep. 22, 2015**

(54) **CAT LITTER BOX FOR TOILET**

(71) Applicant: **Elizabeth Slone**, Lexington, KY (US)

(72) Inventor: **Elizabeth Slone**, Lexington, KY (US)

(**) Term: **15 Years**

(21) Appl. No.: **29/529,053**

(22) Filed: **Jun. 3, 2015**

(51) **LOC (10) Cl.** **30-99**

(52) **U.S. Cl.**
USPC **D30/161**

(58) **Field of Classification Search**

USPC D30/161; 119/161-165

CPC A01K 1/01; A01K 1/035; A01K 1/0121;

A01K 29/00; A47K 11/02; A47K 11/06;

A47K 13/00; A47K 13/06; A47K 13/14

See application file for complete search history.

(56) **References Cited**

U.S. PATENT DOCUMENTS

2,053,594	A	9/1936	Albert	
3,688,742	A	9/1972	McGee	
3,757,738	A *	9/1973	Hall	119/162
D231,936	S *	6/1974	Sixten	D30/161
3,949,429	A *	4/1976	Hall	119/162
D249,369	S *	9/1978	Kullenback	D30/161
D256,735	S *	9/1980	Denk	D30/161
D271,435	S *	11/1983	Kullenback	D30/161
5,103,772	A	4/1992	Schmid	
D371,873	S	7/1996	Brassfield	
6,341,578	B1 *	1/2002	Berube	119/162
6,418,880	B1	7/2002	Chiu	

6,701,539	B1 *	3/2004	Hogan	119/162
D492,984	S *	7/2004	Kitamura	D30/161
6,860,231	B1	3/2005	Rus	
7,882,805	B2	2/2011	Yu	
7,963,251	B2	6/2011	Lapidge et al.	
8,051,804	B1	11/2011	Rescate	
8,671,888	B1	3/2014	Lei et al.	
2002/0078899	A1 *	6/2002	Chiu	119/162
2004/0210997	A1 *	10/2004	Samuels	4/484
2005/0268388	A1 *	12/2005	Young	4/239
2009/0044323	A1 *	2/2009	Feemster	4/300
2012/0042443	A1 *	2/2012	Aguila	4/245.6

* cited by examiner

Primary Examiner — Cathy A MacCormac

(74) *Attorney, Agent, or Firm* — Michael Coblenz

(57) **CLAIM**

The ornamental design for a cat litter box for toilet, as shown and described.

DESCRIPTION

FIG. 1 is a top perspective view of a cat litter box for toilet showing my new design in position on a representative toilet;

FIG. 2 is another top perspective view thereof;

FIG. 3 is a bottom perspective view thereof;

FIG. 4 is a top plan view thereof;

FIG. 5 is a bottom plan view thereof;

FIG. 6 is a front elevation view thereof;

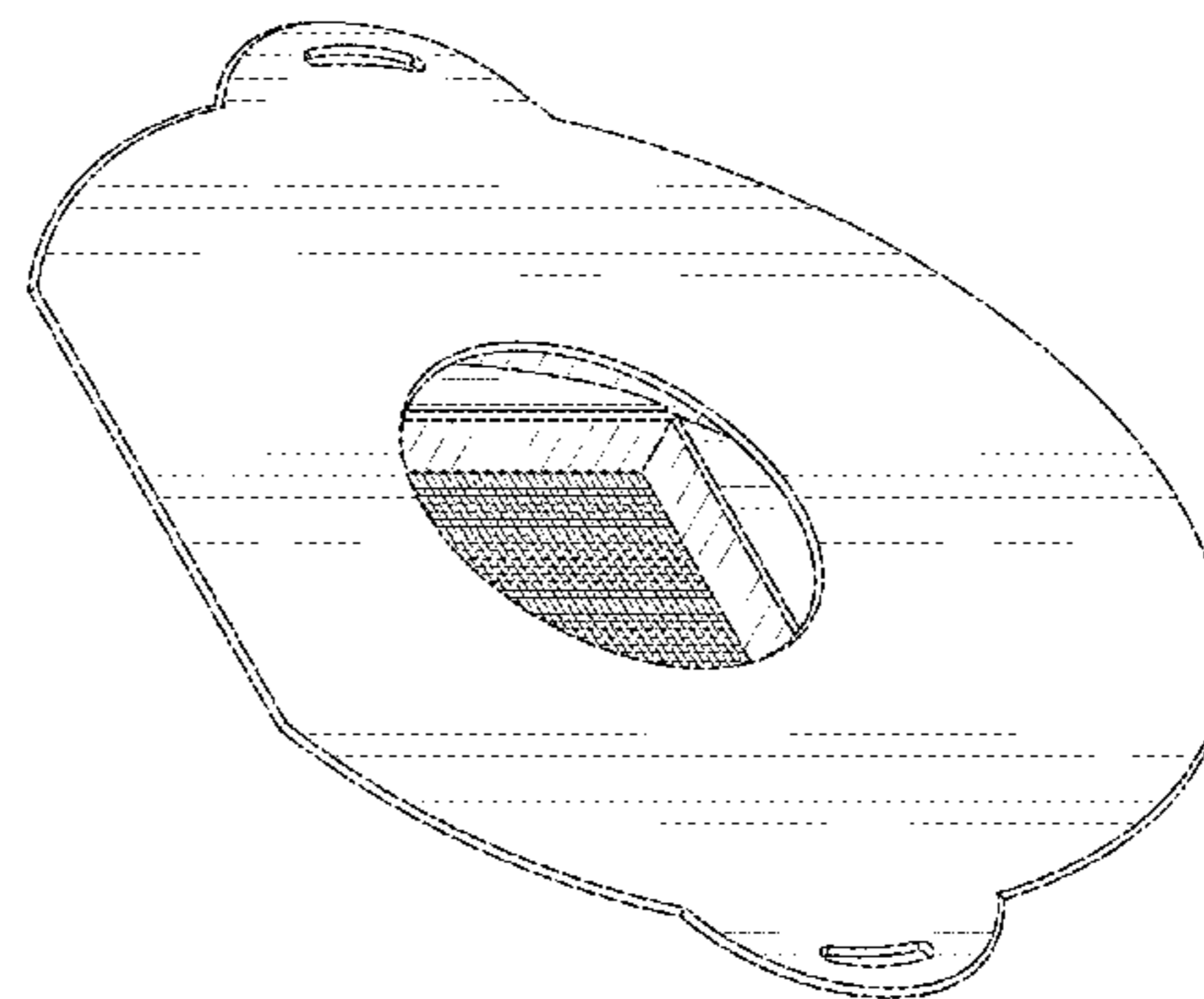
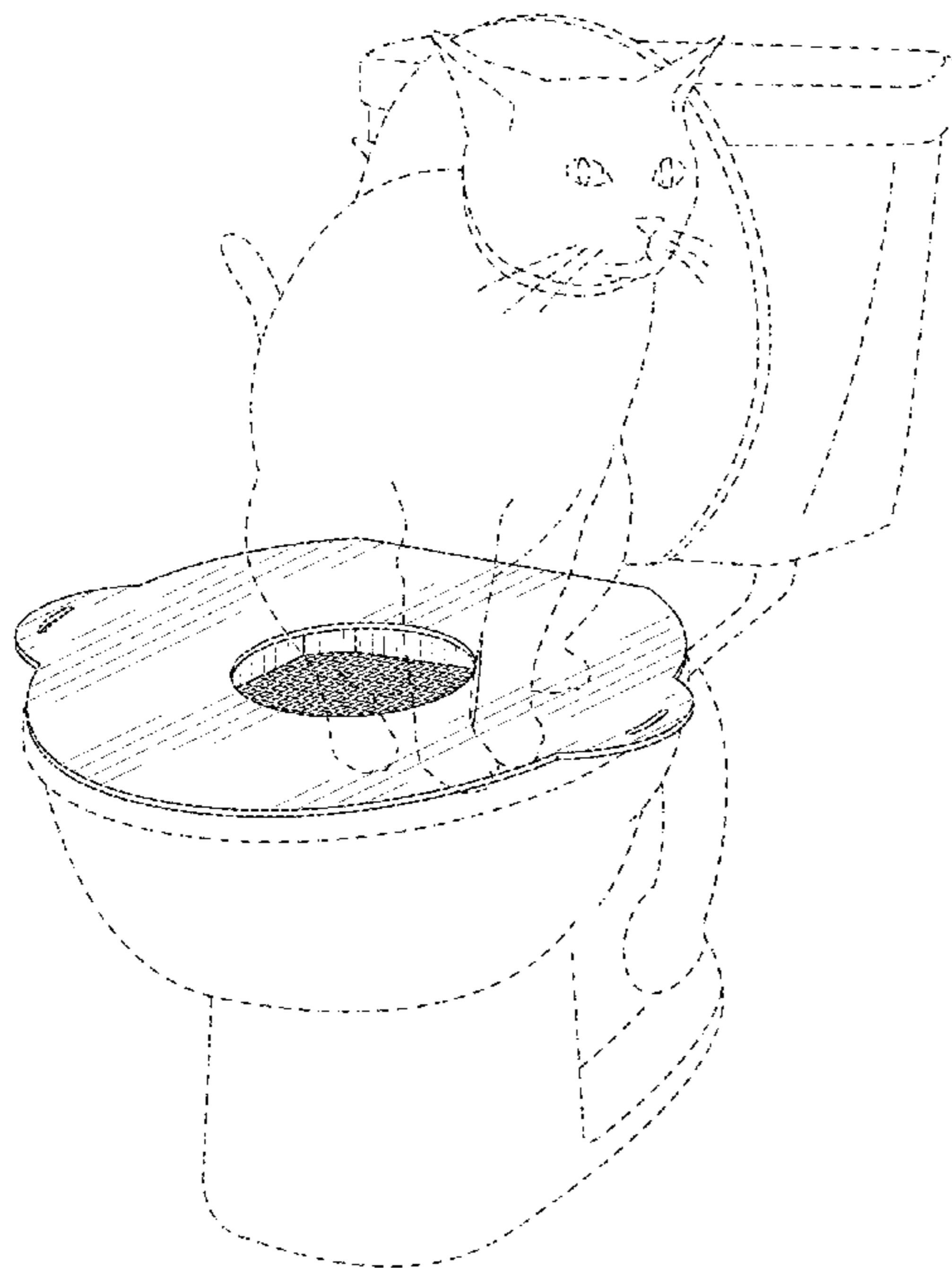
FIG. 7 is a back elevation view thereof;

FIG. 8 is a left elevation view thereof; and,

FIG. 9 is a right elevation view thereof.

The broken lines depict environmental subject matter, are for illustration only and form no part of the claimed design.

1 Claim, 6 Drawing Sheets



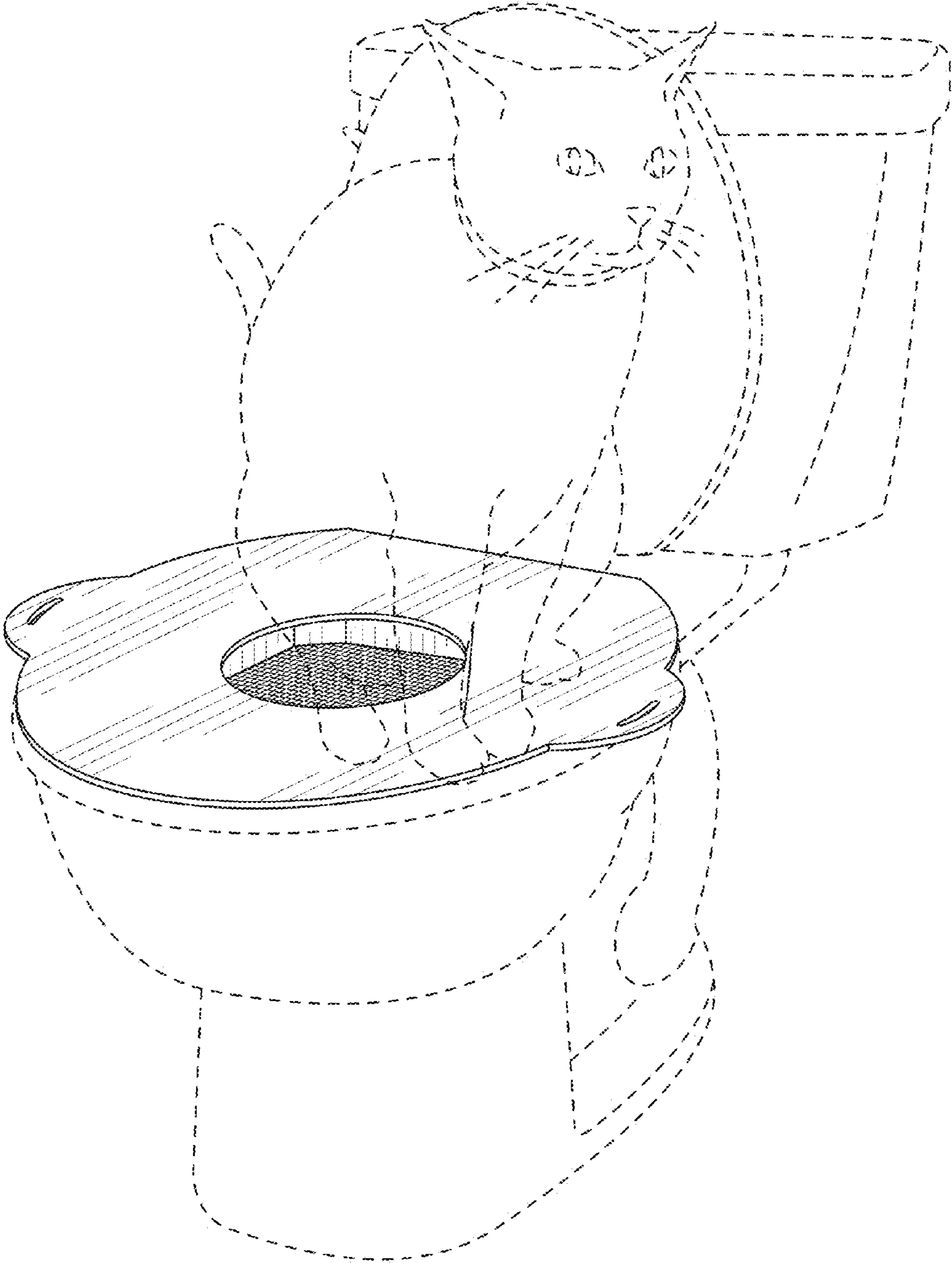


FIG. 1

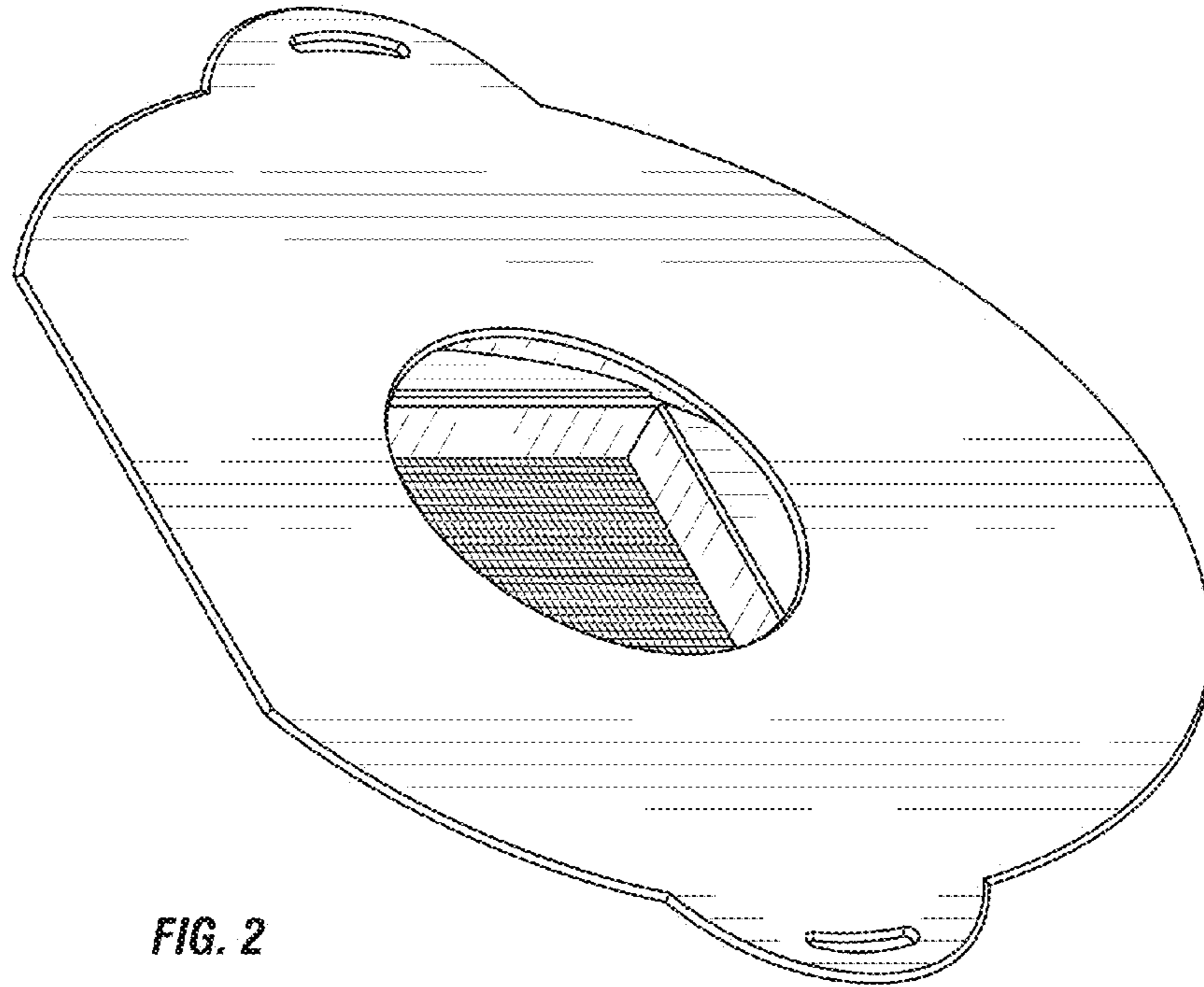


FIG. 2

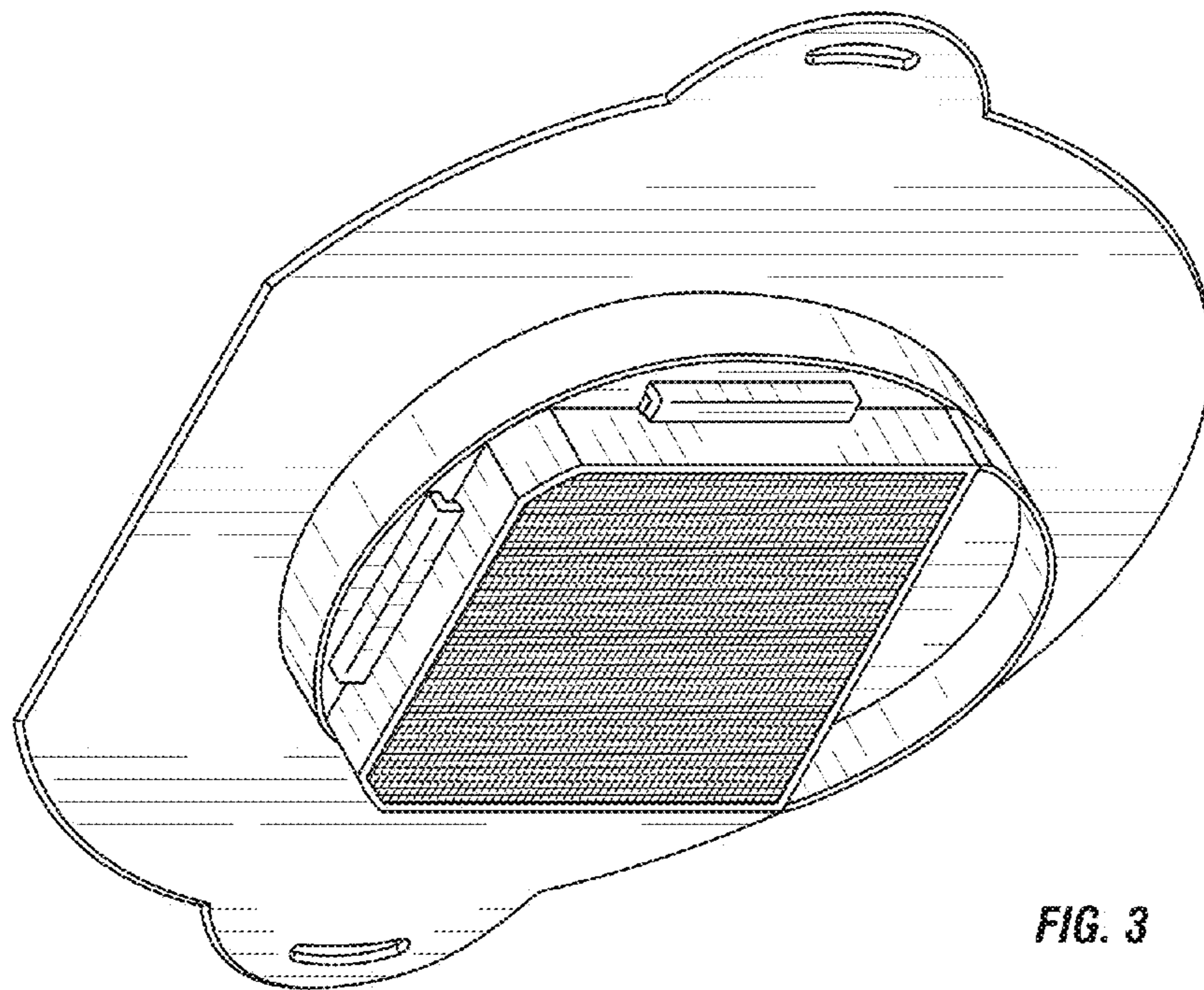


FIG. 3

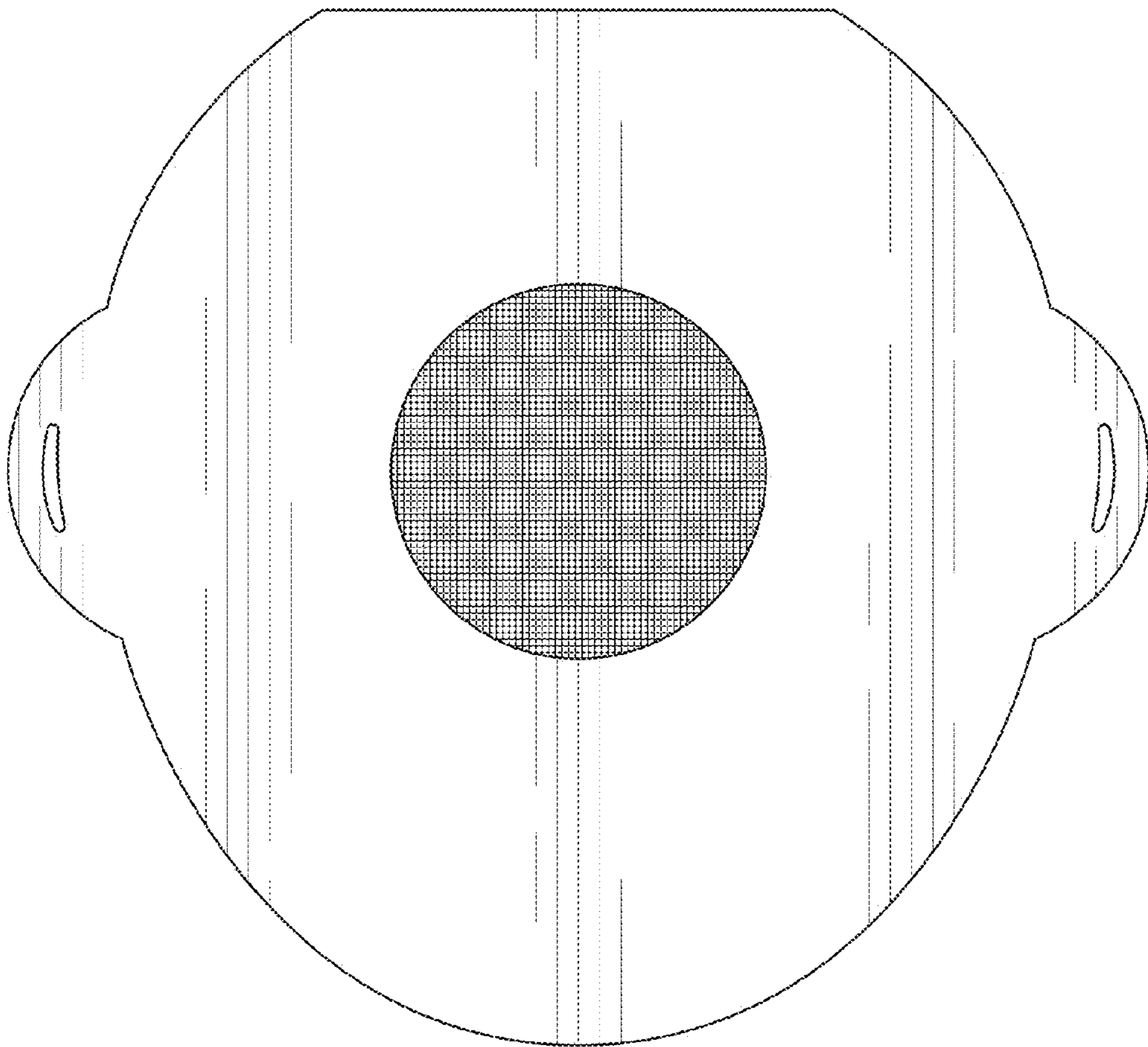


FIG. 4

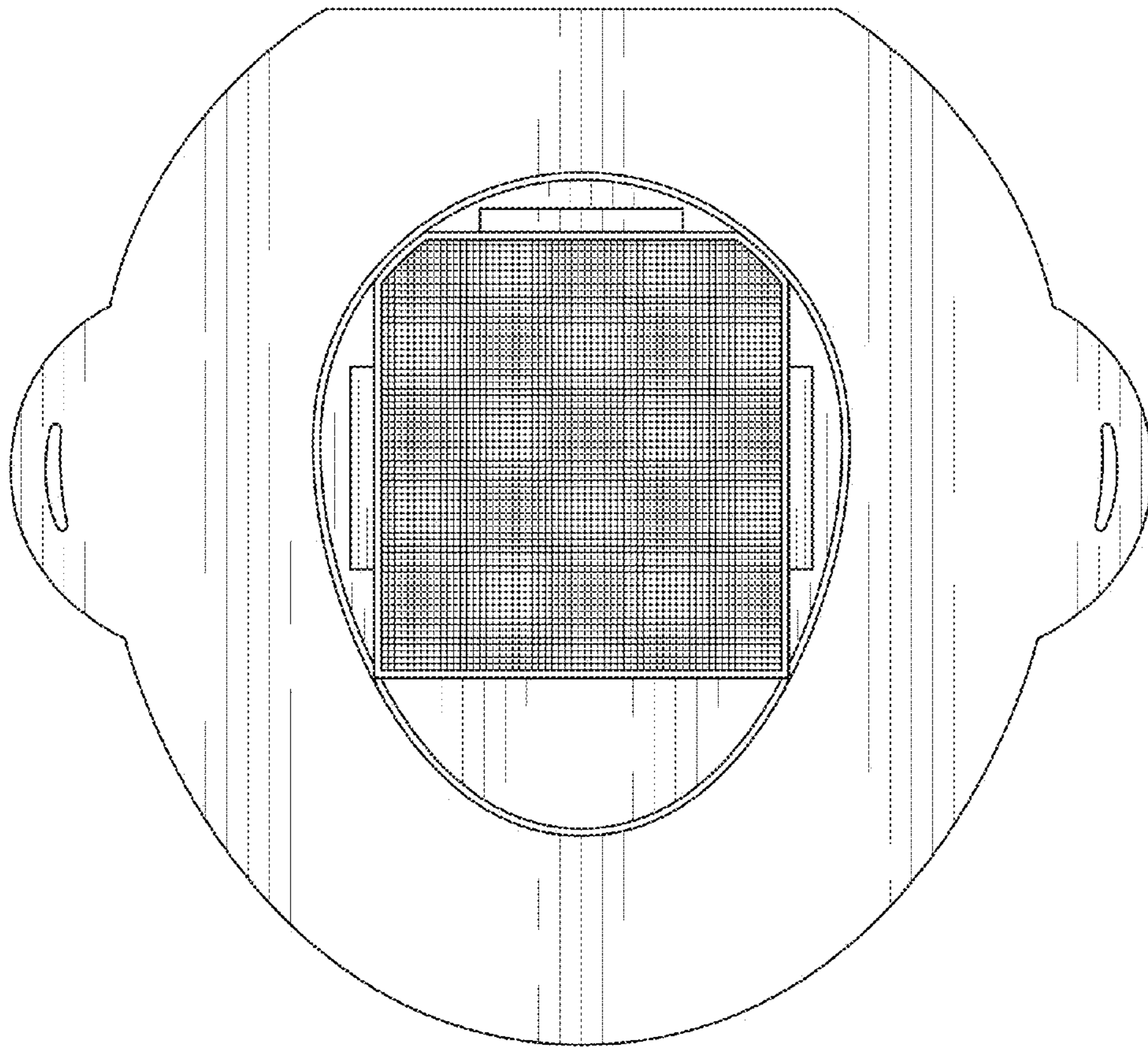


FIG. 5

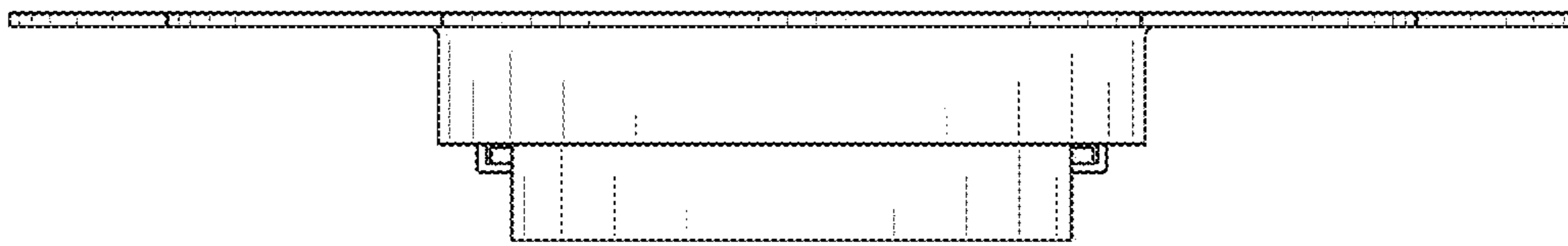


FIG. 6

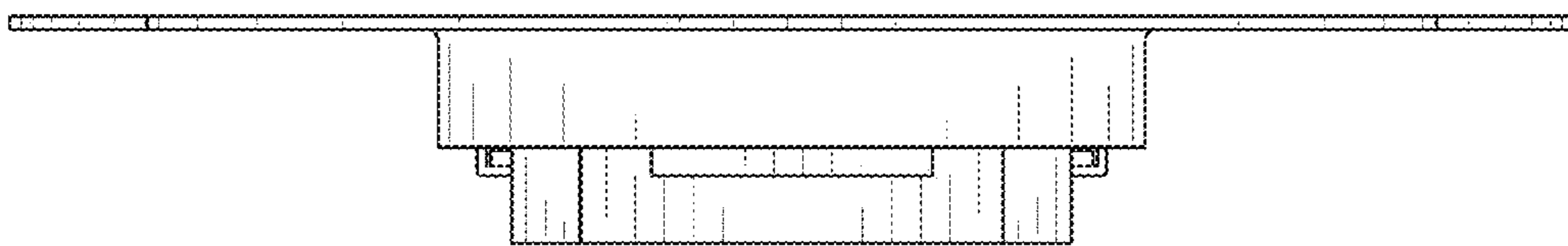


FIG. 7

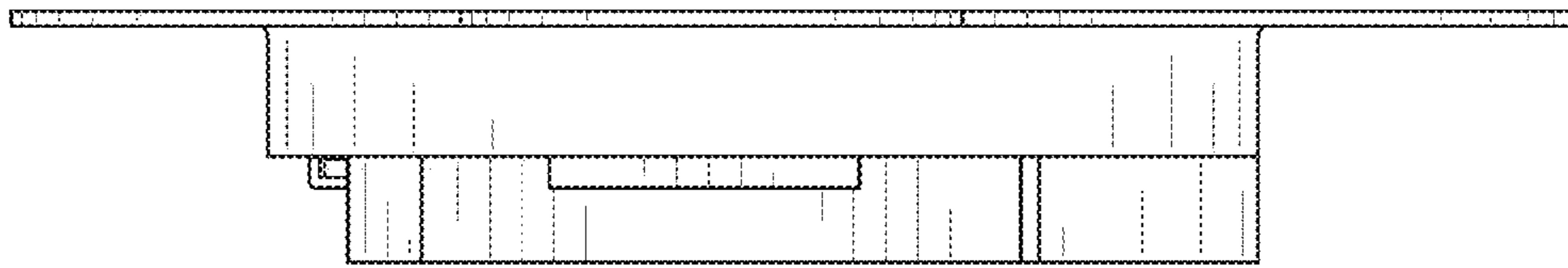


FIG. 8

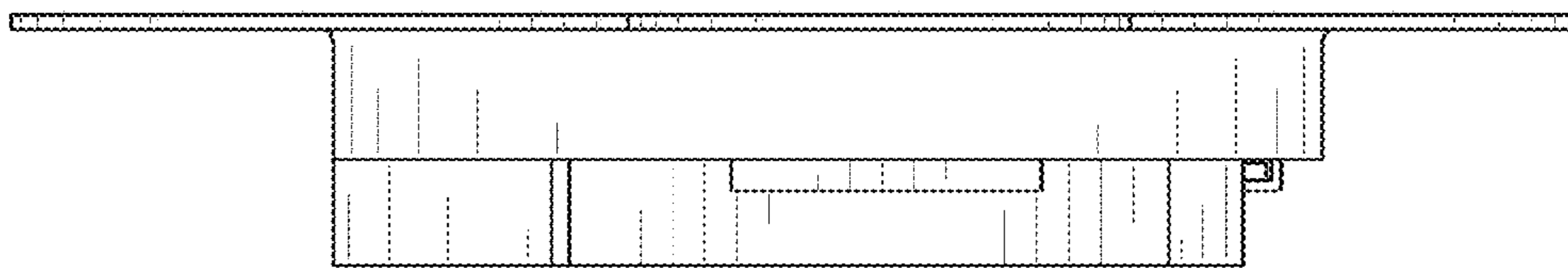


FIG. 9