



US00D739616S

(12) **United States Design Patent**
Elliott et al.

(10) **Patent No.:** **US D739,616 S**

(45) **Date of Patent:** **** Sep. 22, 2015**

(54) **PET SCRATCHER**

(71) Applicant: **Pet Fusion, LLC**, West Orange, NJ (US)

(72) Inventors: **Theodore Elliott**, West Orange, NJ (US); **Andrew Roost**, Fanwood, NJ (US)

(73) Assignee: **Pet Fusion, LLC**, West Orange, NJ (US)

(**) Term: **14 Years**

(21) Appl. No.: **29/488,188**

(22) Filed: **Apr. 16, 2014**

(51) **LOC (10) Cl.** **30-99**

(52) **U.S. Cl.**

USPC **D30/160**

(58) **Field of Classification Search**

USPC D30/160, 118; D2/869; D7/391-392, D7/392.1; 135/87, 125-126, 128; 119/702, 119/706-711, 28.5; D6/349

CPC A01K 1/00; A01K 13/00; A01K 15/02; A01K 15/00; A01K 15/024; A01K 15/025; A01K 27/00; A01K 29/00; E04H 15/02

See application file for complete search history.

(56) **References Cited**

U.S. PATENT DOCUMENTS

D447,805 S	9/2001	Siegal	
D448,228 S	9/2001	Davis et al.	
D453,980 S	2/2002	Shoemaker et al.	
D466,749 S	12/2002	O'Quinn	
D469,486 S	1/2003	Olson	
D487,553 S	3/2004	Morikawa	
D582,611 S	12/2008	Bise	
D589,657 S	3/2009	Lamstein	
D627,111 S *	11/2010	Seliskar	D30/160
D627,524 S	11/2010	Seliskar	
D630,386 S	1/2011	Bise	
D645,269 S *	9/2011	Vitale	D6/361

D651,367 S	12/2011	Seliskar et al.	
D651,369 S *	12/2011	Seliskar et al.	D30/160
D651,370 S	12/2011	Seliskar et al.	
D651,770 S	1/2012	Seliskar et al.	
D652,179 S	1/2012	Haaf	
D670,873 S	11/2012	Seliskar et al.	
D688,053 S	8/2013	Chin	
D688,054 S	8/2013	Chin	
D693,527 S	11/2013	Traylor	
D705,934 S *	5/2014	Matuschek et al.	D24/158

OTHER PUBLICATIONS

Imperial Cat, Vogue Scratch and Shape, <http://www.amazon.com/Imperial-Cat-Vogue-Scratch-Modern/dp/B004UJM6DQ>, accessed Apr. 22, 2014.

Imperial Cat, Reindeer Recycled Paper Scratching Post, <http://www.walmart.com/ip/Imperial-Cat-Reindeer-Cat-Scratcher/19627327>, accessed Apr. 22, 2014.

Imperial Cat, Big Cat Scratch and Shape, http://www.amazon.com/Imperial-Cat-Scratch-Shape-Modern/dp/B0017JFH6U/ref=pd_sim_sbs_petsupplies_4?ie=UTF8&refRID=1EW6YFPDYPJY3P7AW67M, accessed Apr. 22, 2014.

(Continued)

Primary Examiner — Cathy Anne MacCormac

(74) *Attorney, Agent, or Firm* — Myers Wolin, LLC

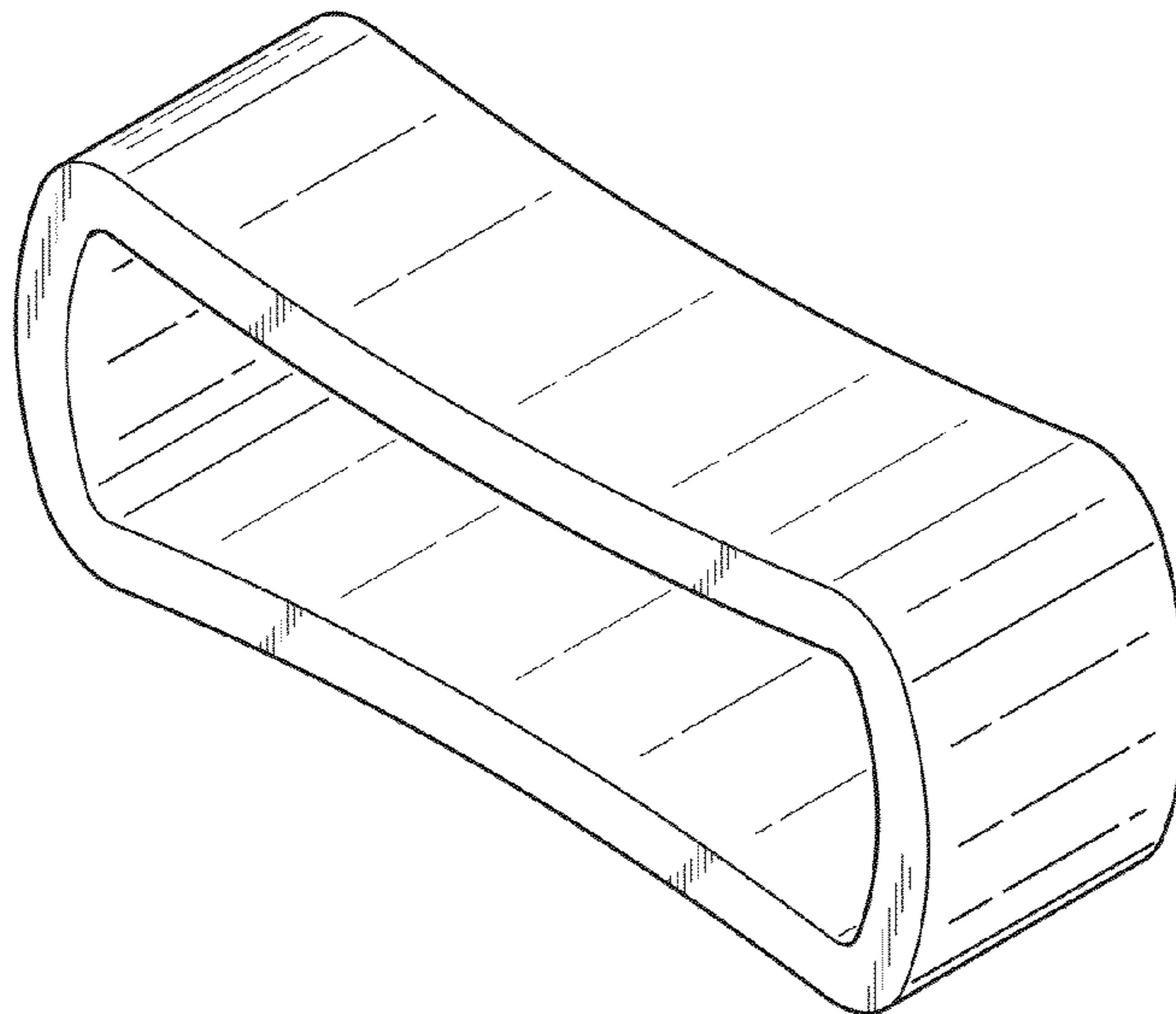
(57) **CLAIM**

The ornamental design for a pet scratcher, as shown and described.

DESCRIPTION

FIG. 1 is a perspective view of a pet scratcher showing our new design; FIG. 2 is a top view thereof, the bottom view being identical; FIG. 3 is a front view thereof, the back view being identical; and, FIG. 4 is left side view thereof, the right side view being identical.

1 Claim, 1 Drawing Sheet



(56)

References Cited

OTHER PUBLICATIONS

Imperial Cat, Chair and Ottoman, <http://conservationclub.com/2012/11/imperial-cat-chair-and-ottoman-thanksgiving-giveaway/imperial-cat-chair-and-ottoman-2/>, accessed Apr. 22, 2014.

Kitticraft, Sling Scratcher, <http://kitticraft.com/shop/cat-scratch-furniture/sling-scratcher/>, accessed Apr. 22, 2014.

Karma Products, LLC, Infinity Cat Scratcher Lounge, http://www.amazon.com/Karma-Products-LLC-Infinity-Scratcher/dp/B008FG9UN4/ref=pd_sim_petsupplies_8?ie=UTF8&refRID=01AR8NEVHEJQT78FWM66, accessed Apr. 22, 2014.

PetFusion, Cat Scratcher Lounge, http://www.amazon.com/PetFusion-Scratcher-Lounge-Walnut-Brown/dp/B004X6UEH6/ref=pd_sim_sbs_petsupplies_1?ie=UTF8&refRID=0NYDQK8ATHEDNHK4P8JZ, accessed Apr. 22, 2014.

Imperial Cat, Pumpkin Recycled Paper Scratching Post, <http://www.walmart.com/ip/Imperial-Cat-Pumpkin-Cat-Scratcher/17519749>, accessed Apr. 22, 2014.

Mykitty, Komplet Lui + Vigo Bialy, <http://www.mykotty.pl/product-pol-10-KOMPLET-LUI-VIGO-bialy.html>, accessed Apr. 22, 2014.

* cited by examiner

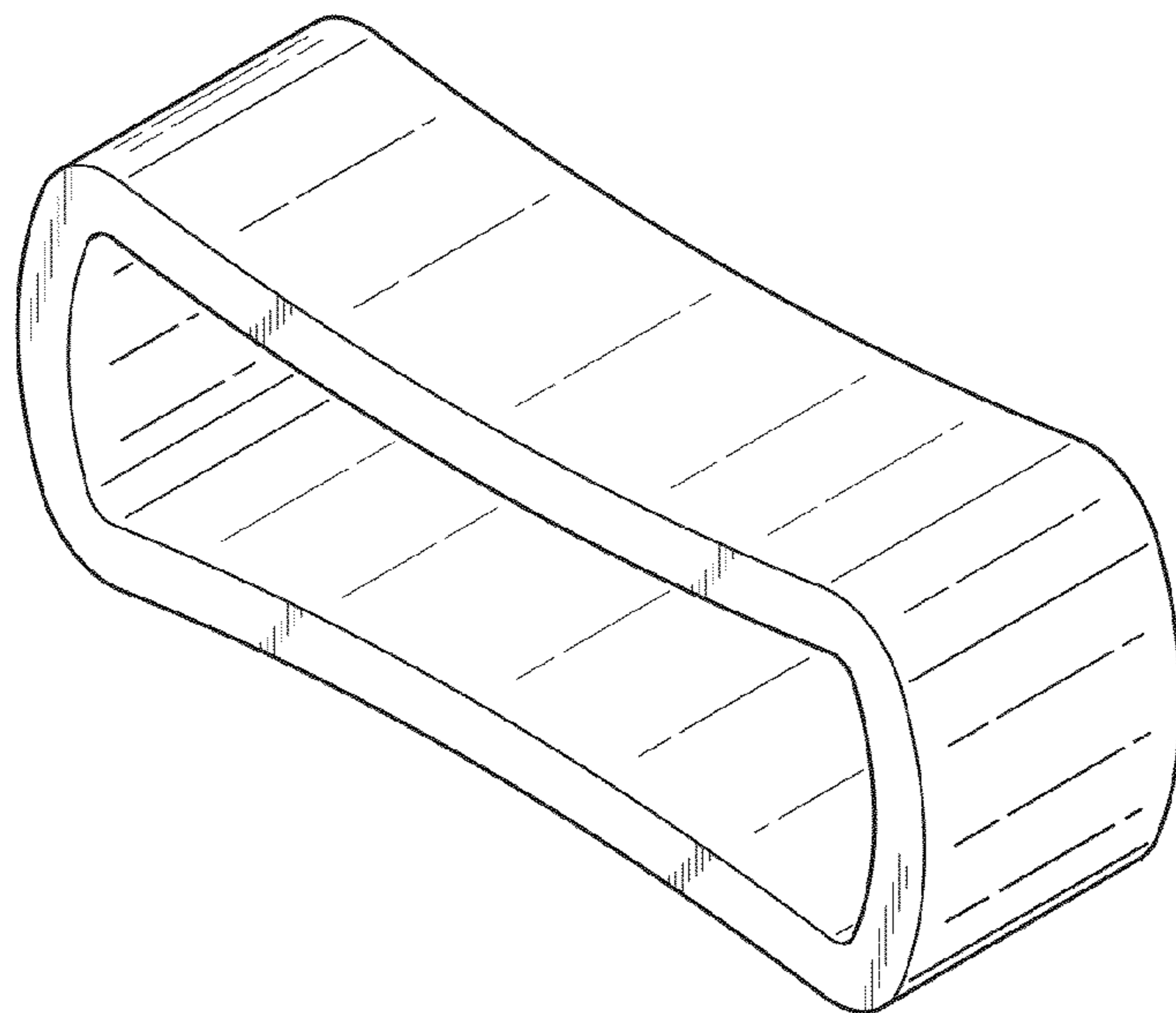


FIG. 1

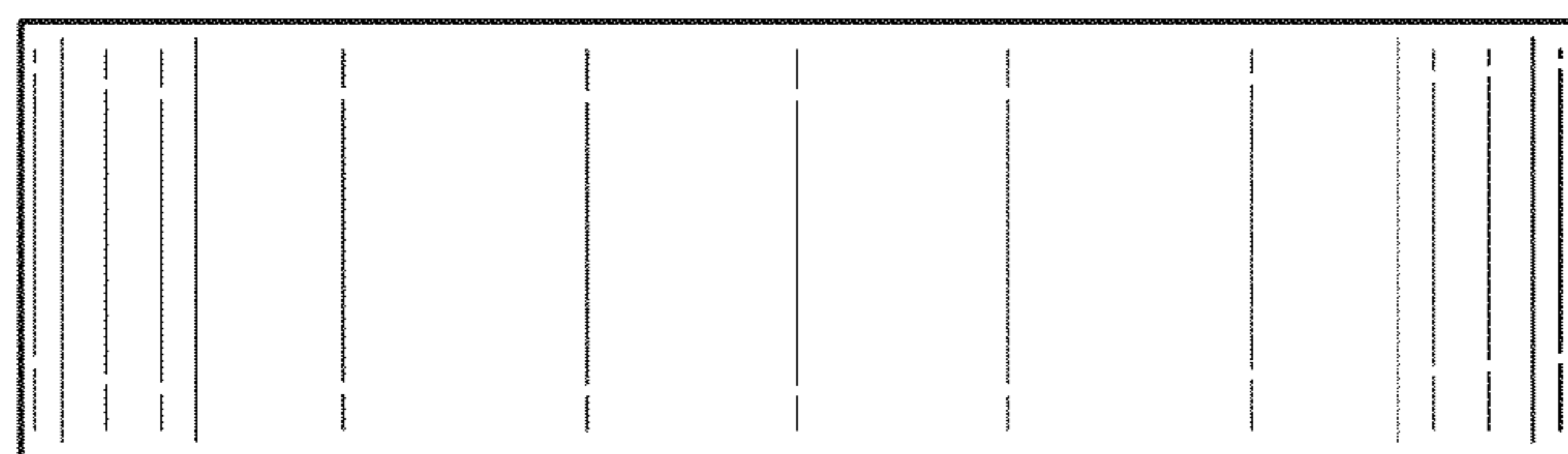


FIG. 2

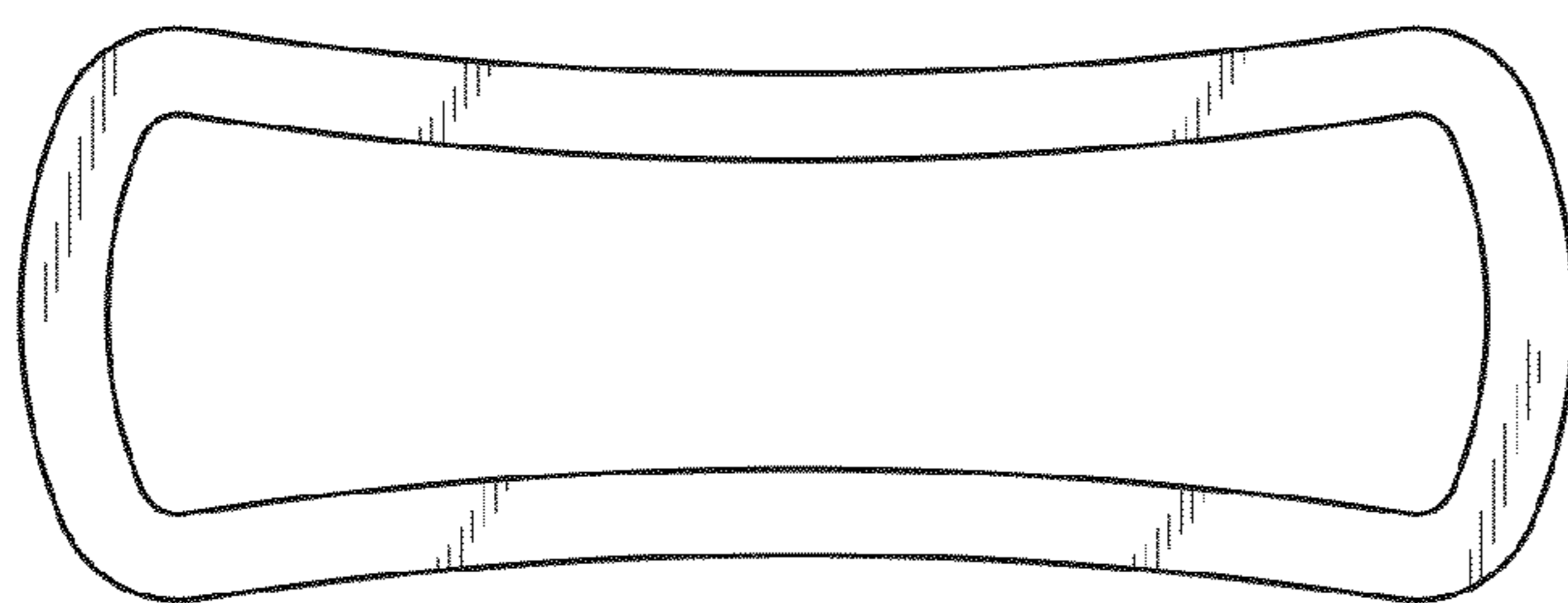


FIG. 3

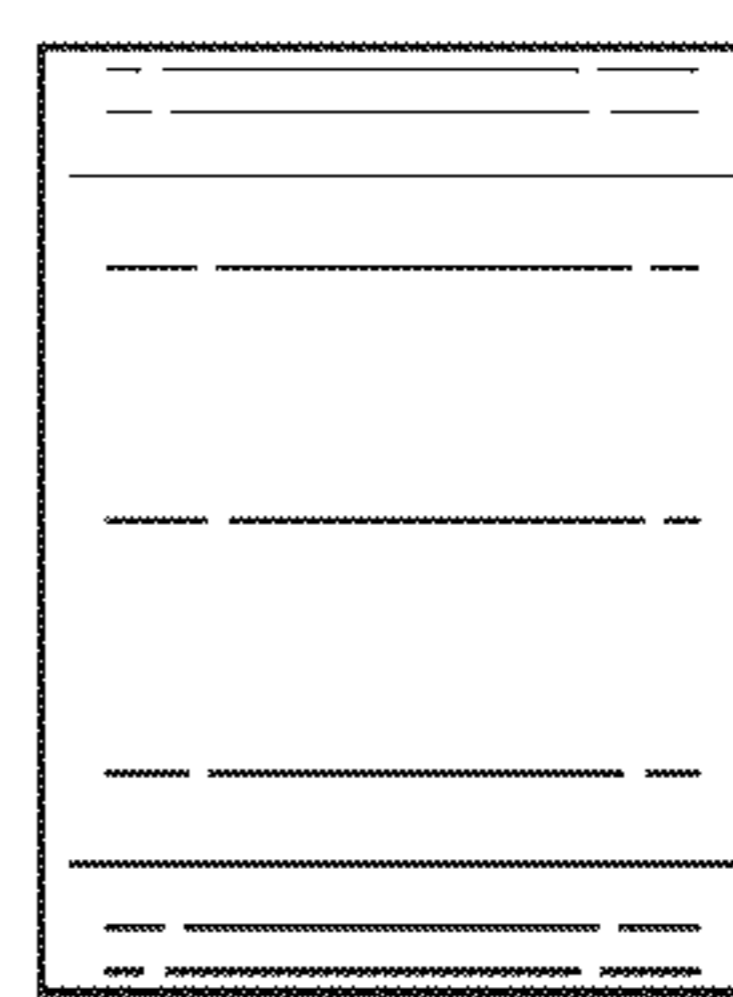


FIG. 4