



US00D739613S

(12) **United States Design Patent**
Cantwell et al.

(10) **Patent No.:** **US D739,613 S**

(45) **Date of Patent:** **** Sep. 22, 2015**

(54) **DOOR FRAME AND SPLIT DOOR FOR AN ANIMAL ENCLOSURE**

(71) Applicant: **Mid-West Metal Products Co., Inc.**,
Muncie, IN (US)

(72) Inventors: **Brad Cantwell**, Muncie, IN (US);
Michael E. Greene, Muncie, IN (US);
Terrance L. Jones, Muncie, IN (US);
Stew Kerr, Muncie, IN (US)

(73) Assignee: **Mid-West Metal Products Co., Inc.**,
Muncie, IN (US)

(**) Term: **14 Years**

(21) Appl. No.: **29/468,526**

(22) Filed: **Oct. 1, 2013**

(51) **LOC (10) Cl.** **30-02**

(52) **U.S. Cl.**
USPC **D30/119**

(58) **Field of Classification Search**
USPC D30/108-109, 112, 114, 119;
119/452-453, 474, 480, 481-482, 489,
119/491, 496-498, 500-501, 513, 650, 673,
119/678, 712, 751

See application file for complete search history.

(56) **References Cited**

U.S. PATENT DOCUMENTS

3,556,058	A *	1/1971	Smiler	119/474
6,192,834	B1 *	2/2001	Kolozsvari	119/498
6,581,545	B1 *	6/2003	Foster	119/482
6,681,720	B1 *	1/2004	Skurdalsvold et al.	119/474
6,763,784	B1 *	7/2004	Liu	119/452
6,883,463	B2 *	4/2005	Link	119/474
8,210,127	B2 *	7/2012	Kaneda et al.	119/481
D690,474	S *	9/2013	Cantwell et al.	D30/119
D697,273	S *	1/2014	Cantwell et al.	D30/119

* cited by examiner

Primary Examiner — Cathy Anne MacCormac

(74) *Attorney, Agent, or Firm* — Stephen F. Rost; Taft Stettinius & Hollister LLP

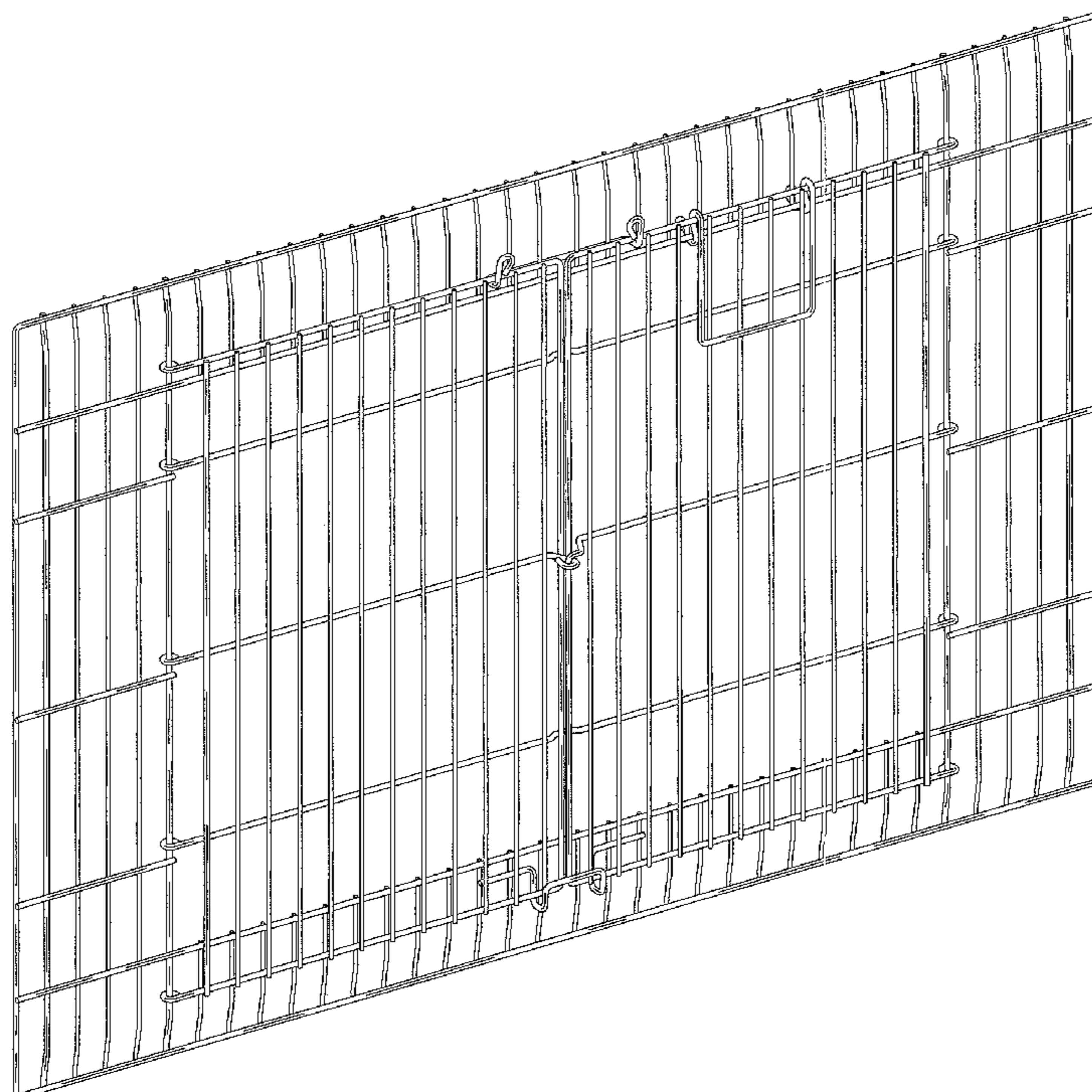
(57) **CLAIM**

The ornamental design for a door frame and split door for an animal enclosure, as shown and described.

DESCRIPTION

FIG. 1 is a perspective view of a door frame and split door for an animal enclosure that illustrates the novel design; FIG. 2 is a front view thereof; FIG. 3 is a left side elevational view thereof; FIG. 4 is a right side elevational view thereof; FIG. 5 is a top view thereof; FIG. 6 is a bottom view thereof; and, FIG. 7 is a rear view thereof.

1 Claim, 5 Drawing Sheets



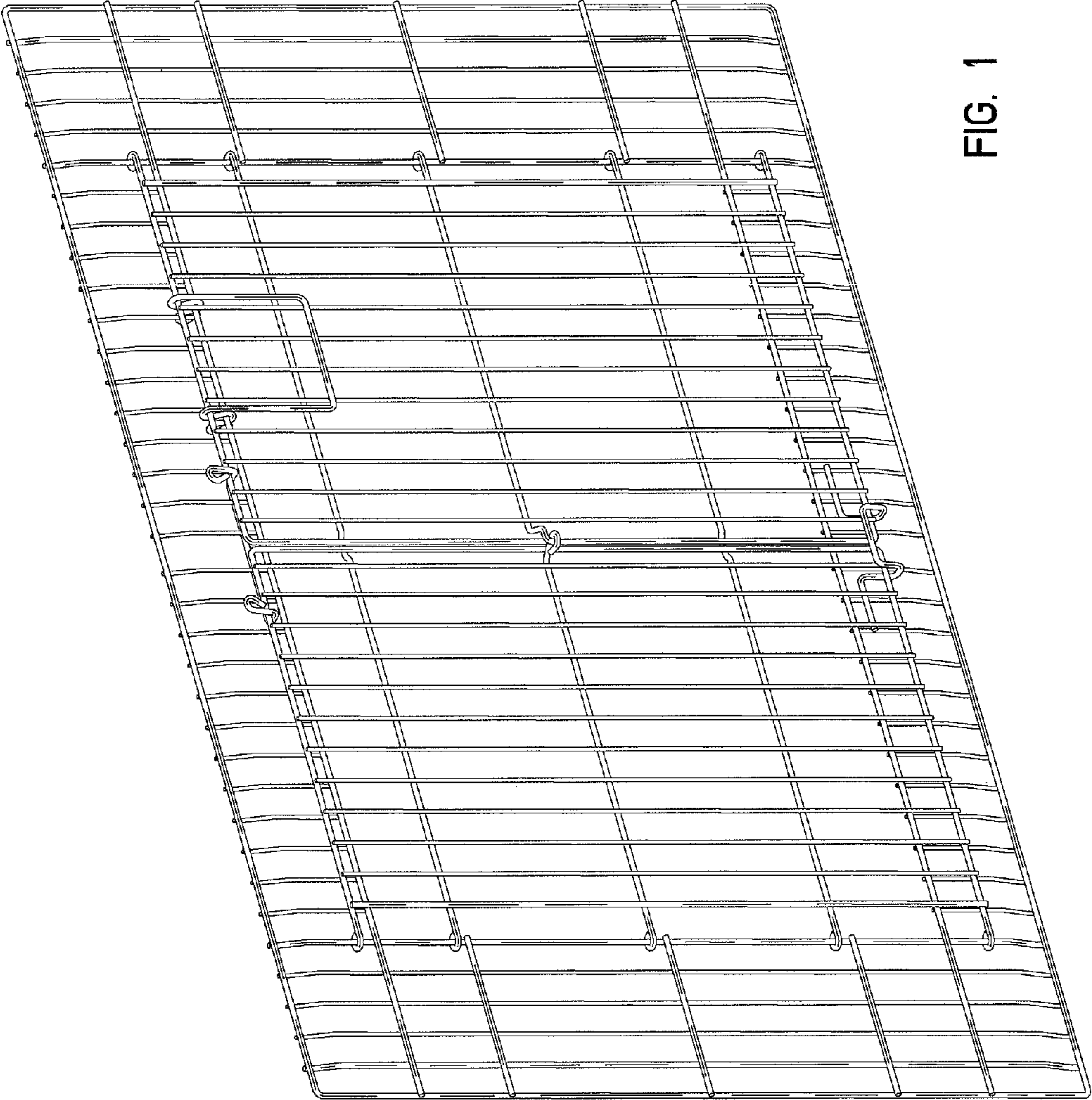


FIG. 1

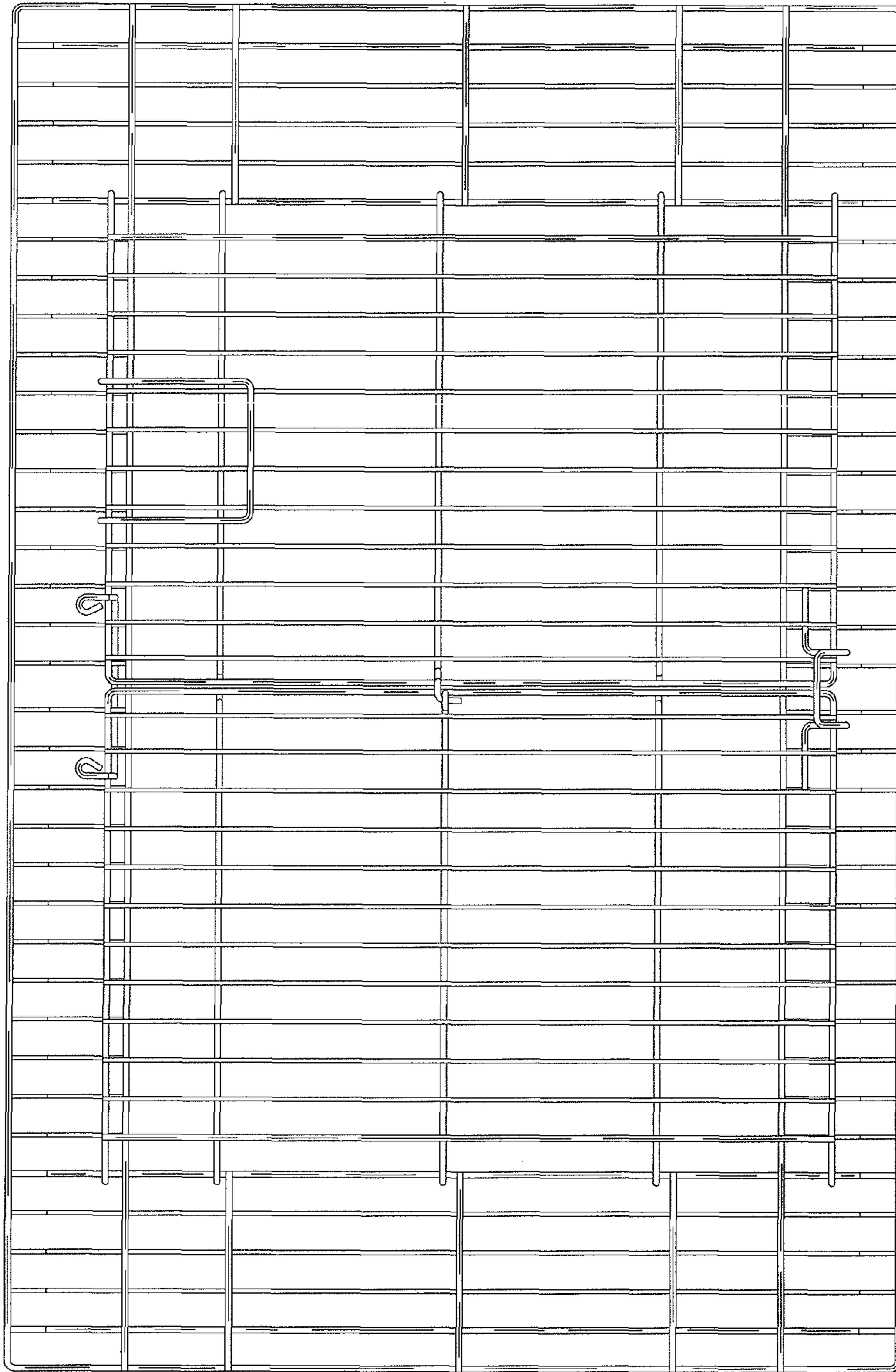


FIG. 2

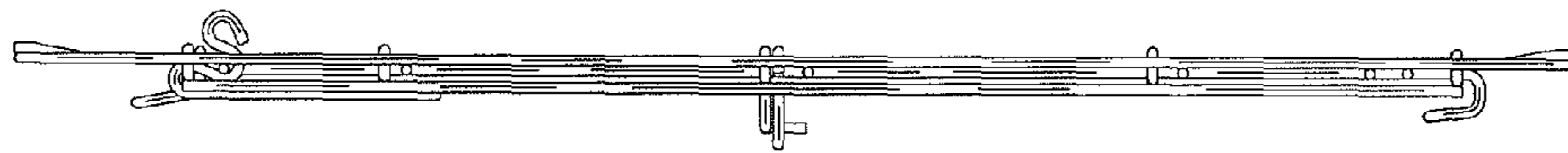


FIG. 4

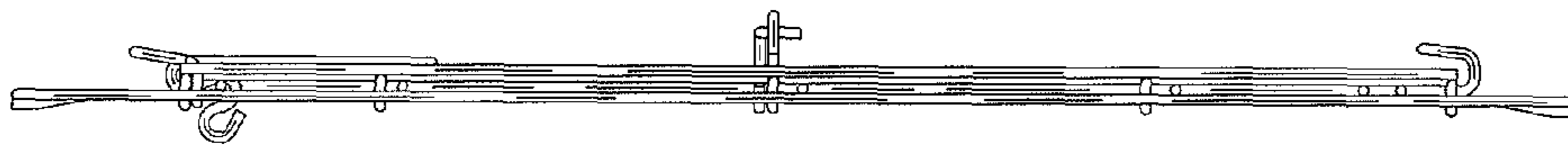


FIG. 3

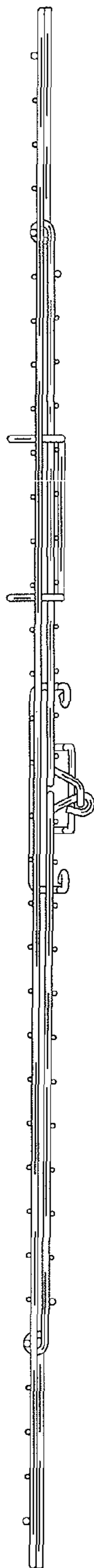


FIG. 5

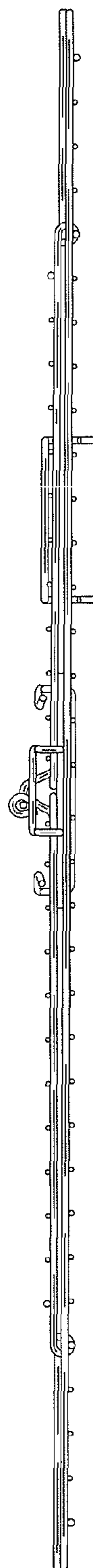


FIG. 6

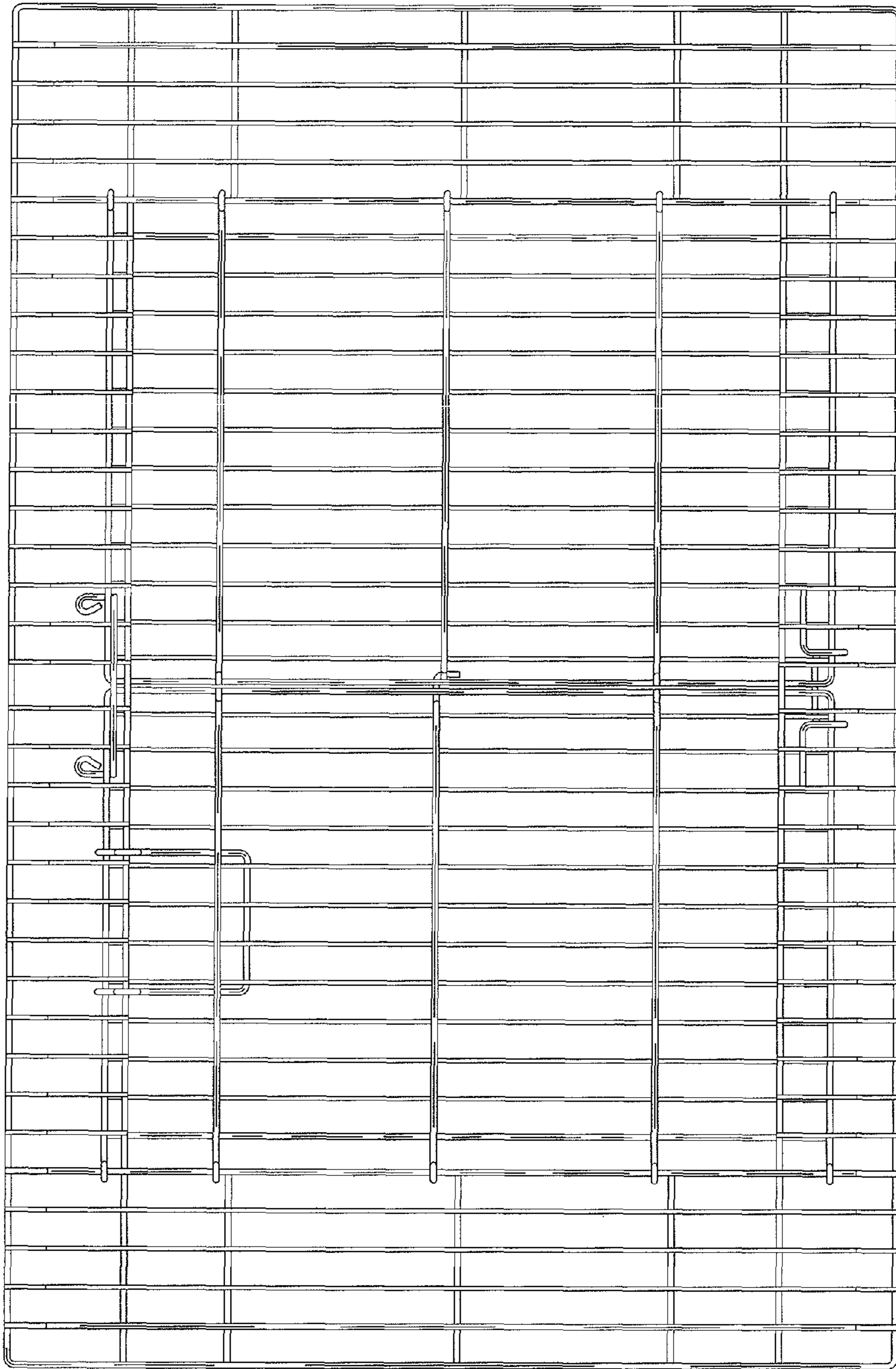


FIG. 7