



US00D739610S

(12) **United States Design Patent**
Richmond

(10) **Patent No.:** **US D739,610 S**

(45) **Date of Patent:** **** Sep. 22, 2015**

(54) **SMARTPHONE GLOVE**

(71) Applicant: **Joy Richmond**, Batavia, IL (US)

(72) Inventor: **Joy Richmond**, Batavia, IL (US)

(**) Term: **14 Years**

(21) Appl. No.: **29/454,678**

(22) Filed: **May 13, 2013**

(51) **LOC (10) Cl.** **02-06**

(52) **U.S. Cl.**
USPC **D29/117.2**

(58) **Field of Classification Search**

USPC D2/610, 614, 615, 616, 617, 618, 619,
D2/620, 621, 622, 623; D3/226; D20/33;
D21/807; D29/113, 114, 115, 116.2,
D29/117.1, 117.2, 120.1, 123; D30/158;
D32/40, 41, 42, 43; 2/161.1, 161.2,
2/161.3, 161.4, 161.5, 161.6, 161.7,
2/161.8, 167, 917; 15/227
CPC A41D 19/01523; A41D 19/01505;
A41D 19/01517; A41D 19/01547; A41D
19/01552; A41D 19/01558; A41D 19/01564;
A41D 19/01576; A41D 19/0006; A41D
19/0013; A41D 19/0017; A41D 19/002;
A41D 19/0024; A41D 19/0044; A41D 13/08;
A41D 19/0051; A41D 19/0058; A63B 71/146;
A46B 5/04; A47L 13/18

See application file for complete search history.

(56) **References Cited**

U.S. PATENT DOCUMENTS

2,555,203 A * 5/1951 Ramsey 219/211
2,700,159 A * 1/1955 Van Denburgh 2/20
3,416,158 A * 12/1968 Kulman 2/161.6
D230,913 S * 3/1974 Carter D29/113
D329,926 S * 9/1992 Winder D29/113
D335,368 S * 5/1993 Houston D29/113
5,740,554 A * 4/1998 Reed 2/158
D404,888 S * 2/1999 Arredondo, Jr. D29/113

6,393,614 B1 5/2002 Eichelbaum
6,651,854 B1 11/2003 LaCoste
D567,453 S * 4/2008 Fincher D29/117.1
D602,655 S * 10/2009 Padolina-Archibald D30/158
7,793,361 B2 9/2010 Ishihara et al.
D658,335 S * 4/2012 Felder, Sr. D29/113
8,214,925 B2 7/2012 Yu
D667,196 S * 9/2012 Jones D2/614
D675,398 S * 2/2013 Miller D2/614
8,856,966 B2 * 10/2014 Doty 2/160
2004/0190383 A1 9/2004 Marcucelli et al.
2007/0083979 A1 4/2007 Daniels
2007/0101479 A1 5/2007 Turner
2008/0060115 A1 * 3/2008 Morris 2/159
2008/0110291 A1 * 5/2008 Vitek 74/551.9
2012/0255978 A1 10/2012 Williams

OTHER PUBLICATIONS

Cool Cell Phone Gloves designed by Karl Lagerfeld. <http://www.thetechnologyblog.net/archives/cool-cell-phone-gloves-designed-by-karl-lagerfeld/gadgets> Published Aug. 28, 2009.

* cited by examiner

Primary Examiner — Karen E Eldridge Powers

(74) *Attorney, Agent, or Firm* — Robert C Montgomery;
Montgomery Patent & Design, LP

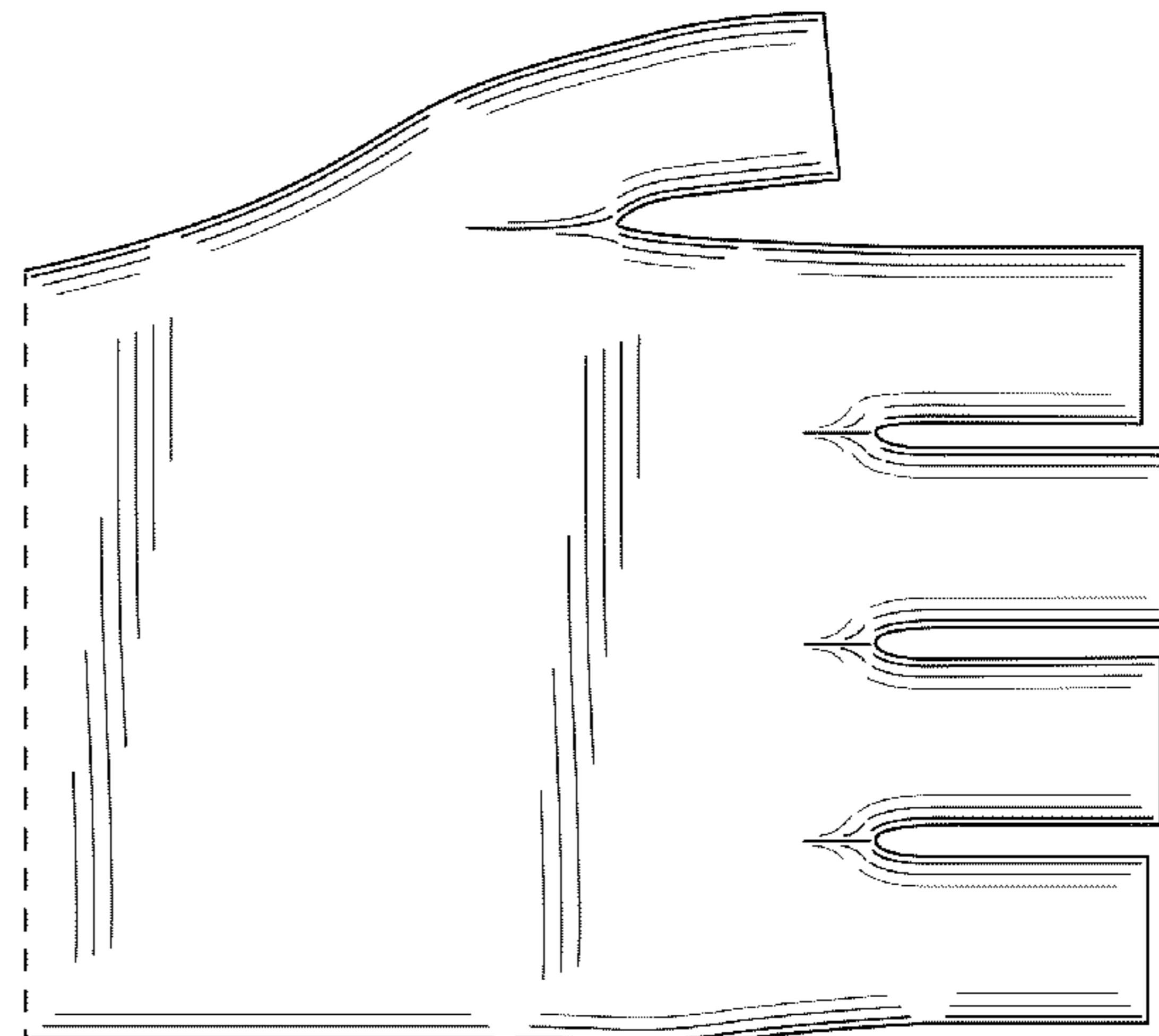
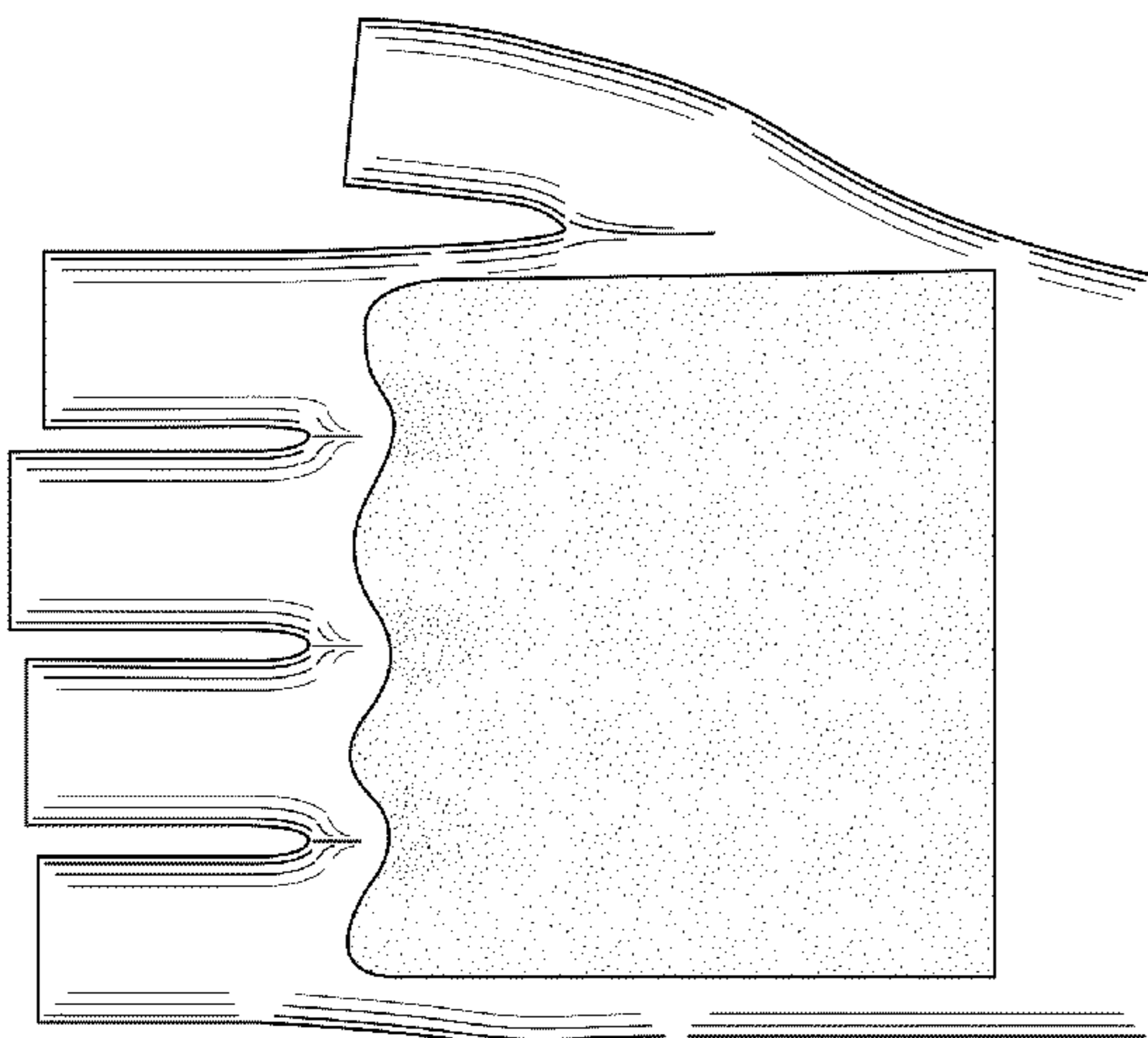
(57) **CLAIM**

The ornamental design for a smartphone glove, as shown and described.

DESCRIPTION

FIG. 1 is an isometric view of a smartphone glove;
FIG. 2 is a front elevation view thereof;
FIG. 3 is a rear elevation view thereof;
FIG. 4 is a left side elevation view thereof;
FIG. 5 is a right side elevation view thereof;
FIG. 6 is a top plan view thereof; and,
FIG. 7 is a bottom plan view thereof.
The broken lines in the drawing figures define the bounds of the claimed design and form no part thereof.

1 Claim, 5 Drawing Sheets



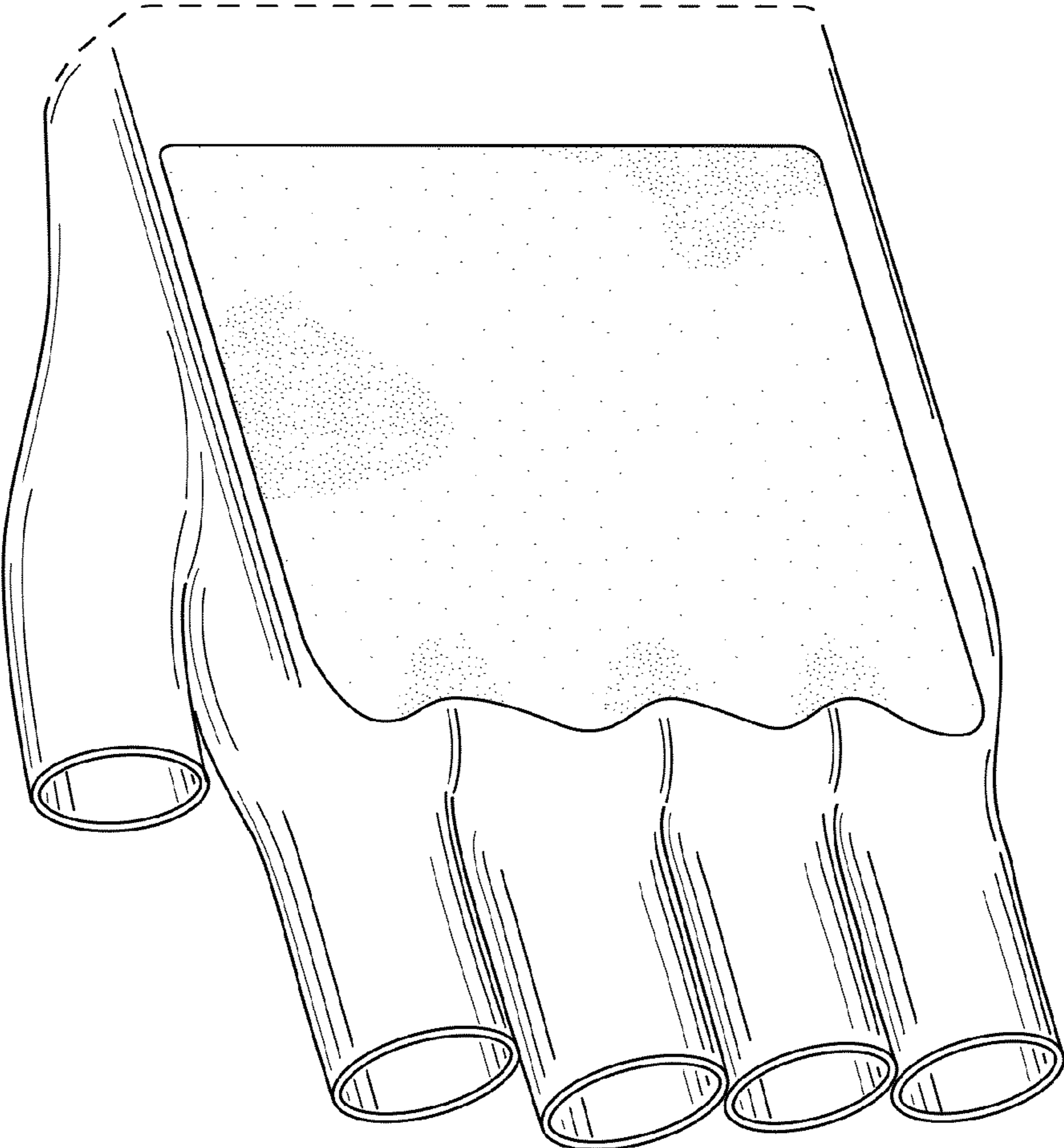


Fig. 1

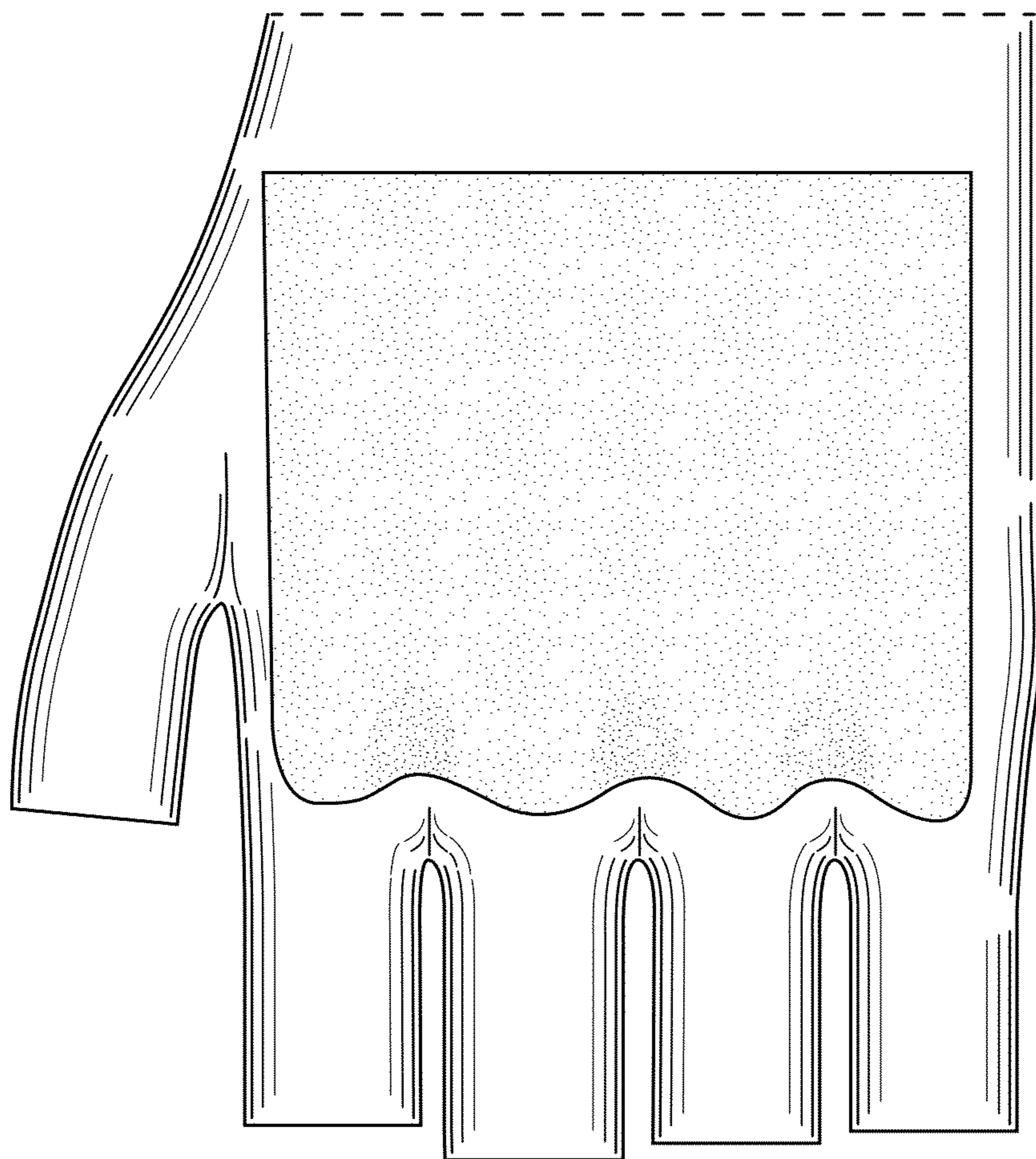


Fig. 2

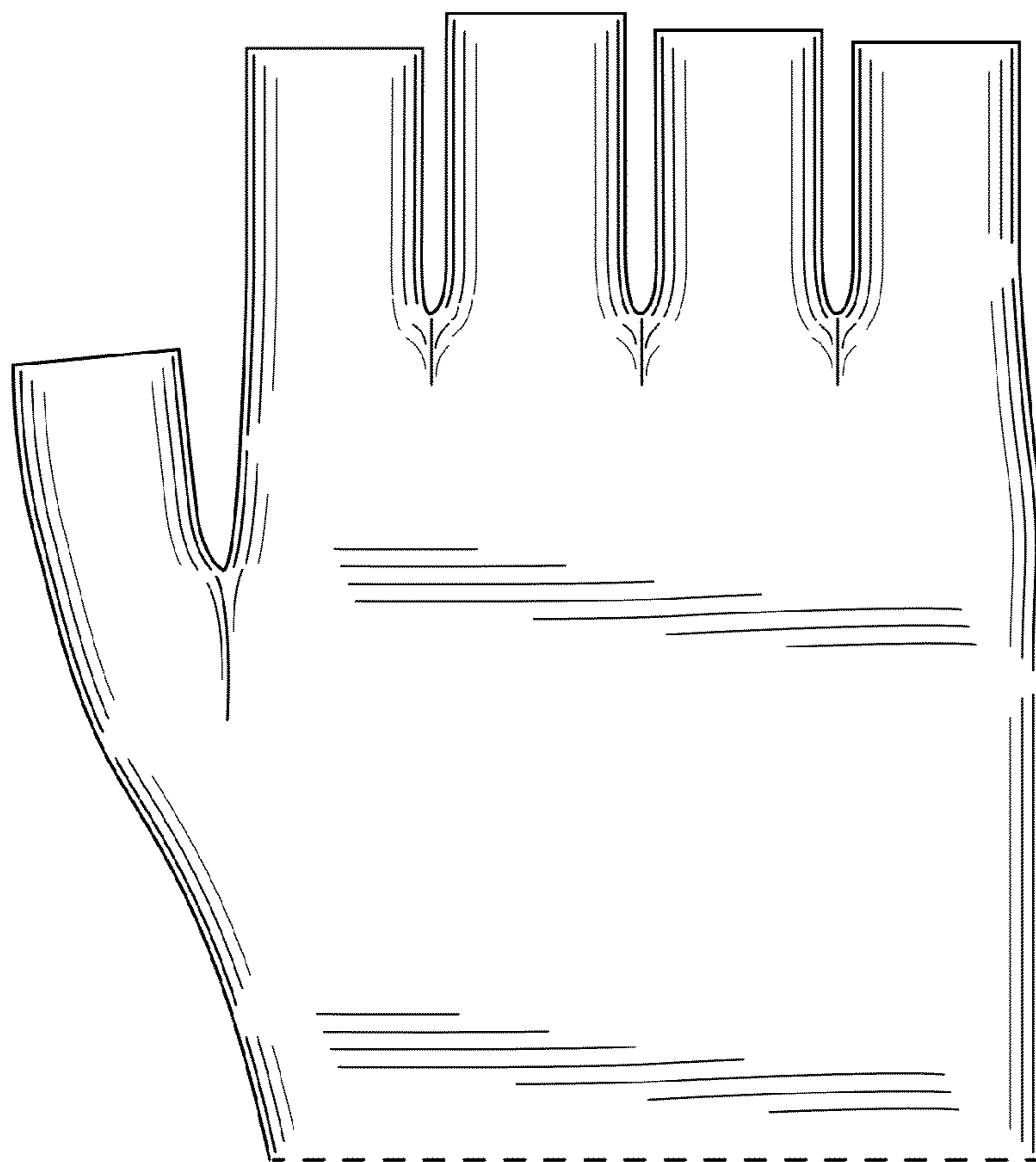


Fig. 3

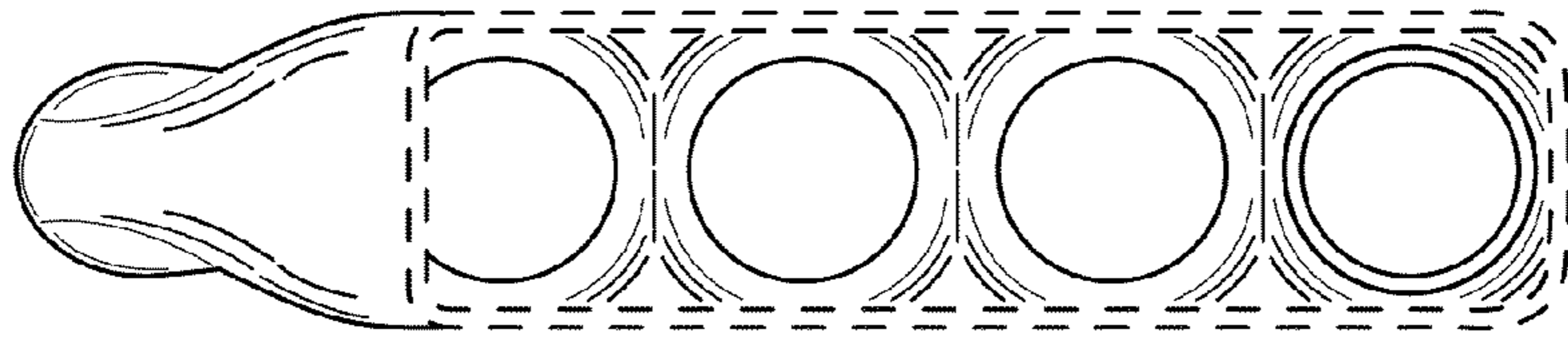


Fig. 5

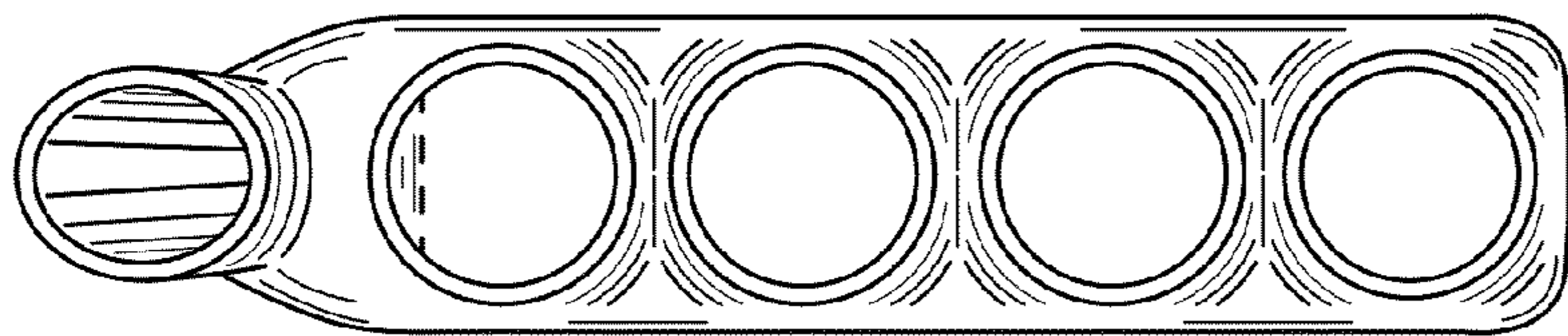


Fig. 4

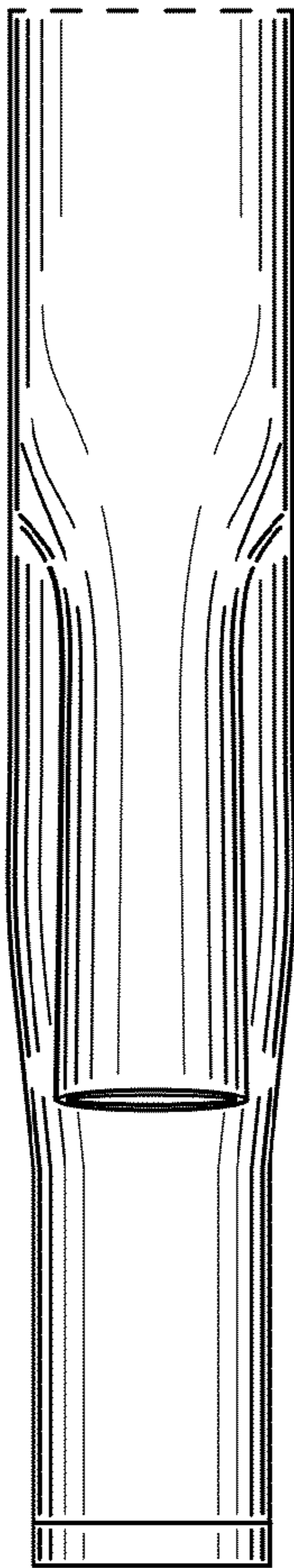


Fig. 6

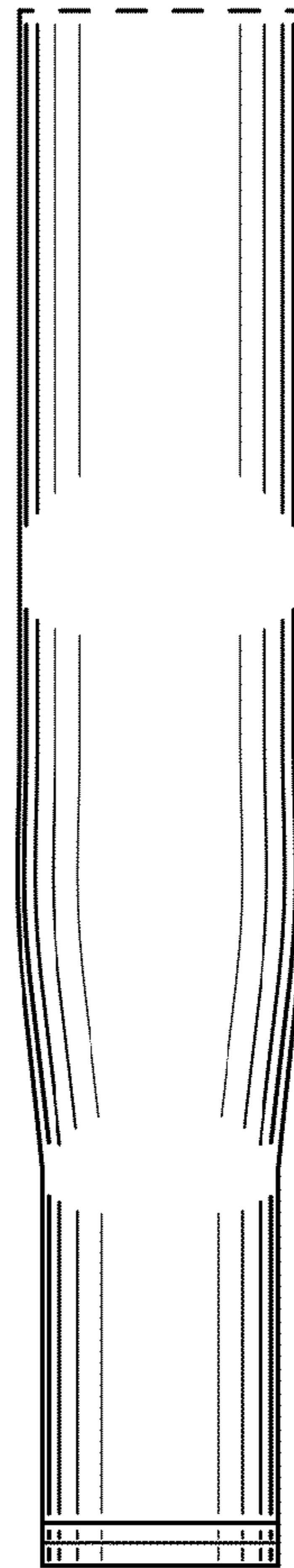


Fig. 7