



US00D739607S

(12) **United States Design Patent**  
**Golding**

(10) **Patent No.:** **US D739,607 S**

(45) **Date of Patent:** **\*\* Sep. 22, 2015**

(54) **COSMETIC CONTAINER**

(71) Applicant: **Tight Line Cosmetics, Inc.**,  
Farmingdale, NY (US)

(72) Inventor: **Jessica C. Golding**, Farmingdale, NY  
(US)

(73) Assignee: **TIGHT LINE COSMETICS, INC.**,  
Farmingdale, NY (US)

(\*\*) Term: **14 Years**

(21) Appl. No.: **29/497,711**

(22) Filed: **Jul. 28, 2014**

(51) **LOC (10) Cl.** ..... **28-03**

(52) **U.S. Cl.**  
USPC ..... **D28/76**

(58) **Field of Classification Search**  
USPC ..... D28/76-77, 85-90; D9/529, 566, 553,  
D9/503-505; D19/159, 161, 162, 163,  
D19/178-186, 115-120  
CPC ... A45D 40/26; A45D 40/261; A45D 40/262;  
A45D 40/264; A45D 40/265; A45D 40/267;  
A45D 40/268; A45D 40/24; A45D 40/18;  
A45D 34/06

See application file for complete search history.

(56) **References Cited**

U.S. PATENT DOCUMENTS

2,590,329 A \* 3/1952 Kromray ..... 401/124  
D254,151 S \* 2/1980 Wolff ..... D28/77  
D436,232 S \* 1/2001 Denham et al. .... D28/76  
D440,015 S \* 4/2001 Lerolle ..... D28/76

D507,680 S \* 7/2005 Py et al. .... D28/88  
D524,488 S \* 7/2006 Bouix et al. .... D28/76  
D705,993 S \* 5/2014 Goswell ..... D28/76  
2006/0130868 A1 \* 6/2006 Noel ..... 132/294

\* cited by examiner

*Primary Examiner* — Jennifer Rivard

(74) *Attorney, Agent, or Firm* — Dilworth & Barrese, LLP.

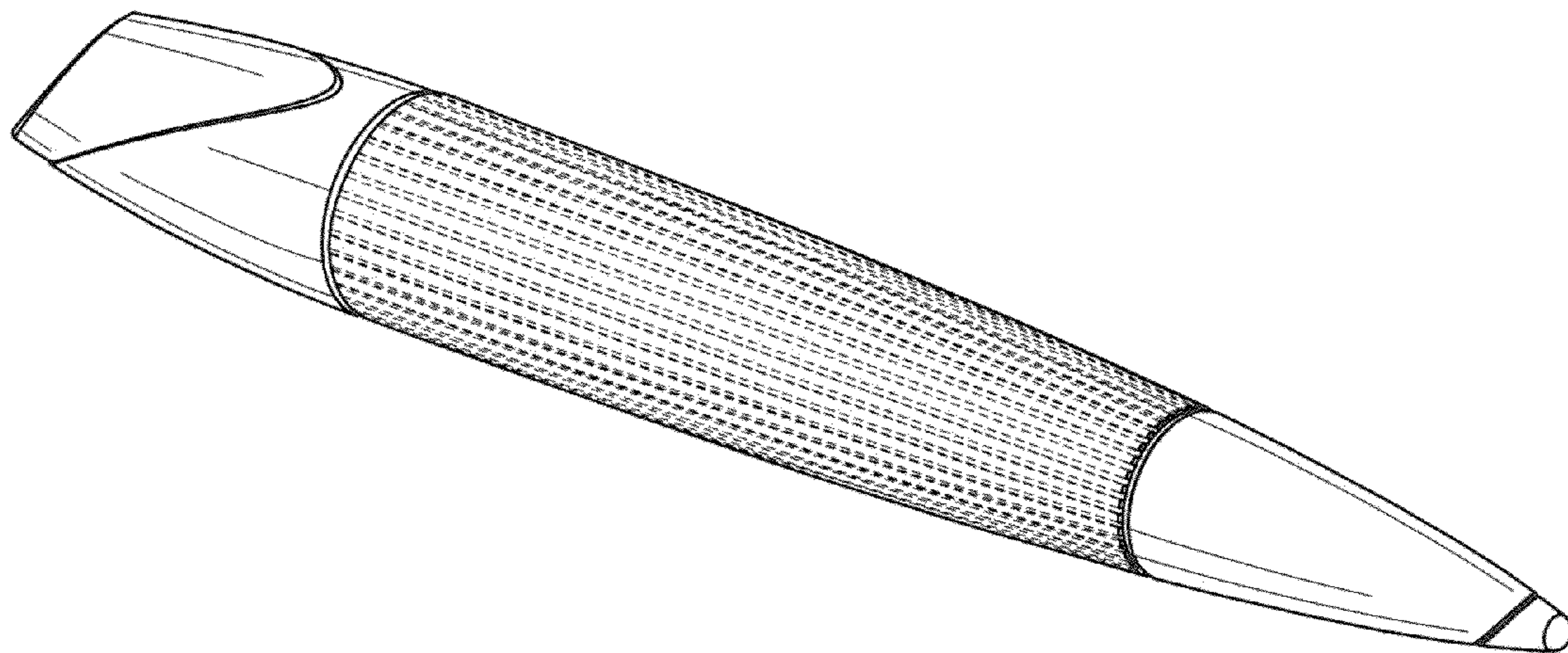
(57) **CLAIM**

The ornamental design for a cosmetic container, as shown and described.

**DESCRIPTION**

FIG. 1 is a perspective view of the cosmetic container showing my new design;  
FIG. 2 is a front elevation view of the cosmetic container of FIG. 1;  
FIG. 3 is a rear elevation view of the cosmetic container of FIG. 1;  
FIG. 4 is a left side elevation view of the cosmetic container of FIG. 1;  
FIG. 5 is a right side elevation view of the cosmetic container of FIG. 1;  
FIG. 6 is a bottom plan view of the cosmetic container of FIG. 1;  
FIG. 7 is a top plan view of the cosmetic container of FIG. 1; and,  
FIG. 8 is an exploded perspective view of the cosmetic container of FIG. 1.  
The pattern along the central exterior portion of the container forms part of the claimed design. The broken lines shown in FIG. 8 illustrate portions of the cosmetic container and form no part of the claimed design.

**1 Claim, 5 Drawing Sheets**



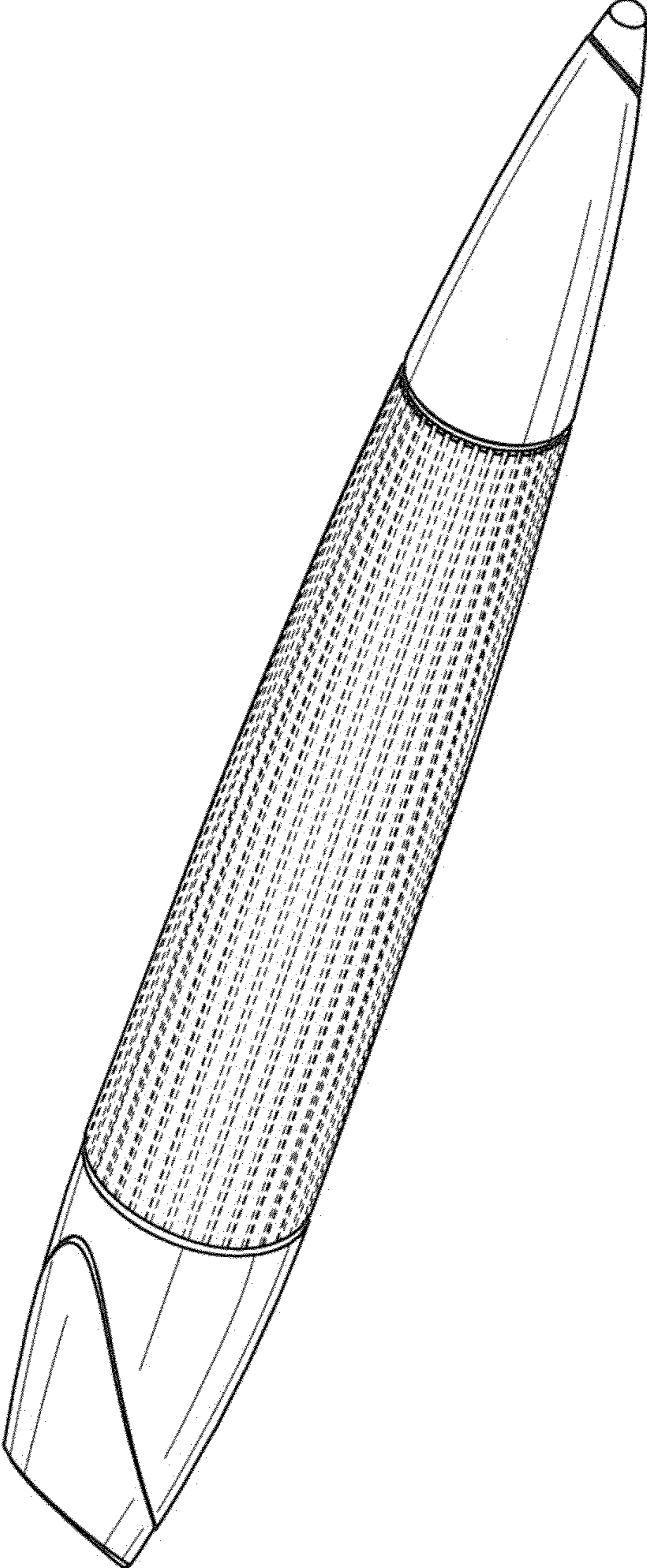


FIG. 1



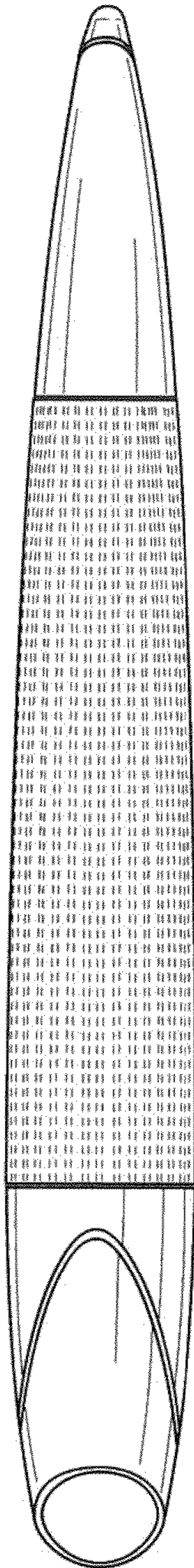


FIG. 2

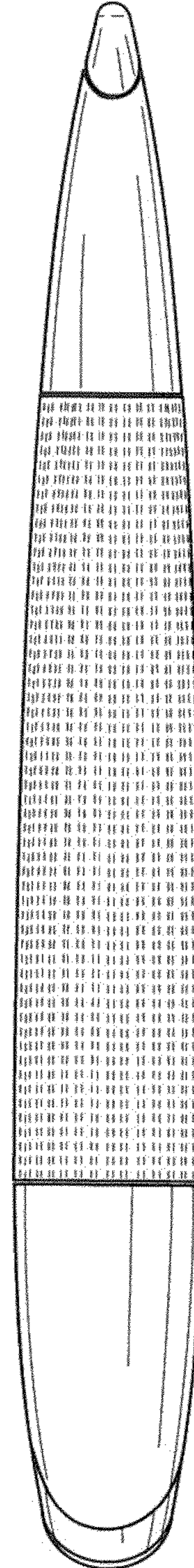


FIG. 3

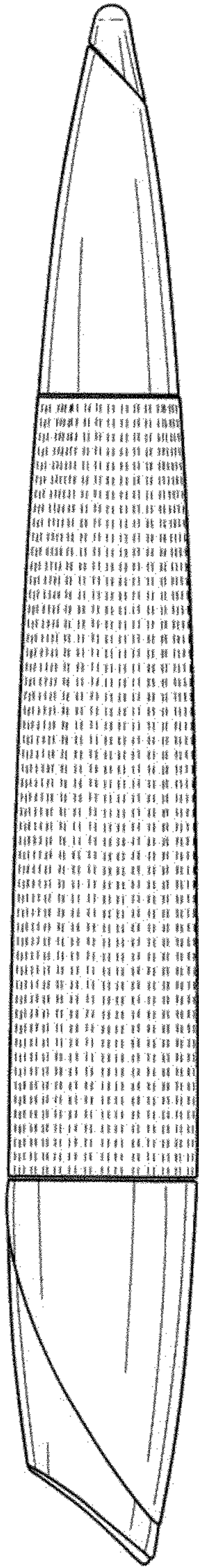


FIG. 4

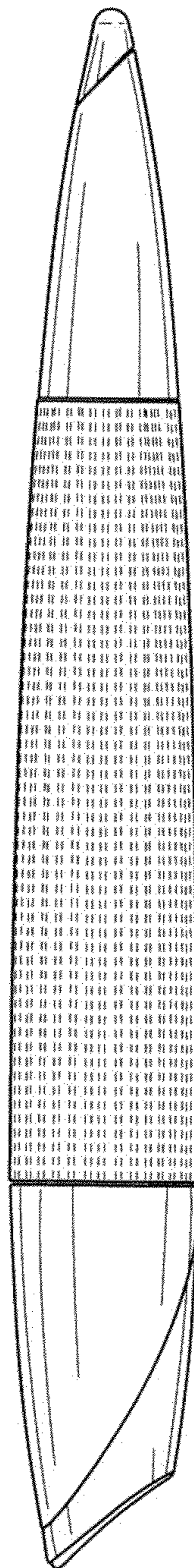


FIG. 5

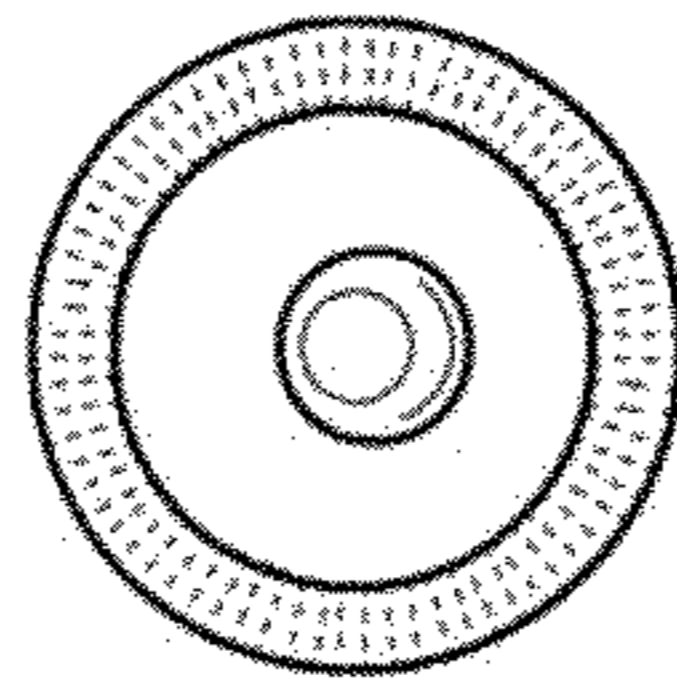


FIG. 7

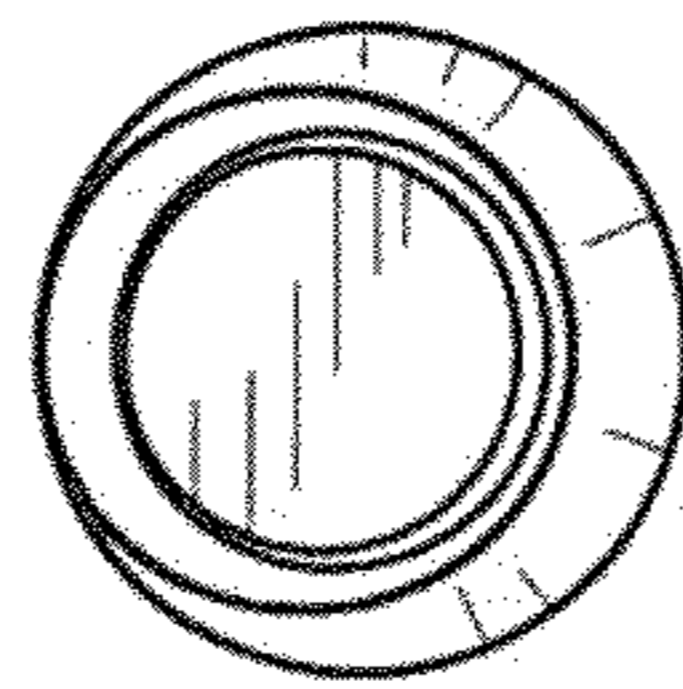


FIG. 6



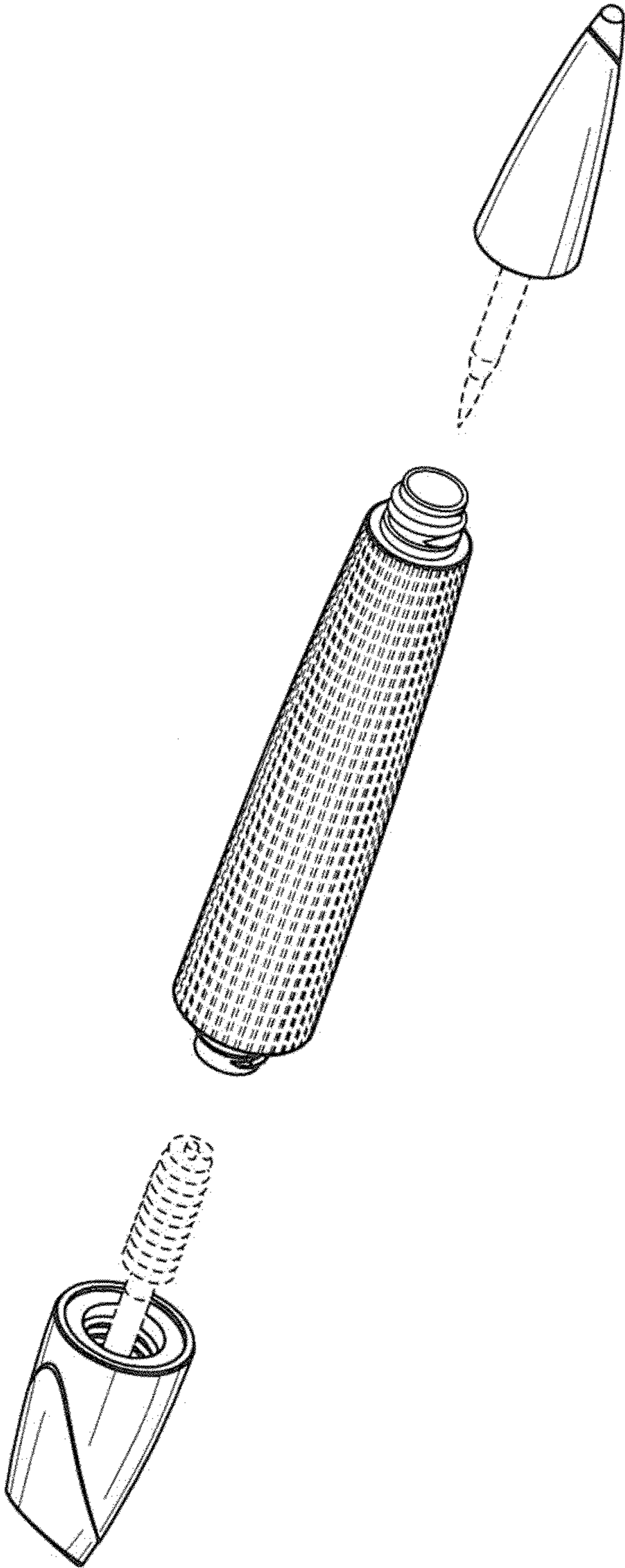


FIG. 8