



US00D739605S

(12) **United States Design Patent**
Christie et al.

(10) **Patent No.:** **US D739,605 S**
(45) **Date of Patent:** **** Sep. 22, 2015**

(54) **RAZOR HANDLE**

(71) Applicant: **The Gillette Company**, Boston, MA (US)

(72) Inventors: **Vanessa Christie**, Boston, MA (US);
Alexander Stephen Forti, Dedham, MA (US)

(73) Assignee: **The Gillette Company**, Boston, MA (US)

(**) Term: **14 Years**

(21) Appl. No.: **29/482,431**

(22) Filed: **Feb. 18, 2014**

Related U.S. Application Data

(62) Division of application No. 29/458,336, filed on Jun. 18, 2013, now Pat. No. Des. 703,377.

(51) **LOC (10) Cl.** **28-03**

(52) **U.S. Cl.**
USPC **D28/48**

(58) **Field of Classification Search**
USPC D28/44-48
CPC B62B 21/00-21/12; B62B 21/14;
B62B 21/16; B62B 21/165; B62B 21/18;
B62B 21/185; B62B 21/20-21/227; B62B
21/24; B62B 21/28; B62B 21/30; B62B
21/32; B62B 21/40; B62B 21/4062; B62B
21/4068; B62B 21/4075; B62B 21/52-21/528
See application file for complete search history.

(56) **References Cited**

U.S. PATENT DOCUMENTS

D396,129 S 7/1998 Gray
D587,846 S 3/2009 Wonderley et al.

D599,955 S	9/2009	Provost	
D603,560 S	11/2009	Micinillio	
D618,852 S	6/2010	Christie et al.	
D624,699 S	9/2010	Micinillio	
D627,929 S	11/2010	Haba	
D634,894 S	3/2011	Cataudella	
D635,716 S	4/2011	Rhoad	
D636,937 S	4/2011	Furuta	
D661,020 S	5/2012	Wain et al.	
D662,664 S	6/2012	Hasegawa	
D664,715 S	7/2012	Wain et al.	
8,273,205 B2	9/2012	Murgida	
8,640,342 B2 *	2/2014	Murgida	30/50
D703,377 S *	4/2014	Christie et al.	D28/48
2014/0360021 A1 *	12/2014	Sonnenberg et al.	30/41

* cited by examiner

Primary Examiner — Jennifer Rivard

(74) *Attorney, Agent, or Firm* — Joanne N. Pappas; Kevin C. Johnson; Steven W. Miller

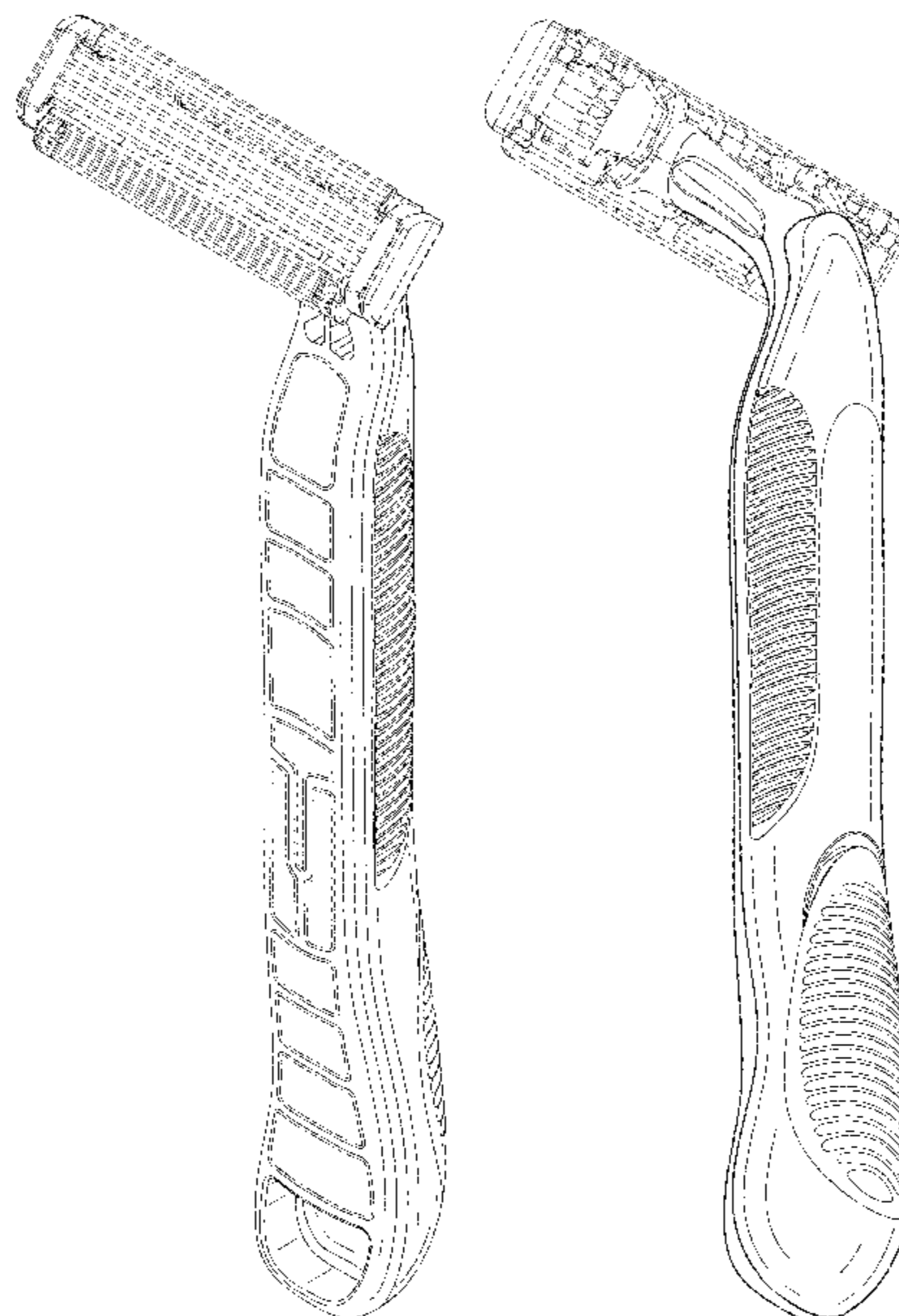
(57) **CLAIM**

The ornamental design for a razor handle, as shown and described.

DESCRIPTION

FIG. 1 is a perspective view of a design for a razor handle of the present invention;
FIG. 2 is a front view thereof;
FIG. 3 is a back view thereof;
FIG. 4 is a top view thereof;
FIG. 5 is a bottom view thereof;
FIG. 6 is a left side view thereof;
FIG. 7 is a right side view thereof; and,
FIG. 8 is another perspective view thereof.
The dash dot dash broken lines represent the bounds of the claim. The remaining broken lines illustrate the environment. None of the broken lines forms part of the claimed design.

1 Claim, 5 Drawing Sheets



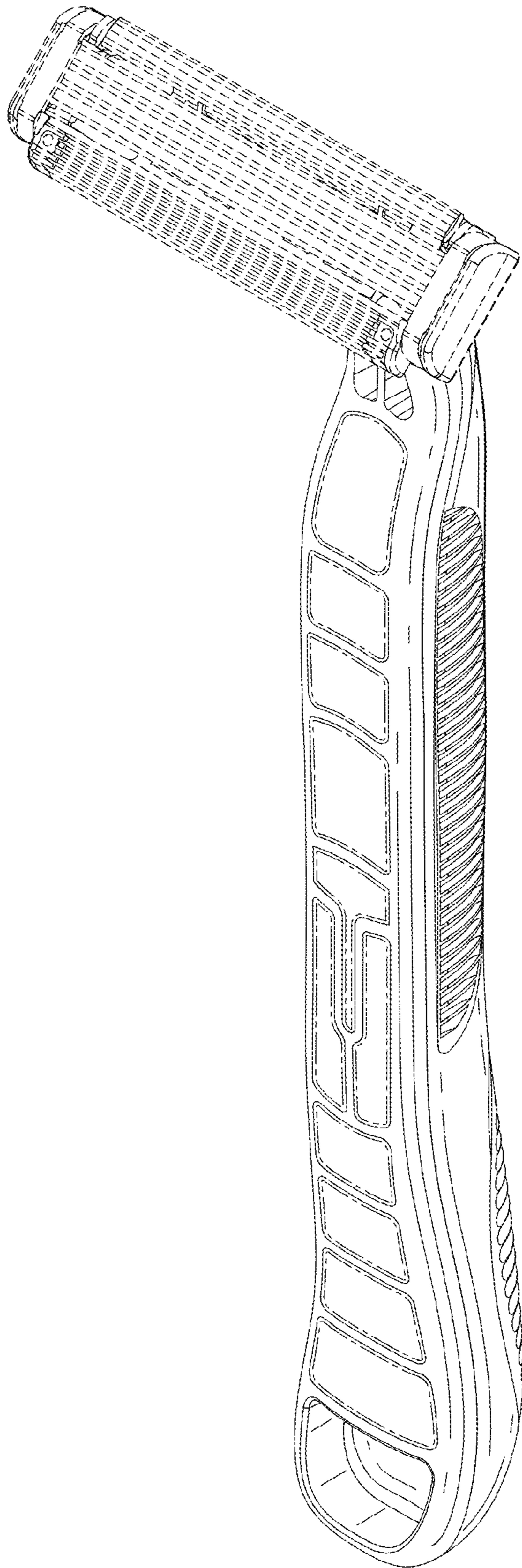


FIG. 1

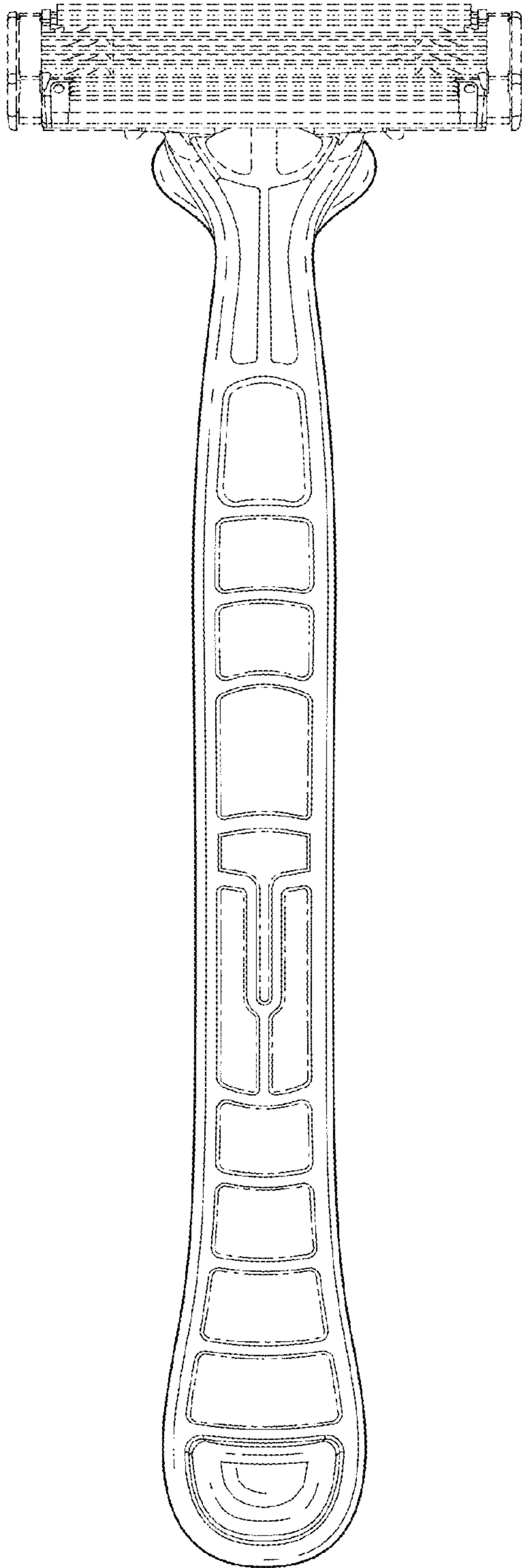


FIG. 2

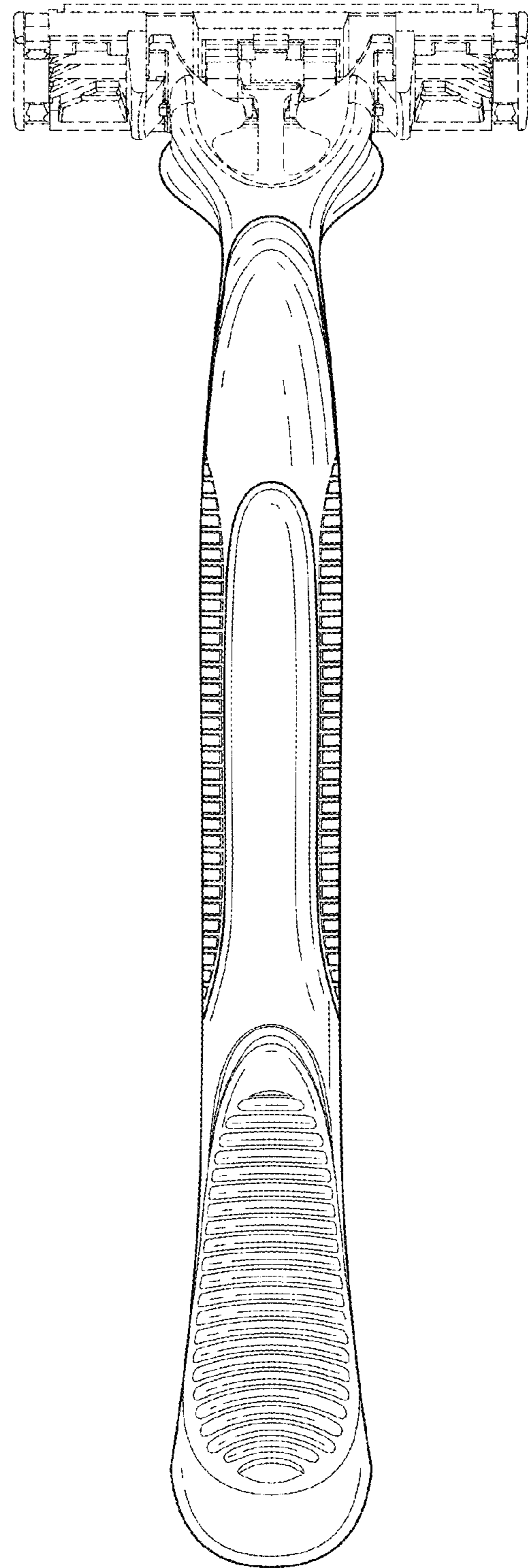


FIG. 3

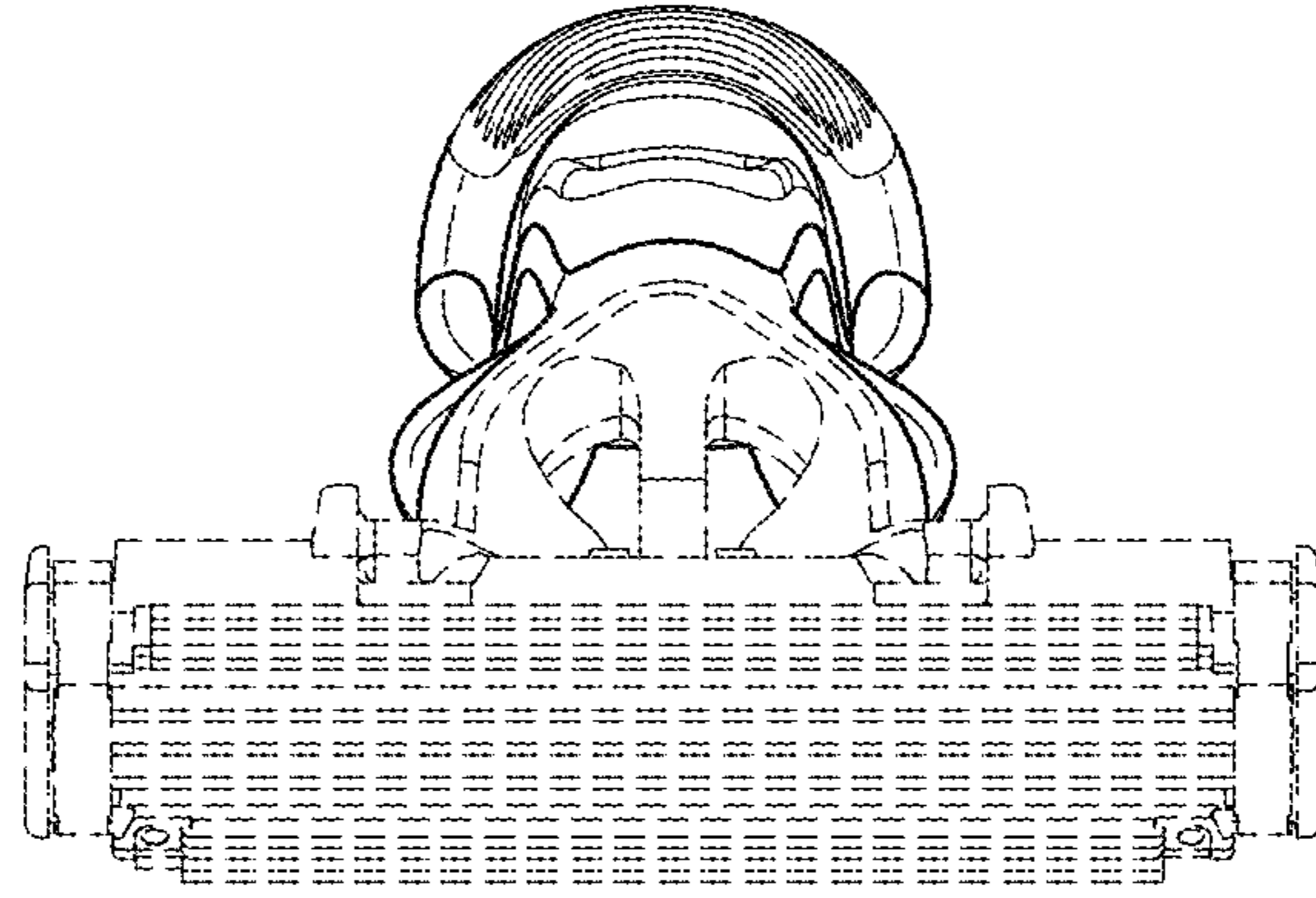


FIG. 4

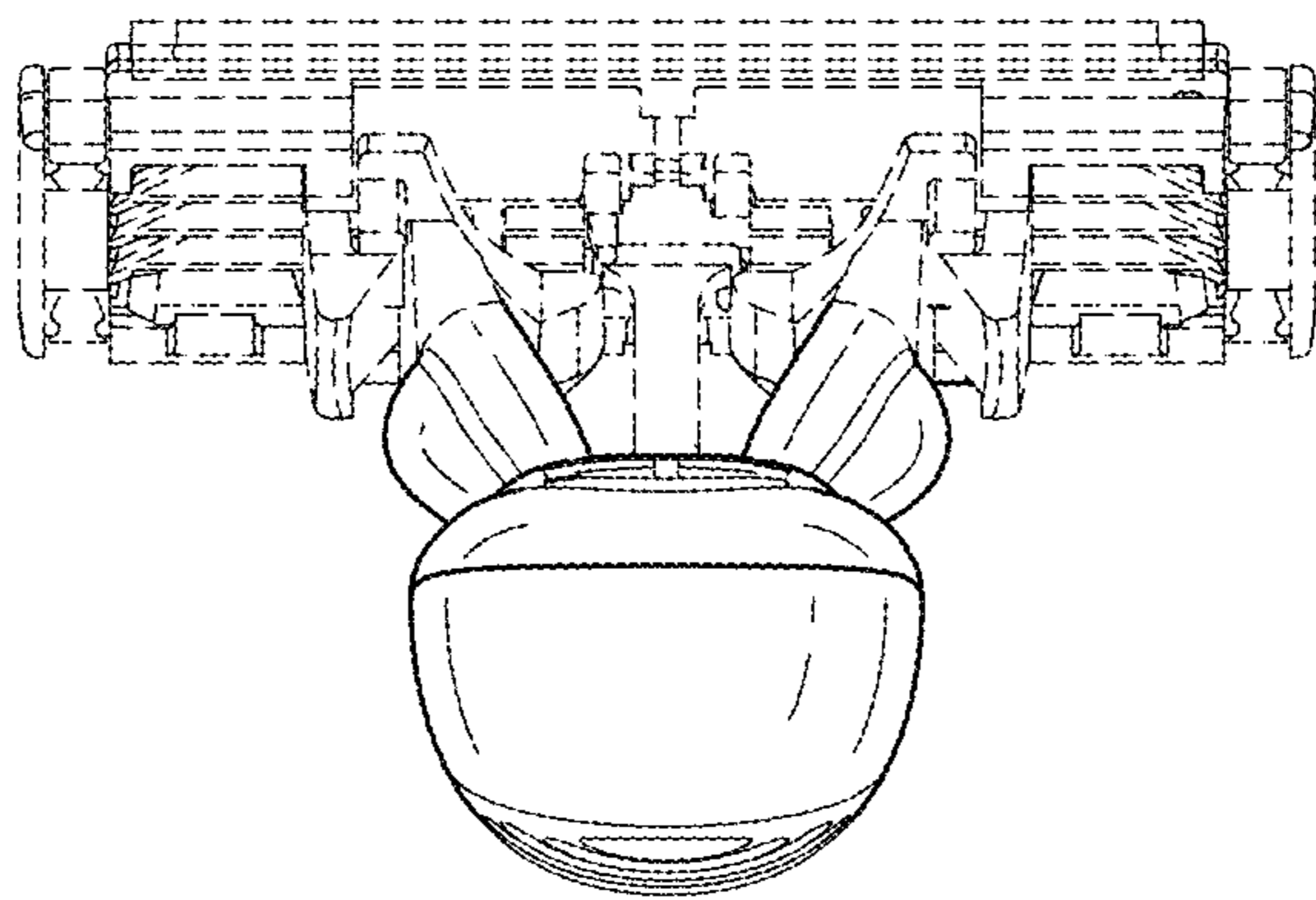


FIG. 5

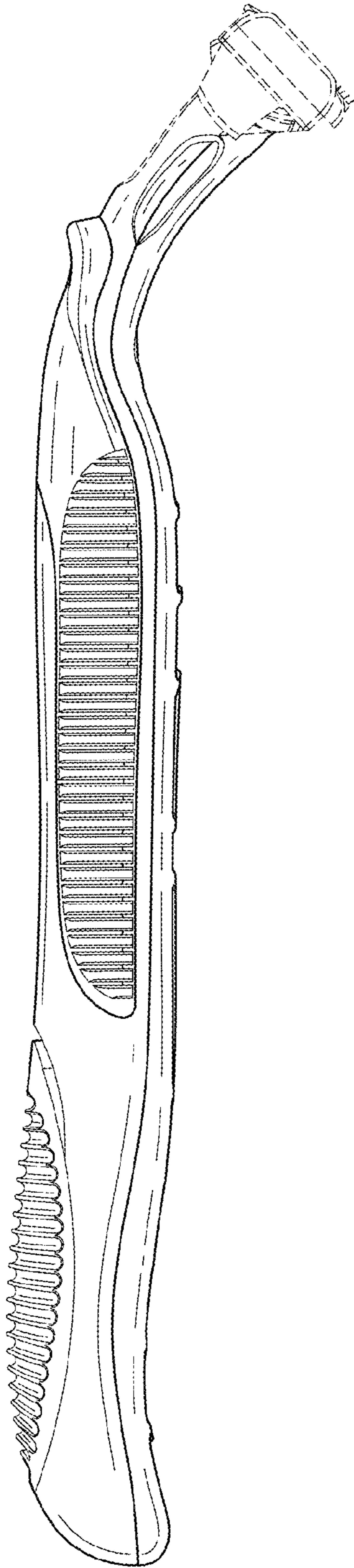


FIG. 6

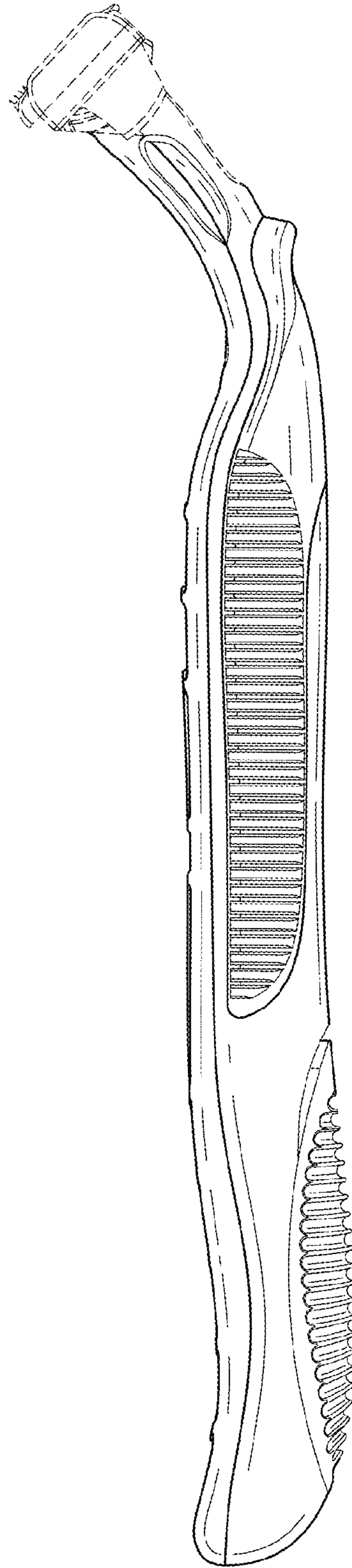


FIG. 7

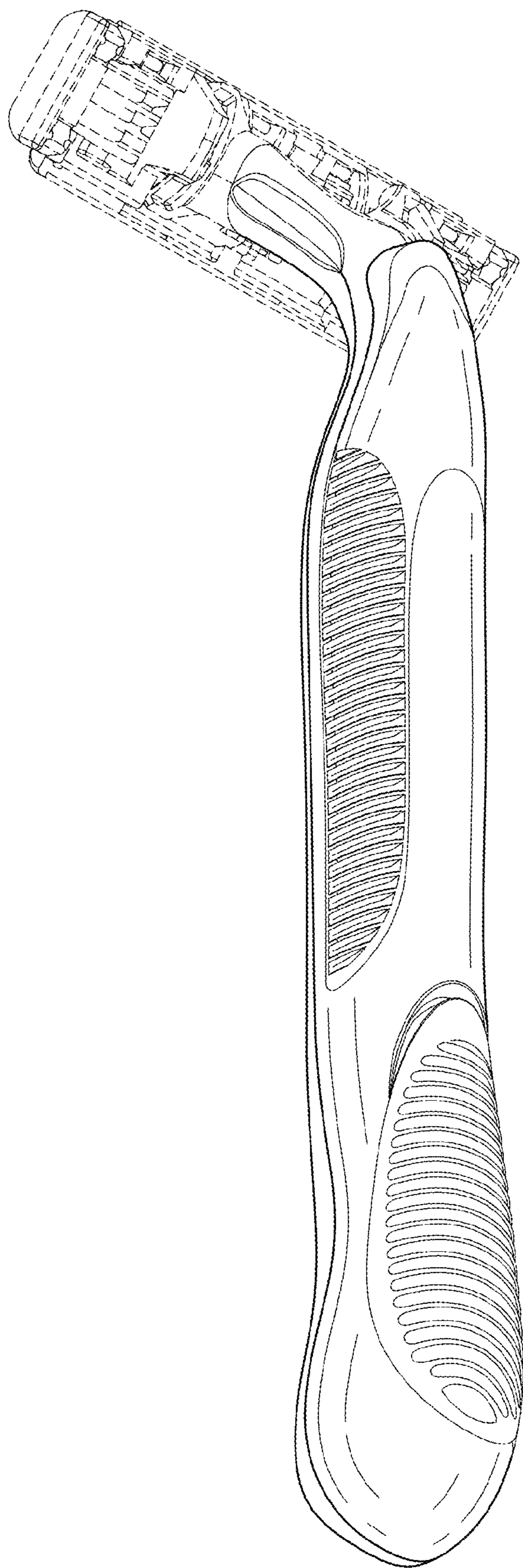


FIG. 8