

US00D739604S

(12) **United States Design Patent**  
**Christie et al.**

(10) **Patent No.:** **US D739,604 S**

(45) **Date of Patent:** **\*\* Sep. 22, 2015**

(54) **RAZOR HANDLE**

(71) Applicant: **The Gillette Company**, Boston, MA (US)

(72) Inventors: **Vanessa Christie**, Boston, MA (US); **Alexander Stephen Forti**, Dedham, MA (US); **Robert Hutton, IV**, Providence, RI (US); **Brett Harrison Newman**, Providence, RI (US); **Ayako Takase**, Providence, RI (US)

(73) Assignee: **The Gillette Company**, Boston, MA (US)

(\*\*) Term: **14 Years**

(21) Appl. No.: **29/458,339**

(22) Filed: **Jun. 18, 2013**

(51) **LOC (10) Cl.** ..... **28-03**

(52) **U.S. Cl.**  
USPC ..... **D28/48**

(58) **Field of Classification Search**  
USPC ..... D28/44-48  
CPC ..... B26B 21/00-21/12; B26B 21/14;  
B26B 21/16; B26B 21/18; B26B  
21/20-21/227; B26B 21/4062; B26B 21/4068;  
B26B 21/4075; B26B 21/52-21/528  
See application file for complete search history.

(56) **References Cited**

**U.S. PATENT DOCUMENTS**

D478,687 S 8/2003 Provost  
D533,964 S \* 12/2006 Ham ..... D28/48

D618,852 S \* 6/2010 Christie et al. .... D28/47  
D624,699 S \* 9/2010 Micinilio ..... D28/46  
D640,414 S \* 6/2011 Wonderley et al. .... D28/46  
D664,715 S \* 7/2012 Wain et al. .... D28/48  
8,273,205 B2 \* 9/2012 Murgida ..... 30/34.2  
D674,547 S \* 1/2013 Barrow et al. .... D28/46  
8,640,342 B2 \* 2/2014 Murgida ..... 30/50  
D703,377 S \* 4/2014 Christie et al. .... D28/48  
2014/0096402 A1 \* 4/2014 Nakasuka et al. .... 30/531  
2014/0360021 A1 \* 12/2014 Sonnenberg et al. .... 30/41

\* cited by examiner

*Primary Examiner* — Jennifer Rivard

(74) *Attorney, Agent, or Firm* — Joanne N. Pappas; Kevin C. Johnson; Steven W. Miller

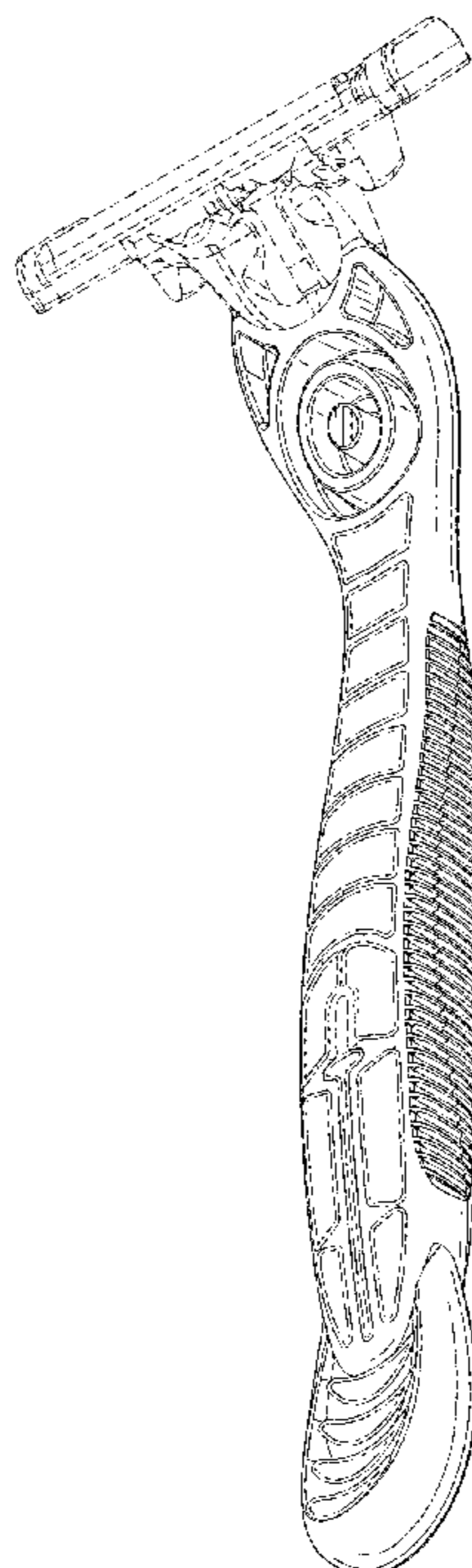
(57) **CLAIM**

The ornamental design for a razor handle, as shown and described.

**DESCRIPTION**

FIG. 1 is a perspective view of a design for a razor handle of the present invention;  
FIG. 2 is a front view thereof;  
FIG. 3 is a back view thereof;  
FIG. 4 is a left side view thereof;  
FIG. 5 is a right side view thereof;  
FIG. 6 is a top view thereof;  
FIG. 7 is a bottom view thereof; and,  
FIG. 8 is another perspective view thereof.  
The dash-dot-dash broken lines illustrate the bounds the claim. The remaining broken lines illustrate the environment. None of the broken lines forms part of the claimed design.

**1 Claim, 5 Drawing Sheets**



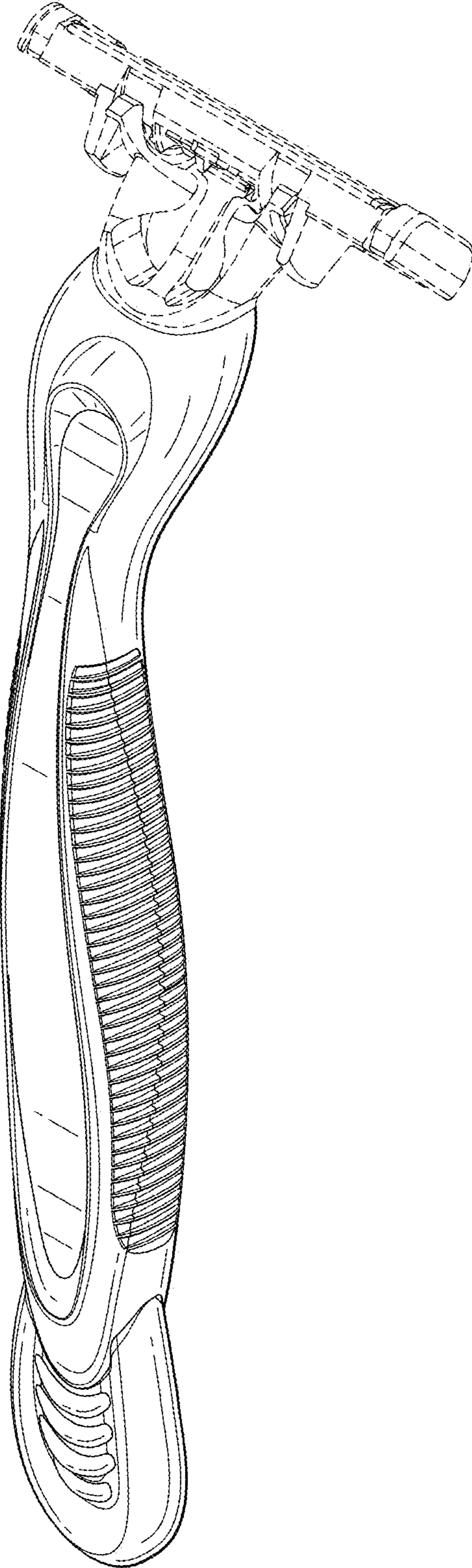


FIG. 1

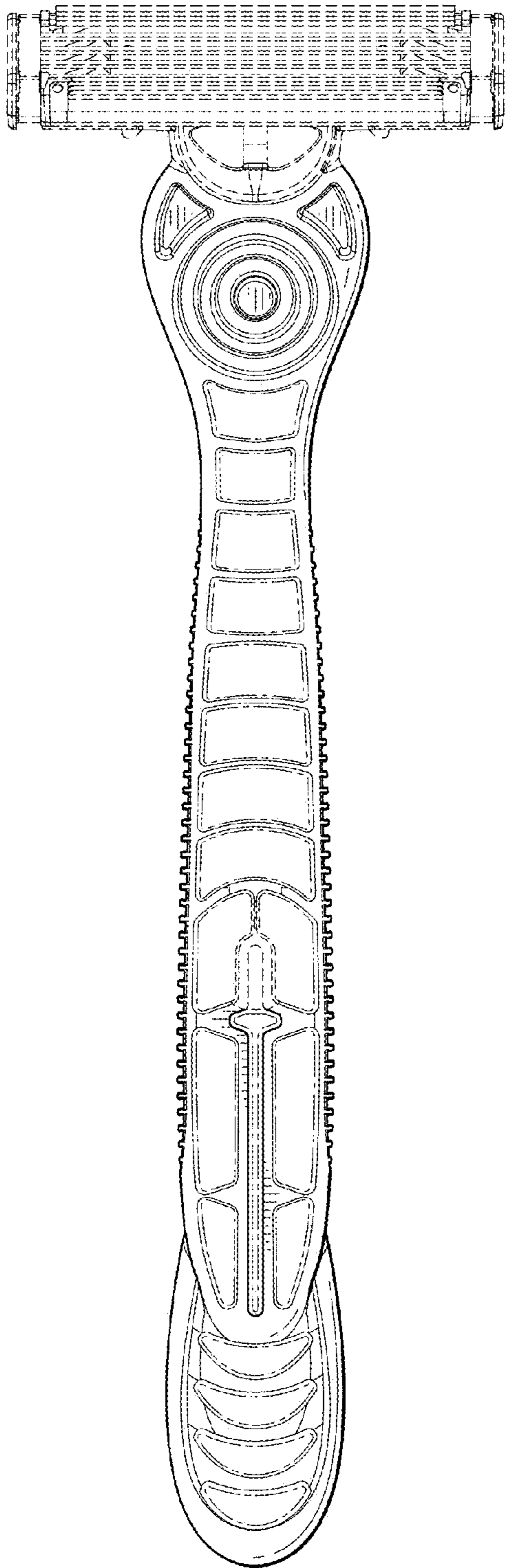


FIG. 2

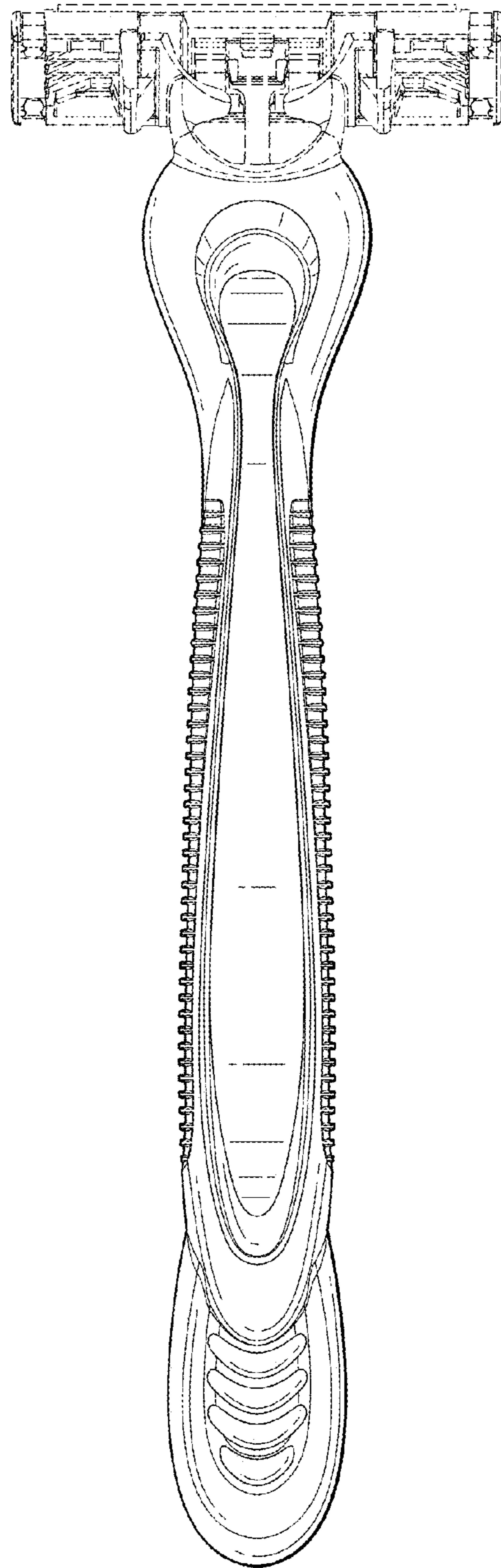


FIG. 3

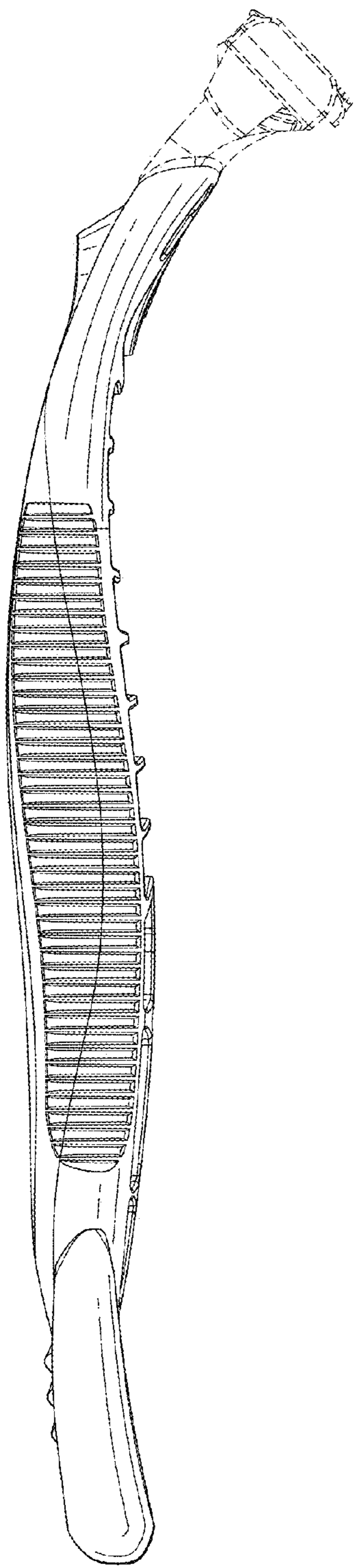


FIG. 4

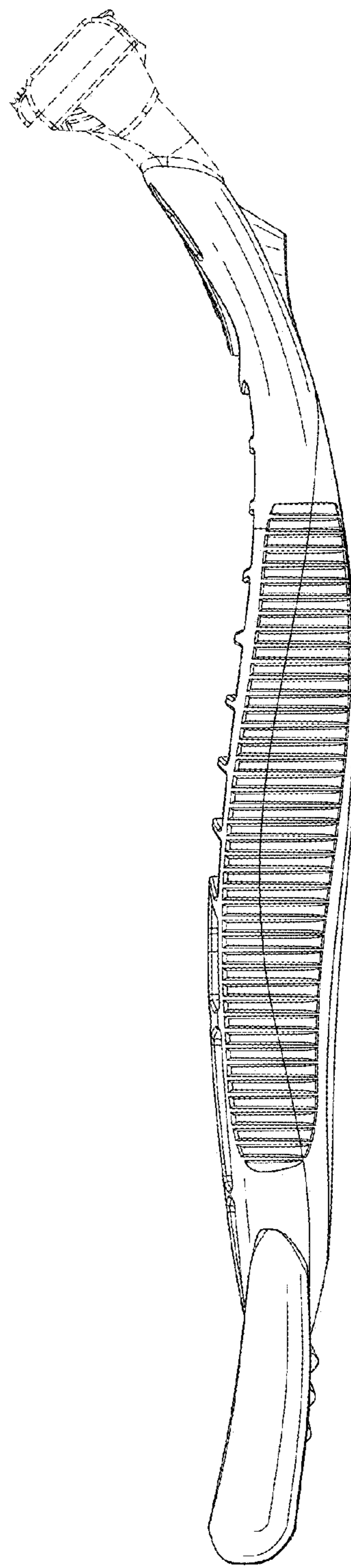


FIG. 5

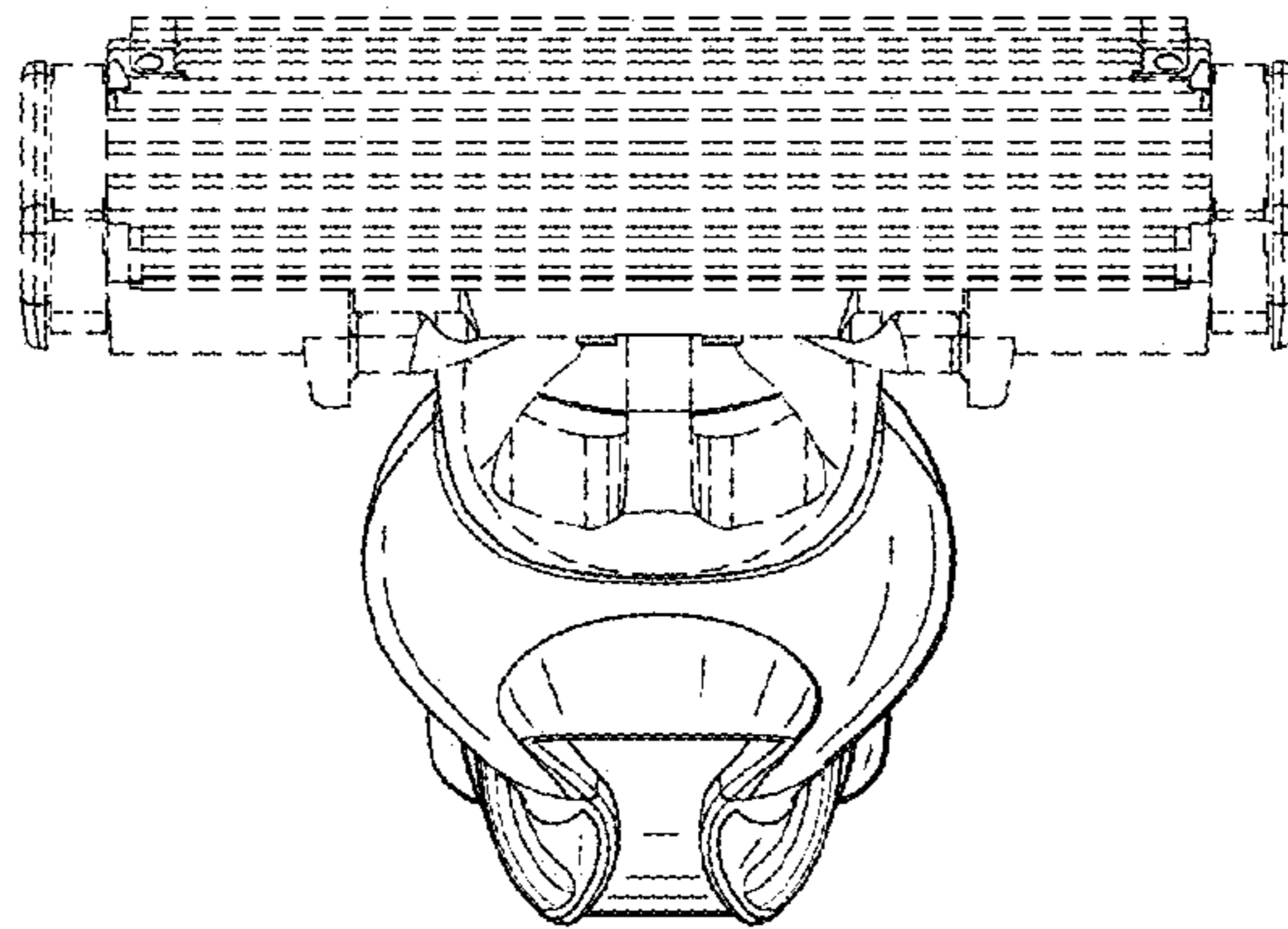


FIG. 6

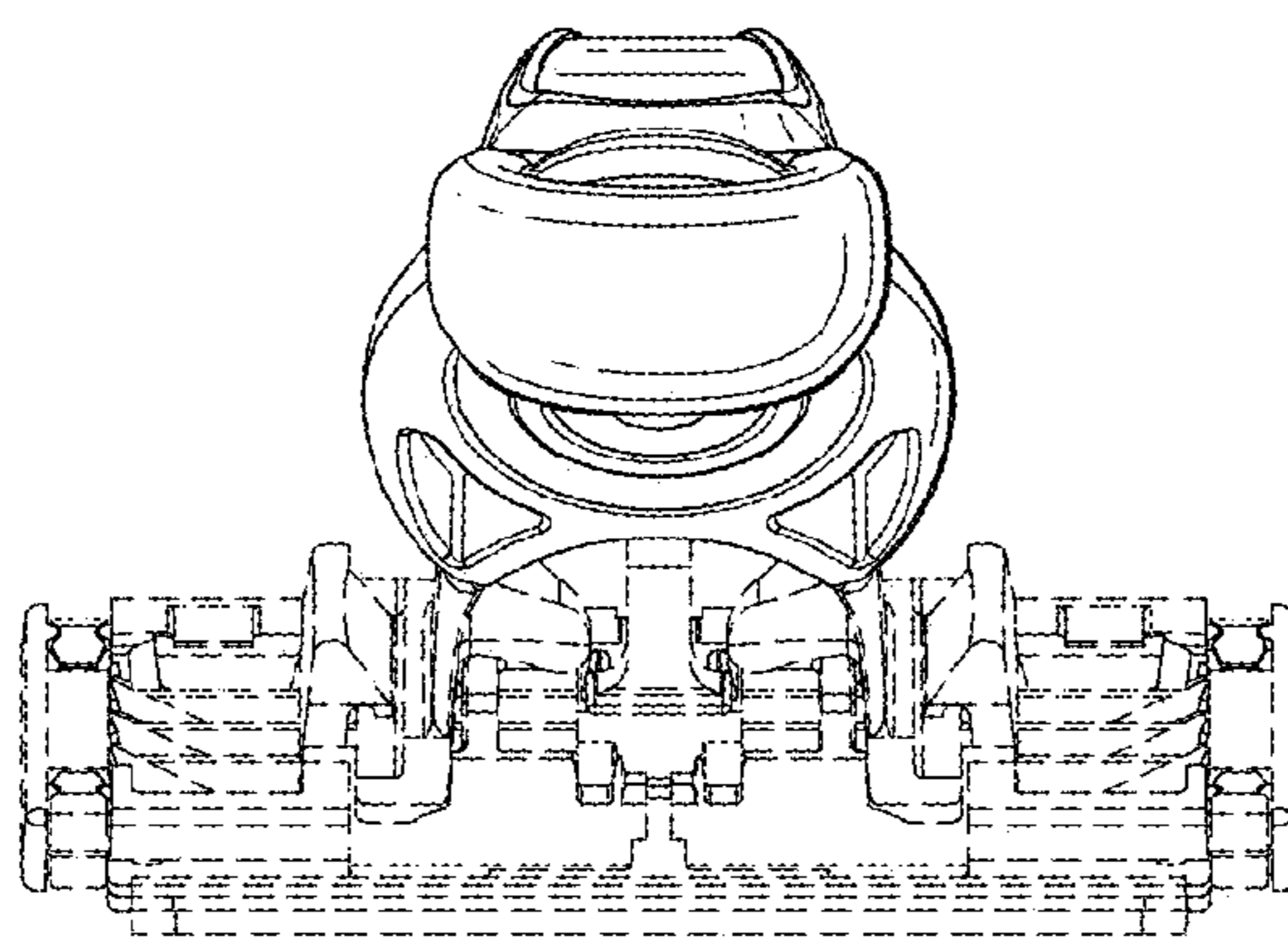


FIG. 7

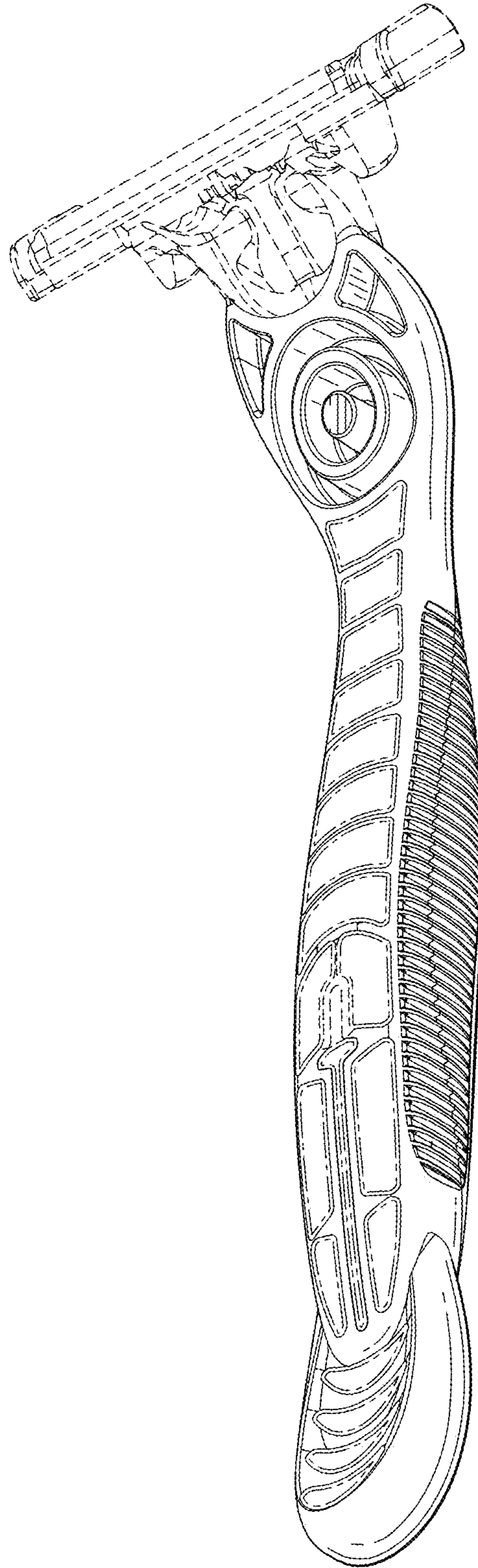


FIG. 8