

US00D739602S

(12) **United States Design Patent**  
**Karl et al.**

(10) **Patent No.:** **US D739,602 S**

(45) **Date of Patent:** **\*\* Sep. 22, 2015**

(54) **FOLDABLE CIGARETTE ROLLING TRAY**

(71) Applicants: **Jessica le Karl**, Santa Rosa, CA (US);  
**Tarsis Castillo**, Santa Rosa, CA (US);  
**Neftali Castillo**, Santa Rosa, CA (US)

(72) Inventors: **Jessica le Karl**, Santa Rosa, CA (US);  
**Tarsis Castillo**, Santa Rosa, CA (US);  
**Neftali Castillo**, Santa Rosa, CA (US)

(\*\*) Term: **14 Years**

(21) Appl. No.: **29/459,014**

(22) Filed: **Jun. 25, 2013**

(51) **LOC (10) Cl.** ..... **27-99**

(52) **U.S. Cl.**  
USPC ..... **D27/194**

(58) **Field of Classification Search**  
USPC ..... D27/171, 183-185, 194; D7/550.1,  
D7/553.1, 553.2, 554.3; 206/271;  
131/27.1, 28, 58, 105, 329  
CPC ..... A24F 17/00; A24F 23/04  
See application file for complete search history.

(56) **References Cited**

**U.S. PATENT DOCUMENTS**

D57,581 S *	4/1921	Branch	.....	D27/194
D250,280 S *	11/1978	Waldman	.....	D7/679
D257,066 S *	9/1980	Lord et al.	.....	D99/99
D273,237 S *	3/1984	Tippett	.....	D27/194
D347,489 S *	5/1994	Kastner	.....	D27/194
5,927,488 A *	7/1999	Gray	.....	206/237

D547,490 S *	7/2007	Simester	.....	D27/194
D680,682 S *	4/2013	Fallon	.....	D27/101
8,584,854 B2 *	11/2013	Kesselman et al.	.....	206/494
8,662,086 B2 *	3/2014	Kesselman	.....	131/105
2006/0237026 A1 *	10/2006	Simester	.....	131/329
2010/0270303 A1 *	10/2010	Kesselman et al.	.....	220/212
2015/0090275 A1 *	4/2015	Kesselman et al.	.....	131/105

\* cited by examiner

*Primary Examiner* — Susan Bennett Hattan

*Assistant Examiner* — Janice Hallmark

(74) *Attorney, Agent, or Firm* — Allen Dyer Doppelt  
Millbrath & Gilchrist

(57) **CLAIM**

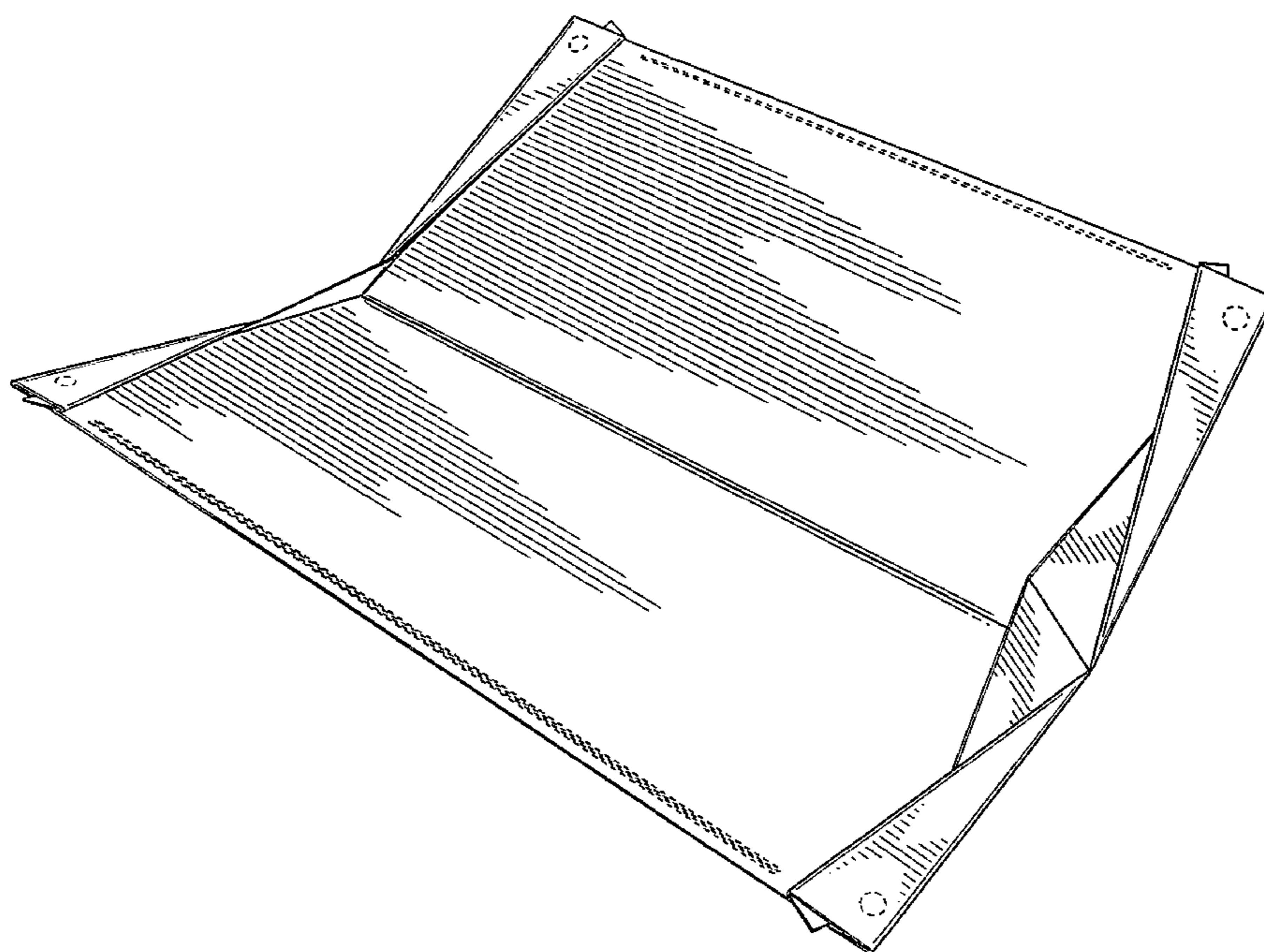
The ornamental design for a foldable cigarette rolling tray, as shown and described.

**DESCRIPTION**

FIG. 1 is a top, front, right perspective view of a foldable cigarette rolling tray;  
FIG. 2 is a top view thereof;  
FIG. 3 is a bottom view thereof;  
FIG. 4 is a right side view thereof;  
FIG. 5 is a left side view thereof;  
FIG. 6 is a front view thereof;  
FIG. 7 is a rear view thereof; and,  
FIG. 8 is a top, rear, left perspective view thereof, in a closed configuration.

The broken lines in the drawings depict environmental structure that forms no part of the claimed design.

**1 Claim, 6 Drawing Sheets**



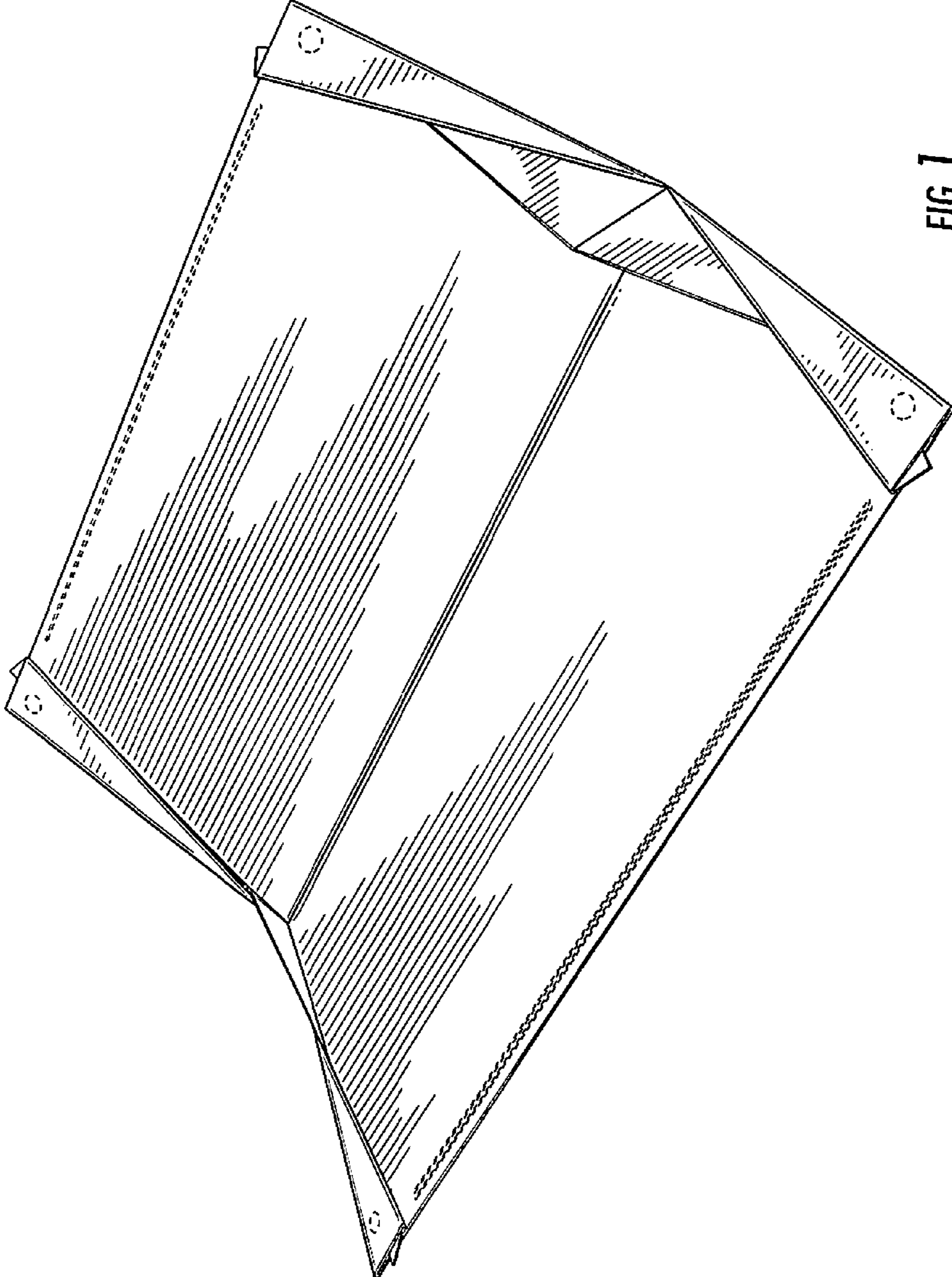


FIG. 1

FIG. 2

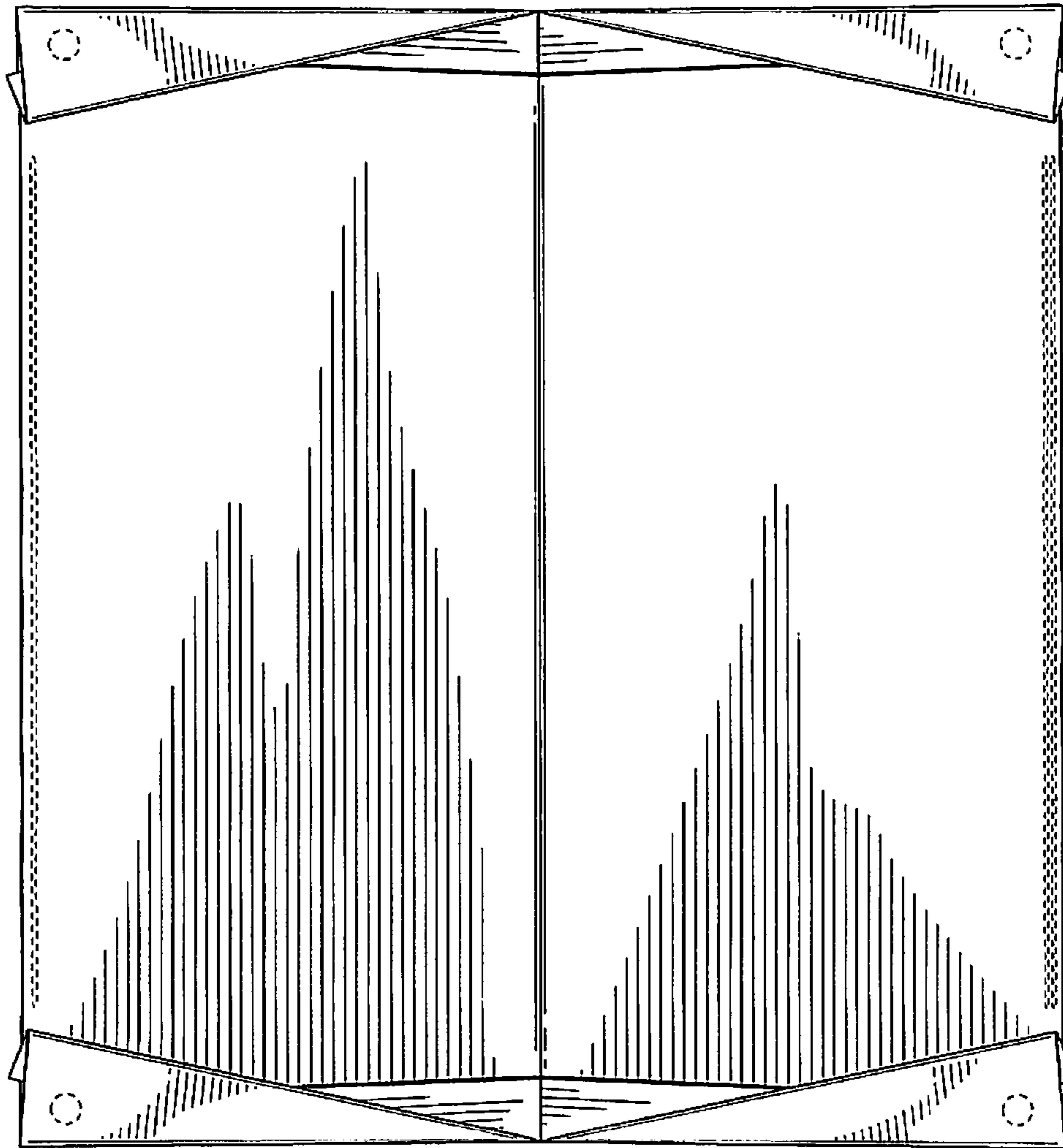
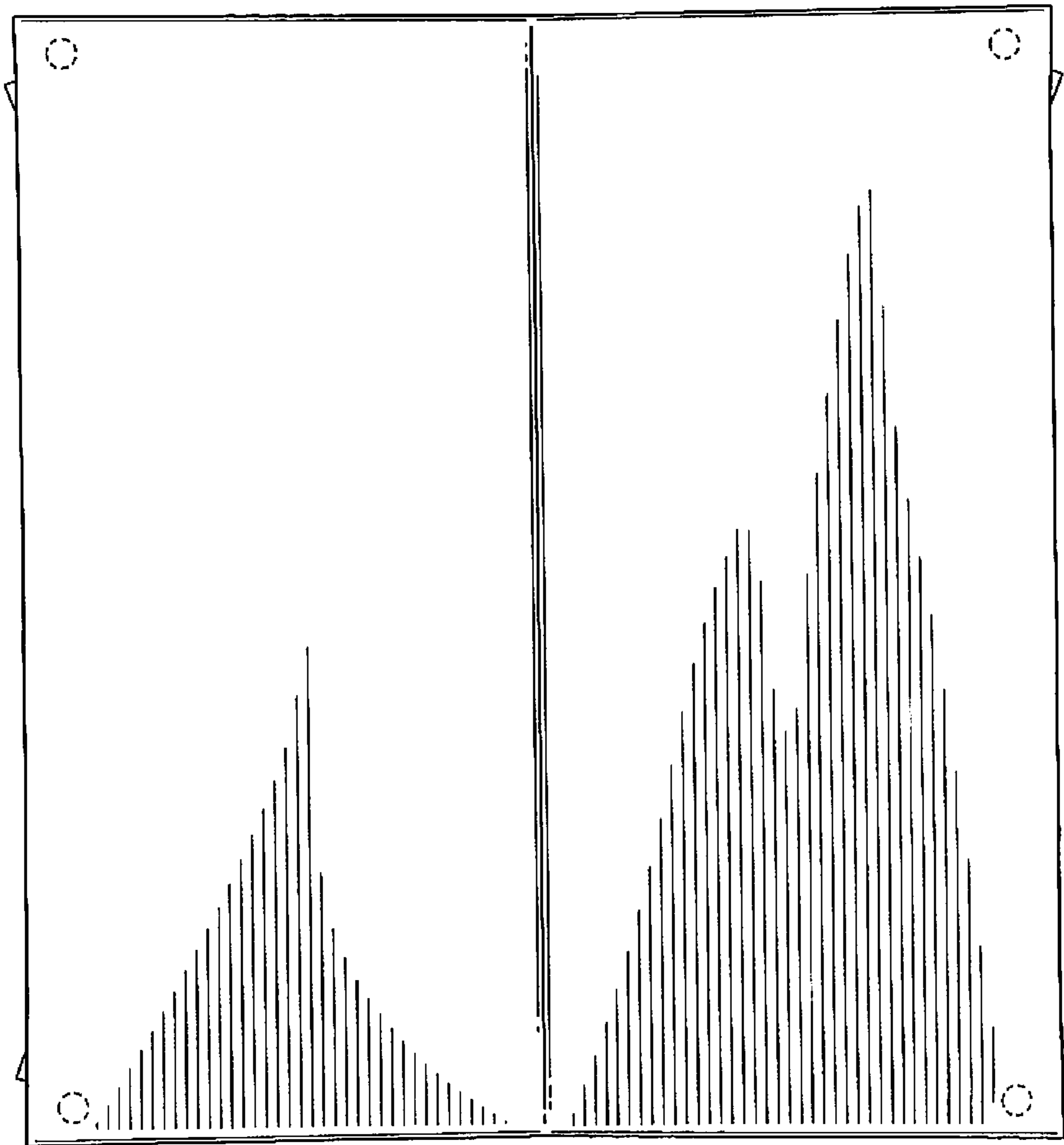


FIG. 3



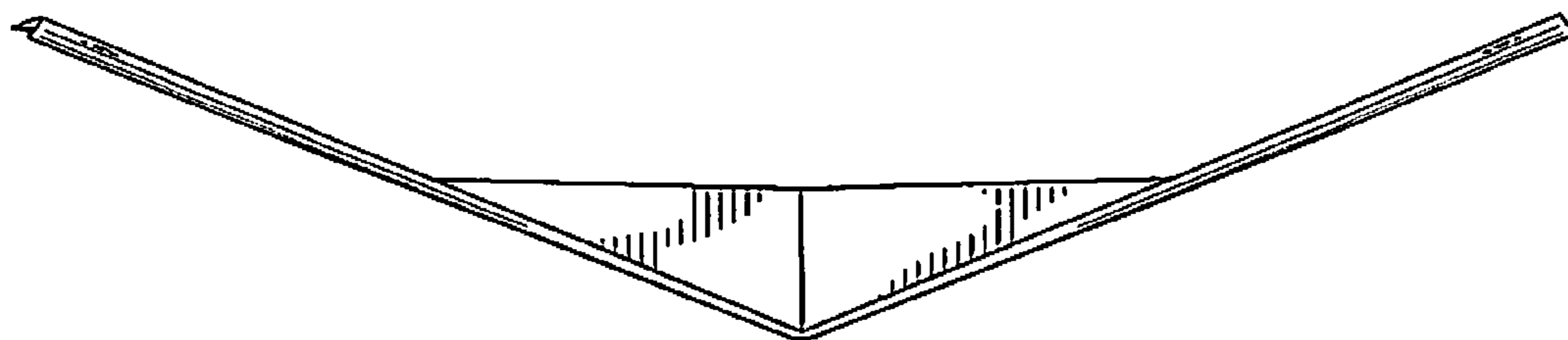


FIG. 4

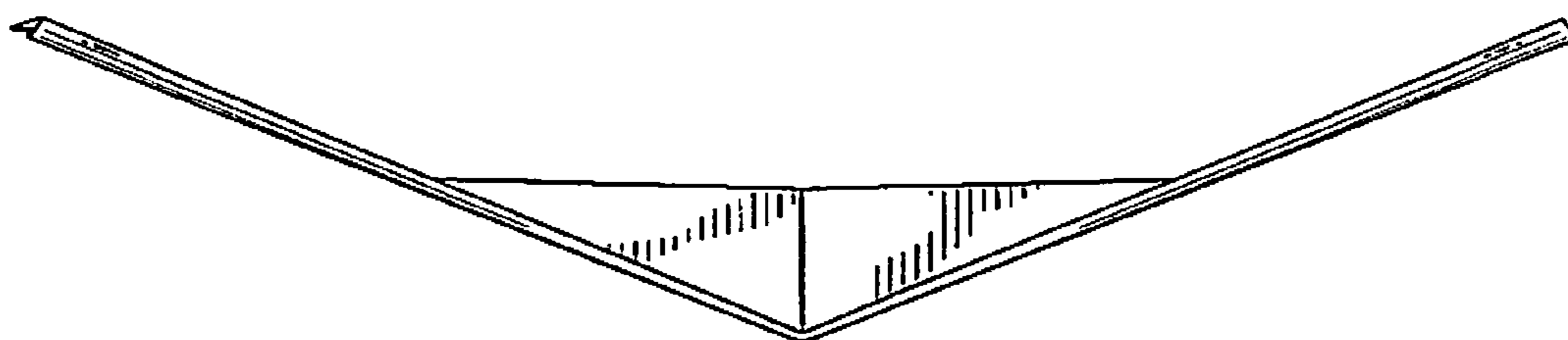


FIG. 5

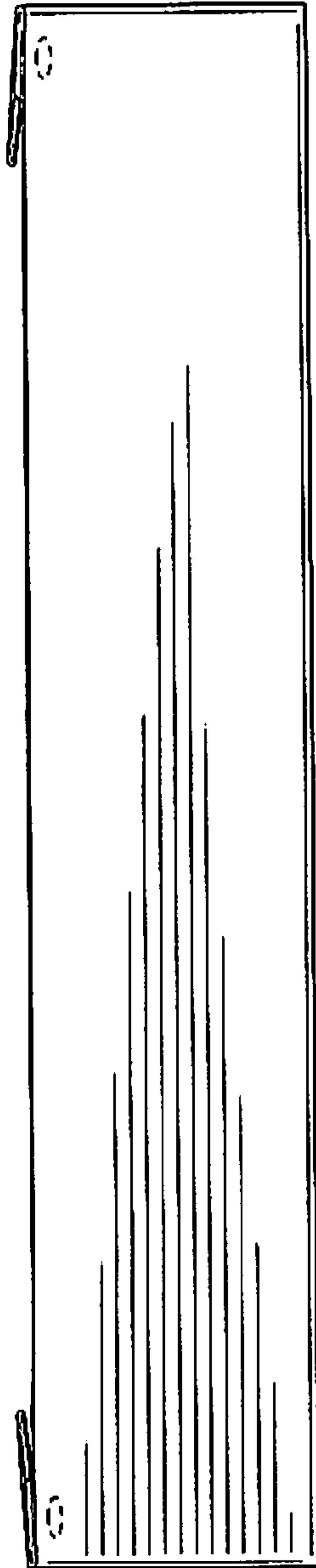


FIG. 6

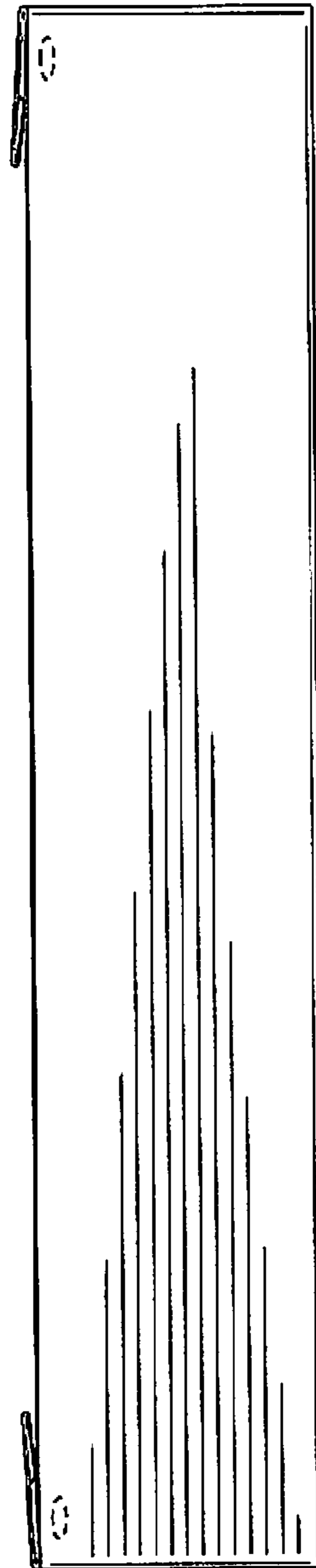


FIG. 7

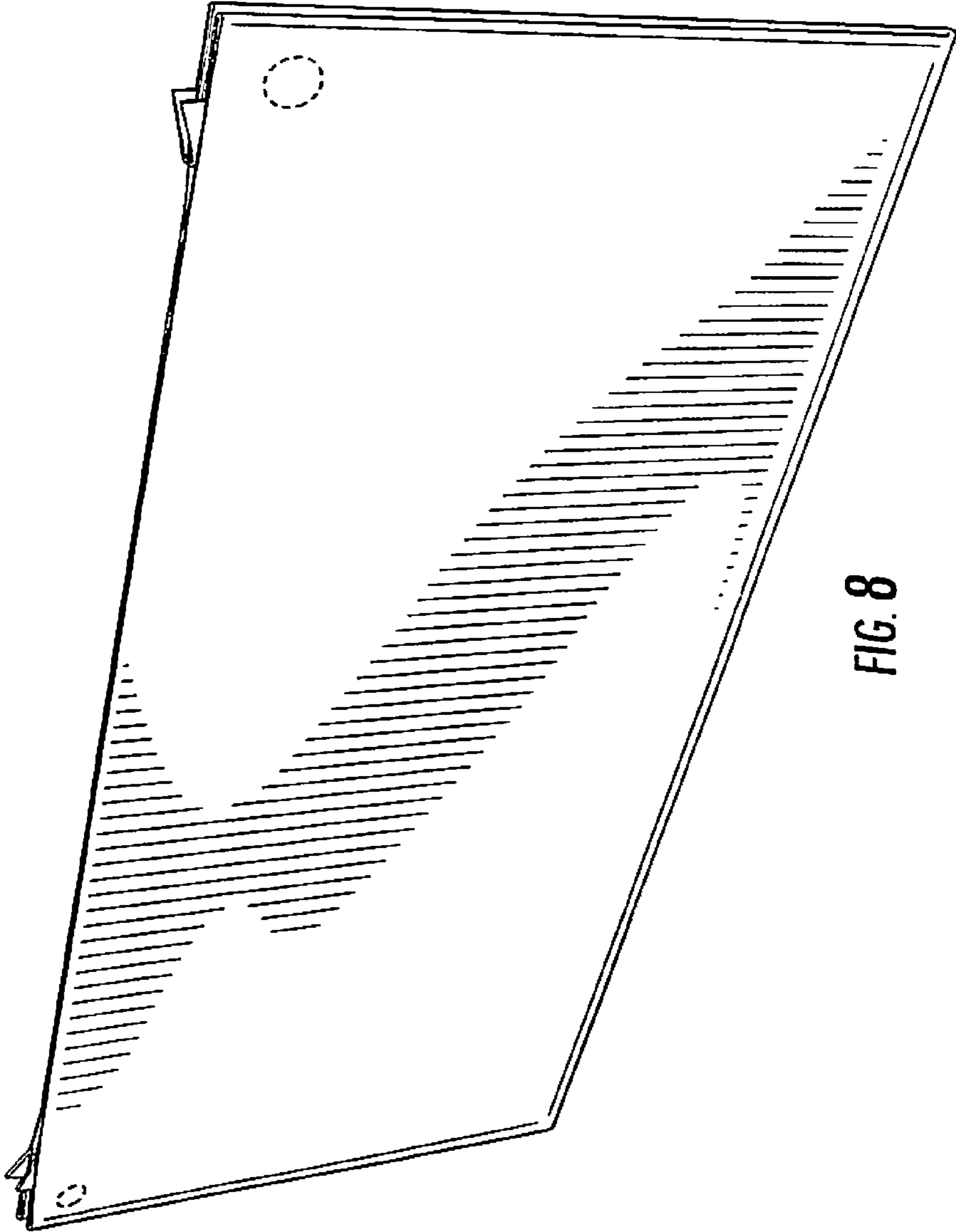


FIG. 8