



US00D739599S

(12) **United States Design Patent**
Liu

(10) **Patent No.:** **US D739,599 S**
(45) **Date of Patent:** **** Sep. 22, 2015**

(54) **ELECTRONIC CIGARETTE ATOMIZER**
(71) Applicant: **Qiuming Liu**, Shenzhen (CN)
(72) Inventor: **Qiuming Liu**, Shenzhen (CN)
(73) Assignee: **KIMREE HI-TECH INC**, Road Town,
Tortola (VG)
(**) Term: **14 Years**

(21) Appl. No.: **29/464,473**

(22) Filed: **Aug. 16, 2013**

(30) **Foreign Application Priority Data**

Aug. 1, 2013 (CN) 2013 3 368172

(51) **LOC (10) Cl.** **27-01**

(52) **U.S. Cl.**
USPC **D27/101**; D27/163; D27/167

(58) **Field of Classification Search**
USPC D27/101, 162-164, 167, 194; D24/110;
D23/213, 360, 363; 128/202.21;
131/270-273, 328-330, 347, 348, 360
CPC ... A61M 11/00; A61M 15/009; A24F 47/002;
A24F 47/00; A24F 47/004; A24F 47/006;
A24F 47/008
See application file for complete search history.

(56) **References Cited**

U.S. PATENT DOCUMENTS

3,248,022 A * 4/1966 Schulman et al. 222/153.13
3,534,890 A * 10/1970 Iannacone 222/402.14
D655,036 S * 2/2012 Zhou D27/101
D683,897 S * 6/2013 Liu D27/170
D684,311 S * 6/2013 Liu D27/101
D693,427 S * 11/2013 Jones et al. D23/213
D710,488 S * 8/2014 Alima D23/363

D717,994 S * 11/2014 Alima D27/163
8,876,785 B2 * 11/2014 Holmqvist 604/240
D720,497 S * 12/2014 Alima D27/101
D720,499 S * 12/2014 Alima D27/167
D720,883 S * 1/2015 Albanese D27/101
D722,956 S * 2/2015 Alima D13/108
D724,264 S * 3/2015 Chambers D27/101
2009/0217933 A1 * 9/2009 Chen 131/185
2013/0319407 A1 * 12/2013 Liu 128/202.21
2014/0041655 A1 * 2/2014 Barron et al. 128/202.21
2015/0083145 A1 * 3/2015 Li et al. 131/329
2015/0107612 A1 * 4/2015 Liu 131/329

* cited by examiner

Primary Examiner — Susan Bennett Hattan

Assistant Examiner — Janice Hallmark

(74) *Attorney, Agent, or Firm* — Locke Lord LLP; Tim
Tingkang Xia, Esq.

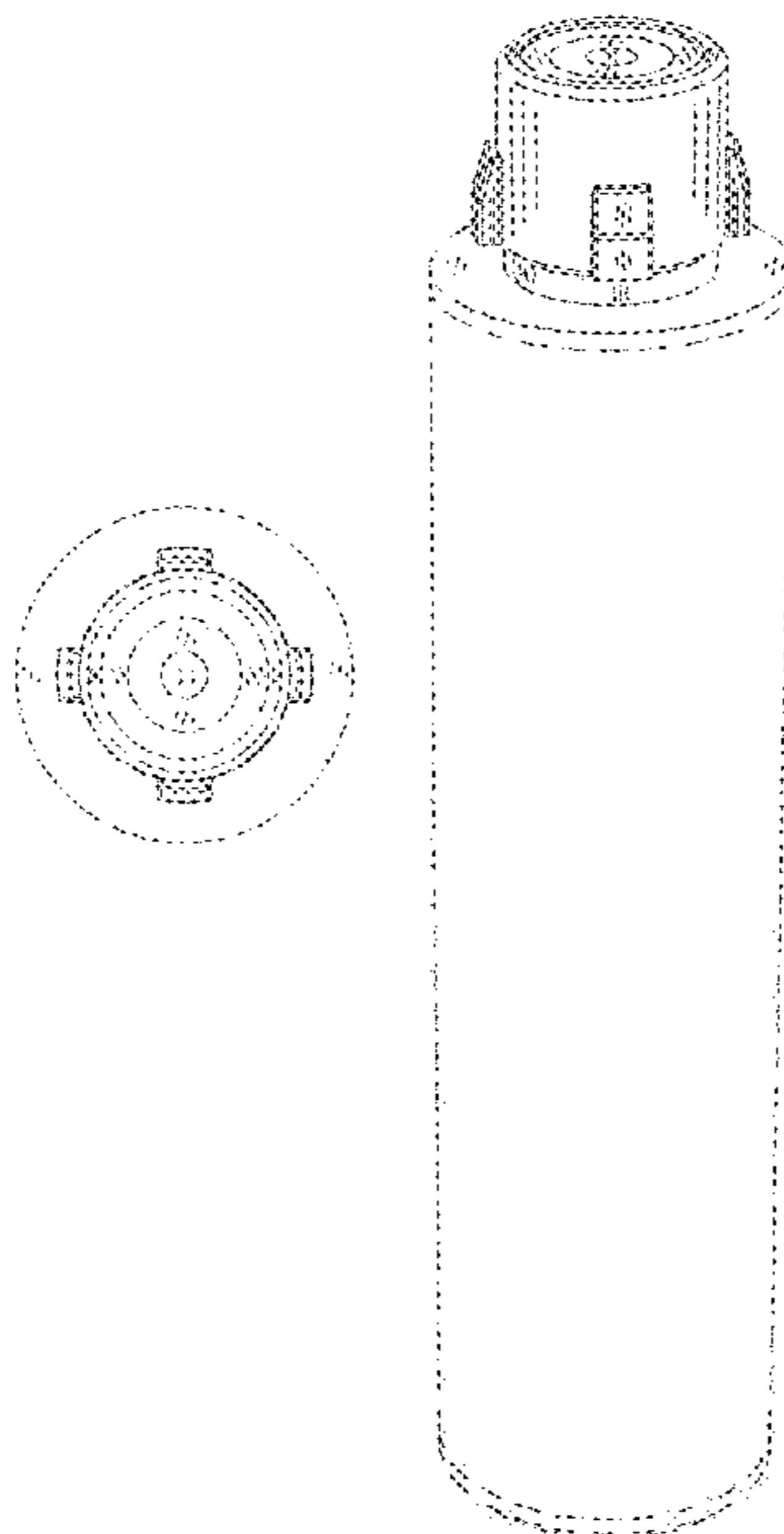
(57) **CLAIM**

The ornamental design for an electronic cigarette atomizer, as
shown and described.

DESCRIPTION

FIG. 1 is a front elevation view of an electronic cigarette
atomizer;
FIG. 2 is a left side elevation view of the electronic cigarette
atomizer;
FIG. 3 is a top plan view of the electronic cigarette atomizer;
FIG. 4 is a bottom plan view of the electronic cigarette atom-
izer;
FIG. 5 is a first perspective view of the electronic cigarette
atomizer; and,
FIG. 6 is a second perspective view of the electronic cigarette
atomizer.
The broken lines in FIGS. 1 through 6 depict parts of the
electronic cigarette atomizer that form no part of the claimed
design.

1 Claim, 5 Drawing Sheets



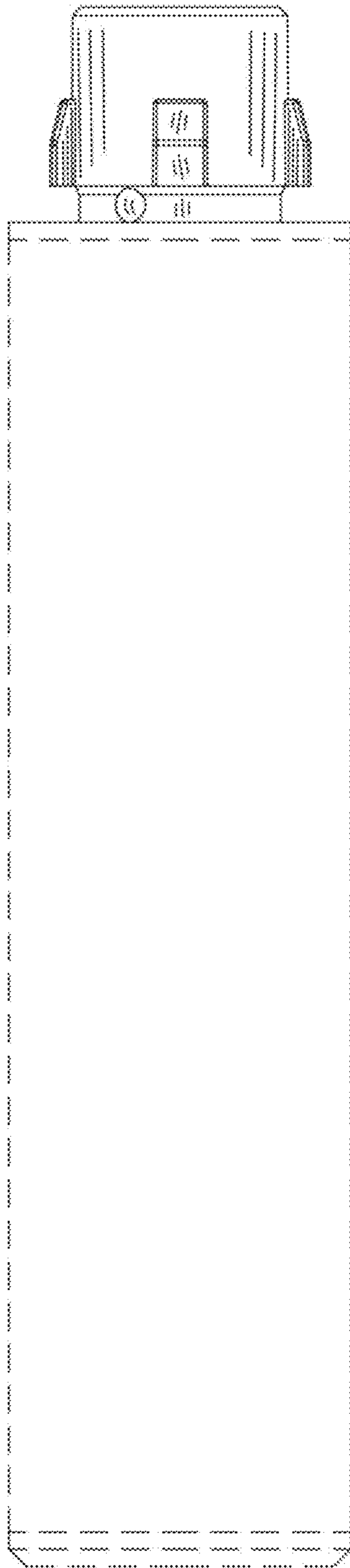


Fig. 1



Fig.2

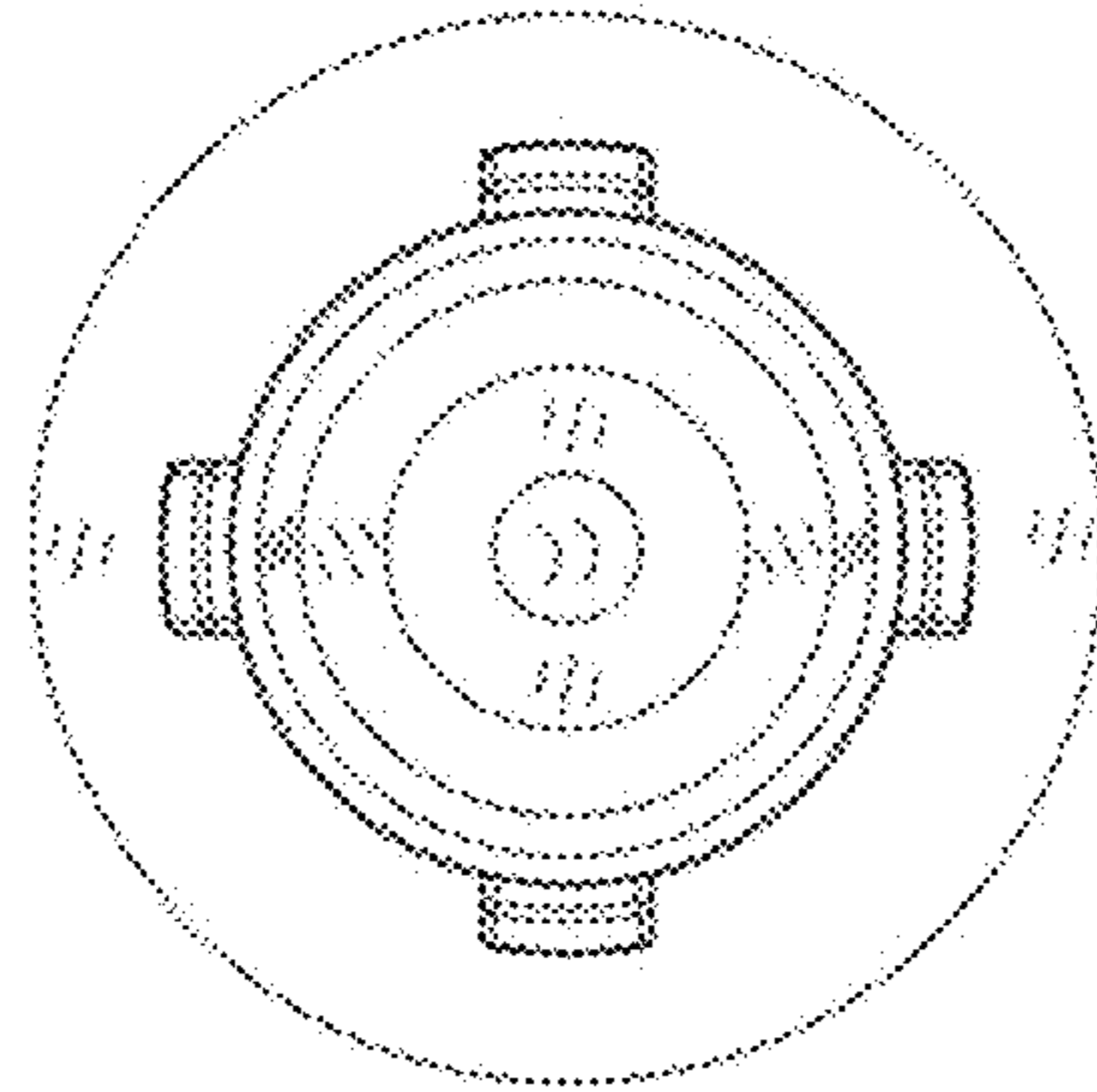


Fig.3

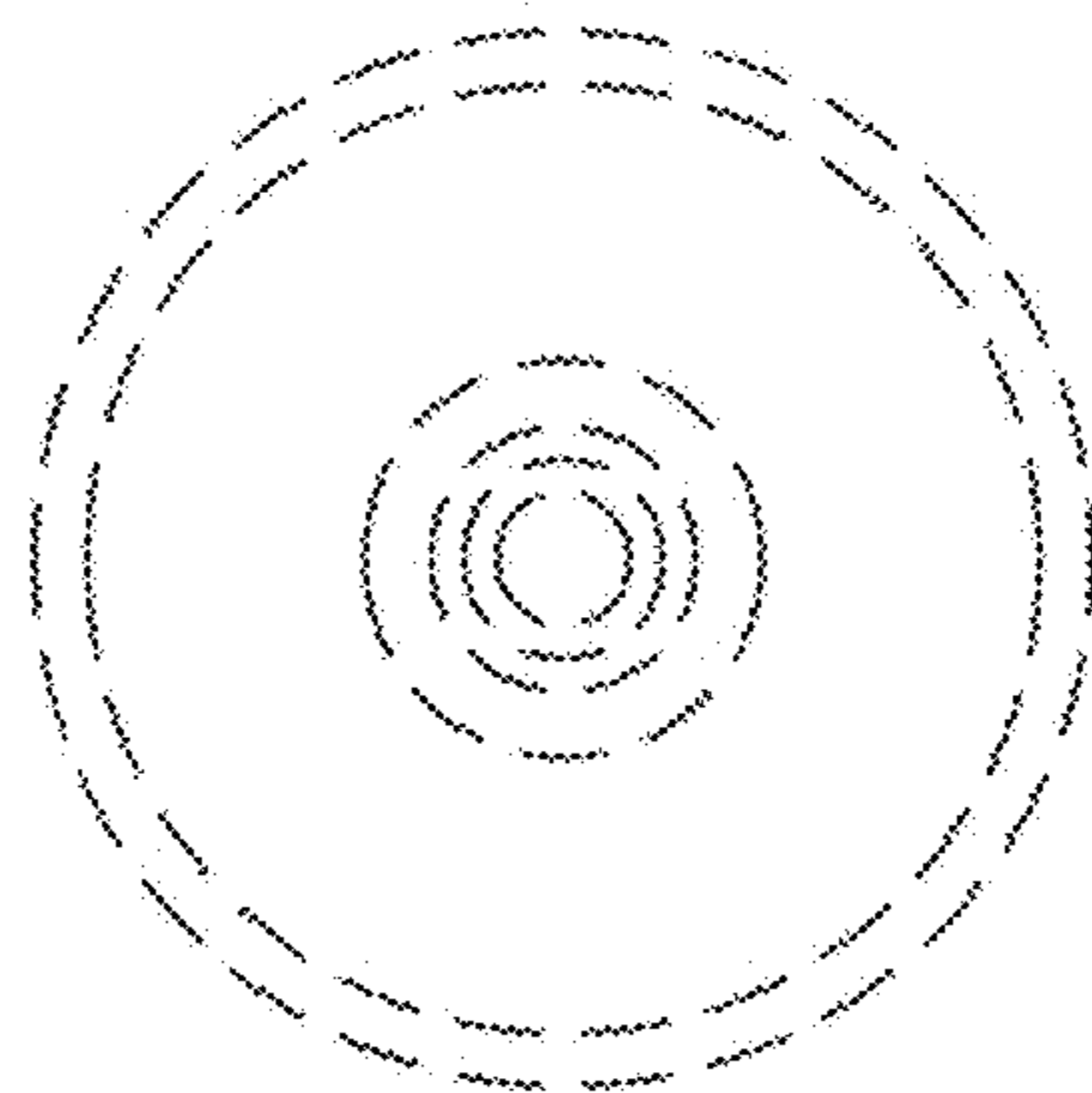


Fig.4

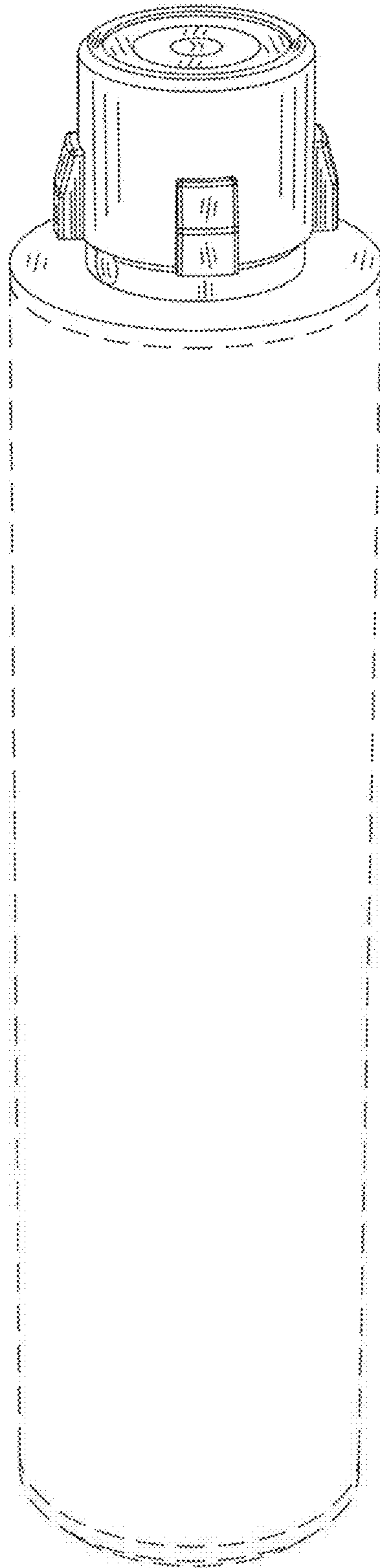


Fig.5

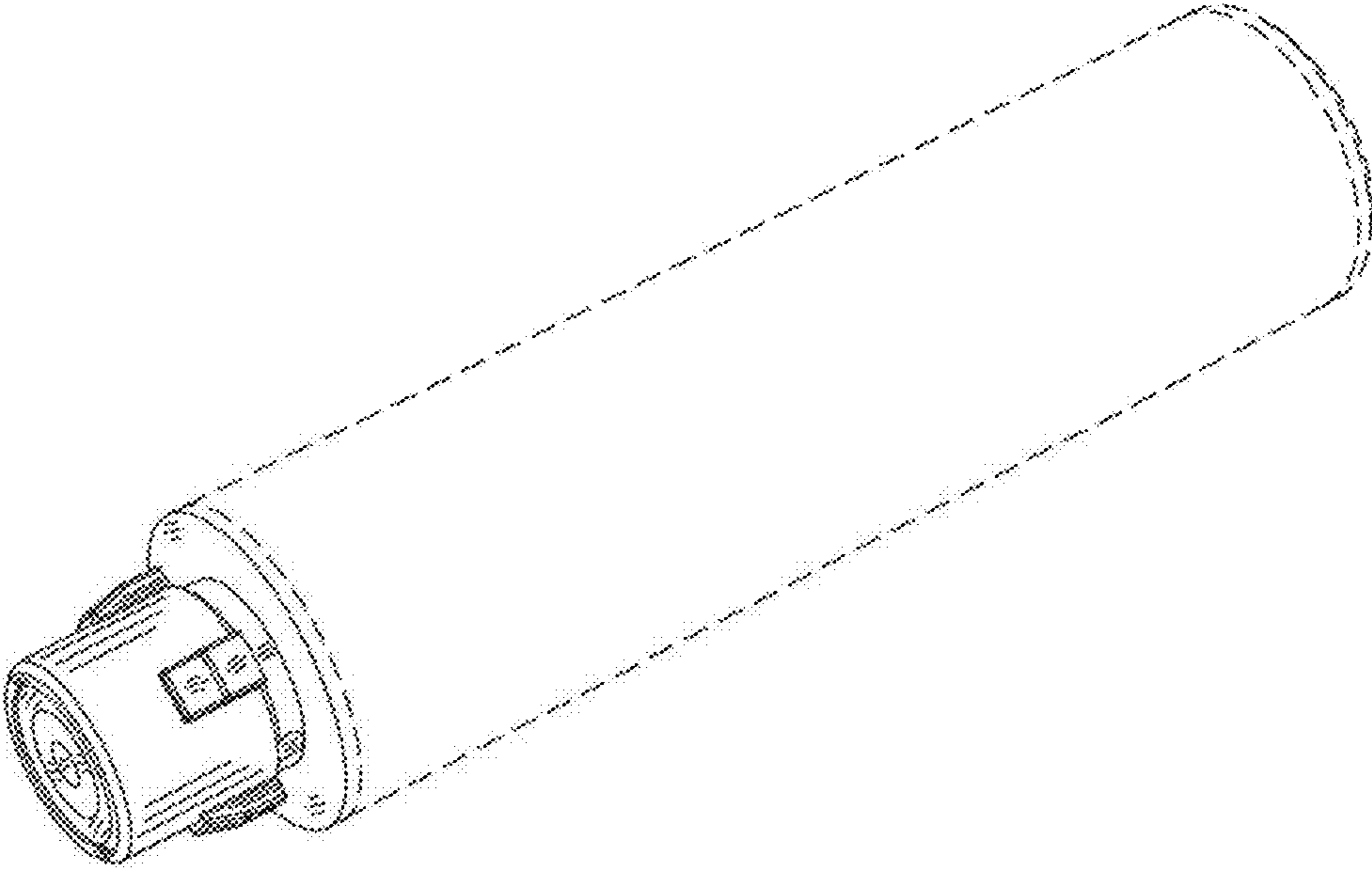


Fig.6