



US00D739597S

(12) **United States Design Patent**
Lavanchy et al.

(10) **Patent No.:** **US D739,597 S**

(45) **Date of Patent:** **** Sep. 22, 2015**

(54) **SMOKING ACCESSORY**

CPC A24F 25/02; A24F 47/008; A24F 13/26;
A24F 13/24; A24F 47/00

(75) Inventors: **Frederic Lavanchy**, Grandson (CH);
Aleksandra Samulewicz, Warsaw (PL);
Oleg Mironov, Neuchatel (CH);
Stephane Roudier, Colombier (CH);
Roberto Mancini, Bofflens (CH)

See application file for complete search history.

(73) Assignee: **PHILIP MORRIS PRODUCTS S.A.**,
Neuchatel (CH)

(**) Term: **14 Years**

(21) Appl. No.: **29/429,415**

(22) Filed: **Aug. 10, 2012**

(30) **Foreign Application Priority Data**

Feb. 13, 2012 (EM) 001991100-0001
Feb. 13, 2012 (EM) 001991100-0002
Feb. 13, 2012 (EM) 001991100-0003
Feb. 13, 2012 (EM) 001991100-0004
Feb. 13, 2012 (EM) 001991100-0005
Feb. 13, 2012 (EM) 001991100-0006
Feb. 13, 2012 (EM) 001991100-0007
Feb. 13, 2012 (EM) 001991100-0008
Feb. 13, 2012 (EM) 001991100-0009
Feb. 13, 2012 (EM) 001991100-0010

(51) **LOC (10) Cl.** **27-01**

(52) **U.S. Cl.**
USPC **D27/100; D27/101**

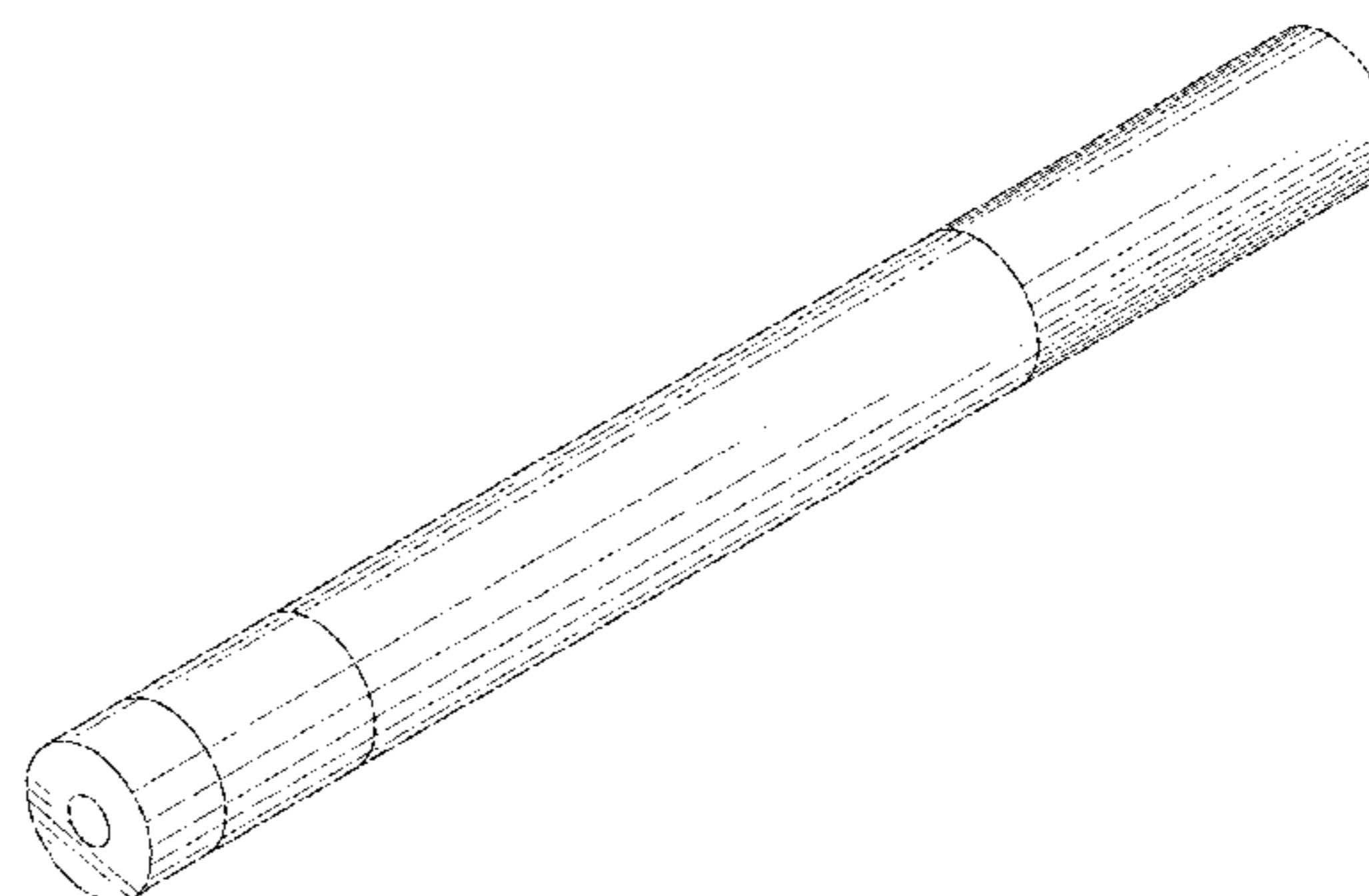
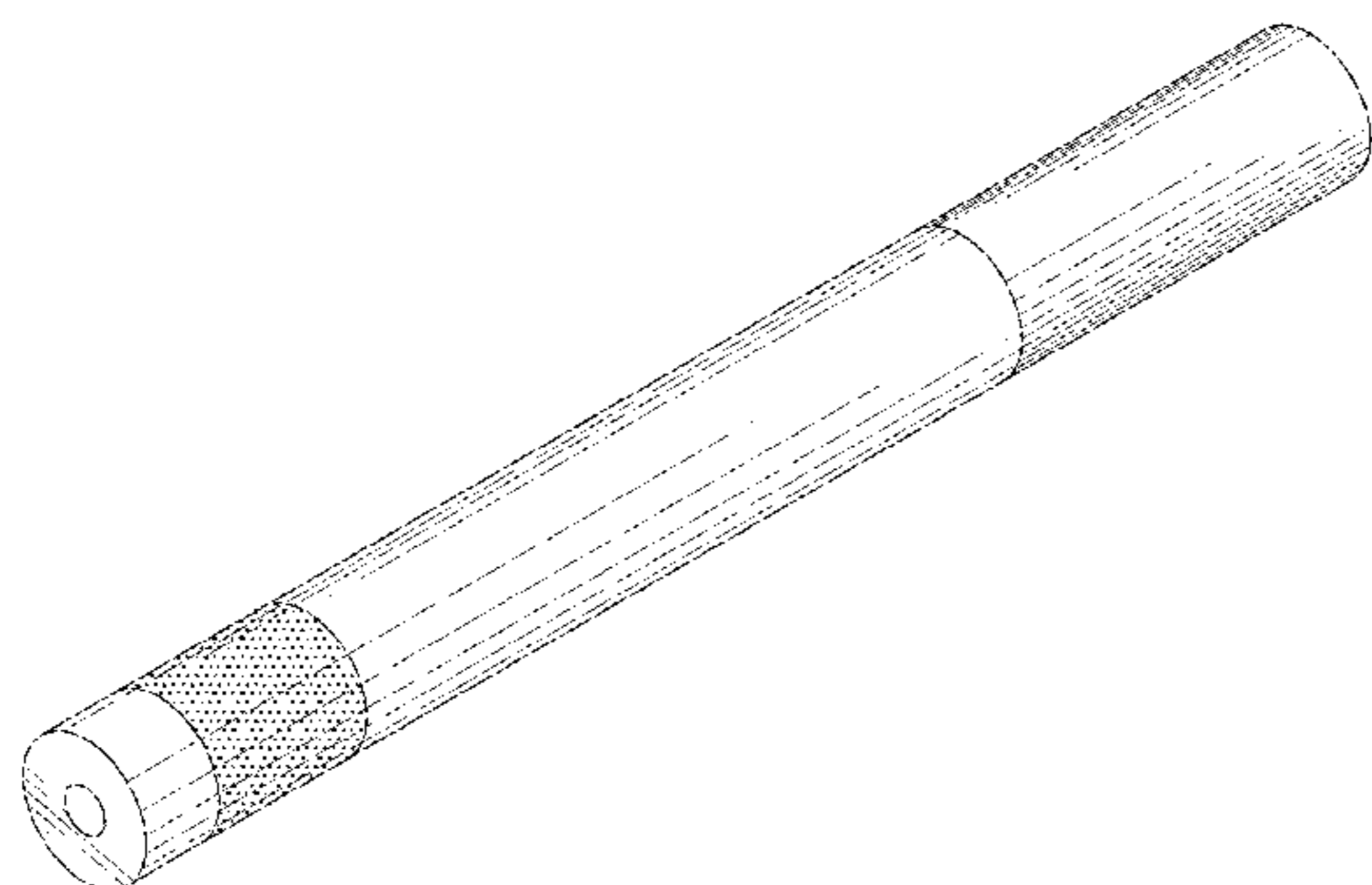
(58) **Field of Classification Search**

USPC D27/100, 101, 103, 104, 105, 108, 125,
D27/163, 164, 170, 172, 174, 175, 183, 184,
D27/186, 187, 188, 189, 190, 191, 192, 194,
D27/195; D28/75, 76, 85; 401/10, 214;
131/235.1, 270, 271, 272, 273, 329;
D19/135, 167, 169, 170, 925

(56) **References Cited**

U.S. PATENT DOCUMENTS

2,445,476 A 7/1948 Folkman
3,516,417 A 6/1970 Moses
3,587,573 A 6/1971 Flack
3,608,561 A * 9/1971 Dock 131/336
4,771,796 A * 9/1988 Myer 131/273
5,293,883 A * 3/1994 Edwards 131/270
5,535,735 A * 7/1996 McPherson 128/202.21
5,613,504 A 3/1997 Collins et al.
5,865,185 A 2/1999 Collins et al.
D410,765 S 6/1999 Gawryk
D453,854 S * 2/2002 Verhoeven-Koster D27/101
6,532,965 B1 3/2003 Abhulimen et al.
D573,888 S * 7/2008 Pascalie D9/504
D580,597 S * 11/2008 Mascotte et al. D28/76
D584,608 S * 1/2009 McBride D9/418
D617,050 S * 6/2010 Lou D28/76
D623,351 S * 9/2010 Kirkeby D27/101
D624,238 S 9/2010 Turner
D642,330 S 7/2011 Turner
D644,375 S 8/2011 Zhou
D653,390 S * 1/2012 Kaljura D27/101
D653,802 S * 2/2012 Kaljura D27/101
D653,803 S 2/2012 Timmermans
D662,257 S 6/2012 Alelov
D666,355 S 8/2012 Alelov
8,499,766 B1 * 8/2013 Newton 131/273
8,528,569 B1 * 9/2013 Newton 131/194
8,539,959 B1 * 9/2013 Scatterday 131/361
D692,613 S * 10/2013 Morreale D27/170
D695,449 S * 12/2013 Tucker et al. D27/101
8,646,461 B2 * 2/2014 von Borstel et al. 131/273
2005/0016550 A1 * 1/2005 Katase 131/194
2010/0200008 A1 * 8/2010 Taieb 131/360
2011/0120455 A1 * 5/2011 Murphy 128/200.18
2011/0220134 A1 * 9/2011 Duke et al. 131/331
2011/0232654 A1 * 9/2011 Mass 131/273
2011/0277780 A1 * 11/2011 Terry et al. 131/273
2011/0290268 A1 12/2011 Schennum
2013/0192617 A1 * 8/2013 Thompson 131/329



2013/0276802	A1*	10/2013	Scatterday	131/329
2014/0083442	A1*	3/2014	Scatterday	131/329
2014/0246034	A1*	9/2014	Terry et al.	131/329
2014/0283859	A1*	9/2014	Minskoff et al.	131/329

FOREIGN PATENT DOCUMENTS

AU	345051	S	2/2012
AU	345057	S	2/2012
AU	345796	S	2/2012
AU	345797	S	2/2012
CN	300921772D		5/2009
CN	300929777D		5/2009
CN	301100296		12/2009
CN	301114285		1/2010
CN	301168378		3/2010
CN	301168379D		3/2010
CN	301168380		3/2010
CN	301168381D		3/2010
CN	301168382		3/2010
CN	301168383D		3/2010
CN	301322530	S	8/2010
CN	301357985	S	9/2010
CN	301412347	S	12/2010
CN	301555201	S	5/2011
CN	201744970	S	11/2011
CN	301722384	S	11/2011
CN	301722386	S	11/2011
CN	301847622		2/2012
DE	M8905328		2/2013
DE	M9800710-0001		2/2013
DE	M9800710-0005		2/2013
DE	M9800710-0008		2/2013
EM	000054630-0001		9/2003
EM	000084876-0001		1/2004
EM	000084876-0002		1/2004
EM	000084876-0003		1/2004
EM	000084876-0004		1/2004
EM	000084876-0005		1/2004
EM	000084876-0006		1/2004
EM	000084876-0007		1/2004
EM	000084876-0008		1/2004
EM	000084876-0009		1/2004
EM	000084876-0010		1/2004
EM	000084876-0011		1/2004
EM	000084876-0012		1/2004
EM	000084876-0013		1/2004
EM	000084876-0014		1/2004
EM	000084876-0015		1/2004
EM	000084876-0016		1/2004
EM	000084876-0017		1/2004
EM	000222450-0002		11/2004
EM	000855317-0001		2/2008
EM	001025779-0001		11/2008
EM	000778220-0001		2/2010
EM	001857558-0001		5/2011
EM	001317556-0001		3/2012
EM	001317556-0002		3/2012
EM	001317556-0003		3/2012
EM	001317556-0004		3/2012
EM	001317556-0005		3/2012
EM	001317556-0006		3/2012
EM	001317556-0007		3/2012
EM	001317556-0008		3/2012
EM	001317556-0009		3/2012
EM	001991126-0001		3/2012
EM	001991126-0002		3/2012
EM	001991126-0003		3/2012
EM	001991126-0004		3/2012
EM	001991126-0005		3/2012
EM	001991126-0006		3/2012
EM	001991126-0007		3/2012
EM	001307631-0003		4/2012
EM	001307631-0004		4/2012
EM	001307631-0021		4/2012
EM	001307649-0002		4/2012
EM	001307649-0003		4/2012
EM	001307649-0004		4/2012
EM	001307649-0005		4/2012

EM	001307649-0006	4/2012
EM	001307656-0001	4/2012
EM	001307656-0004	4/2012
EM	001307656-0007	4/2012
EM	001307656-0013	4/2012
FR	091723-003	2/2010
FR	092495-001	2/2010
JP	D1385675	4/2010
JP	D1385677	4/2010
JP	D1500380	6/2014
KR	20-0443406	2/2009
KR	300499051.0000	7/2011
RU	59758	7/2006
TW	D133649 S1	3/2010

OTHER PUBLICATIONS

Office Action issued May 28, 2014 in Japanese Design Application No. 2013-012905 (with English language translation).

Office Action issued May 28, 2014 in Japanese Design Application No. 2013-012906 (with English language translation).

Office Action issued May 28, 2014 in Japanese Design Application No. 2013-012907 (with English language translation).

Office Action issued Jul. 25, 2014 in Korean Patent Application No. 30-2013-0056782 (with English language translation).

Office Action issued Jul. 25, 2014 in Korean Patent Application No. 30-2013-0056783 (with English language translation).

Office Action issued Jul. 25, 2014 in Korean Patent Application No. 30-2013-0056784 (with English language translation).

Office Action issued Jul. 25, 2014 in Korean Patent Application No. 30-2013-0056785 (with English language translation).

Office Action issued Jul. 25, 2014 in Korean Patent Application No. 30-2013-0056786 (with English language translation).

Office Action issued Jul. 25, 2014 in Korean Patent Application No. 30-2013-0056787 (with English language translation).

Office Action issued Jul. 25, 2014 in Korean Patent Application No. 30-2013-0056788 (with English language translation).

Office Action issued Jul. 25, 2014 in Korean Patent Application No. 30-2013-0056789 (with English language translation).

Office Action issued Jul. 25, 2014 in Korean Patent Application No. 30-2013-0057786 (with English language translation).

Office Action issued Jul. 25, 2014 in Korean Patent Application No. 30-2013-0057787 (with English language translation).

Office Action issued Feb. 21, 2013 in Russian Patent Application No. 2012502820 filed Aug. 10, 2012 (with English language translation).

English Translation of Notice of Office Action, dated Jul. 16, 2013, in Korean App. No. 30-2012-0038496, 3 pp.

English Translation of Notice of Office Action, dated Jul. 16, 2013, in Korean App. No. 30-2012-0038497, 3 pp.

English Translation of Notice of Office Action, dated Aug. 12, 2013, in Korean App. No. 30-2012-0042583, 3 pp.

English Translation of Notification for the Opinion of Examination, mailed Jun. 25, 2013, in Taiwanese App. No. 101304686, 3 pp.

Combined Office Action and Search Report issued Jun. 25, 2013 in Taiwanese Patent Application No. 101304686 (submitting English language translation only).

English Translation of Notification for the Opinion of Examination, mailed Jun. 25, 2013, in Taiwanese App. No. 101304687, 3 pp.

“Cangan Boking Plastic Crafts Factory—Health E-Cigarette BKEC-1001,” http://www.cnboking.cn/product/353976483-210065085/Health_E_Cigarette_BKEC_1003.html, printed Aug. 19, 2013, 4 pp.

“Cangan Boking Plastic Crafts Factory—Health E-Cigarette BKEC-1003,” http://www.cnboking.cn/product/309081858-210065085/Health_E_Cigarette_BKEC_1003.html, printed Aug. 19, 2013, 2 pp.

Examiner’s Report issued Feb. 19, 2013 in Australian Patent Application No. 346351.

Examiner’s Report issued Feb. 19, 2013 in Australian Patent Application No. 346352.

Examiner’s Report issued Feb. 19, 2013 in Australian Patent Application No. 346386.

Examiner’s Report issued Feb. 19, 2013 in Australian Patent Application No. 346355.

Examiner's Report issued Feb. 19, 2013 in Australian Patent Application No. 346353.

Office Action in Russian Patent Application No. 2012502821 with English language translation, dated Aug. 20, 2013.

KIPO Catalog Serial No. F4011571420, May 24, 2011, 1 pp.

Notification of Substantive Examination Result for Design Application issued Jan. 22, 2014 in Vietnamese Application No. 3-2012-01092 (English translation only).

Notification of Substantive Examination Result for Design Application issued Jan. 21, 2014 in Vietnamese Application No. 3-2012-01091 (English translation only).

Electric Cigarette Photos & Videos Internet archive Way Back Machine, Feb. 5, 2012, 1 page <http://web.archive.org/web/20120205201828/http://www.ecigme.com/cigarette-media>.

* cited by examiner

Primary Examiner — Barbara Fox

Assistant Examiner — Chelsea Sealey

(74) *Attorney, Agent, or Firm* — Oblon, McClelland, Maier & Neustadt, L.L.P.

(57) **CLAIM**

The ornamental design for a smoking accessory, as shown and described.

DESCRIPTION

FIG. 1 is a perspective view of the front, top, and left side of a smoking accessory showing our new design;

FIG. 2 is a front elevational view thereof;

FIG. 3 is a rear elevational view thereof;

FIG. 4 is a left side elevational view thereof;

FIG. 5 is a right side elevational view thereof;

FIG. 6 is a top elevational view thereof;

FIG. 7 is a bottom elevational view thereof;

FIG. 8 is a perspective view of the front, top, and left side of the smoking accessory in a second embodiment;

FIG. 9 is a front elevational view thereof;

FIG. 10 is a rear elevational view thereof;

FIG. 11 is a left side elevational view thereof;

FIG. 12 is a right side elevational view thereof;

FIG. 13 is a top elevational view thereof;

FIG. 14 is a bottom elevational view thereof;

FIG. 15 is a perspective view of the front, top, and left side of the smoking accessory in a third embodiment;

FIG. 16 is a front elevational view thereof;

FIG. 17 is a rear elevational view thereof;

FIG. 18 is a left side elevational view thereof;

FIG. 19 is a right side elevational view thereof;

FIG. 20 is a top elevational view thereof;

FIG. 21 is a bottom elevational view thereof;

FIG. 22 is a perspective view of the front, top, and left side of the smoking accessory in a fourth embodiment;

FIG. 23 is a front elevational view thereof;

FIG. 24 is a rear elevational view thereof;

FIG. 25 is a left side elevational view thereof;

FIG. 26 is a right side elevational view thereof;

FIG. 27 is a top elevational view thereof;

FIG. 28 is a bottom elevational view thereof;

FIG. 29 is a perspective view of the front, top, and left side of the smoking accessory in a fifth embodiment;

FIG. 30 is a front elevational view thereof;

FIG. 31 is a rear elevational view thereof;

FIG. 32 is a left side elevational view thereof;

FIG. 33 is a right side elevational view thereof;

FIG. 34 is a top elevational view thereof;

FIG. 35 is a bottom elevational view thereof;

FIG. 36 is a perspective view of the front, top, and left side of the smoking accessory in a sixth embodiment;

FIG. 37 is a front elevational view thereof;

FIG. 38 is a rear elevational view thereof;

FIG. 39 is a left side elevational view thereof;

FIG. 40 is a right side elevational view thereof;

FIG. 41 is a top elevational view thereof; and,

FIG. 42 is a bottom elevational view thereof.

1 Claim, 18 Drawing Sheets

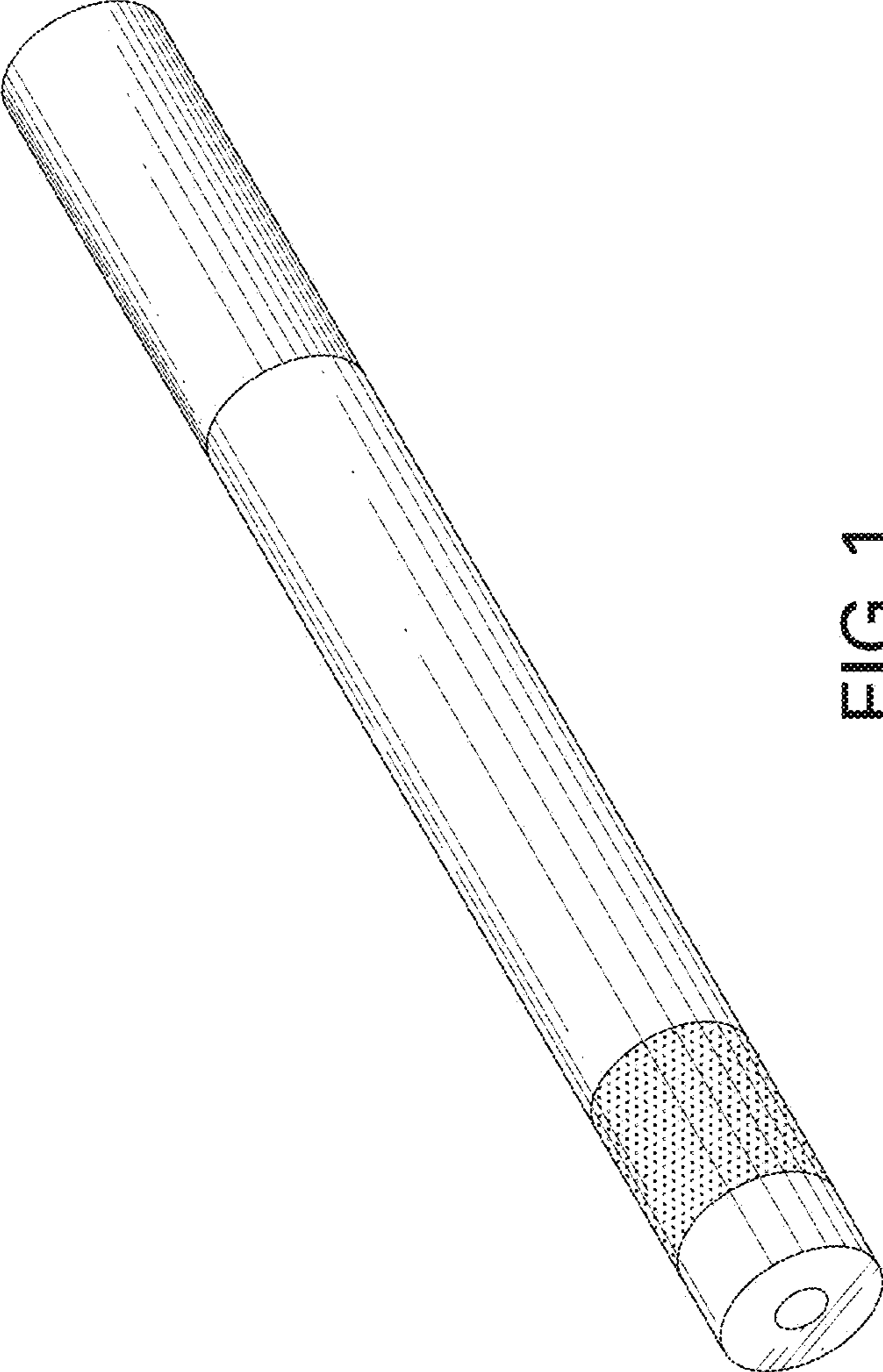


FIG.1

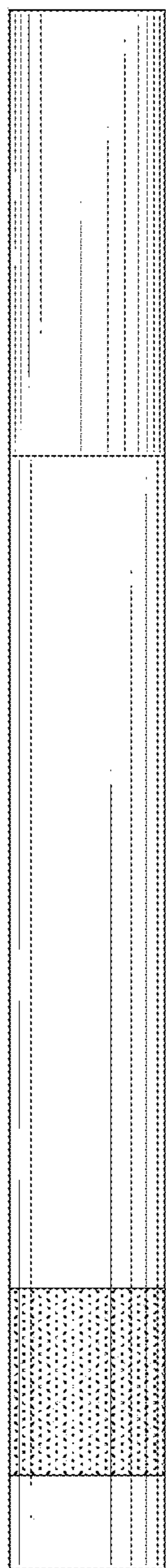


FIG. 2

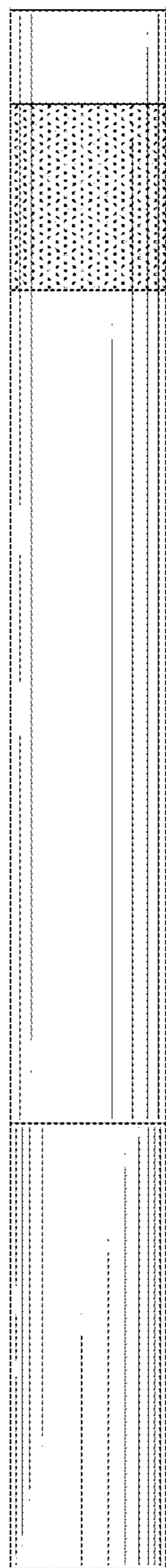


FIG. 3



FIG. 4

FIG. 5

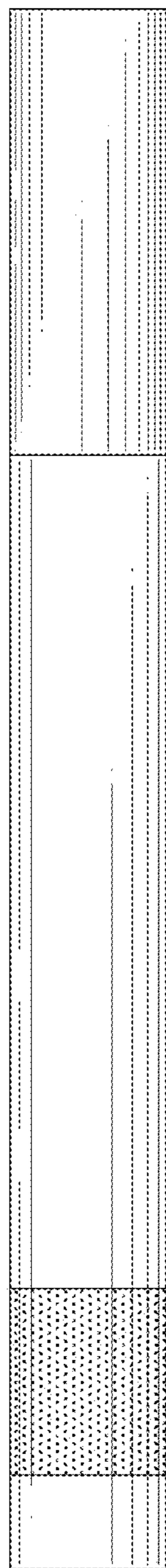


FIG. 6

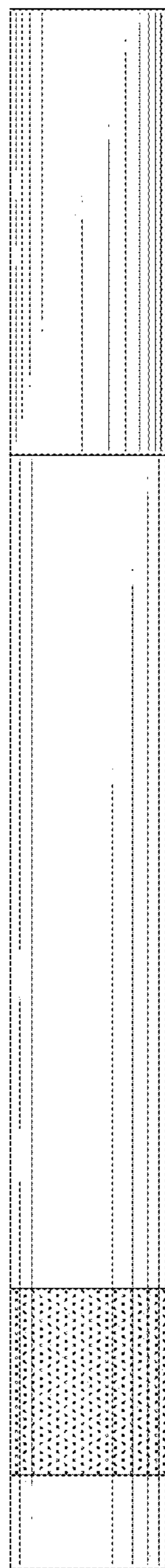


FIG. 7

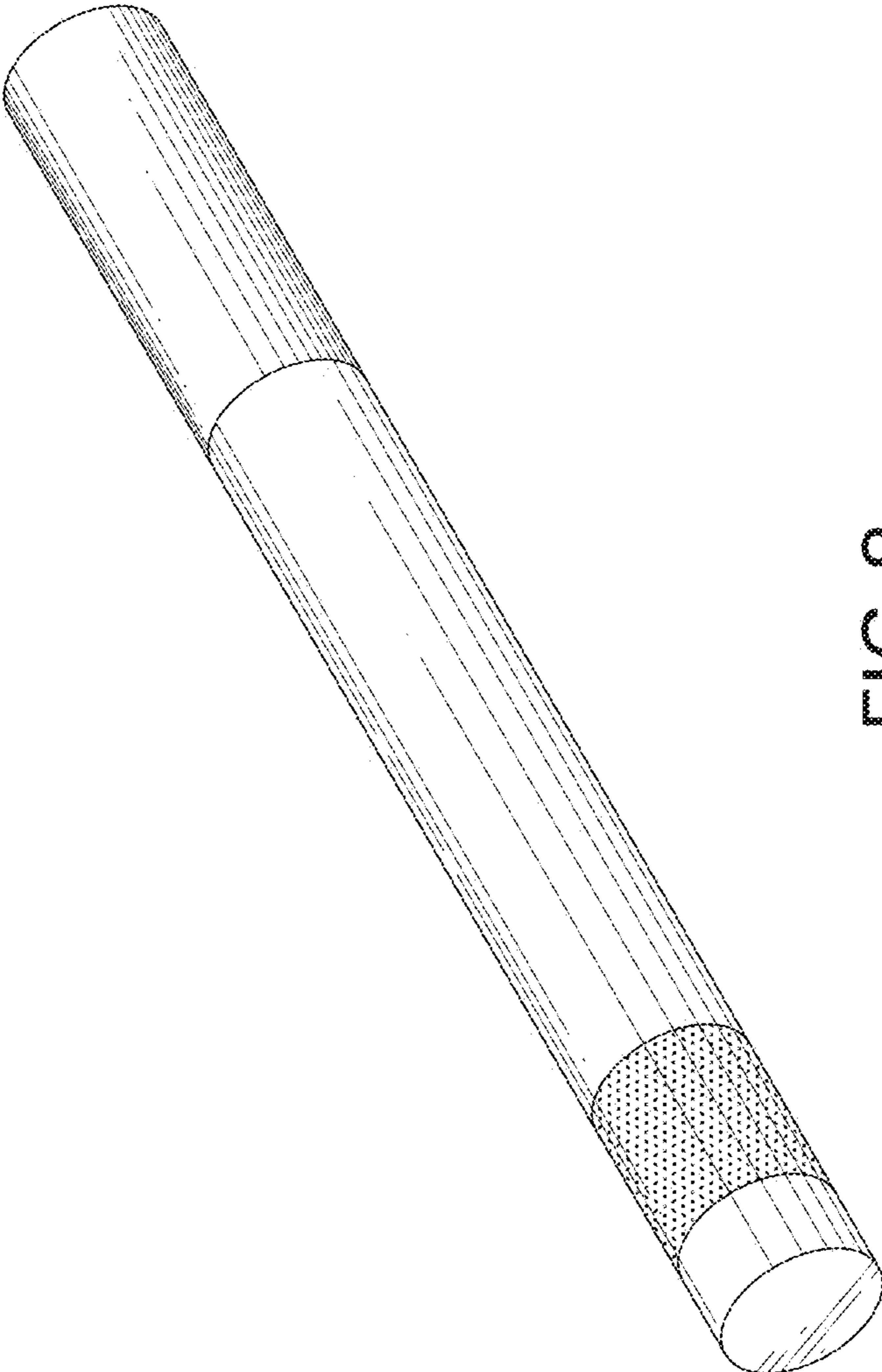


FIG. 8

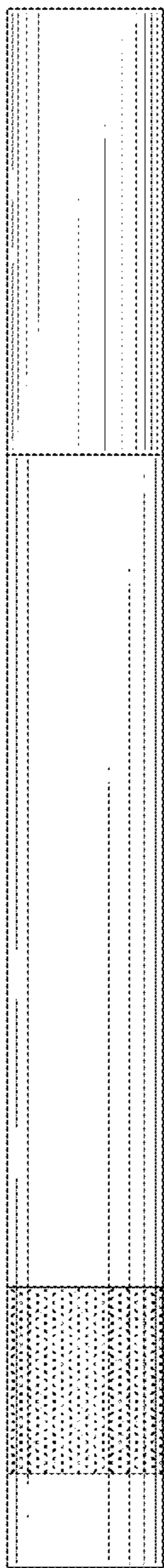


FIG. 9

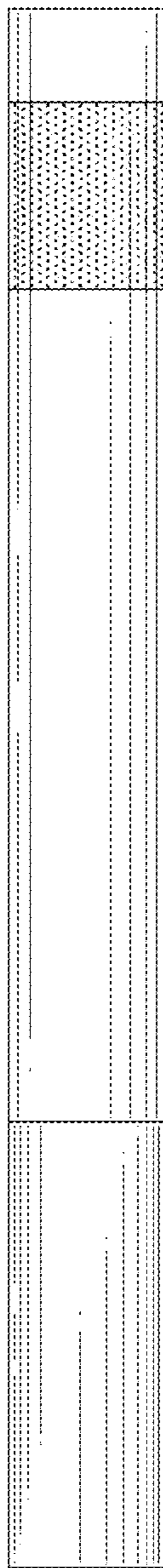


FIG. 10



FIG. 11

FIG. 12

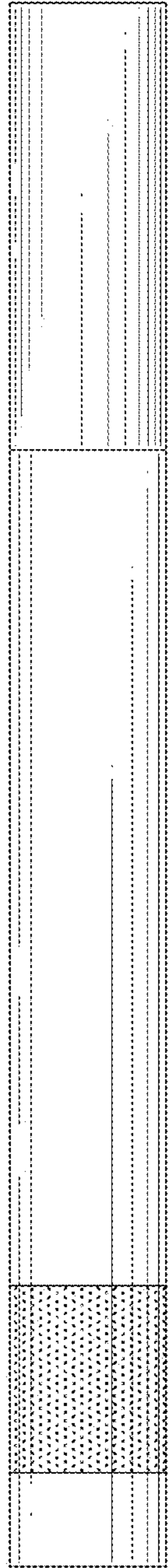


FIG. 13

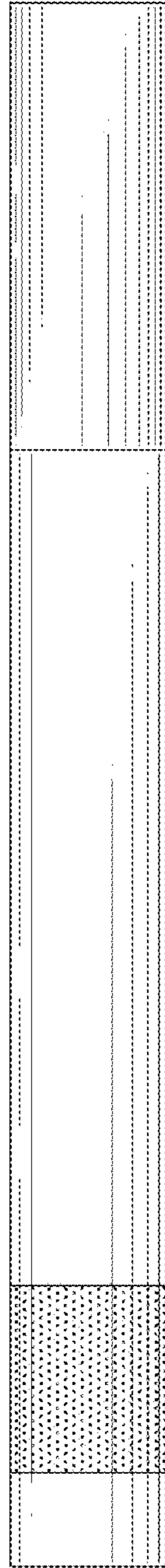


FIG. 14

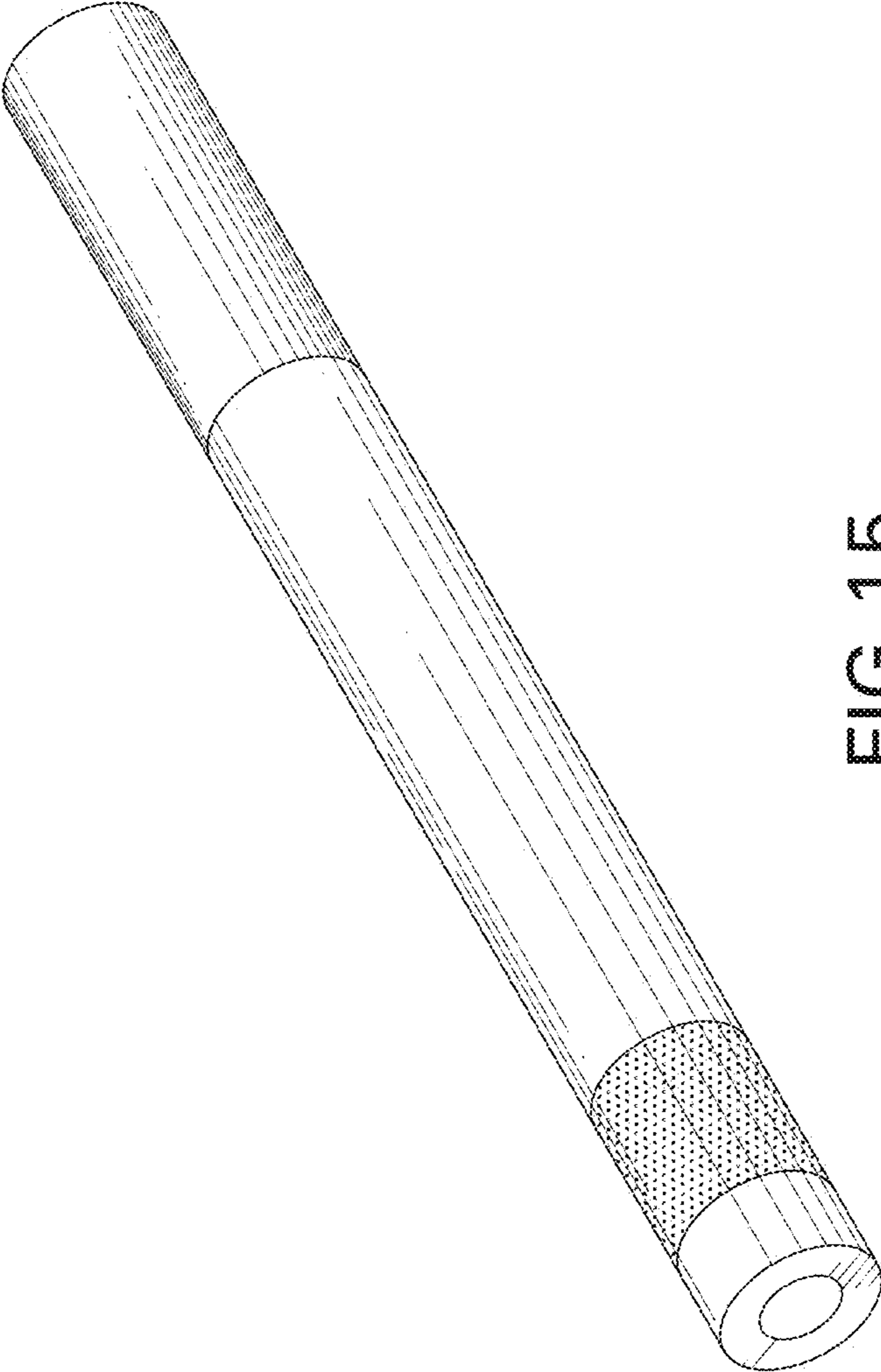


FIG. 15

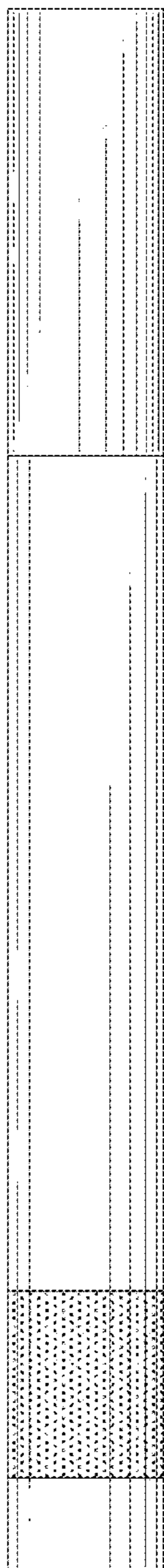


FIG. 16

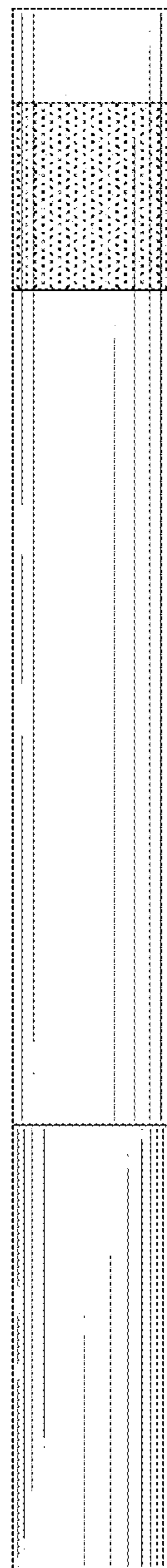


FIG. 17



FIG. 18

FIG. 19

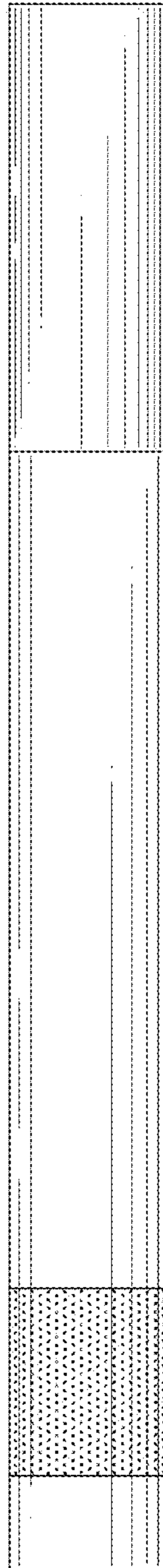


FIG. 20

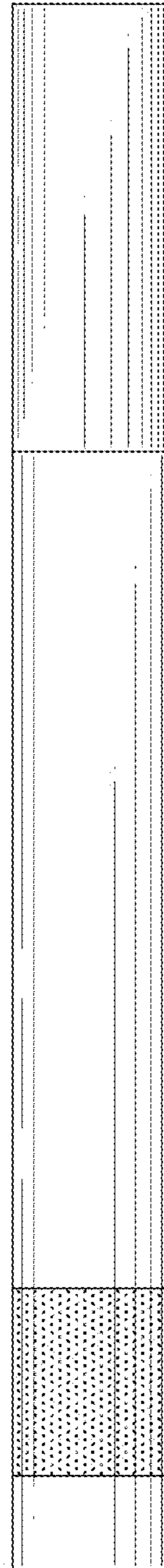


FIG. 21

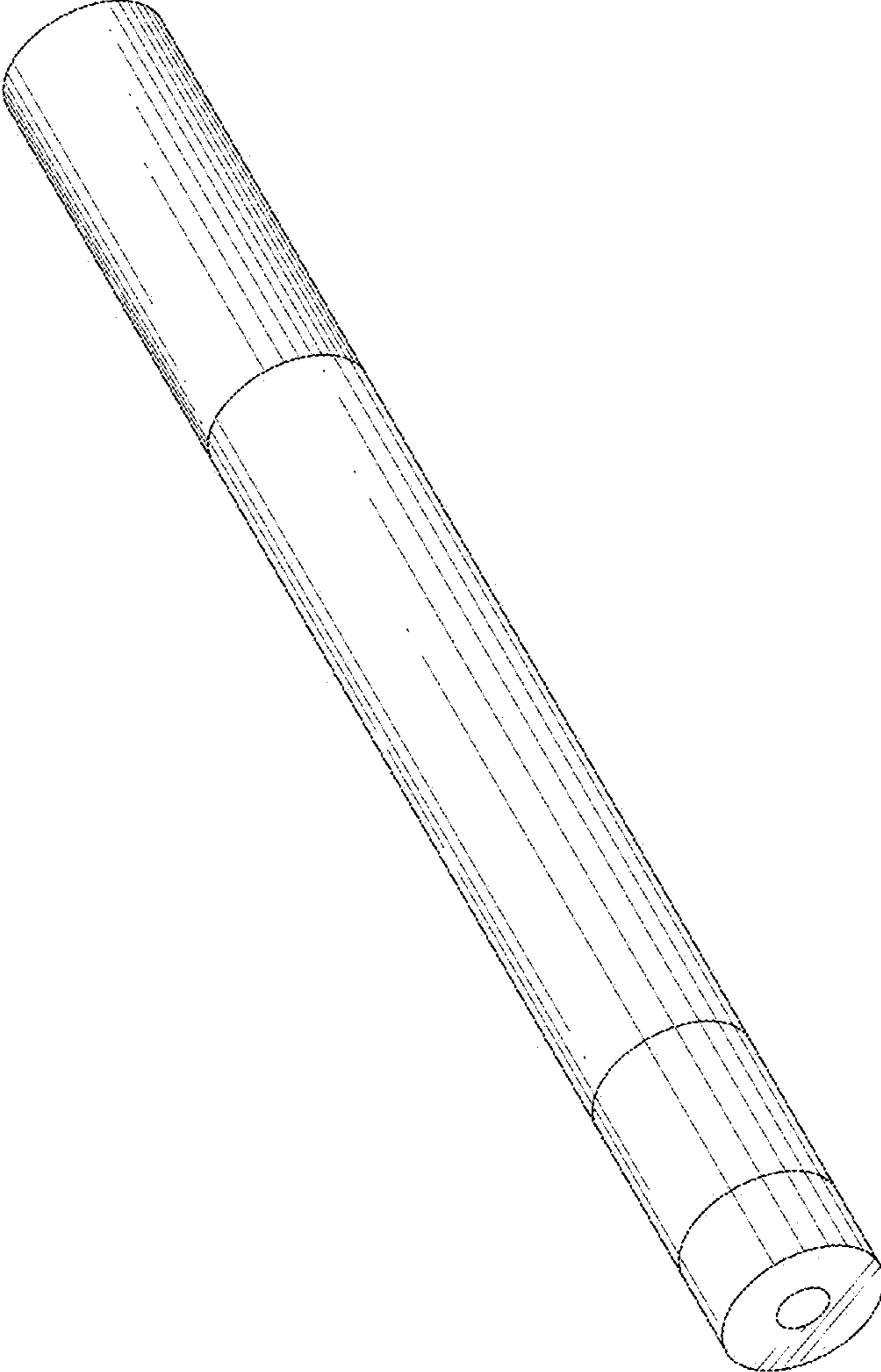


FIG. 22

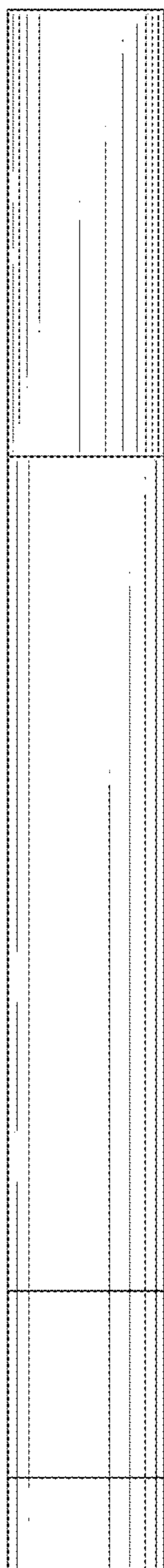


FIG. 23

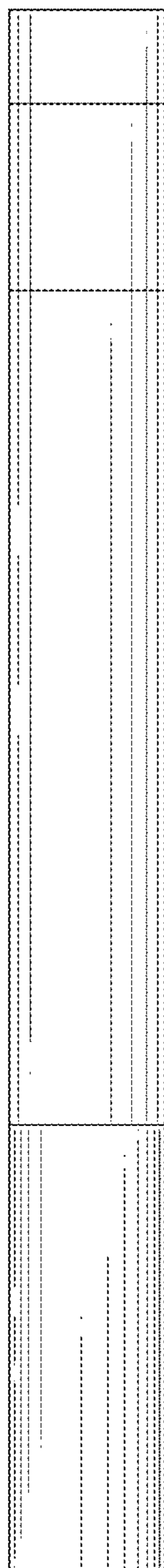


FIG. 24



FIG. 25

FIG. 26

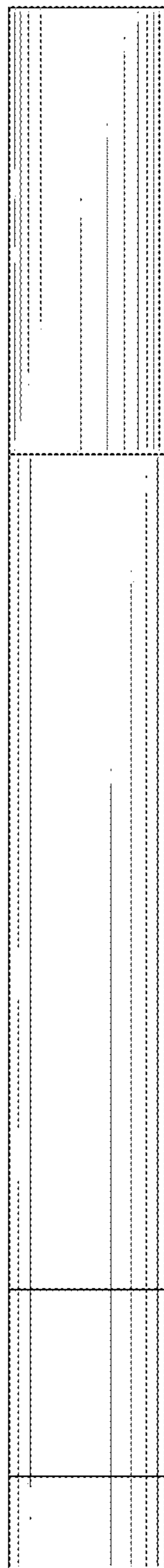


FIG. 27

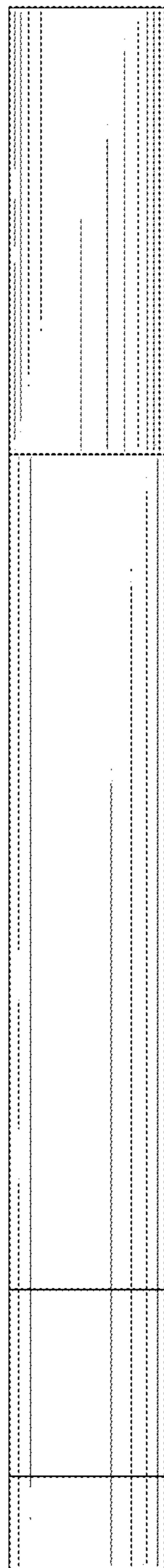


FIG. 28

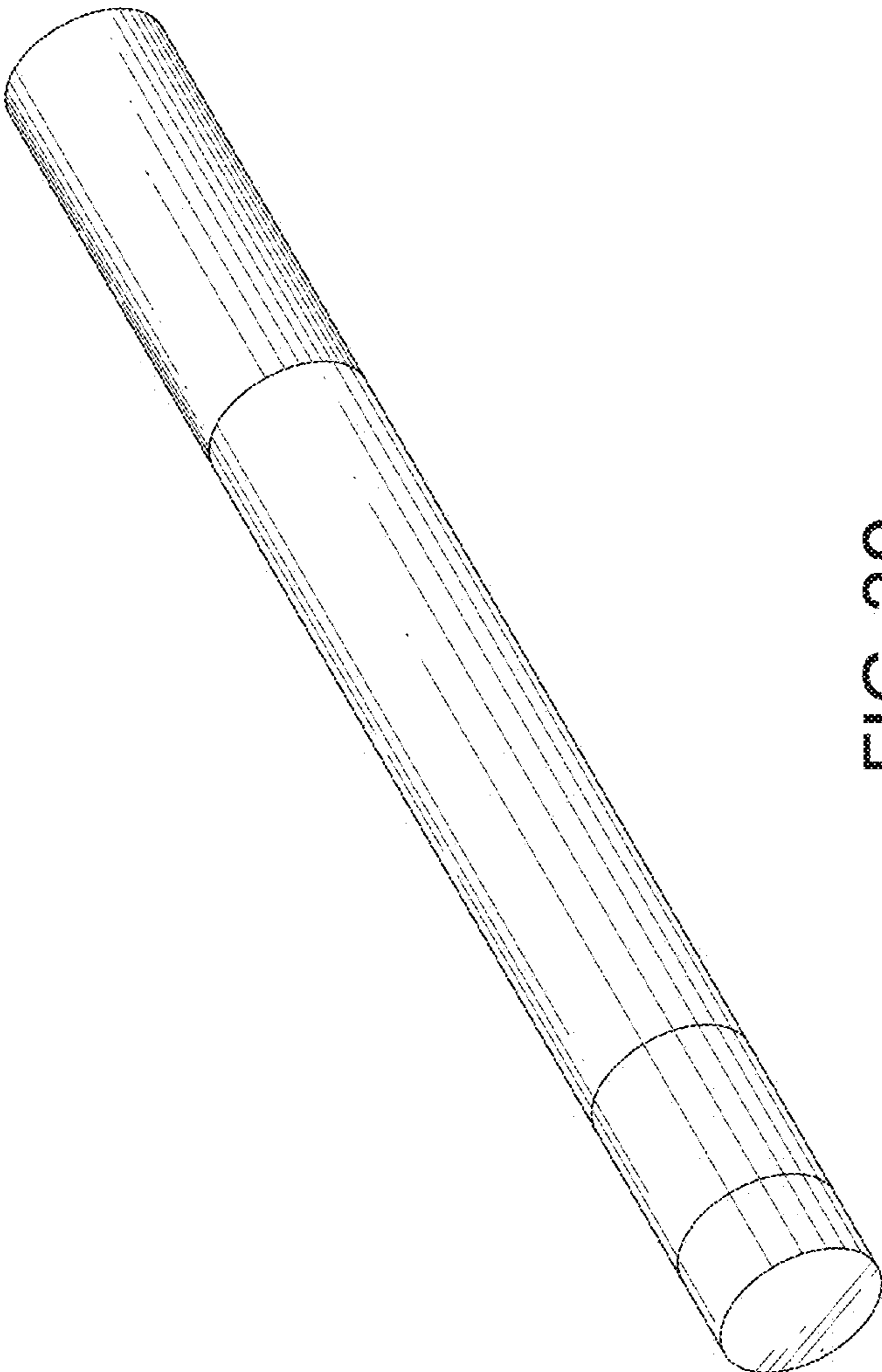


FIG. 29

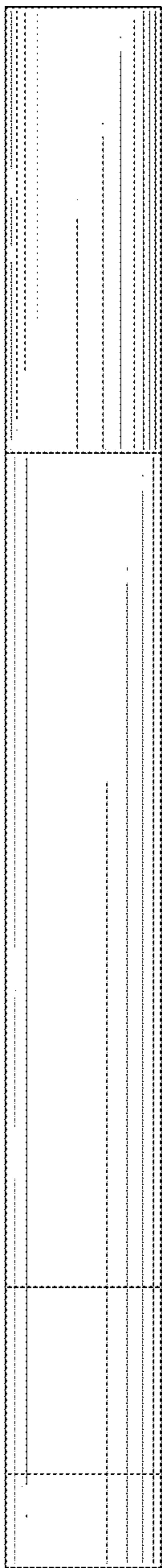


FIG. 30

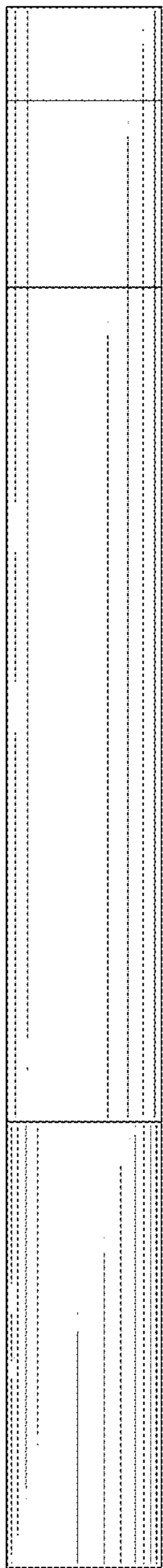


FIG. 31



FIG. 32

FIG. 33

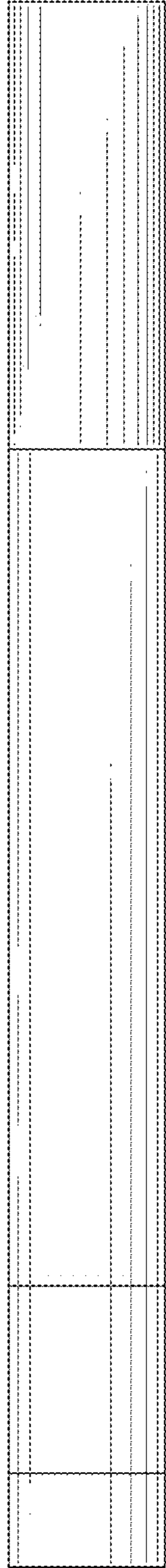


FIG. 34

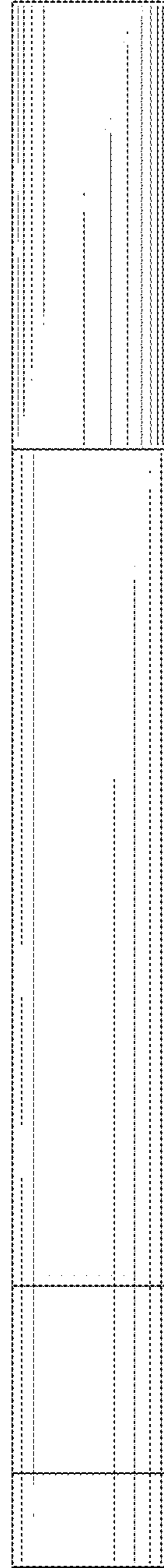


FIG. 35

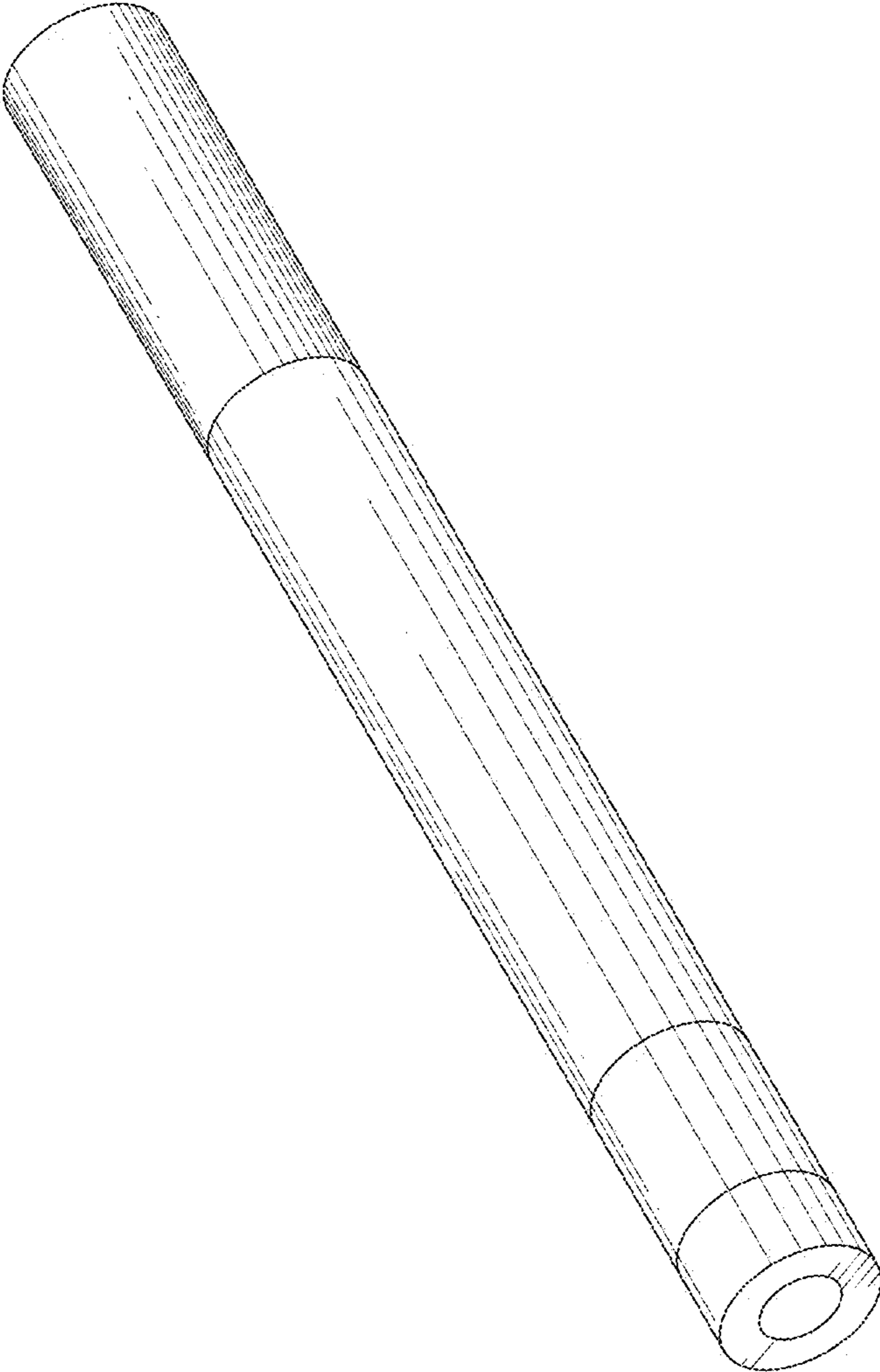


FIG. 36

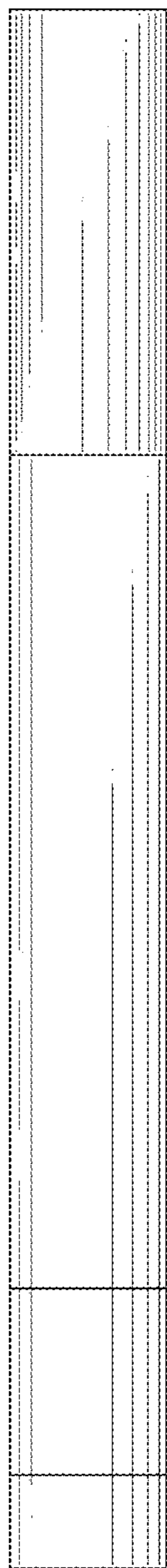


FIG. 37

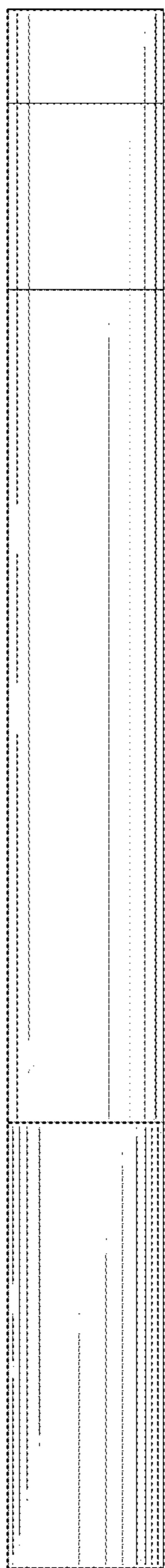


FIG. 38



FIG. 39

FIG. 40

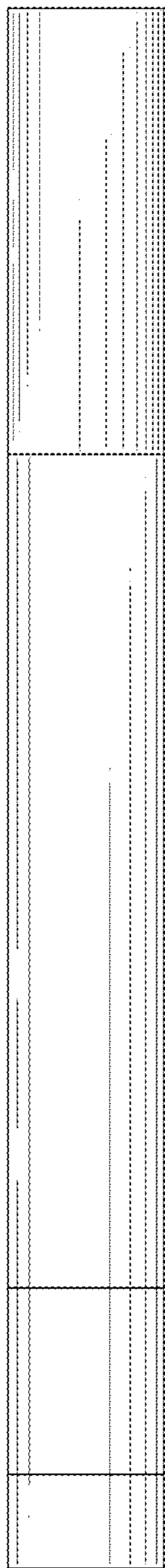


FIG. 41

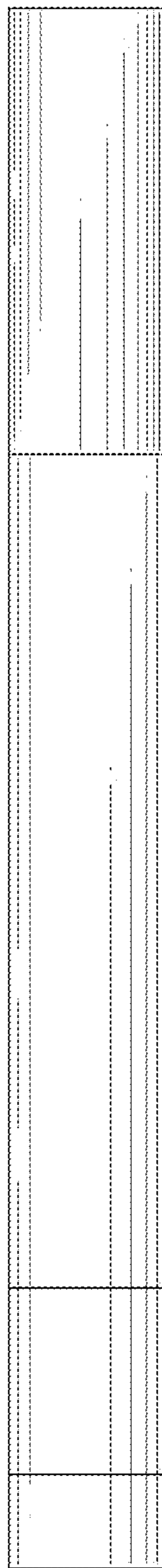


FIG. 42