



US00D739596S

(12) **United States Design Patent**
Coman et al.

(10) **Patent No.:** **US D739,596 S**

(45) **Date of Patent:** **** Sep. 22, 2015**

(54) **REAR MARKER LAMP BEZEL FOR A RECREATIONAL VEHICLE**

CPC B62J 6/00; B62J 17/202; B60Q 1/26
See application file for complete search history.

(71) Applicant: **Global Caravan Technologies, Inc.**,
Speedway, IN (US)

(56) **References Cited**

(72) Inventors: **Sorin Coman**, Waterford, MI (US);
Dianna L. Sabo, Walled Lake, MI (US);
Kyle T. Robie, Royal Oak, MI (US);
Julian S. Hana, West Bloomfield, MI
(US); **Nicholas R. Heinz**, Indianapolis,
IN (US)

U.S. PATENT DOCUMENTS

D440,694 S * 4/2001 Jeffries D26/139
D481,161 S * 10/2003 Hoyle D26/139
D604,893 S * 11/2009 Woolley et al. D26/139
D665,109 S * 8/2012 Platto et al. D26/28
D716,976 S * 11/2014 Merovitz et al. D26/28

* cited by examiner

(73) Assignee: **Global Caravan Technologies, Inc.**,
Indianapolis, IN (US)

Primary Examiner — Ralf Seifert

(74) *Attorney, Agent, or Firm* — Kyle S. Brant

(**) Term: **14 Years**

(57) **CLAIM**

The ornamental design for a rear marker lamp bezel for a recreational vehicle, as shown and described.

(21) Appl. No.: **29/484,092**

DESCRIPTION

(22) Filed: **Mar. 6, 2014**

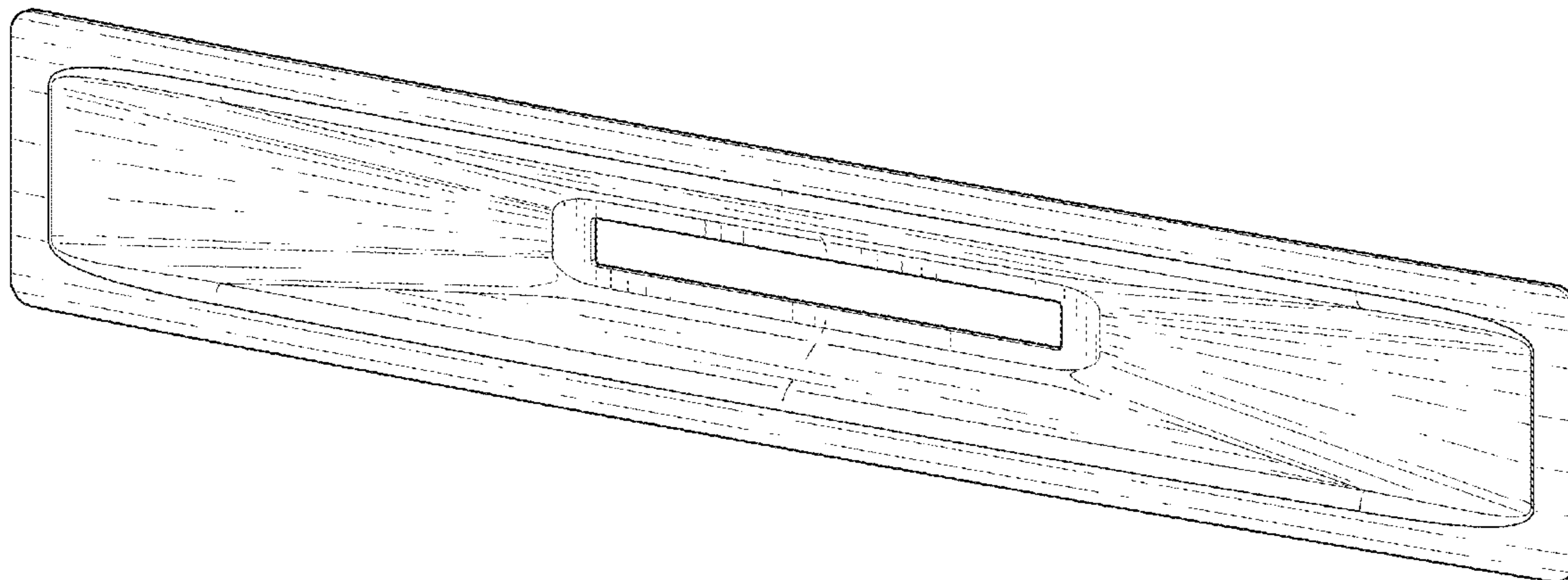
(51) **LOC (10) Cl.** **26-99**

(52) **U.S. Cl.**
USPC **D26/139**

(58) **Field of Classification Search**
USPC D26/139, 28, 31, 34, 36, 140, 121;
362/341, 473, 475, 523, 84, 459-468,
362/485-487, 478, 494

FIG. 1 is a perspective view of a rear marker lamp bezel for a recreational vehicle showing our new design.
FIG. 2 is a front elevation view thereof.
FIG. 3 is a right side elevation view thereof; and,
FIG. 4 is a plan view thereof.

1 Claim, 2 Drawing Sheets



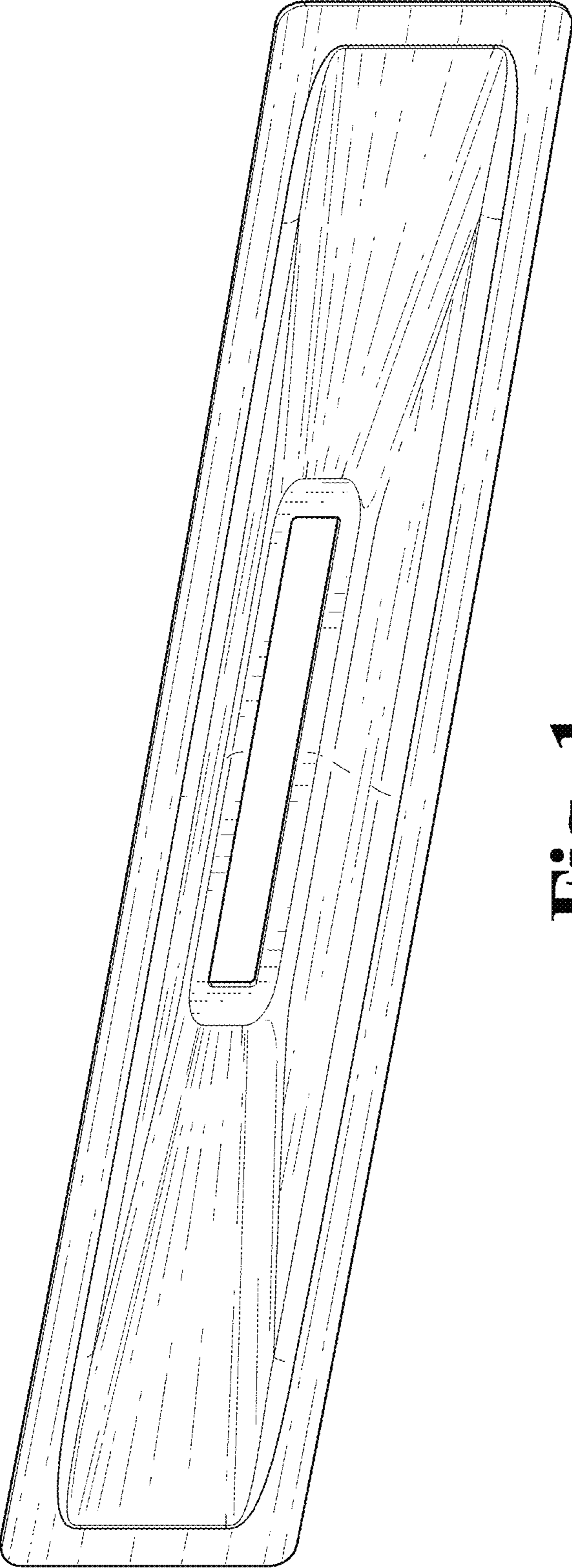


Fig. 1



Fig. 3

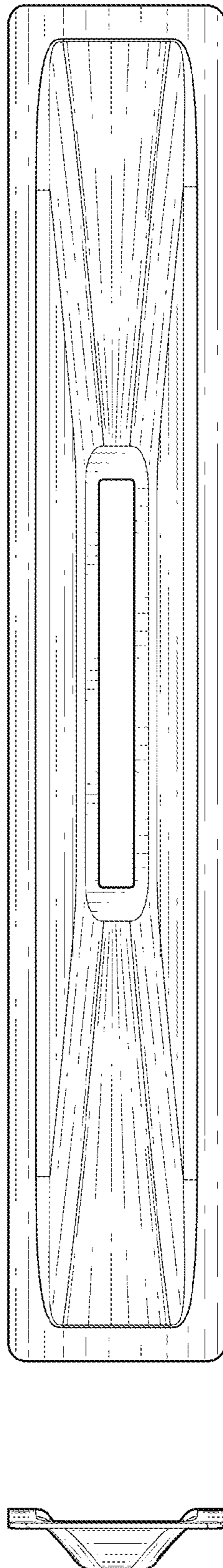


Fig. 2

Fig. 4