



US00D739595S

(12) **United States Design Patent**  
**Reynolds**

(10) **Patent No.:** **US D739,595 S**  
(45) **Date of Patent:** **\*\* Sep. 22, 2015**

(54) **HORTICULTURE GROW LIGHT HOUSING**

4,531,180 A 7/1985 Hernandez  
4,933,821 A 6/1990 Anderson  
4,939,629 A 7/1990 Glanton et al.

(71) Applicant: **IP HOLDINGS, LLC**, Vancouver, WA  
(US)

(Continued)

(72) Inventor: **Christopher Reynolds**, Vancouver, WA  
(US)

**FOREIGN PATENT DOCUMENTS**

(73) Assignee: **IP Holdings, LLC**, Vancouver, WA (US)

CA 2034710 8/1991  
CA 1314529 3/1993

(\*\*) Term: **14 Years**

(Continued)

(21) Appl. No.: **29/500,346**

**OTHER PUBLICATIONS**

(22) Filed: **Aug. 25, 2014**

250 or 400 Watt—Sun System Digital—Grow Light Reflector Kit, 1000Bulbs.com, first reviewed on Apr. 15, 2013, online. Site visited Jan. 27, 2015. Internet URL:<“https://www.1000bulbs.com/product/89285/SUN-900514.html”>.\*

(Continued)

**Related U.S. Application Data**

(63) Continuation of application No. 29/460,230, filed on Jul. 9, 2013, now abandoned.

(51) **LOC (10) Cl.** ..... **26-99**

(52) **U.S. Cl.**

USPC ..... **D26/118**

(58) **Field of Classification Search**

USPC ..... D26/25–26, 28, 51, 55–57, 59–64, 66, D26/72–91, 93, 113, 118–120, 122, 138, D26/140–142; 362/145–148, 150–153, 362/153.1, 217.01, 217.02, 217.05–217.07, 362/217.1, 217.15, 218, 223, 241, 249.02, 362/296.07, 296.08, 294, 299, 311.02, 362/341–345, 362, 373, 563, 580, 600, 608, 362/609, 640, 641, 805; D11/142, 143, D11/144, 155

See application file for complete search history.

*Primary Examiner* — Cynthia Ramirez

*Assistant Examiner* — Llorellys Martinez-Rivera

(74) *Attorney, Agent, or Firm* — J. Douglas Wells

(57) **CLAIM**

The ornamental design for a horticulture grow light housing, as shown and described.

**DESCRIPTION**

FIG. 1 is a front bottom view of a horticulture grow light housing showing my new design;

FIG. 2 is a top rear perspective view thereof;

FIG. 3 is a left side view thereof;

FIG. 4 is a right side view thereof;

FIG. 5 is a rear elevation view thereof;

FIG. 6 is a front elevation view thereof;

FIG. 7 is a bottom view thereof; and,

FIG. 8 is top view thereof.

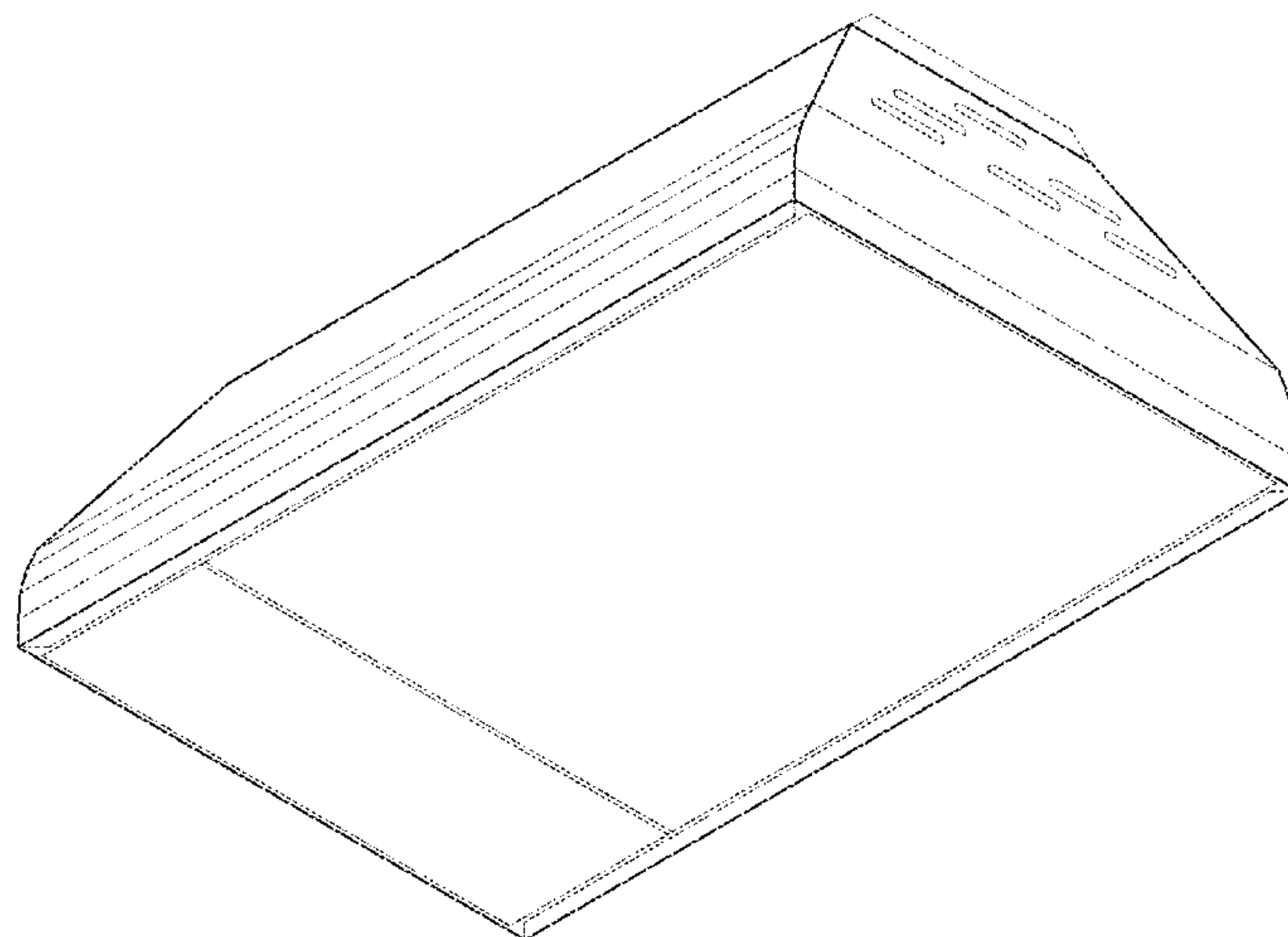
The broken lines in the drawings represent portions of the horticulture grow light housing which form no part of the claimed design.

(56) **References Cited**

**U.S. PATENT DOCUMENTS**

D106,614 S \* 10/1937 Waterbury ..... D26/91  
D123,768 S 12/1940 Scribner  
3,272,978 A 9/1966 Jackson

**1 Claim, 7 Drawing Sheets**



(56)

References Cited

U.S. PATENT DOCUMENTS

D311,597 S 10/1990 Poot  
 4,970,428 A 11/1990 Hayakawa et al.  
 4,980,809 A 12/1990 Baldwin et al.  
 5,065,294 A 11/1991 Poot, Jr.  
 5,461,554 A 10/1995 Leonetti et al.  
 5,486,737 A 1/1996 Hrubowchak et al.  
 5,510,676 A 4/1996 Cottaar et al.  
 5,698,947 A 12/1997 Choi  
 5,896,004 A 4/1999 Feldman et al.  
 5,983,564 A 11/1999 Stragnola  
 5,987,697 A 11/1999 Song et al.  
 D419,248 S \* 1/2000 Lyons ..... D26/28  
 6,042,250 A 3/2000 Stragnola  
 6,051,927 A 4/2000 Graser et al.  
 6,076,944 A 6/2000 Maranon  
 6,094,919 A 8/2000 Bhatia  
 6,111,739 A 8/2000 Wu et al.  
 6,152,579 A 11/2000 Reed et al.  
 6,230,497 B1 5/2001 Morris et al.  
 6,343,984 B1 2/2002 Langdon et al.  
 D456,938 S 5/2002 Wardenburg  
 D459,825 S 7/2002 Field  
 D469,564 S 1/2003 Brok  
 6,527,422 B1 3/2003 Hutchison  
 6,595,662 B2 7/2003 Wardenburg  
 6,601,972 B2 8/2003 Sei et al.  
 6,729,383 B1 5/2004 Cannell et al.  
 6,783,263 B1 8/2004 Cronk  
 6,885,134 B2 4/2005 Kurashima et al.  
 7,156,539 B2 1/2007 Cronk  
 7,175,309 B2 2/2007 Craw et al.  
 D542,460 S 5/2007 Hargreaves  
 D543,652 S 5/2007 Hargreaves  
 D543,654 S 5/2007 Hargreaves  
 D544,139 S 6/2007 Hargreaves  
 D544,626 S 6/2007 Hargreaves  
 D544,983 S 6/2007 Hargreaves  
 D544,984 S 6/2007 Hargreaves  
 D544,985 S 6/2007 Hargreaves  
 D544,987 S 6/2007 Hargreaves  
 D544,994 S 6/2007 Hargreaves  
 D544,995 S 6/2007 Hargreaves  
 D545,484 S 6/2007 Hargreaves  
 D545,994 S 7/2007 Hargreaves  
 7,524,090 B2 4/2009 Hargreaves  
 D603,087 S 10/2009 Mo et al.  
 7,617,057 B2 11/2009 May et al.  
 7,641,367 B2 1/2010 Hargreaves et al.  
 D614,801 S 4/2010 Collins et al.

7,722,228 B2 5/2010 Broer  
 D617,028 S \* 6/2010 Verfueth et al. .... D26/75  
 7,854,534 B2 \* 12/2010 Liu ..... 362/294  
 D634,060 S 3/2011 Wardenburg  
 D634,240 S \* 3/2011 Junkeer ..... D11/155  
 D634,468 S 3/2011 Hargreaves  
 D634,469 S 3/2011 Hargreaves  
 D637,341 S \* 5/2011 Wardenburg ..... D26/118  
 D637,752 S 5/2011 Mekhtarian  
 7,972,044 B2 7/2011 Burkhauser  
 7,987,632 B2 8/2011 May et al.  
 8,018,630 B2 9/2011 Herloski  
 D648,652 S \* 11/2011 Hawkins ..... D11/155  
 8,209,912 B2 7/2012 Hargreaves et al.  
 8,334,640 B2 12/2012 Reed et al.  
 D675,369 S 1/2013 Michaud  
 8,371,726 B2 2/2013 Collins et al.  
 D678,599 S 3/2013 Boyer et al.  
 D683,064 S 5/2013 Tuck  
 D710,528 S \* 8/2014 Wardenburg et al. .... D26/75  
 2005/0117333 A1 \* 6/2005 Yoshida et al. .... 362/147  
 2006/0231081 A1 10/2006 Kirakosyan  
 2007/0228993 A1 10/2007 Stuer et al.  
 2008/0205030 A1 8/2008 Hargreaves  
 2008/0205071 A1 8/2008 Townsley  
 2008/0278950 A1 11/2008 Pickard et al.  
 2009/0231840 A1 9/2009 Boehme et al.  
 2009/0262540 A1 10/2009 Hargreaves et al.  
 2010/0302768 A1 12/2010 Collins et al.  
 2013/0155685 A1 6/2013 Stanley

FOREIGN PATENT DOCUMENTS

EP 0325003 7/1989  
 EP 0440274 8/1991  
 WO 02063210 8/2002  
 WO 2008018000 2/2008  
 WO 2009096775 8/2009

OTHER PUBLICATIONS

Sun System LEC 315 120v Light Emitting Ceramic Metal Halide Fixture w/ Free Ratchet Light Hangers, Gardening Lawn Care2, published Feb. 6, 2013, online. Site visited Jan. 27, 2015. Internet URL:<“http://care2galaca.4c2hop.com/sun-system-lec-315-120v-light-emitting-ceramic-metal-halide-fixture-w-free-ratchet-light-hangers.html”>.\*  
 Pages 30, 91 and 99 from 2013 Dealer Catalog showing and describing Sun System Digital light fixture, published by Sunlight Supply, Inc. 2013.

\* cited by examiner

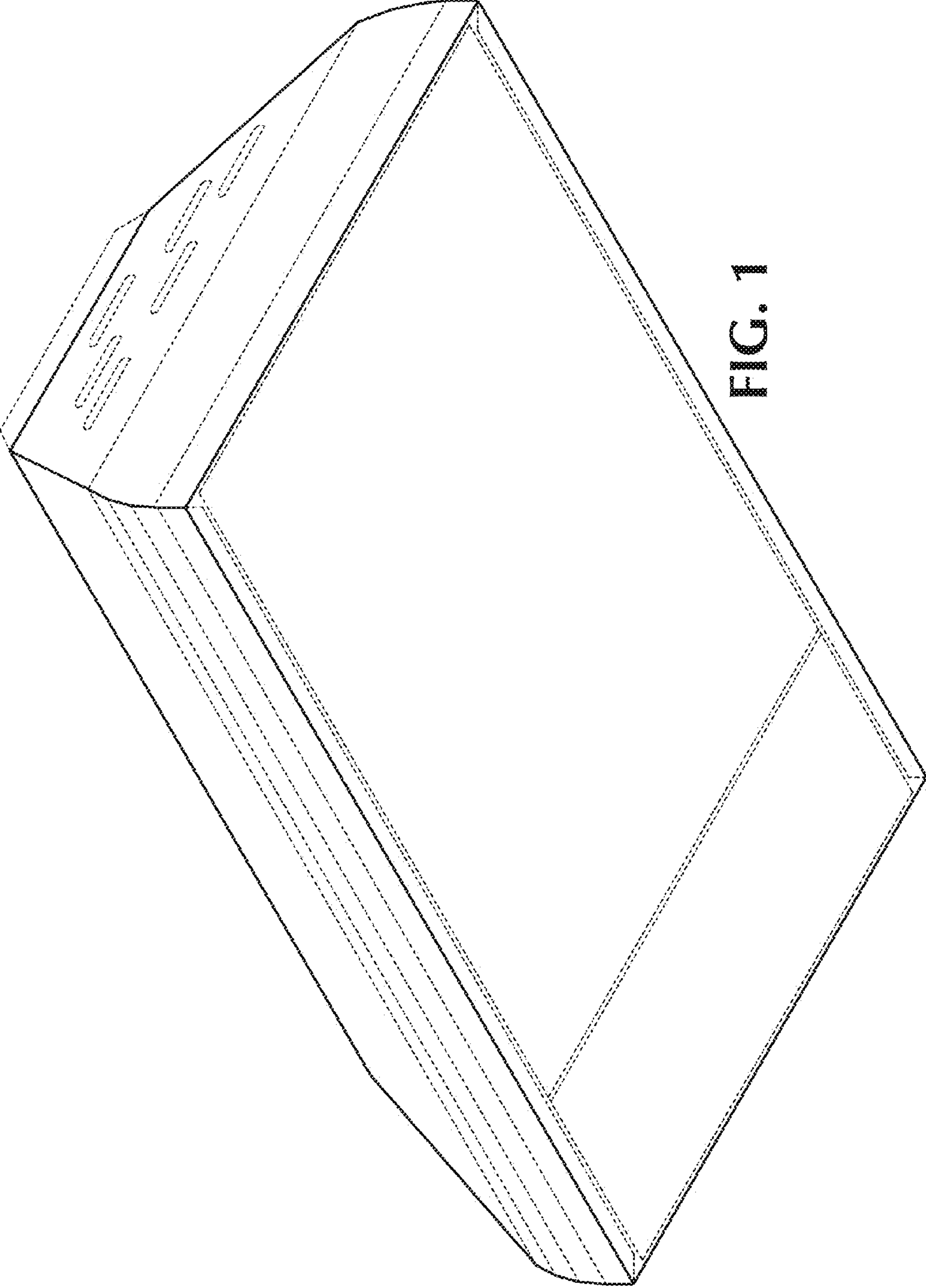


FIG. 1



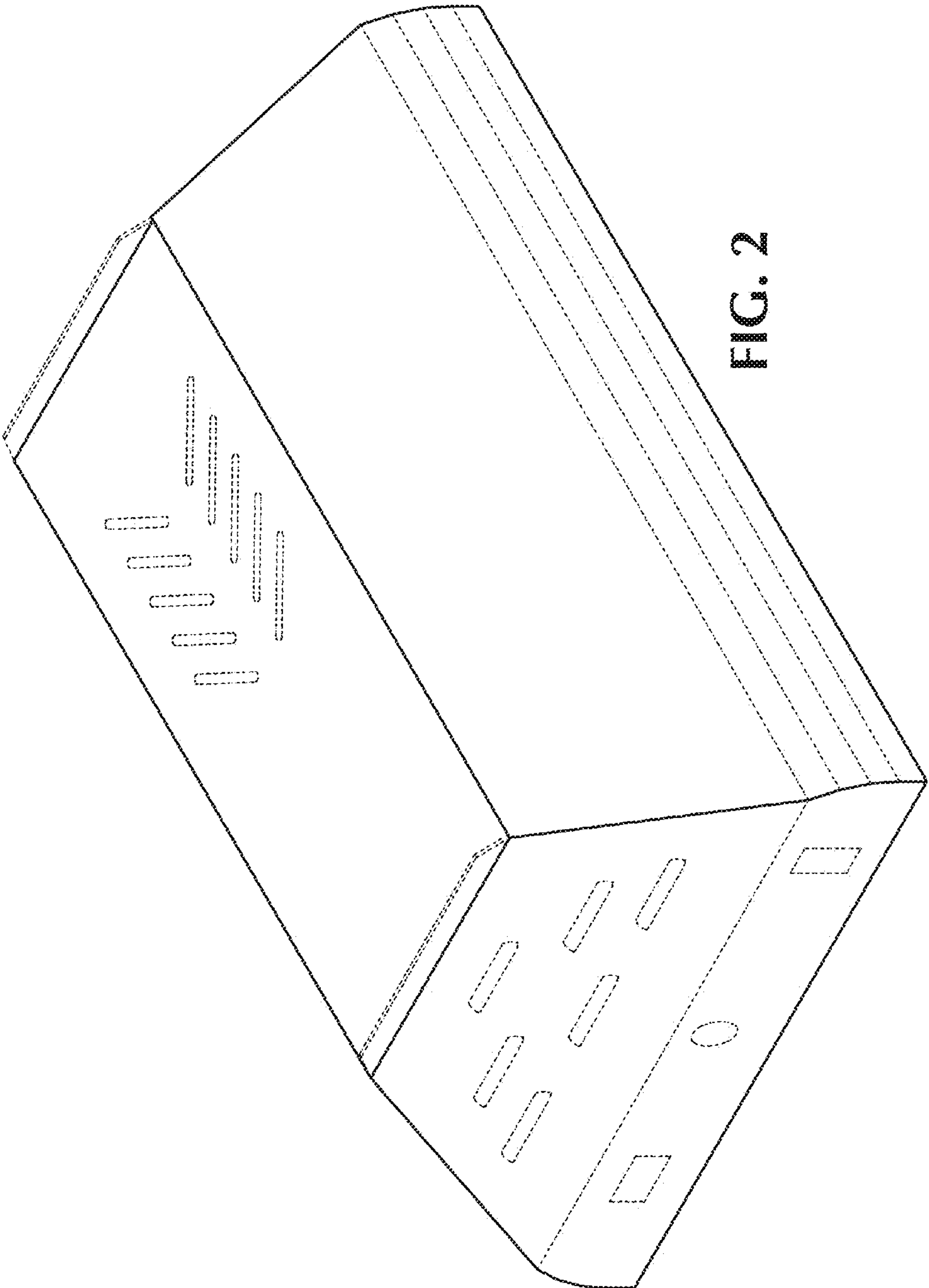


FIG. 2

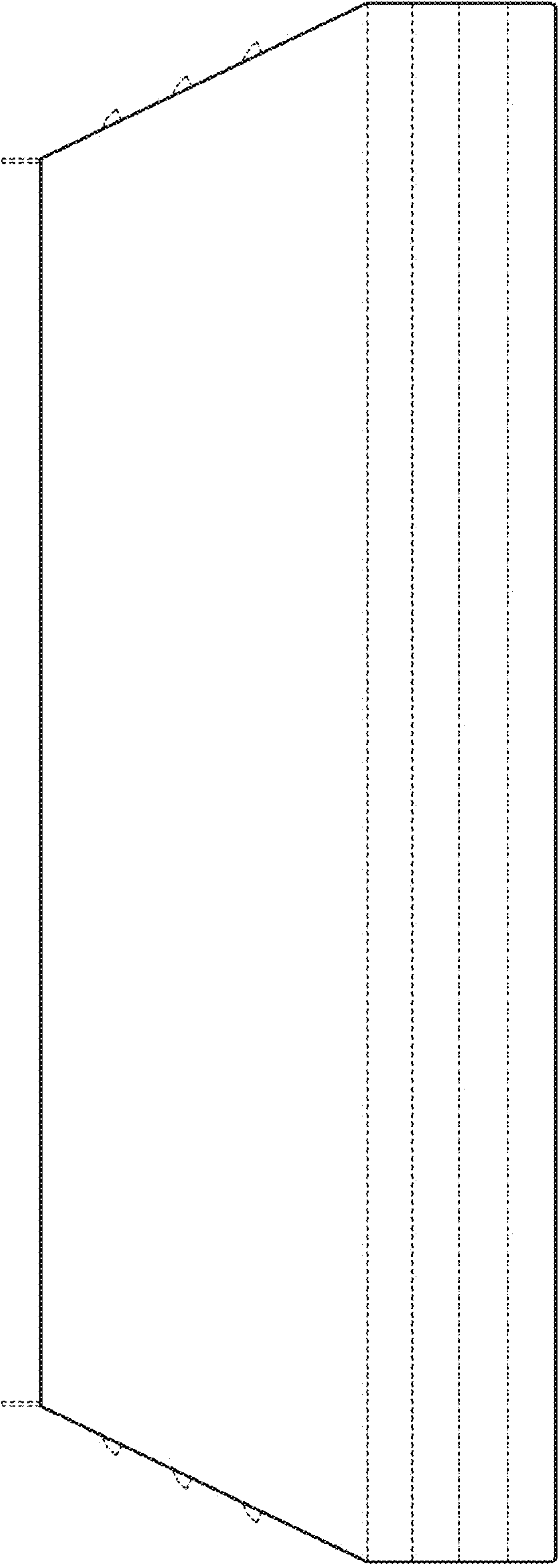


FIG. 3

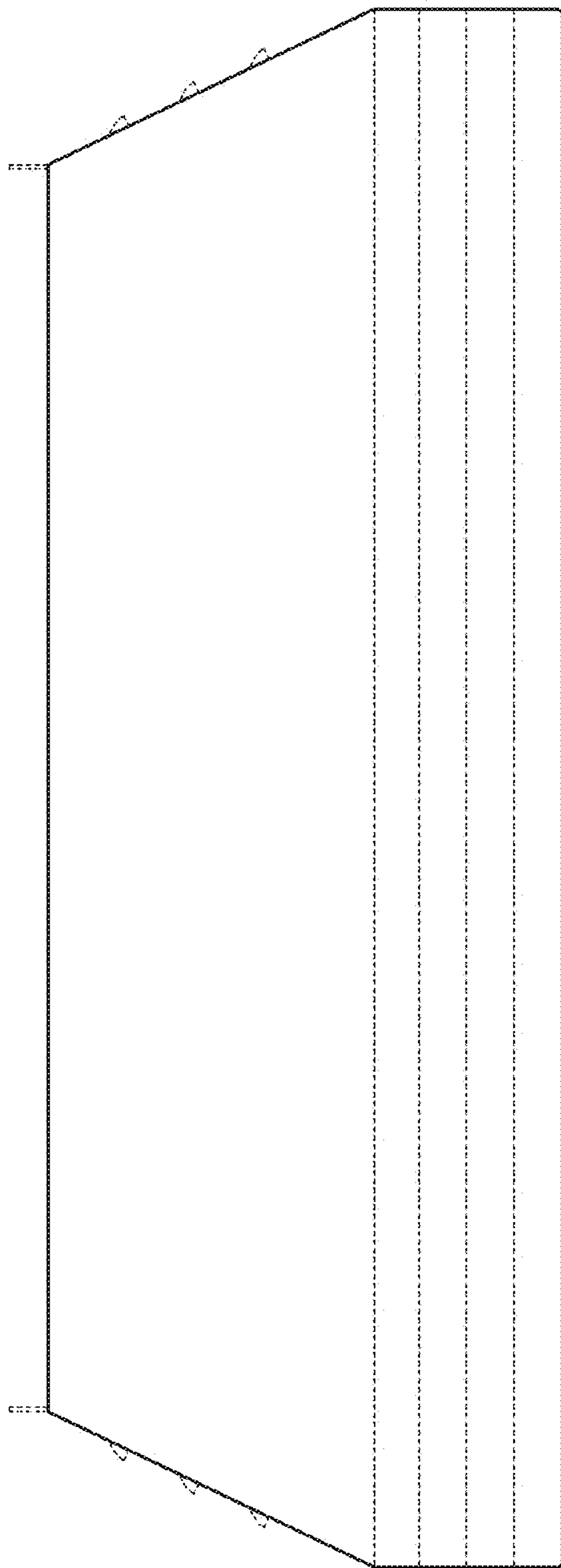
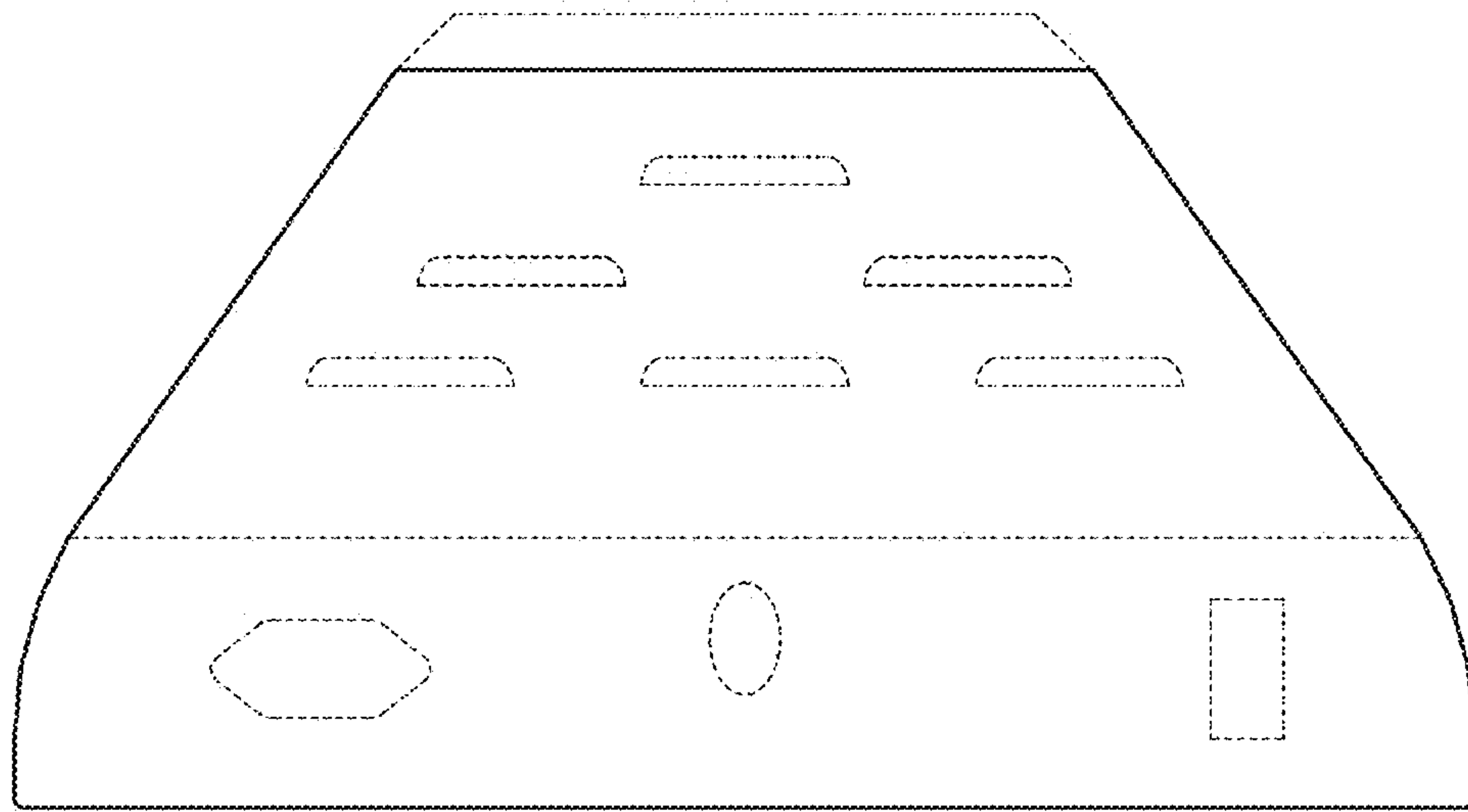
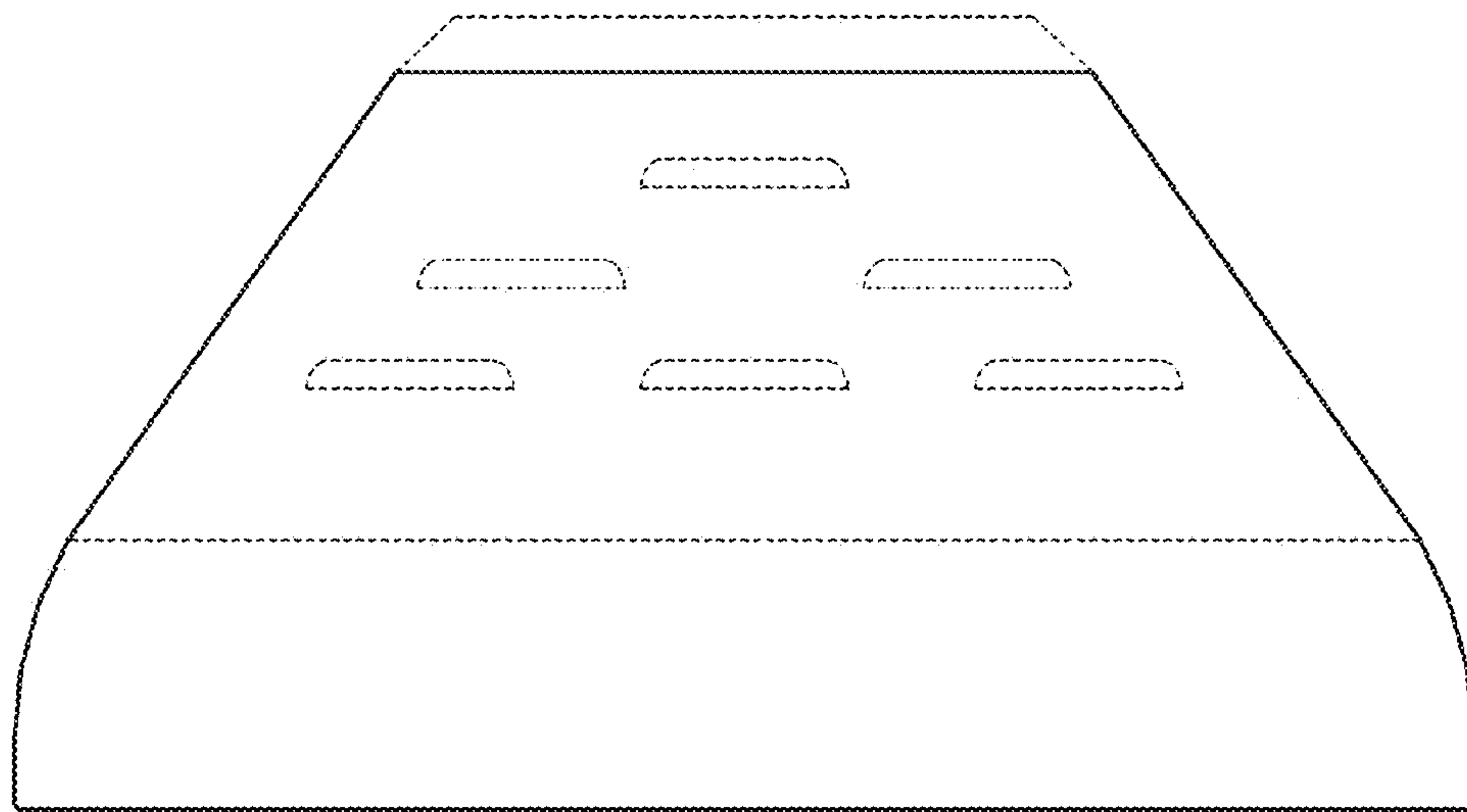


FIG. 4



**FIG. 5**



**FIG. 6**

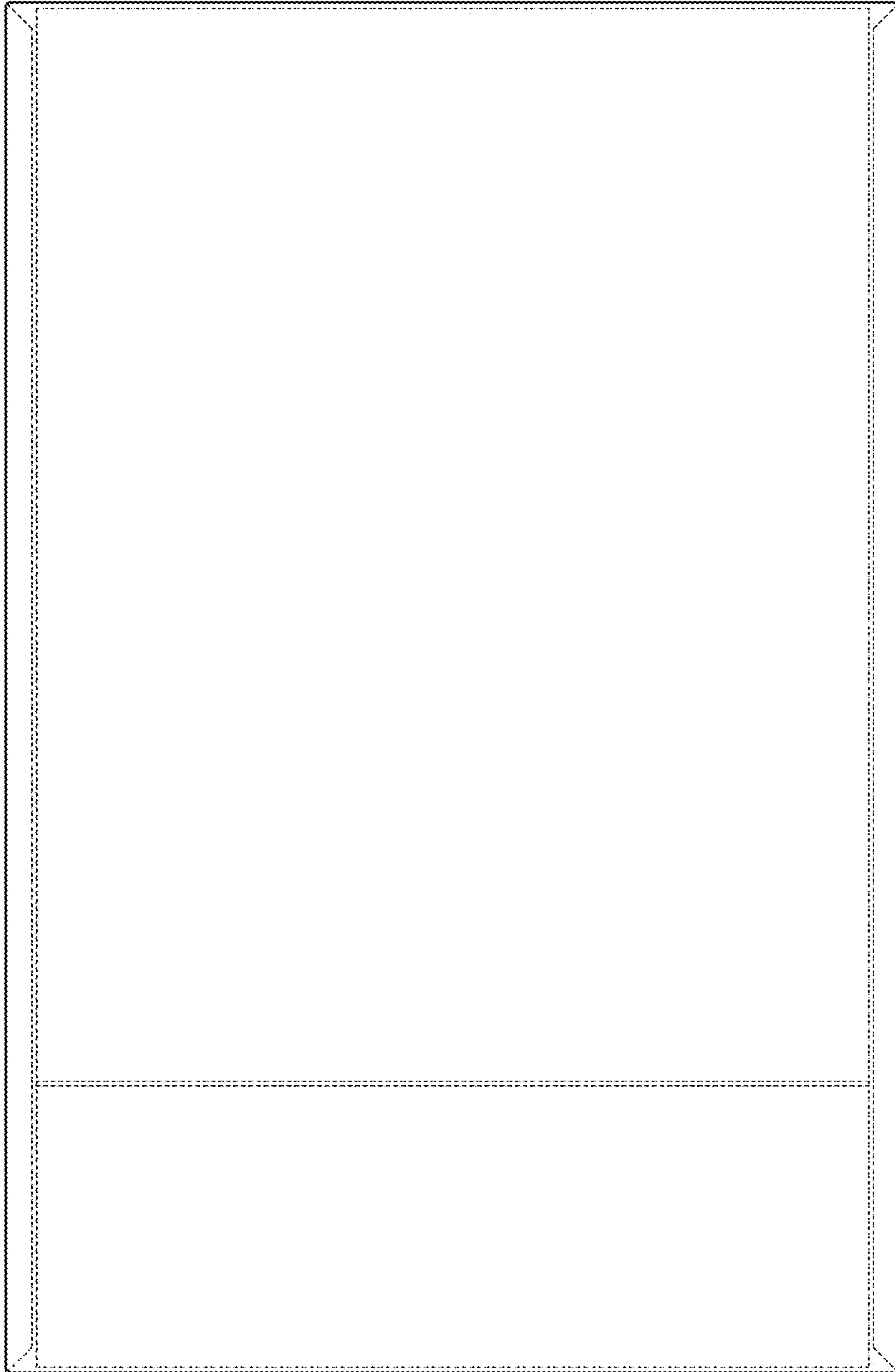


FIG. 7



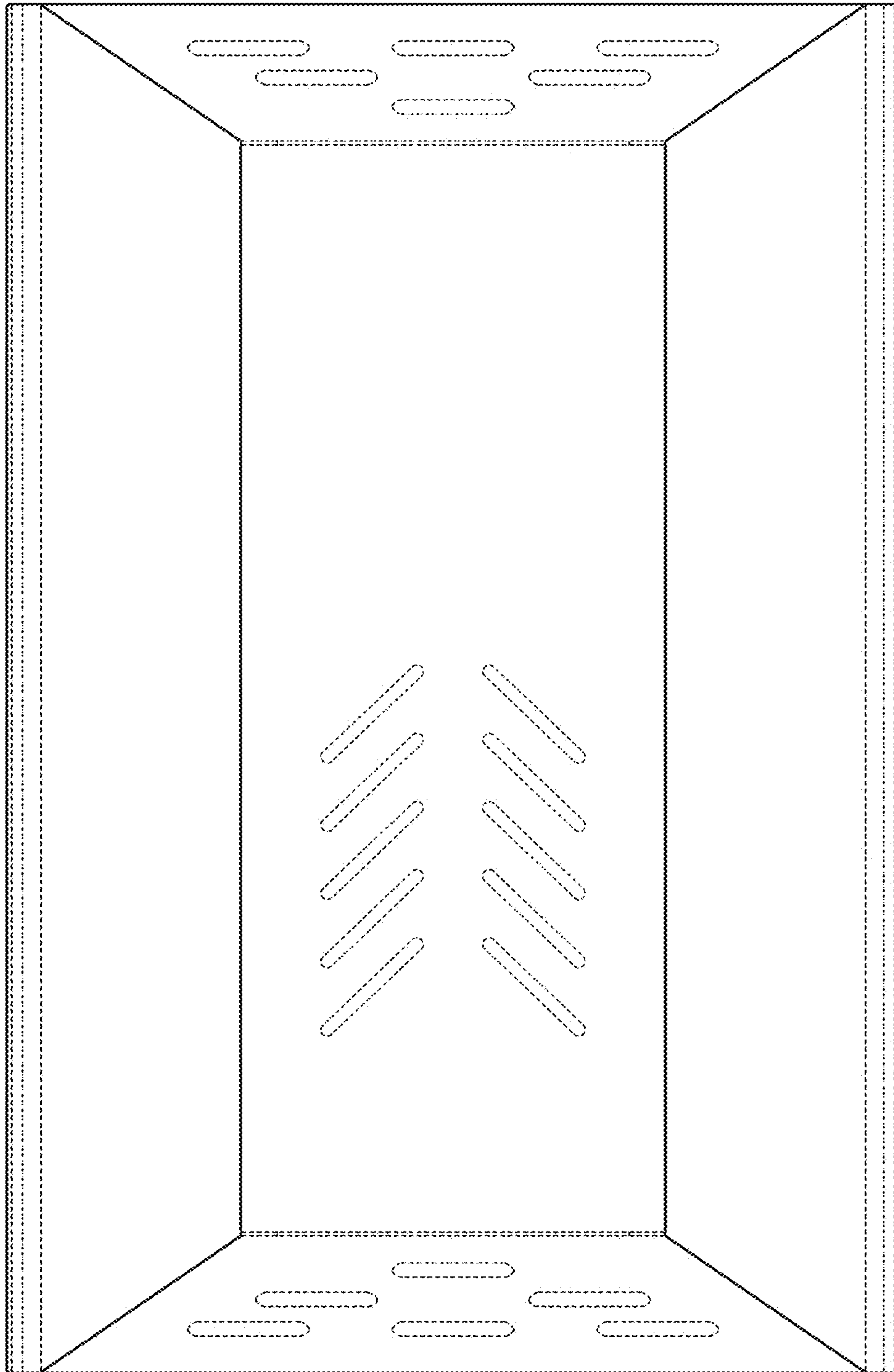


FIG. 8