

US00D739594S

(12) **United States Design Patent**
Adams et al.

(10) **Patent No.:** **US D739,594 S**
(45) **Date of Patent:** **** Sep. 22, 2015**

(54) **LIGHT FIXTURE**

(71) Applicants: **Stephen P. Adams**, Mesa, AZ (US); **Pete D. Sibitzky**, Lakeside, CA (US); **Johnathan J. Heiner**, Mesa, AZ (US)

(72) Inventors: **Stephen P. Adams**, Mesa, AZ (US); **Pete D. Sibitzky**, Lakeside, CA (US); **Johnathan J. Heiner**, Mesa, AZ (US)

(73) Assignee: **JST Performance, LLC**, Gilbert, AZ (US)

(**) Term: **14 Years**

(21) Appl. No.: **29/499,111**

(22) Filed: **Aug. 12, 2014**

(51) **LOC (10) Cl.** **26-99**

(52) **U.S. Cl.**
USPC **D26/118**

(58) **Field of Classification Search**
USPC D26/24, 26, 28, 29, 34, 37, 38, 43, 44, D26/51, 59, 60, 61, 63, 66, 67, 68, 72, 74, D26/76, 85, 86, 88, 89, 91, 113, 118, 119, D26/120, 122–124, 138, 140–146; 362/145–148, 150, 153, 153.1, 218, 362/249.01–249.05, 294, 296.01, 296.07, 362/296.08, 311.07, 311.09, 311.1, 345, 362/362, 364, 365, 366, 368, 370, 371, 373, 362/397, 418, 427, 428, 460, 473–476, 362/546–548
CPC F21S 8/00; F21S 8/022; F21S 8/03; F21V 21/04; F21V 21/048

See application file for complete search history.

(56) **References Cited**

U.S. PATENT DOCUMENTS

D300,570	S	*	4/1989	DeCandia	D26/63
D329,505	S	*	9/1992	Miller	D26/63
D539,945	S	*	4/2007	Egawa et al.	D26/24
D629,550	S	*	12/2010	Sandell	D26/63
D646,826	S	*	10/2011	Smith	D26/74
D656,258	S	*	3/2012	Georgitsis et al.	D26/31
D659,280	S	*	5/2012	Guercio et al.	D26/118
D676,990	S	*	2/2013	Adams	D26/31
D711,026	S	*	8/2014	Haumann	D26/31
D716,986	S	*	11/2014	Ng	D26/60
2011/0128737	A1	*	6/2011	Kim	362/249.03
2014/0346951	A1	*	11/2014	Adams et al.	315/77

* cited by examiner

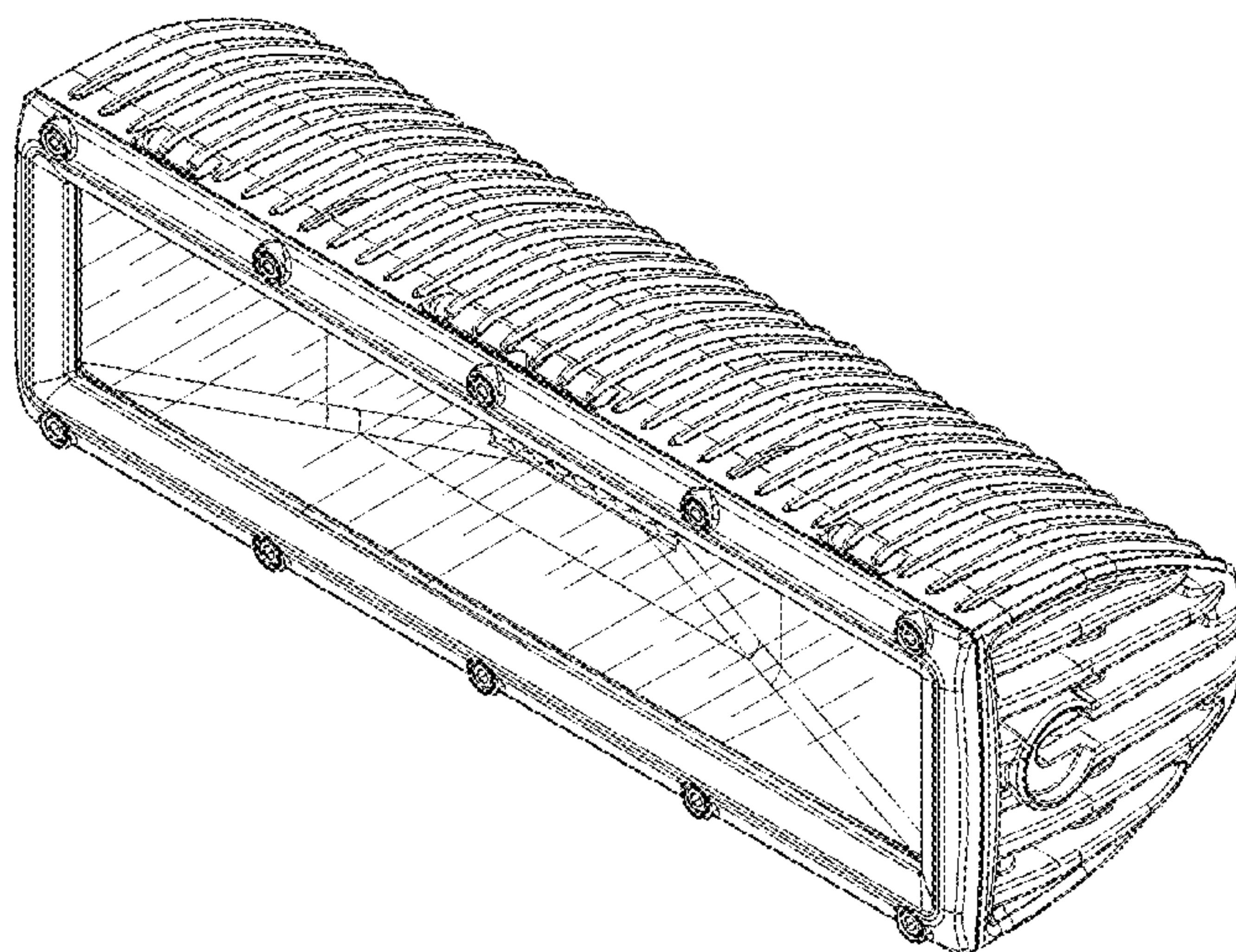
Primary Examiner — Cynthia Ramirez
Assistant Examiner — Llorellys Martinez-Rivera

(57) **CLAIM**
The ornamental design for a light fixture, as shown and described.

DESCRIPTION

FIG. 1 is a front, right, top perspective view of a light fixture showing our new design;
FIG. 2 is a front and left side top perspective view thereof;
FIG. 3 is a front and right side bottom perspective view thereof;
FIG. 4 is a front and left side bottom perspective view thereof;
FIG. 5 is a back and right side top perspective view thereof;
FIG. 6 is a back and left side top perspective view thereof;
FIG. 7 is a back and left side bottom perspective view thereof;
FIG. 8 is a back and right side bottom perspective view thereof;
FIG. 9 is a front side view thereof;
FIG. 10 is a back side view thereof;
FIG. 11 is a left side view thereof;
FIG. 12 is a right side view thereof;
FIG. 13 is a top view thereof; and
FIG. 14 is a bottom view thereof.

1 Claim, 14 Drawing Sheets



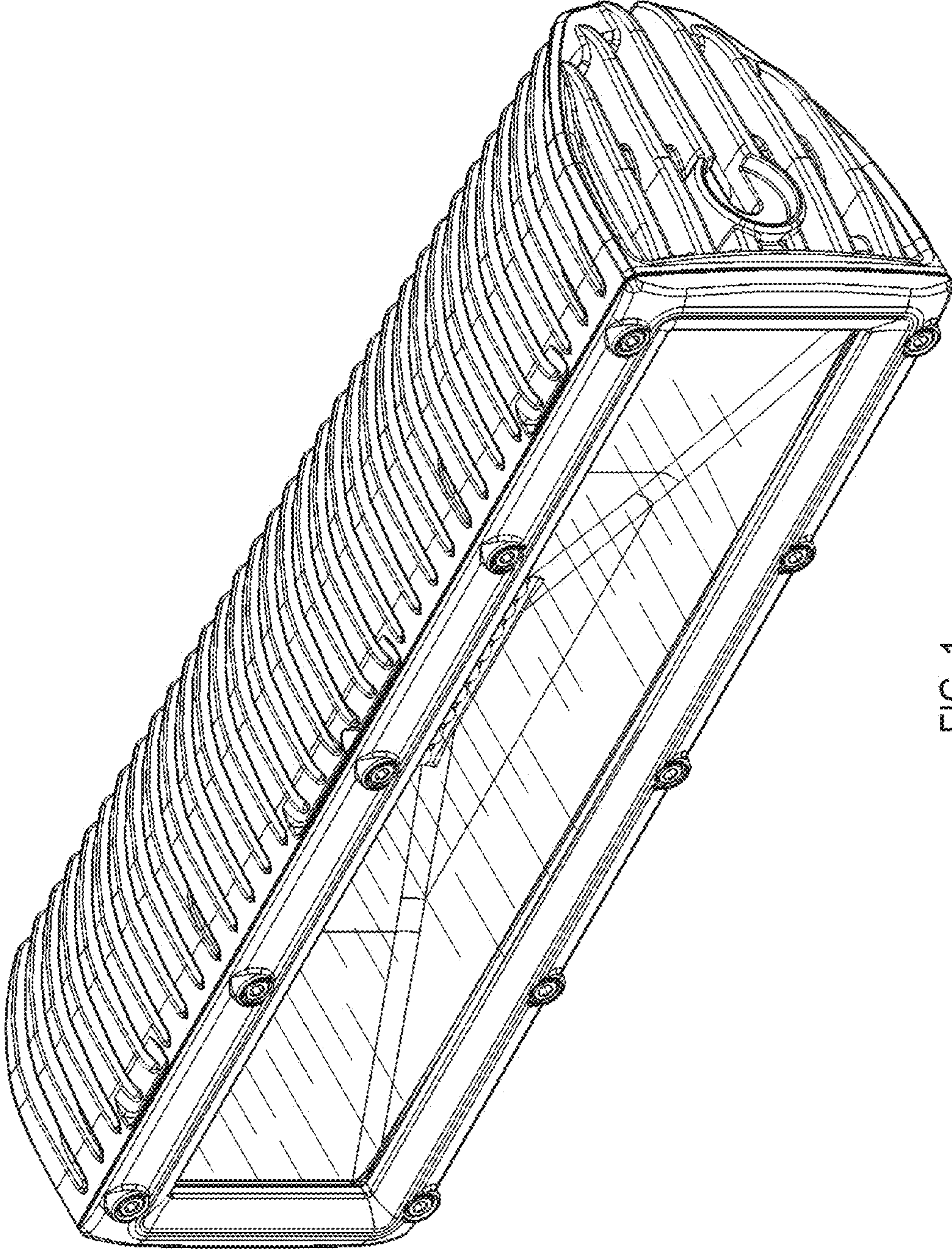


FIG. 1

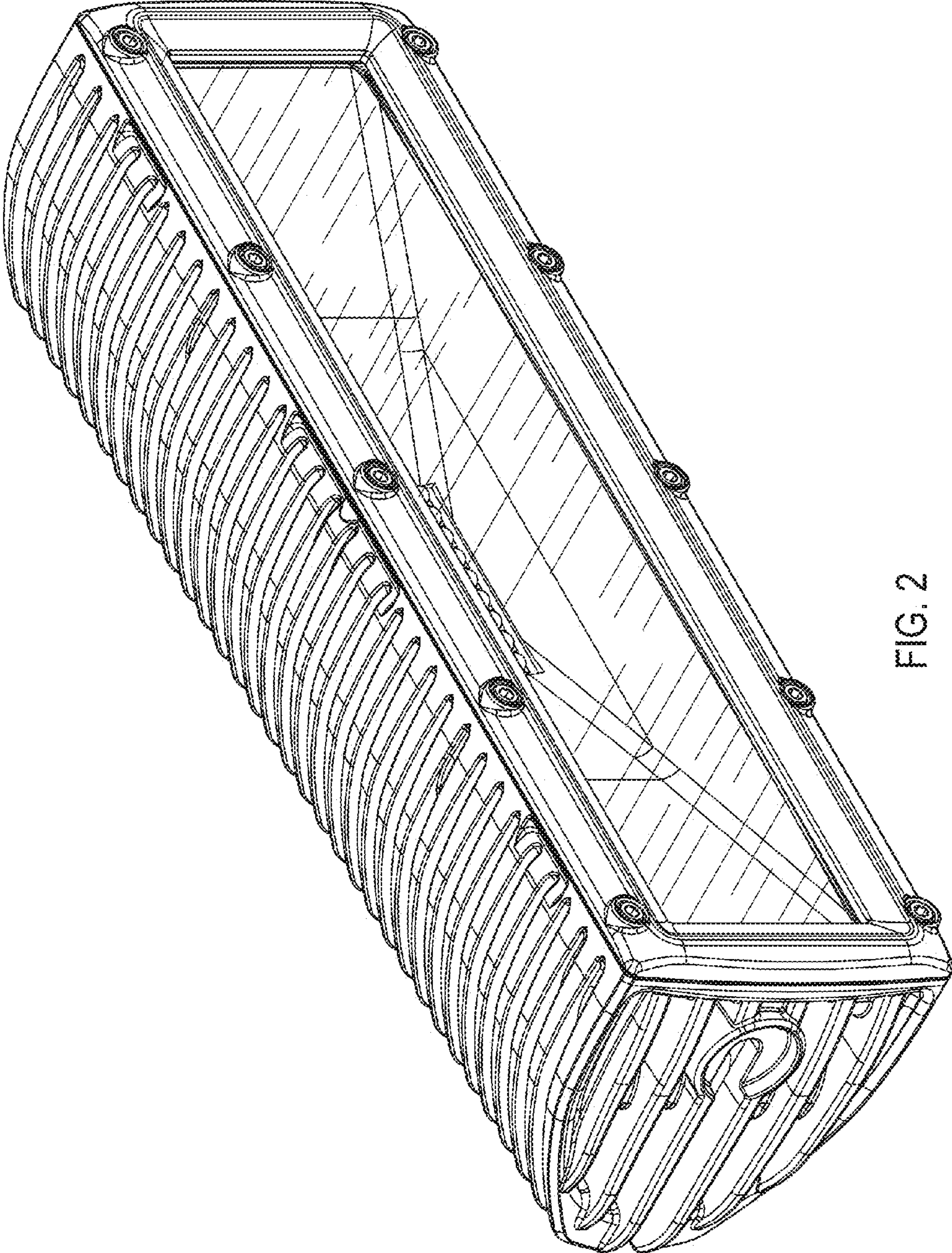


FIG. 2

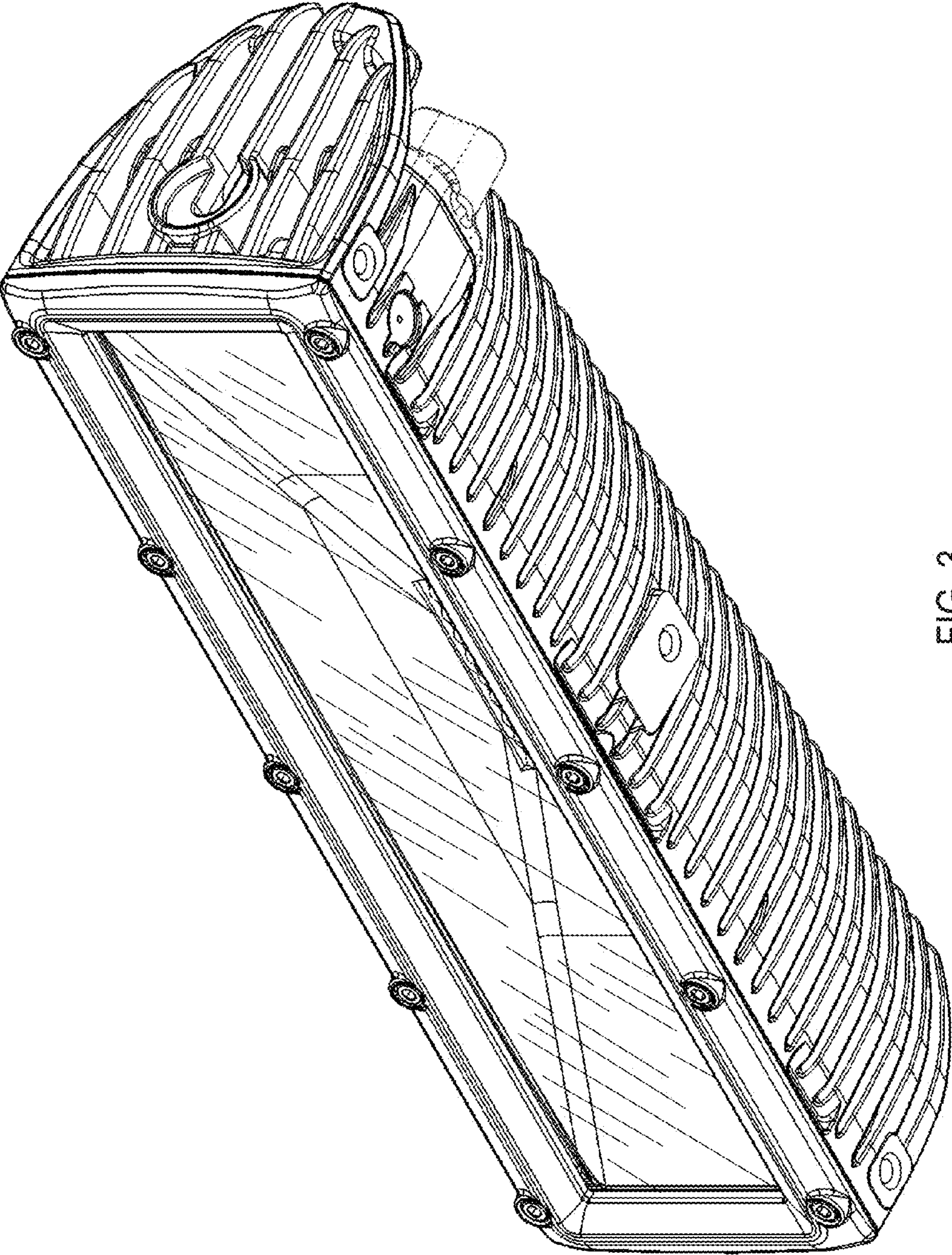


FIG. 3

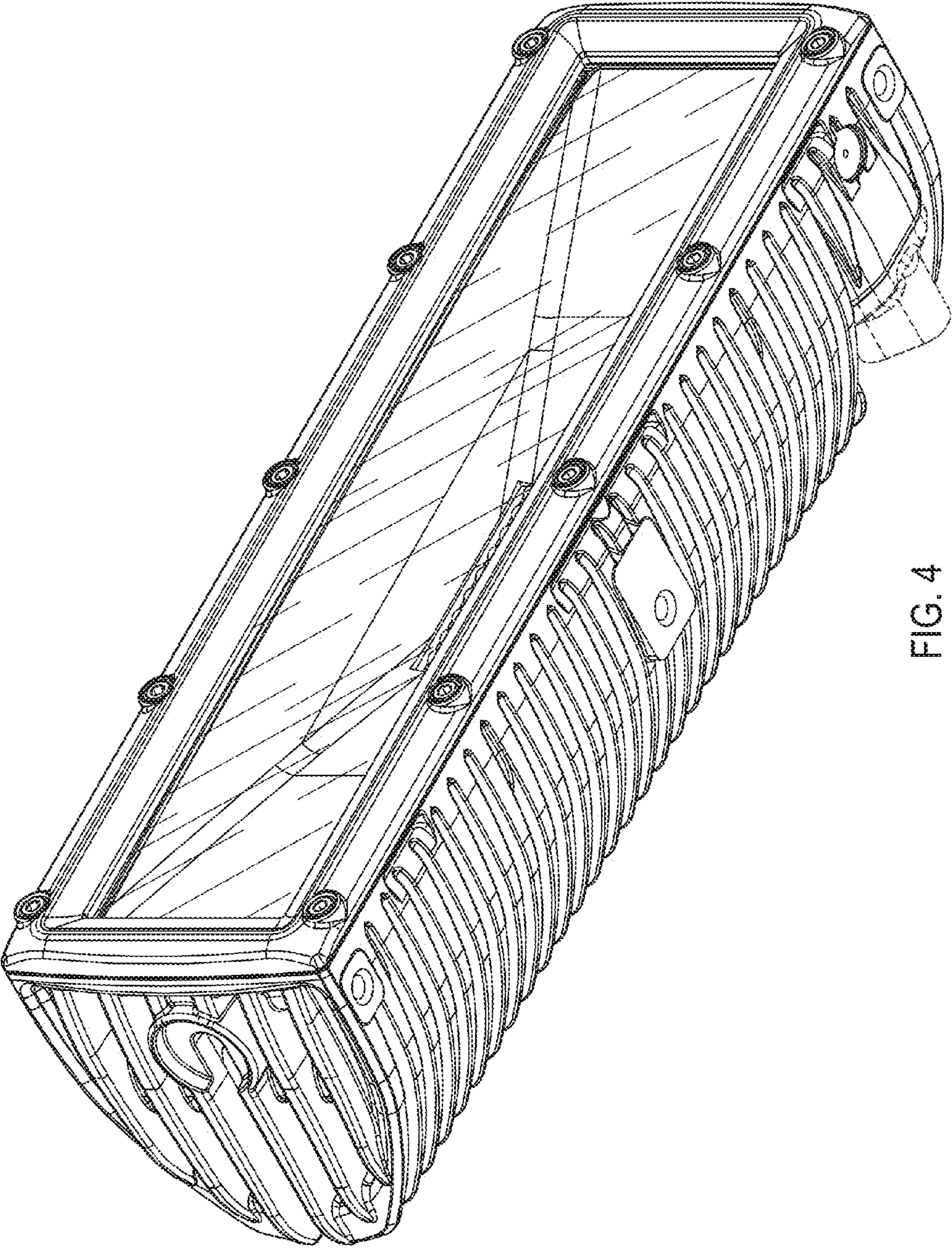


FIG. 4

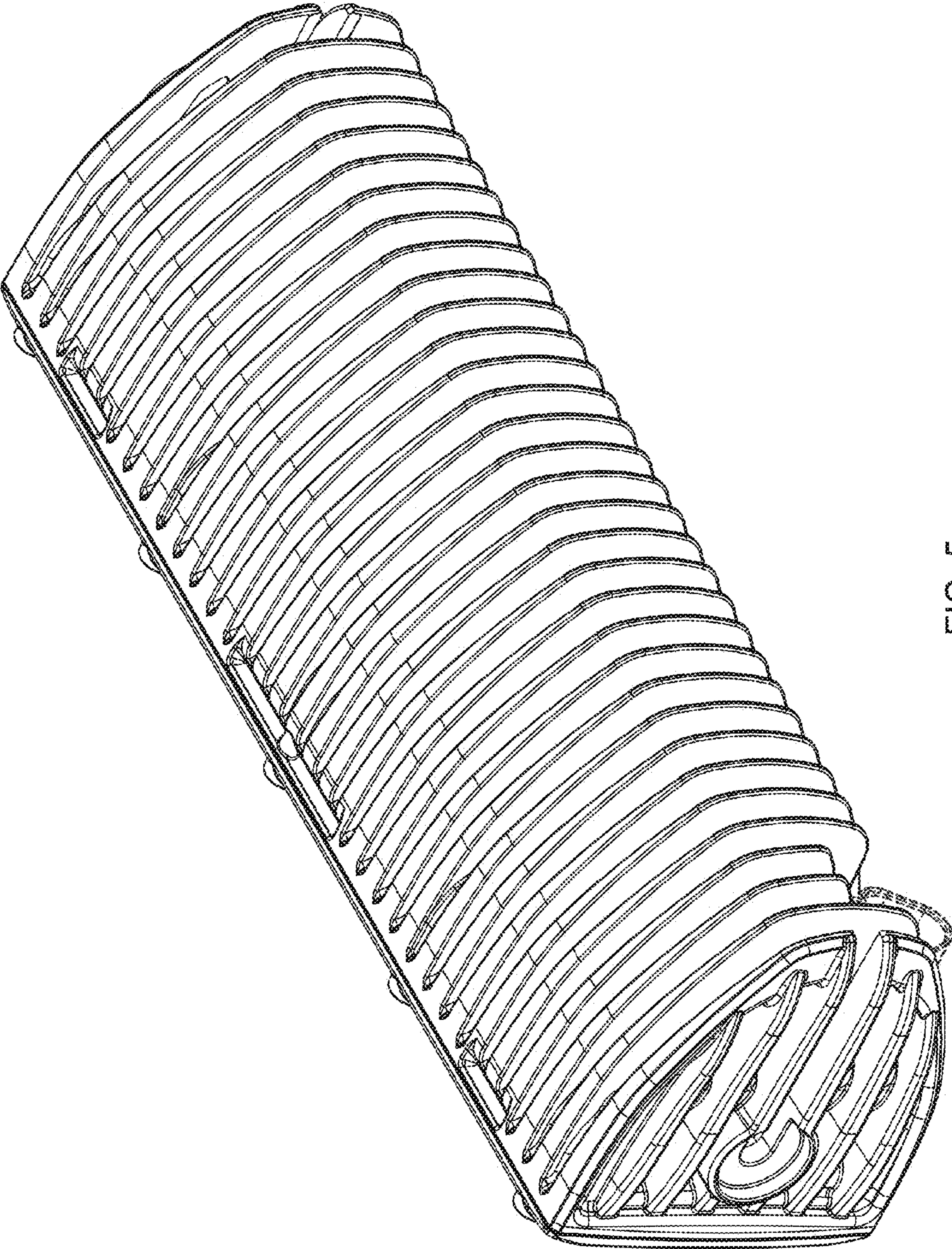


FIG. 5

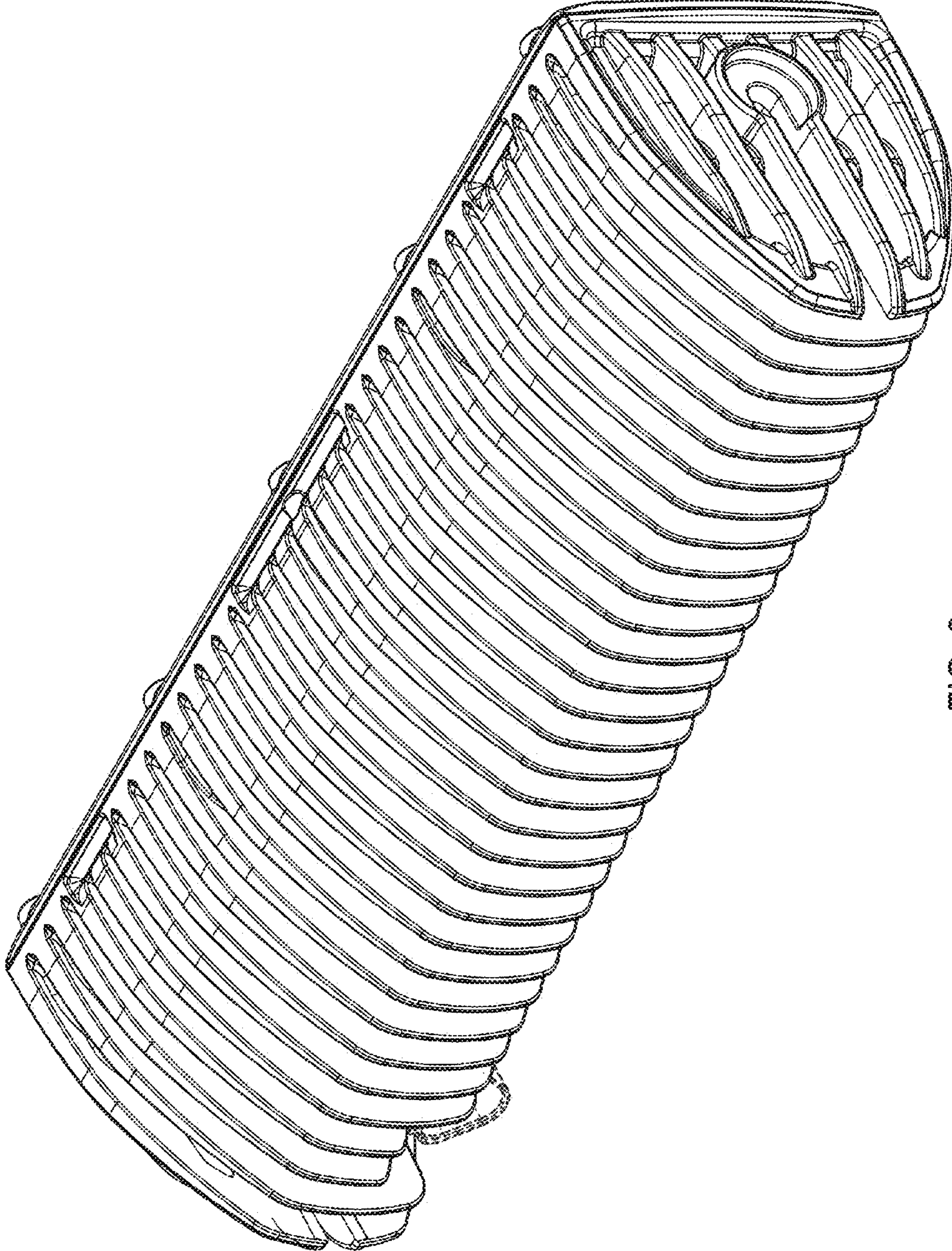


FIG. 6

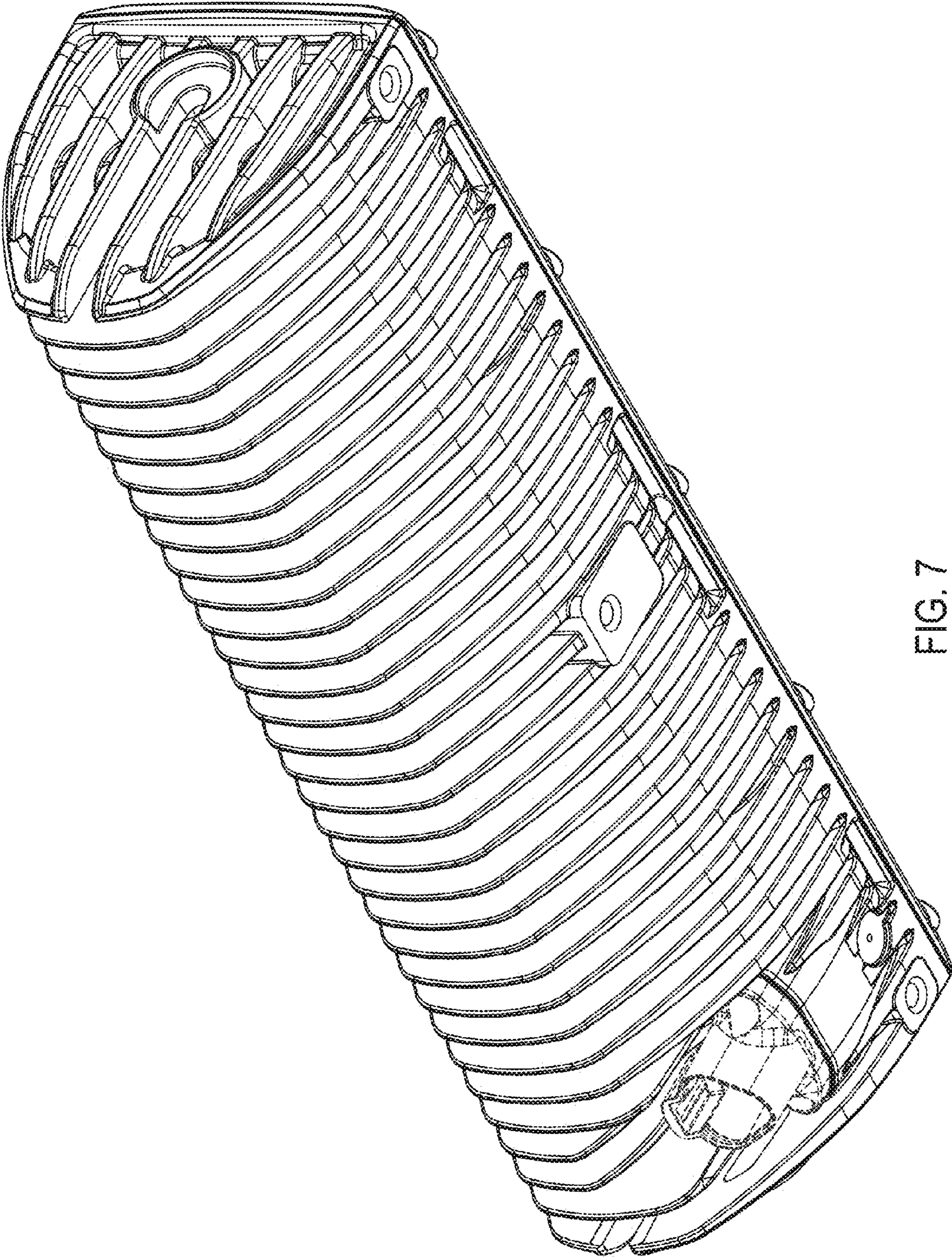


FIG. 7

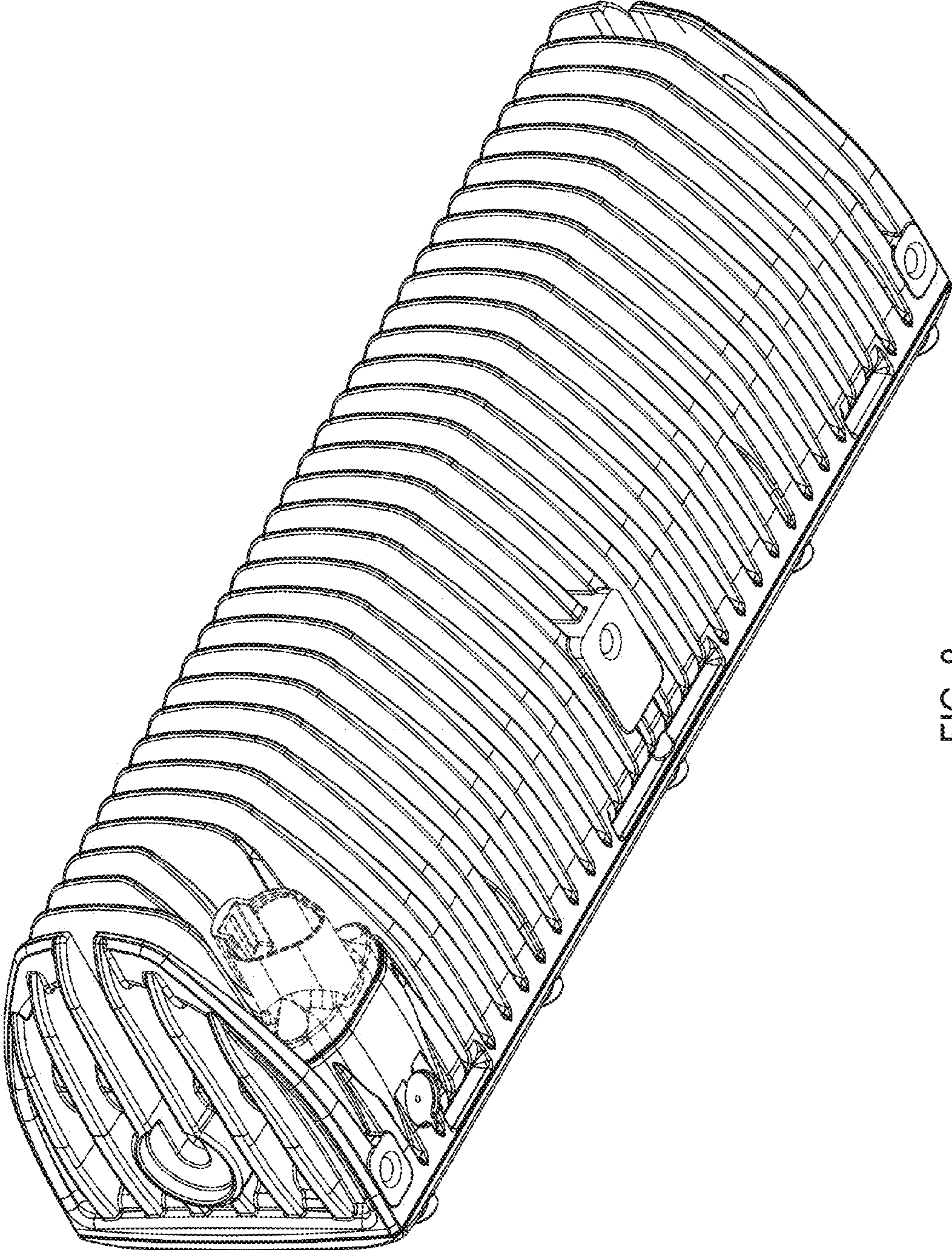


FIG. 8

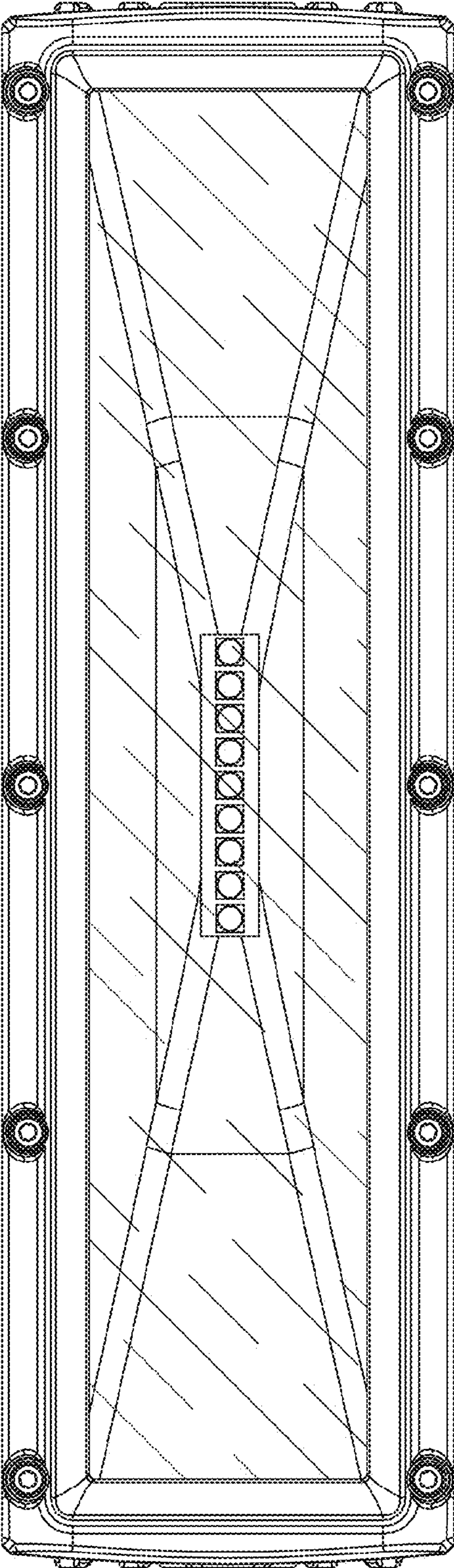


FIG. 9

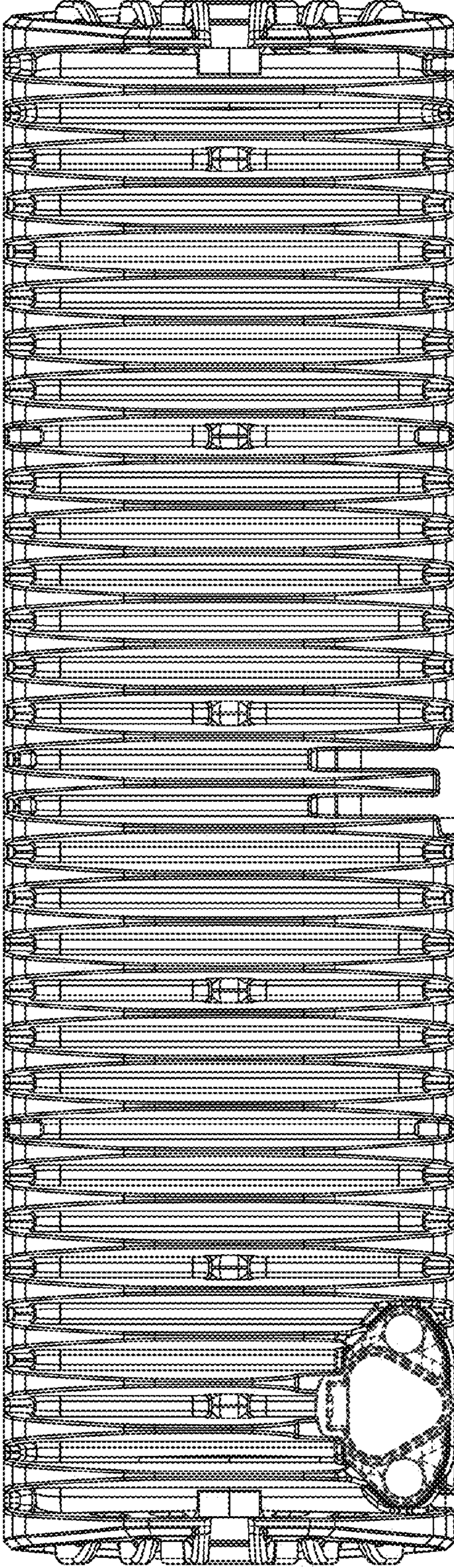


FIG. 10

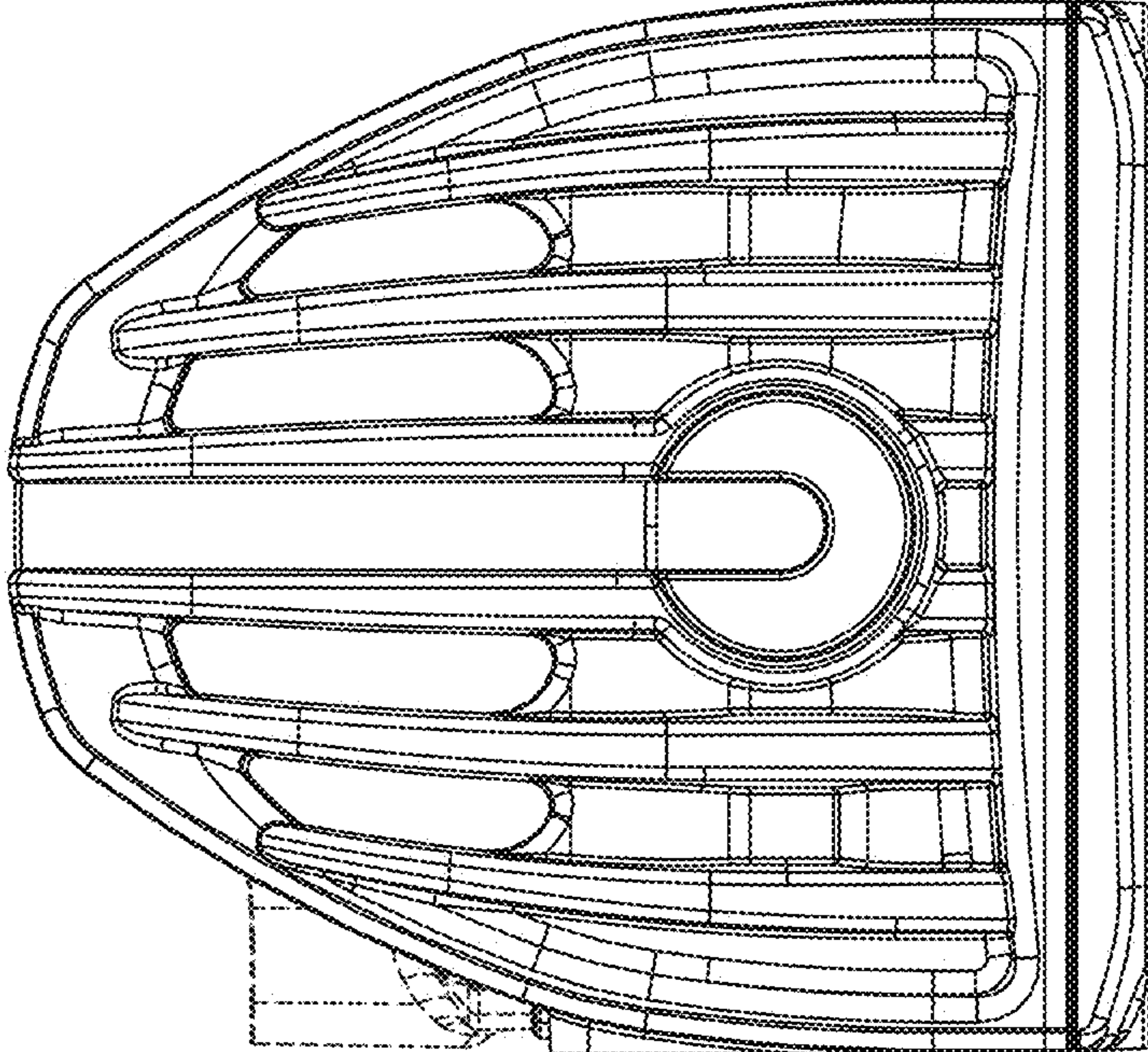


FIG. 11

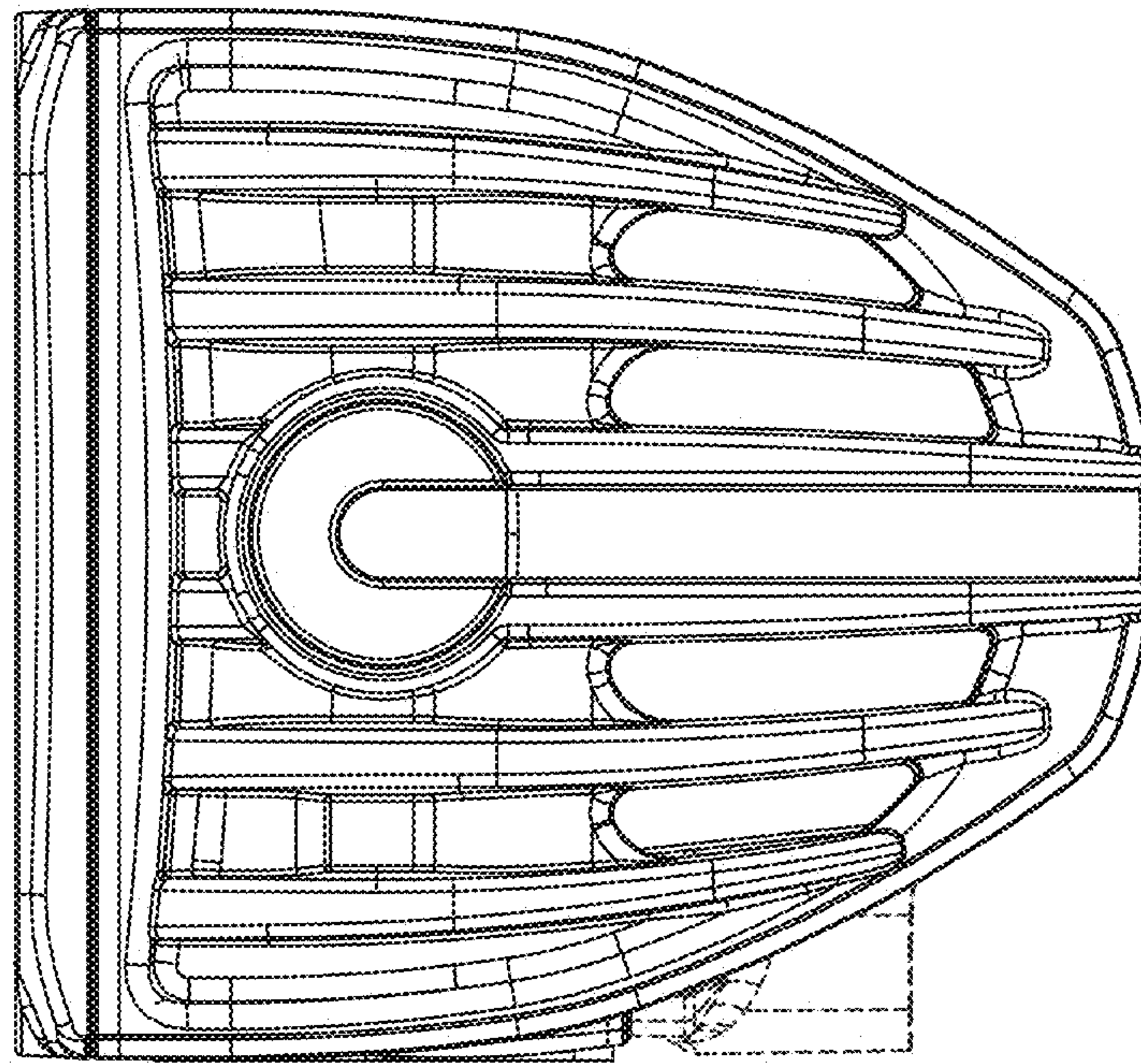


FIG. 12

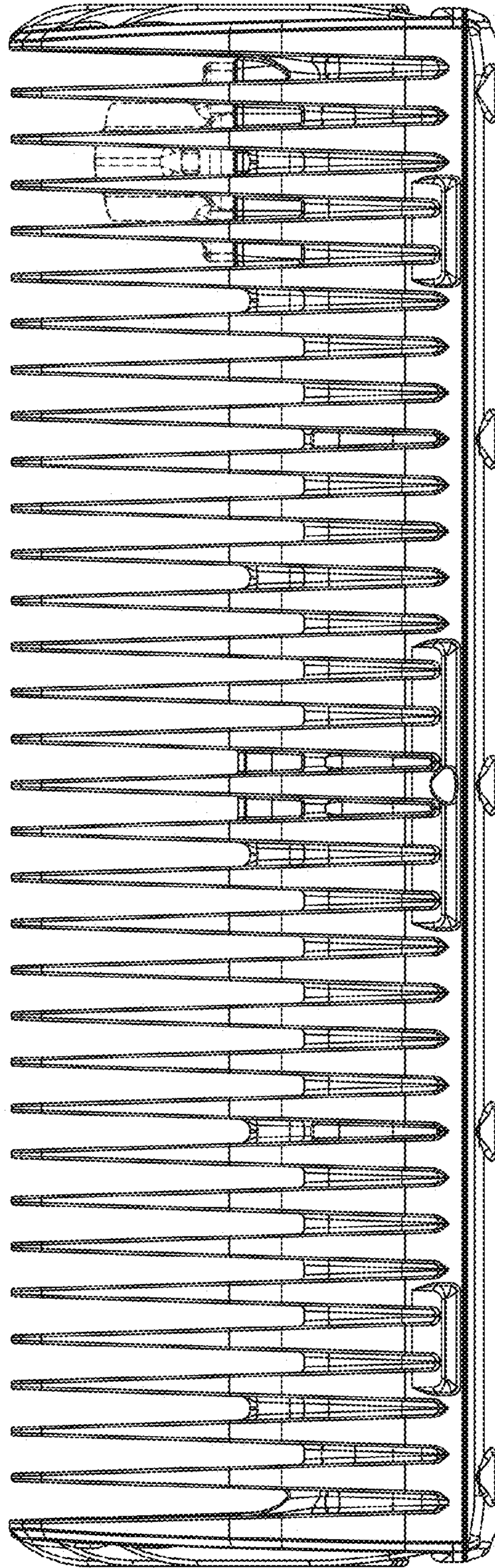


FIG. 13

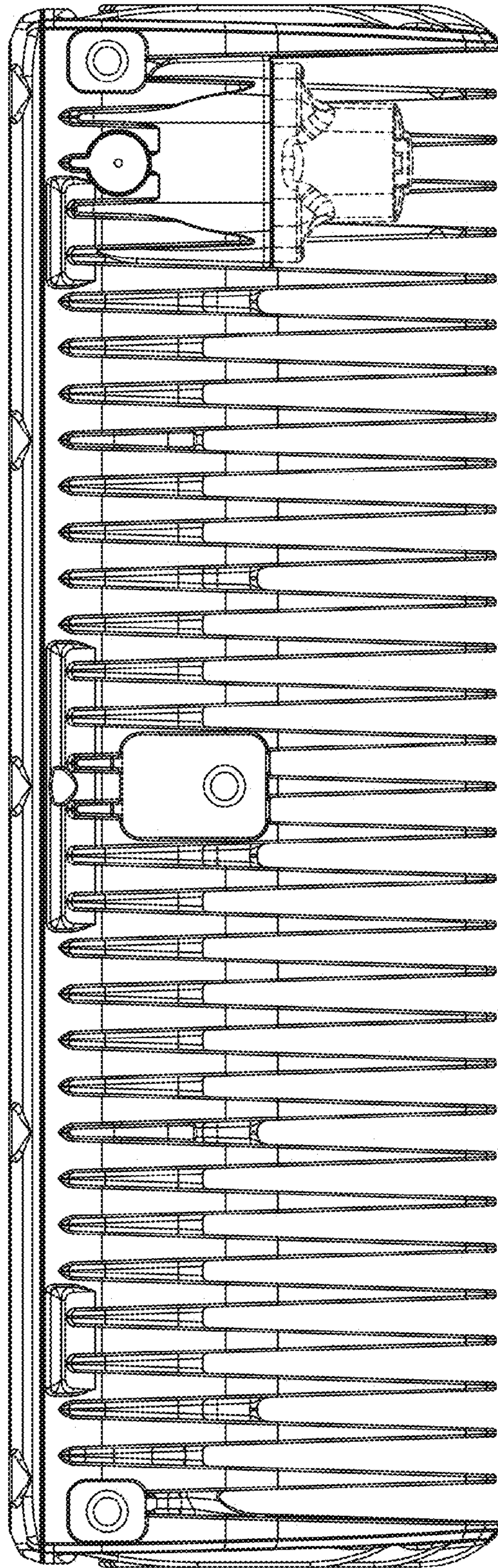


FIG. 14