



US00D739593S

(12) **United States Design Patent**
Mayfield, III et al.

(10) **Patent No.:** **US D739,593 S**

(45) **Date of Patent:** **** Sep. 22, 2015**

(54) **LIGHT FIXTURE**

(71) Applicant: **ABL IP Holding LLC**, Conyers, GA (US)

(72) Inventors: **John T. Mayfield, III**, Loganville, GA (US); **Mark Anthony Hand**, Covington, GA (US)

(73) Assignee: **ABL IP Holding LLC**, Conyers, GA (US)

(**) Term: **14 Years**

(21) Appl. No.: **29/492,313**

(22) Filed: **May 30, 2014**

(51) **LOC (10) Cl.** **26-99**

(52) **U.S. Cl.**
USPC **D26/118**

(58) **Field of Classification Search**
USPC D26/25-26, 28, 51, 55-57, 59-64, 66, D26/72-91, 113, 118-120, 122, 138, D26/140-142; 362/145-148, 150-153, 362/153.1, 217.01, 217.02, 217.05-217.07, 362/217.1, 217.15, 218, 223, 241, 249, 362/249.02, 296.07, 296.08, 294, 299, 362/311.02, 362, 373, 600, 608, 609, 640, 362/641; D11/142, 143, 144, 155
See application file for complete search history.

(56) **References Cited**

U.S. PATENT DOCUMENTS

D133,216 S * 7/1942 Parlato D26/78
D140,343 S * 2/1945 Nitardy D26/76

(Continued)

OTHER PUBLICATIONS

Lithonia Lighting, Fluorescent, Sheet #: RT5-1x4, Brochure, Nov. 17, 2009 (2 pages).

(Continued)

Primary Examiner — Cynthia Ramirez

Assistant Examiner — Llorellys Martinez-Rivera

(74) *Attorney, Agent, or Firm* — Kilpatrick Townsend & Stockton LLP

(57) **CLAIM**

The ornamental design for a light fixture, as shown and described.

DESCRIPTION

FIG. 1 is a bottom perspective view of a light fixture showing our new design.

FIG. 2 is a bottom view of the light fixture of FIG. 1.

FIG. 3 is a top view of the light fixture of FIG. 1.

FIG. 4 is a front view of the light fixture of FIG. 1.

FIG. 5 is a rear view of the light fixture of FIG. 1.

FIG. 6 is a left side view of the light fixture of FIG. 1.

FIG. 7 is a right side view of the light fixture of FIG. 1.

FIG. 8 is an interior perspective view of a first bracket of the light fixture FIG. 1, shown separately for ease of illustration.

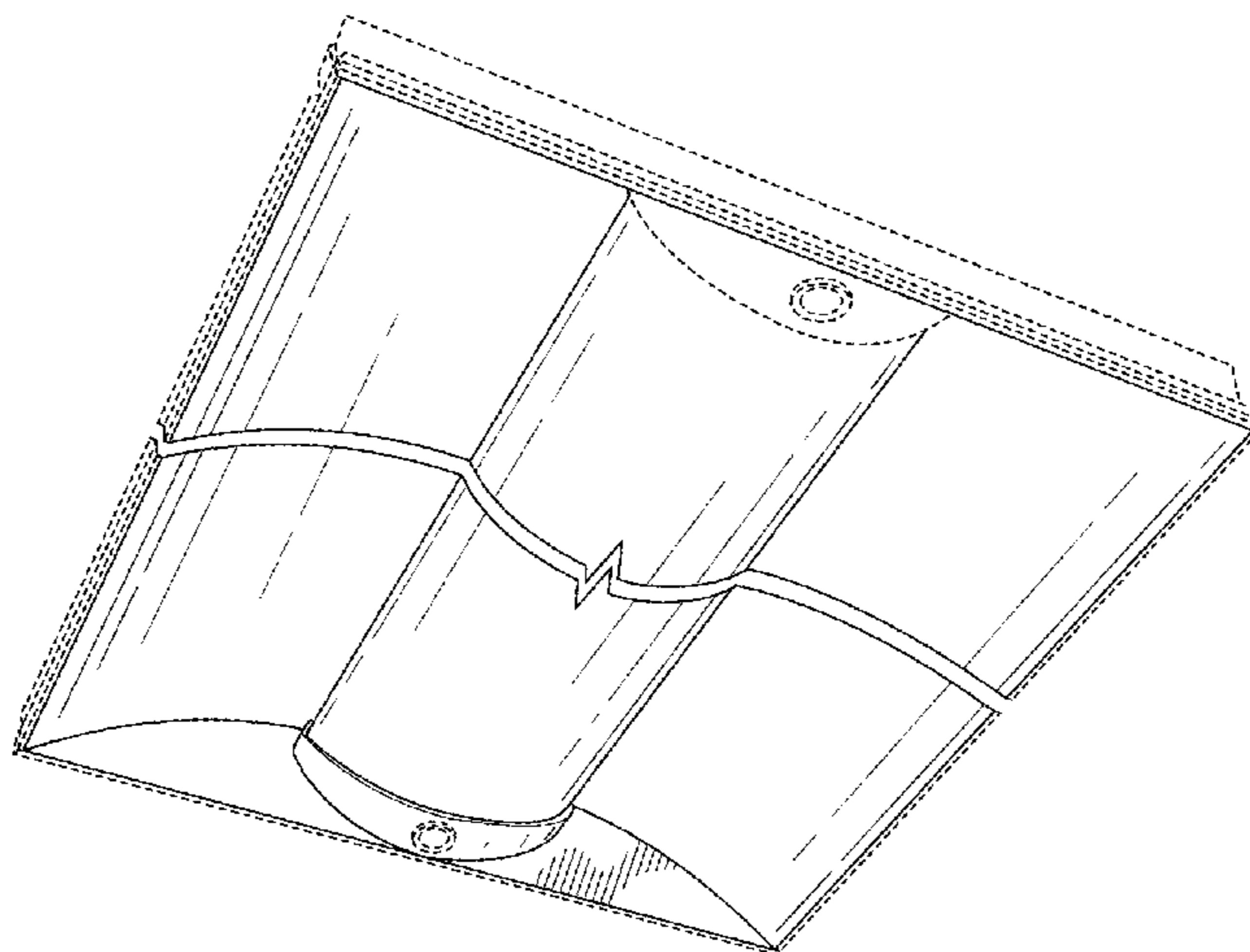
FIG. 9 is an exterior perspective view of the first bracket of FIG. 8.

FIG. 10 is an interior perspective view of a second bracket of the light fixture FIG. 1, shown separately for ease of illustration; and,

FIG. 11 is an exterior perspective view of the second bracket of FIG. 10.

The broken lines immediately adjacent to shaded areas represent a claim boundary and form no part of the claimed design. All other broken lines represent portions of the lighting fixture which form no part of the claimed design. The light fixture is shown with a symbolic break in its length. The appearance of any portion of the article between the break lines forms no part of the claimed design.

1 Claim, 7 Drawing Sheets



(56)

References Cited

U.S. PATENT DOCUMENTS

D149,427 S 4/1948 Lindahl
 2,490,191 A * 12/1949 Baker D26/76
 D191,718 S * 11/1961 Franck D26/122
 D195,012 S 4/1963 Hoyle
 D243,248 S * 2/1977 England D26/122
 D265,854 S 8/1982 Maguire
 D284,110 S 6/1986 Mullins
 D329,300 S 9/1992 Hong
 D364,478 S 11/1995 Pesau
 D397,819 S 9/1998 Thorton, Jr.
 5,803,589 A 9/1998 Lee
 D399,586 S 10/1998 Ranieri et al.
 D403,458 S * 12/1998 Walz D26/85
 D406,916 S 3/1999 Klaus
 D407,473 S 3/1999 Wimbock
 D409,325 S 5/1999 Holder et al.
 D411,641 S * 6/1999 Ranieri et al. D26/74
 D413,402 S 8/1999 Ranieri et al.
 5,988,829 A 11/1999 Holder
 5,988,836 A 11/1999 Swarens
 D433,177 S 10/2000 Lewis
 D444,587 S 7/2001 Hastings et al.
 6,523,974 B2 2/2003 Engel
 D477,891 S 7/2003 Fritze et al.
 D487,527 S 3/2004 Sieczkowski
 D496,121 S 9/2004 Santoro
 7,175,315 B2 2/2007 Eaton
 D545,991 S 7/2007 Mayfield, III et al.
 D545,992 S 7/2007 Mayfield, III et al.
 D553,781 S 10/2007 Pickard et al.
 D556,358 S 11/2007 Santoro
 D561,383 S * 2/2008 Hukle et al. D26/120
 D561,930 S * 2/2008 Hukle et al. D26/120
 D572,858 S 7/2008 Santoro
 D579,598 S 10/2008 Santoro
 7,490,960 B1 2/2009 Fiorino et al.
 D593,246 S 5/2009 Fowler et al.
 D595,006 S 6/2009 Santoro
 D602,625 S 10/2009 Santoro
 D604,000 S 11/2009 Fowler et al.
 D605,340 S 12/2009 Chung et al.
 D605,341 S 12/2009 Chung et al.
 D605,342 S 12/2009 Chung et al.
 D608,490 S 1/2010 Chung et al.
 D608,931 S 1/2010 Castelli
 D608,932 S 1/2010 Castelli
 D608,933 S 1/2010 Castelli
 D609,385 S 2/2010 Castelli
 D609,386 S 2/2010 Castelli
 D611,183 S 3/2010 Duarte
 D617,487 S 6/2010 Fowler et al.
 D633,247 S * 2/2011 Kong et al. D26/88
 D636,108 S 4/2011 Nguyen et al.
 7,963,662 B2 * 6/2011 Chung et al. 362/217.05
 D644,374 S 8/2011 Ferrier
 D646,421 S * 10/2011 Chung et al. D26/75
 D650,114 S * 12/2011 Rudek et al. D26/118
 D653,375 S * 1/2012 Chung et al. D26/75
 D653,376 S 1/2012 Kong et al.
 D657,904 S * 4/2012 Mayfield et al. D26/122
 8,167,453 B2 5/2012 Kawashima et al.
 D662,251 S * 6/2012 Wauters D26/85
 D664,699 S 7/2012 Nakahira et al.
 D665,119 S 8/2012 Bryant
 D667,983 S 9/2012 Pickard et al.
 D670,422 S 11/2012 Siekmann
 D672,079 S 12/2012 Kong et al.
 D672,911 S 12/2012 Mayfield, III et al.
 D672,912 S 12/2012 Mayfield, III et al.
 D673,324 S 12/2012 Mayfield, III et al.

D675,364 S 1/2013 Watt
 D677,820 S * 3/2013 Mayfield et al. D26/74
 D678,586 S 3/2013 Mayfield, III
 D681,872 S * 5/2013 Kong et al. D26/141
 D685,942 S * 7/2013 Duquette et al. D26/74
 D685,943 S * 7/2013 Duquette et al. D26/74
 D690,869 S 10/2013 Katz et al.
 D693,047 S 11/2013 Haumann
 D696,449 S * 12/2013 Boyer et al. D26/74
 8,636,385 B2 1/2014 Fabbri et al.
 D701,341 S 3/2014 Mayfield, III et al.
 D707,873 S * 6/2014 Boyer et al. D26/74
 2006/0023450 A1 2/2006 Chung et al.
 2007/0206376 A1 9/2007 Lippis et al.
 2007/0211457 A1 * 9/2007 Mayfield et al. 362/217
 2008/0019126 A1 * 1/2008 Straton et al. 362/218
 2010/0091484 A1 * 4/2010 Mayfield et al. 362/223
 2010/0277934 A1 * 11/2010 Oquendo et al. 362/433
 2012/0120645 A1 * 5/2012 Hawkins et al. 362/225
 2012/0155073 A1 * 6/2012 McCanless et al. 362/218
 2012/0257381 A1 * 10/2012 Kwak et al. 362/217.05

OTHER PUBLICATIONS

Fenestra, Neo-Ray™, Cooper Lighting, ADN041914, Mar. 24, 2009 (3 pages).
 Ledalite, Pure with MasoOptics, 14 pages—Believed to be available at least as early as May 29, 2013.
 Neuheiten/News, Sylvania, Einbauleuchten Recessed Luminaires, 6 pages—Believed to be available at least as early as May 29, 2013.
 Acuity Brands, Inc., Lithonia Lighting, 2RT5, 2' x 4', Simply 5 Lighting Intelligence Brochure, VRL-100, Aug. 9, 2010.
 Acuity Brands, Inc., Lithonia Lighting, Avante Recessed Direct/Indirect Lighting Brochure, Jan. 18, 2010.
 Acuity Brands, Inc., RT5, 2RT5, 2' x 4', Simply 5 Lighting Intelligence Brochure, VRL-180, Nov. 17, 2009.
 Cooper Lighting, Corelite, Recessed—Class R Brochure. Believed to be available at least as early as Jan. 19, 2010.
 Focal Point, Aerion 2 x 2 Brochure, Believed to be available at least as early as May 29, 2013.
 H. E. Williams, Inc., 2' x 2' Shallow Plenum Brochure, Voltage Type Job Series Brochure, Oct. 5, 2010.
 Zumtobel Lighting, Inc., Careena—3600K—Brochure, 2" x 2" Recessed LED Brochure, CR-1, Jan. 11, 2010.
 Non-Final Office Action for U.S. Appl. No. 29/383,515, mailed Nov. 13, 2012 (10 pages).
 Response to Restriction Requirement for U.S. Appl. No. 29/383,515, filed Dec. 13, 2012, (44 pages).
 Non-Final Office Action for U.S. Appl. No. 29/383,515, mailed Jan. 4, 2013 (10 pages).
 Response to Office Action for U.S. Appl. No. 29/383,515, filed Apr. 3, 2013 (18 pages).
 Final Office Action for U.S. Appl. No. 29/383,515, mailed Apr. 18, 2013 (8 Pages).
 Office Action for Canadian Application No. 140694, mailed May 30, 2013, (2 pages)
 Office Action for Canadian Application No. 140694, mailed Oct. 28, 2013 (8 pages).
 Notice of Allowance for U.S. Appl. No. 29/461,131, mailed Oct. 30, 2013 (9 Pages).
 Non-Final Office Action for U.S. Appl. No. 29/461,126, mailed Nov. 13, 2013 (7 pages).
 Response to Office Action for U.S. Appl. No. 29/461,126, filed Feb. 13, 2014 (9 pages).
 Final Office Action for U.S. Appl. No. 29/461,126, mailed Mar. 7, 2014 (7 pages).
 Non-Final Office Action for U.S. Appl. No. 29/492,313, mailed Feb. 18, 2015 (12 pages).

* cited by examiner

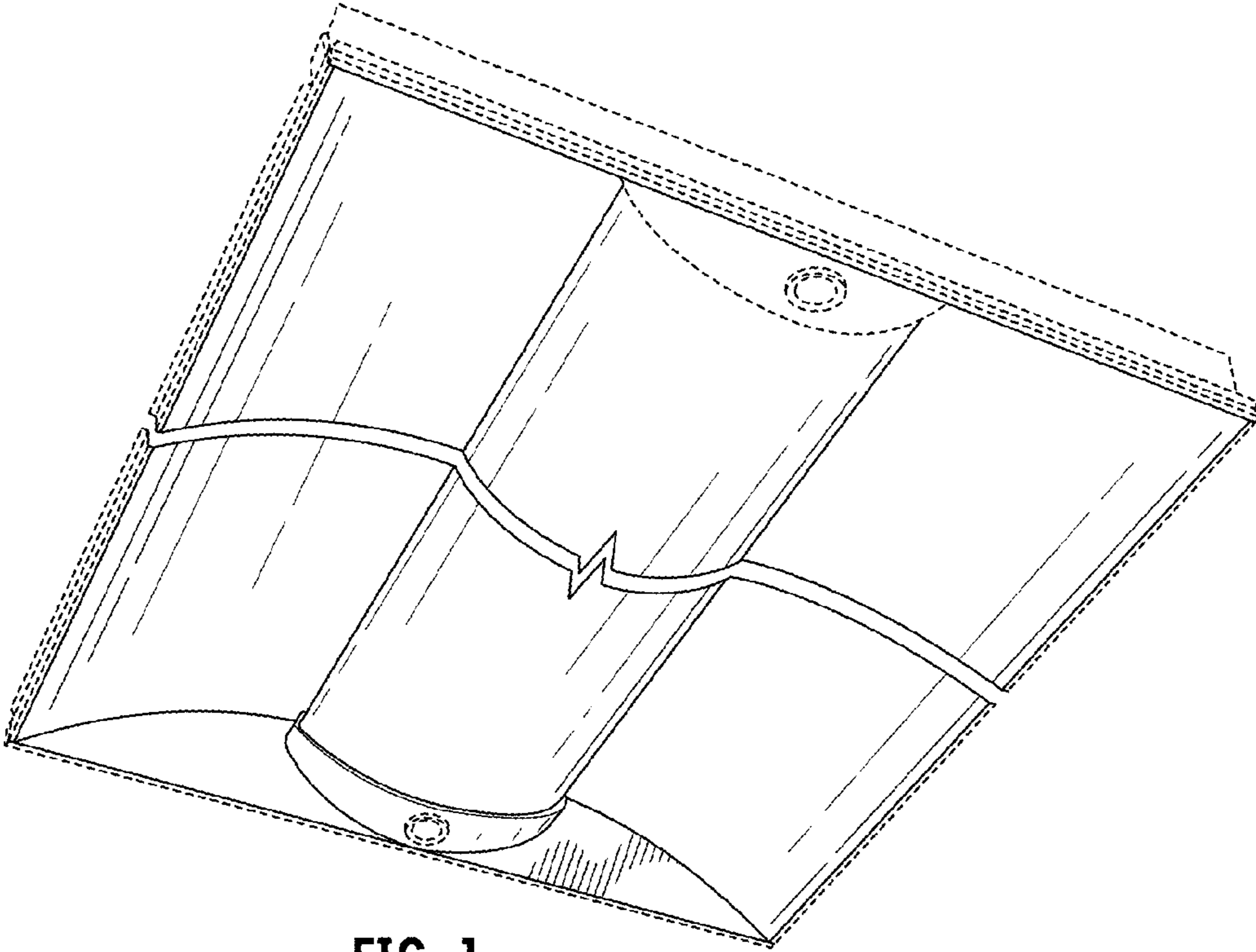


FIG. 1

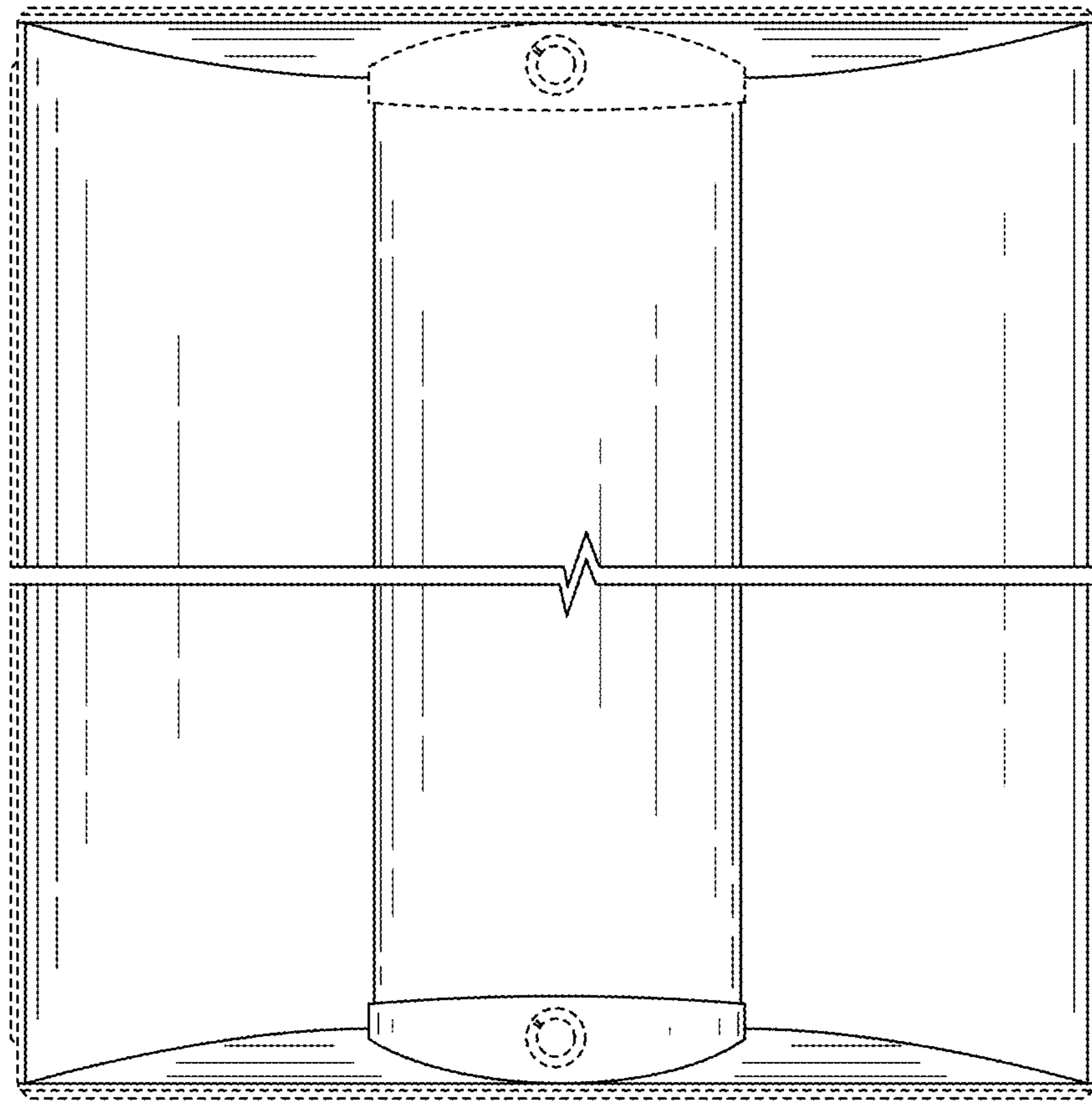


FIG. 2

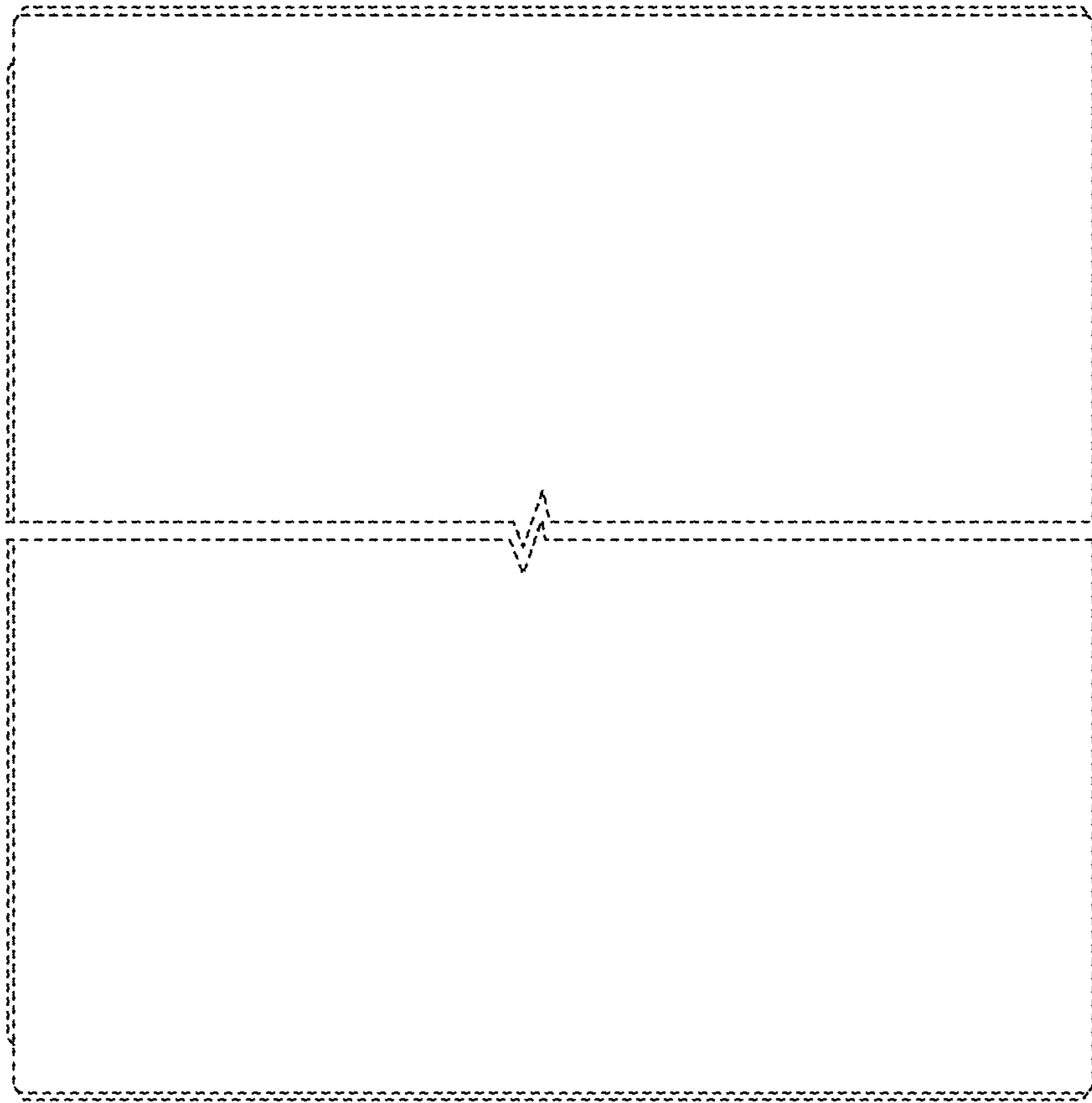


FIG. 3



FIG. 4



FIG. 5

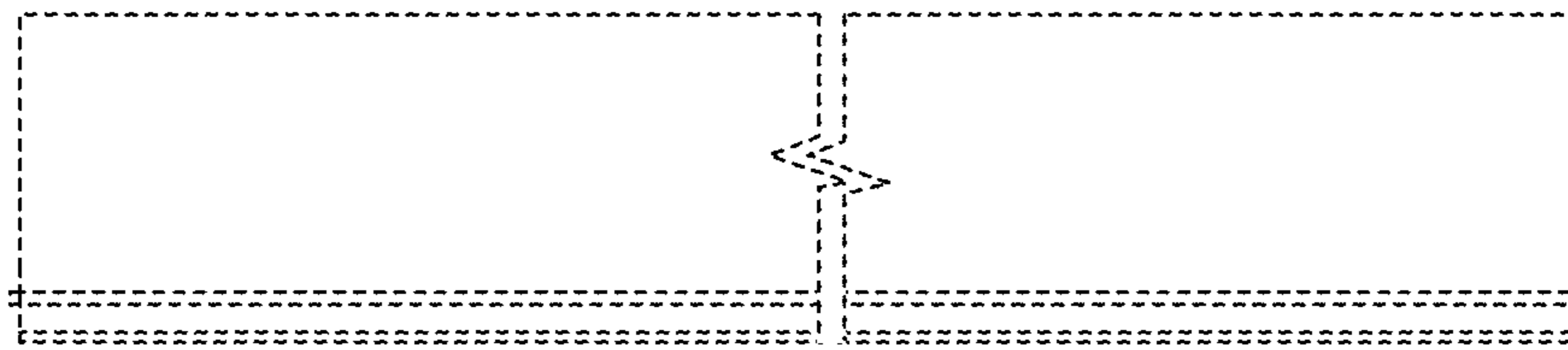


FIG. 6

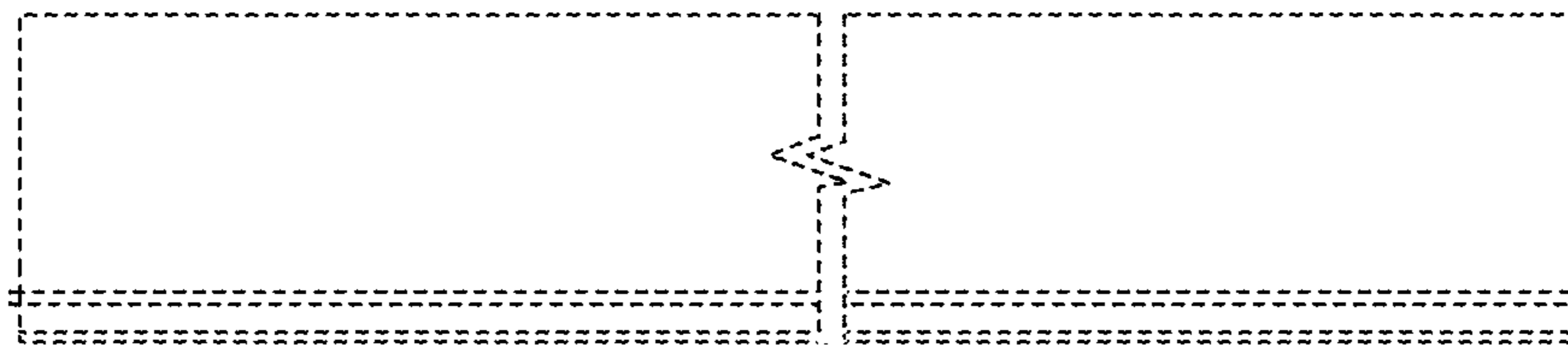


FIG. 7

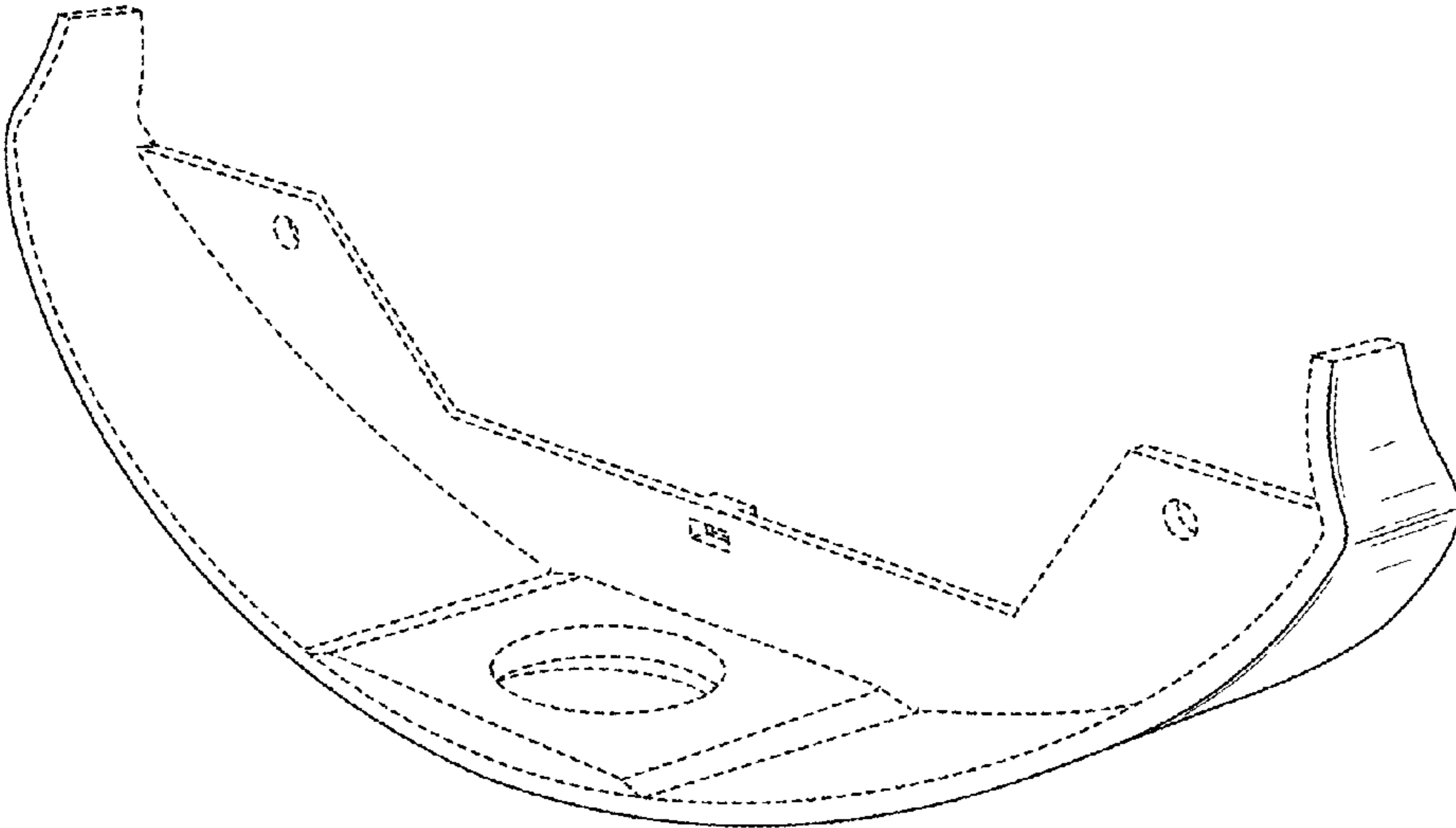


FIG. 8

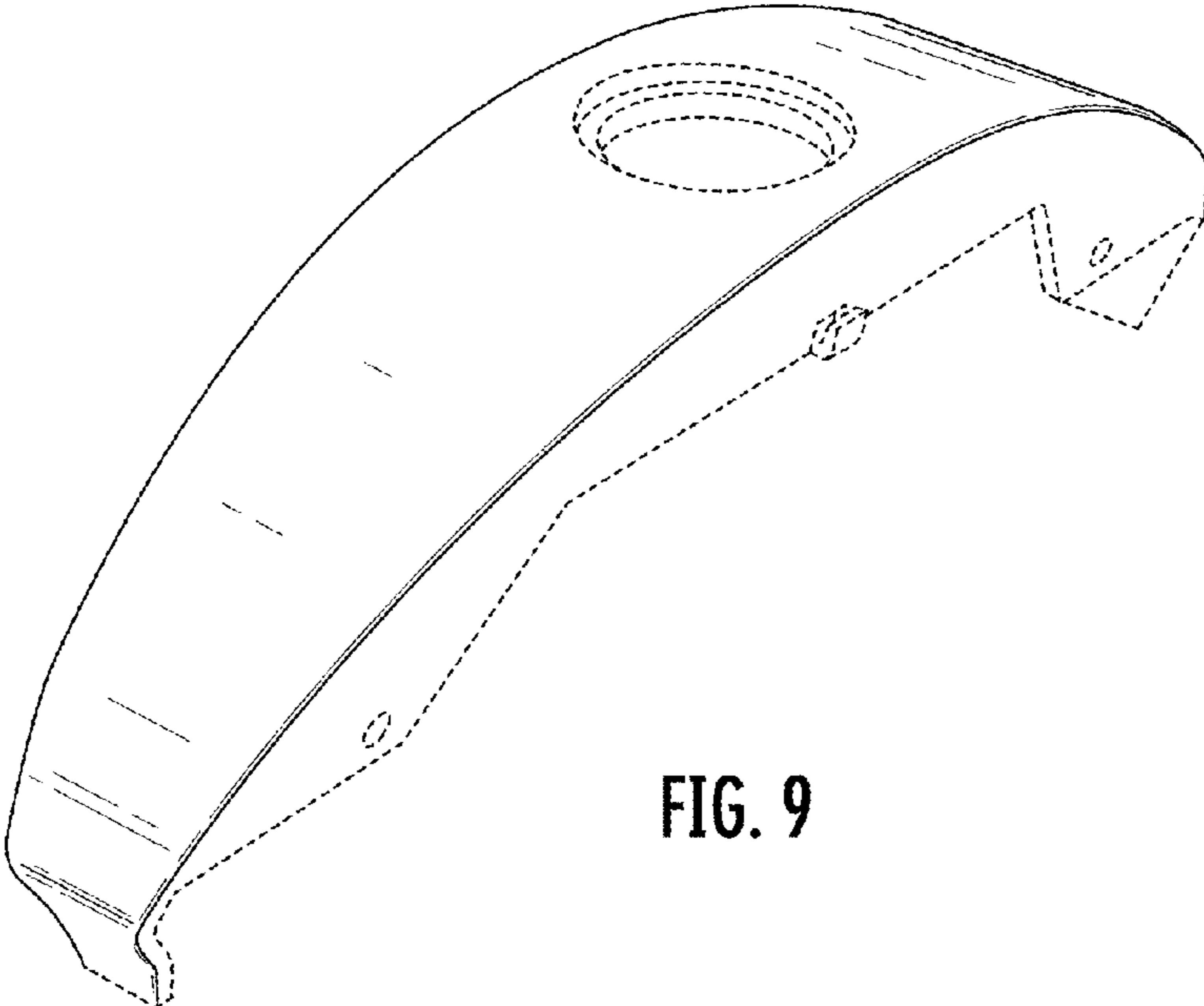


FIG. 9

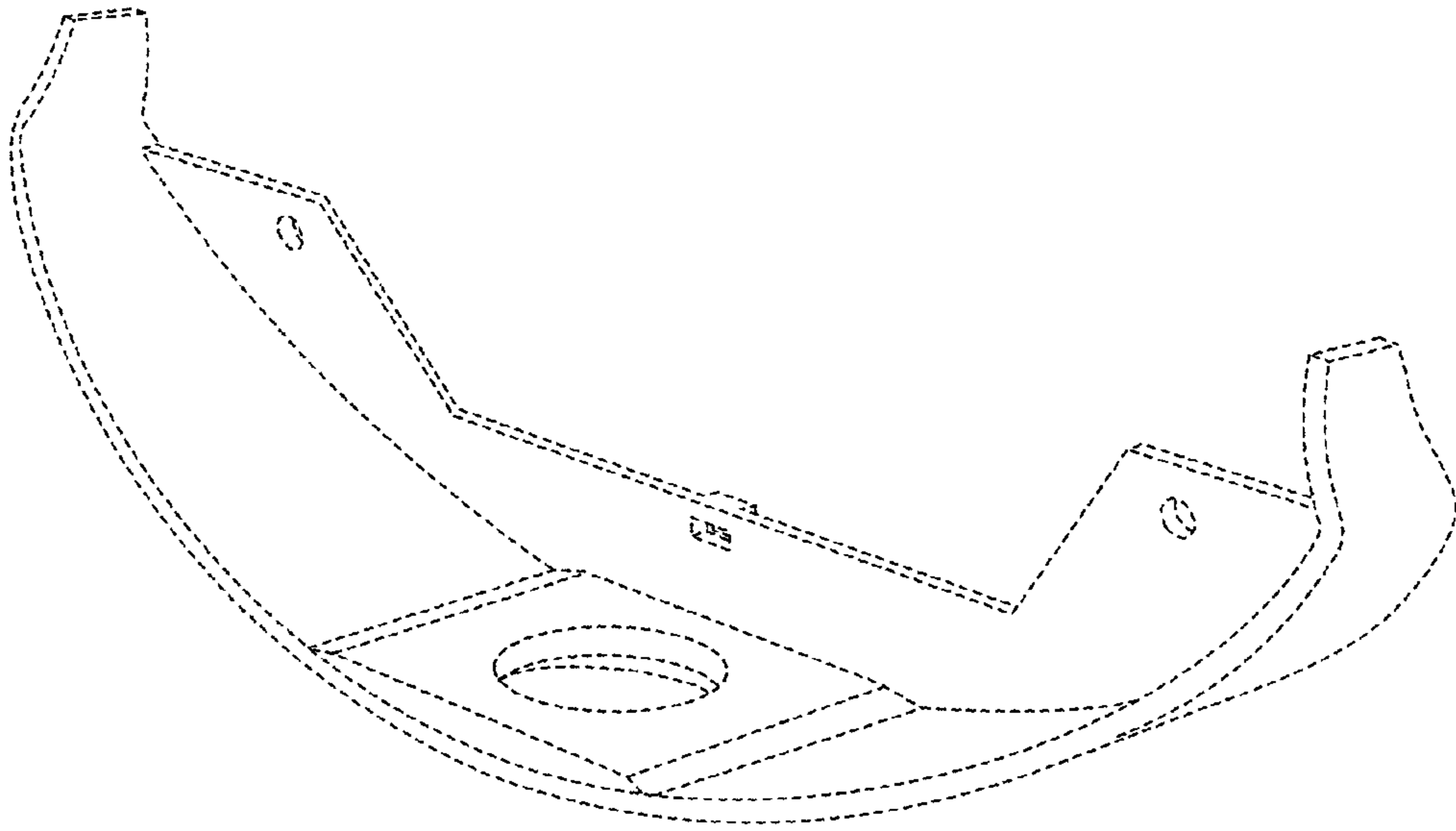


FIG. 10

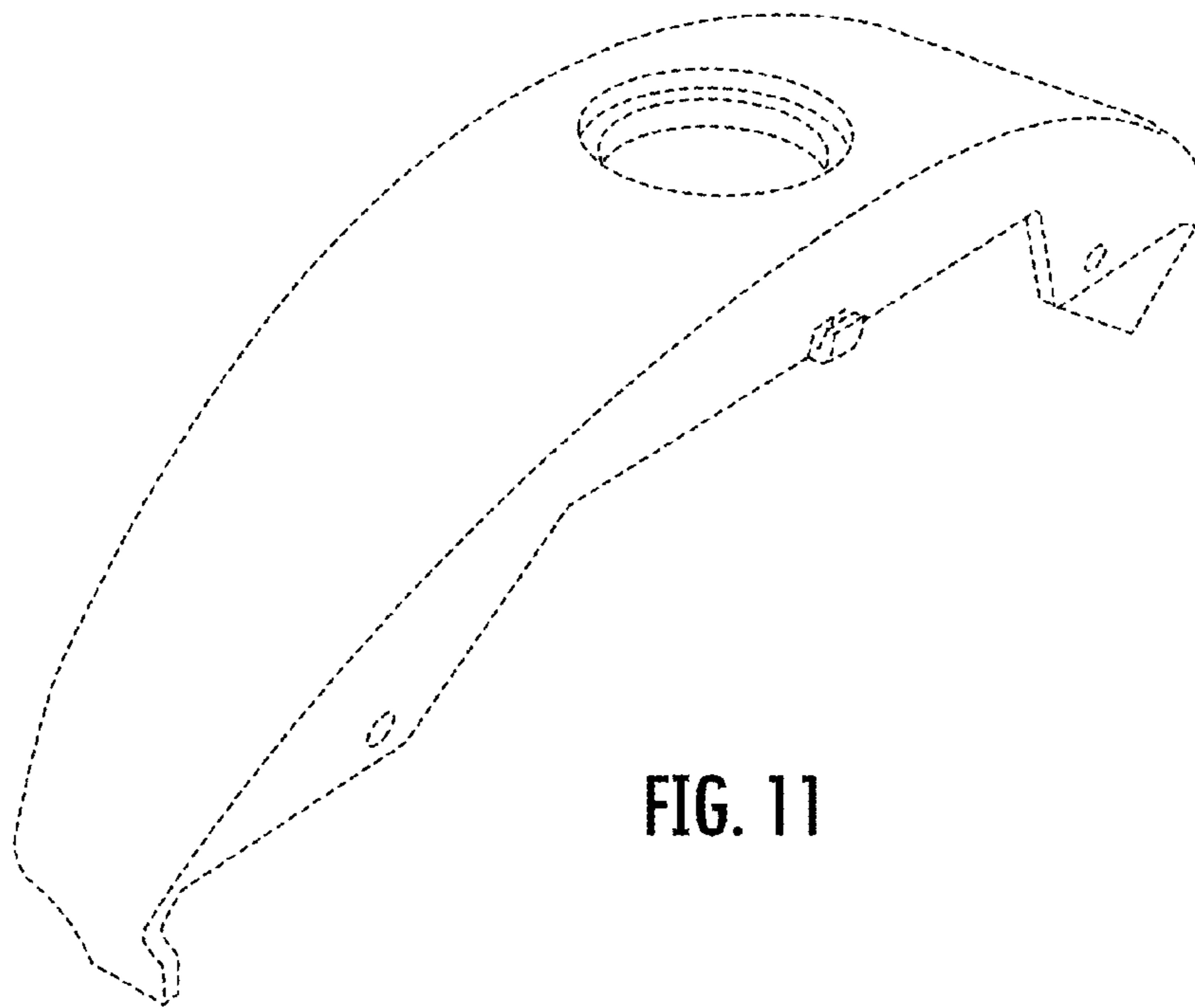


FIG. 11