



US00D739591S

(12) **United States Design Patent**
Tran et al.

(10) **Patent No.:** **US D739,591 S**

(45) **Date of Patent:** **** Sep. 22, 2015**

(54) **LUMINAIRE**

(71) Applicant: **ABL IP Holding, LLC**, Conyers, GA (US)

(72) Inventors: **Michael Trung Tran**, Oakland, CA (US); **Darren Blum**, San Mateo, CA (US); **Peter Y. Y. Ngai**, Alamo, CA (US); **Jeannine Wang**, Oakland, CA (US)

(73) Assignee: **ABL IP Holding, LLC**, Conyers, GA (US)

(**) Term: **14 Years**

(21) Appl. No.: **29/513,924**

(22) Filed: **Jan. 6, 2015**

Related U.S. Application Data

(62) Division of application No. 29/492,463, filed on May 30, 2014, now Pat. No. Des. 730,560.

(51) **LOC (10) Cl.** **26-03**

(52) **U.S. Cl.**
USPC **D26/85**

(58) **Field of Classification Search**
USPC D26/72, 85, 87, 88, 89, 90, 91, 92, 118, D26/120; 362/147, 432, 404-408
CPC F21S 8/043; F21Y 2105/008
See application file for complete search history.

(56) **References Cited**

U.S. PATENT DOCUMENTS

D31,764 S *	10/1899	Locke	D25/103
D424,232 S *	5/2000	Tihany	D26/87
D595,007 S *	6/2009	Sabernig	D26/85
D606,231 S *	12/2009	Sabernig	D26/85
D606,701 S *	12/2009	Chandler	D26/87
D608,935 S *	1/2010	Pedersen	D26/85
D626,275 S *	10/2010	Sabernig	D26/85
D646,423 S *	10/2011	Chiu	D26/85
D666,762 S *	9/2012	Gilad	D26/87

D669,207 S *	10/2012	Chen	D26/87
8,313,215 B1 *	11/2012	Wawak-Umscheid	362/249.01
D676,997 S *	2/2013	Tang et al.	D26/87
D681,260 S *	4/2013	Kitts	D26/120
8,430,530 B2 *	4/2013	Aurongzeb et al.	362/249.04
D683,066 S *	5/2013	Myung	D26/120
D685,945 S *	7/2013	Lindsley et al.	D26/85
D695,939 S *	12/2013	Fang	D26/72
D697,248 S *	1/2014	Martin	D26/85
D700,989 S *	3/2014	Rampolla et al.	D26/90
8,678,605 B2 *	3/2014	Leadford	362/147
D703,864 S *	4/2014	Blum et al.	D26/118
D713,589 S *	9/2014	Blum et al.	D26/85
D713,591 S *	9/2014	Blum et al.	D26/85

* cited by examiner

Primary Examiner — Clare E Heflin

(74) *Attorney, Agent, or Firm* — Beeson Skinner Beverly, LLP

(57) **CLAIM**

The ornamental design for a luminaire, as shown and described.

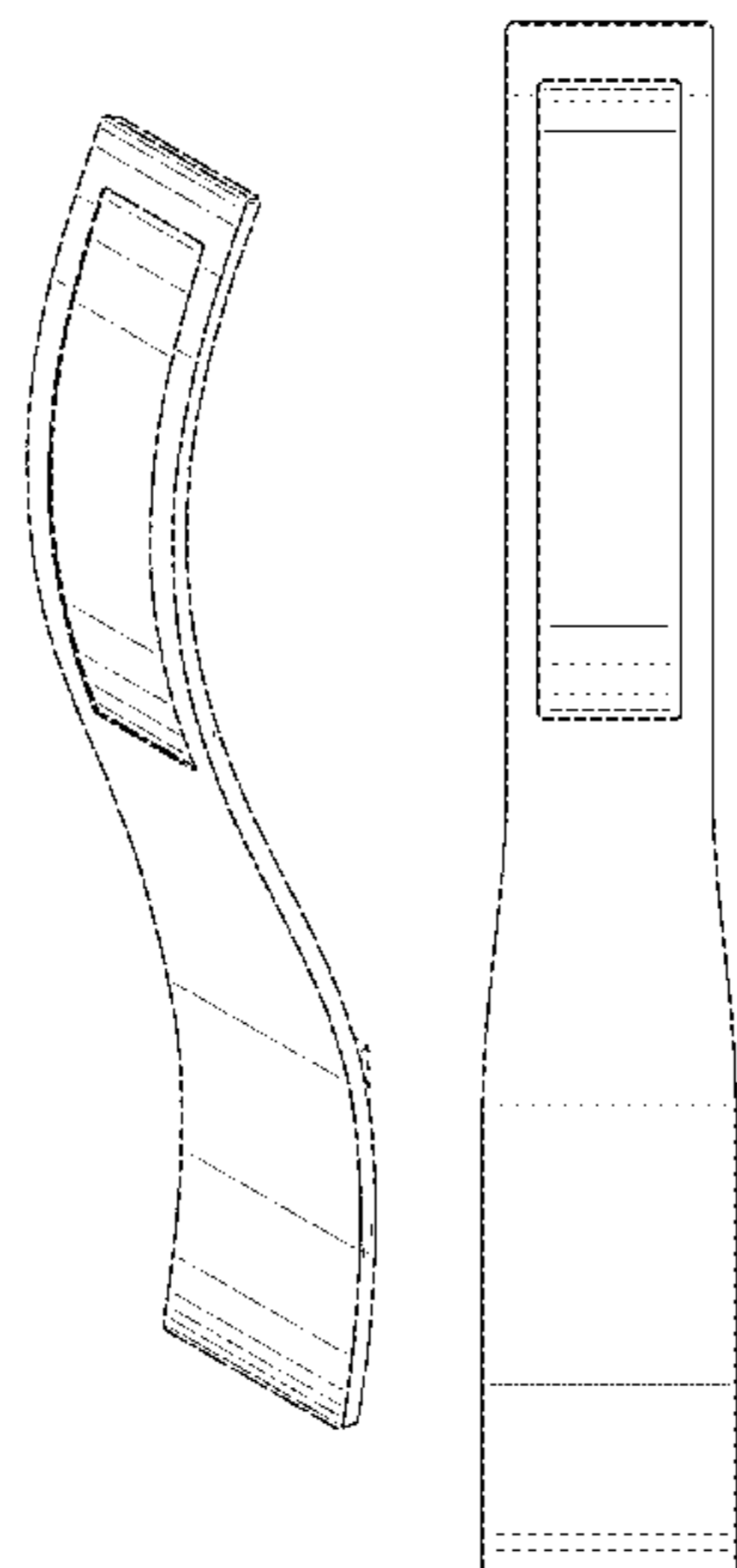
DESCRIPTION

FIG. 1 is a front top perspective view of a luminaire showing our new design;
FIG. 2 is a rear top perspective view thereof;
FIG. 3 is a front elevational view thereof;
FIG. 4 is a right side elevational view thereof, the left side being a mirror image;
FIG. 5 is a rear elevational view thereof;
FIG. 6 is a top plan view thereof; and,
FIG. 7 is a bottom plan view thereof.

The broken boundary lines shown in the rear of the luminaire in FIGS. 2, 5, 6, and 7 indicate the boundary of the design. The area within the boundary lines forms no part of the claimed design.

The broken line block shown in FIGS. 1 and 3-7 represents a mounting block for mounting the luminaire to a wall. The mounting block forms no part of the claimed design.

1 Claim, 3 Drawing Sheets



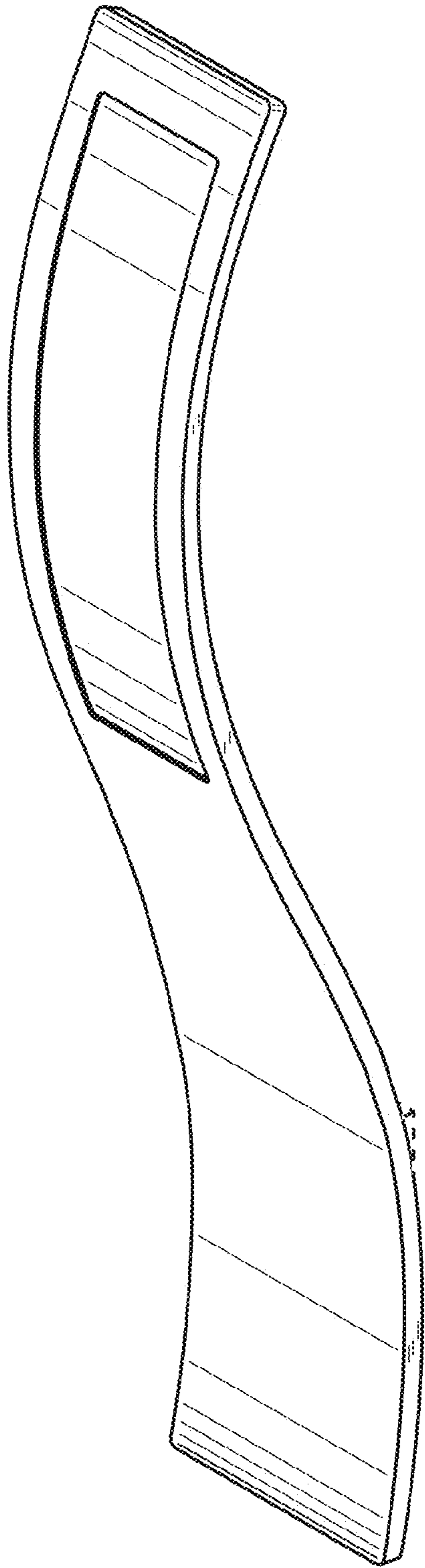


FIG. 1

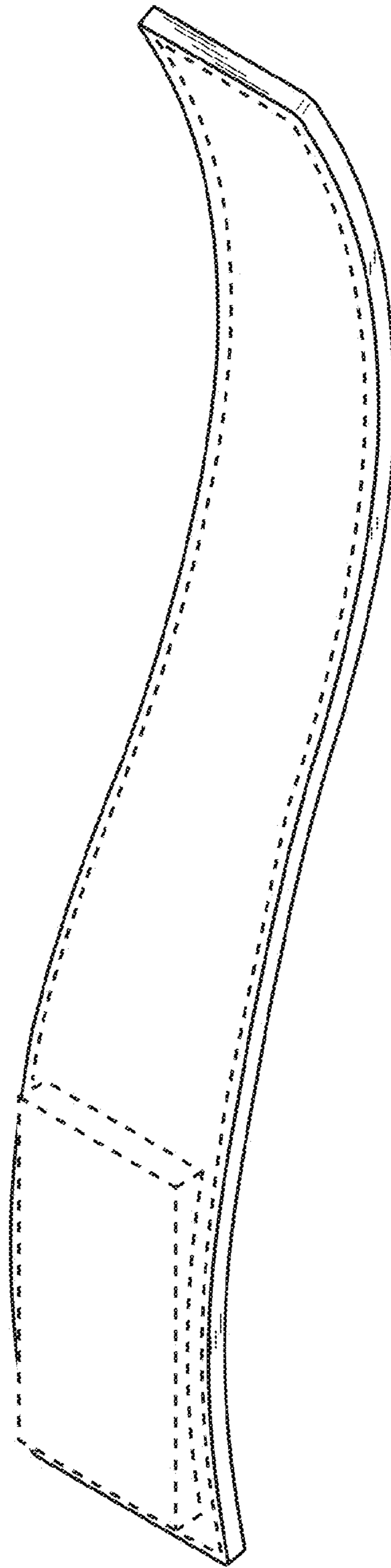


FIG. 2

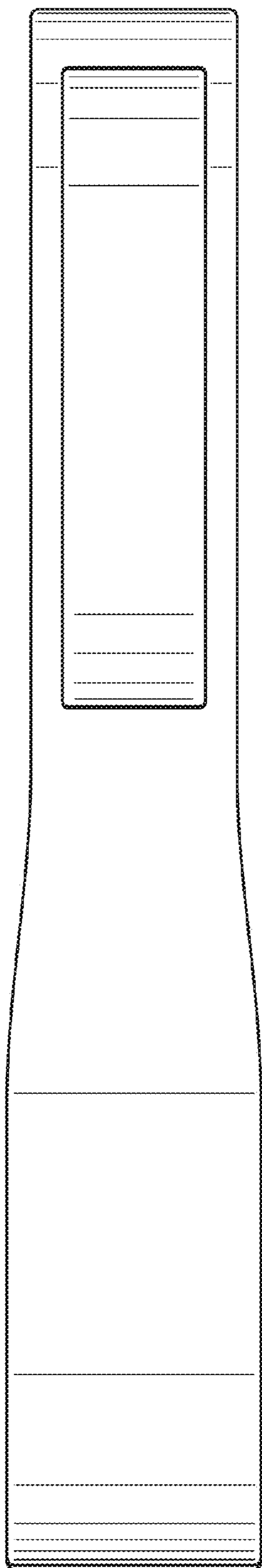


FIG. 3

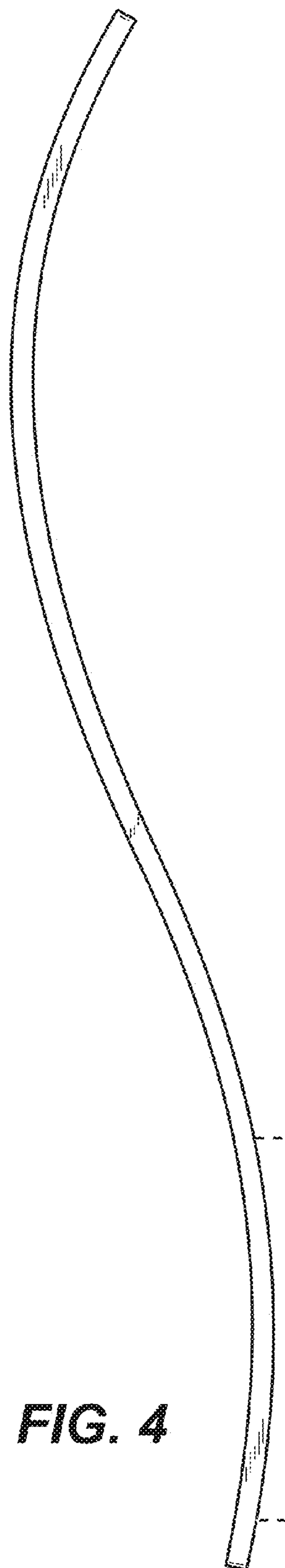


FIG. 4

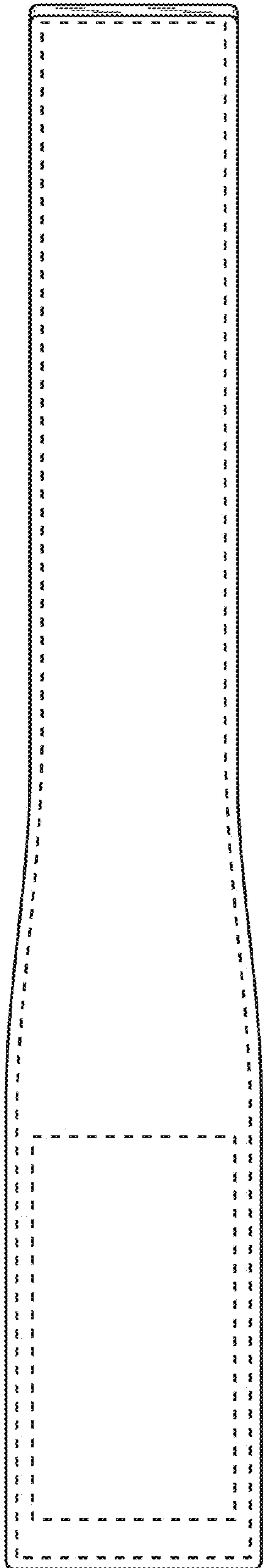


FIG. 5

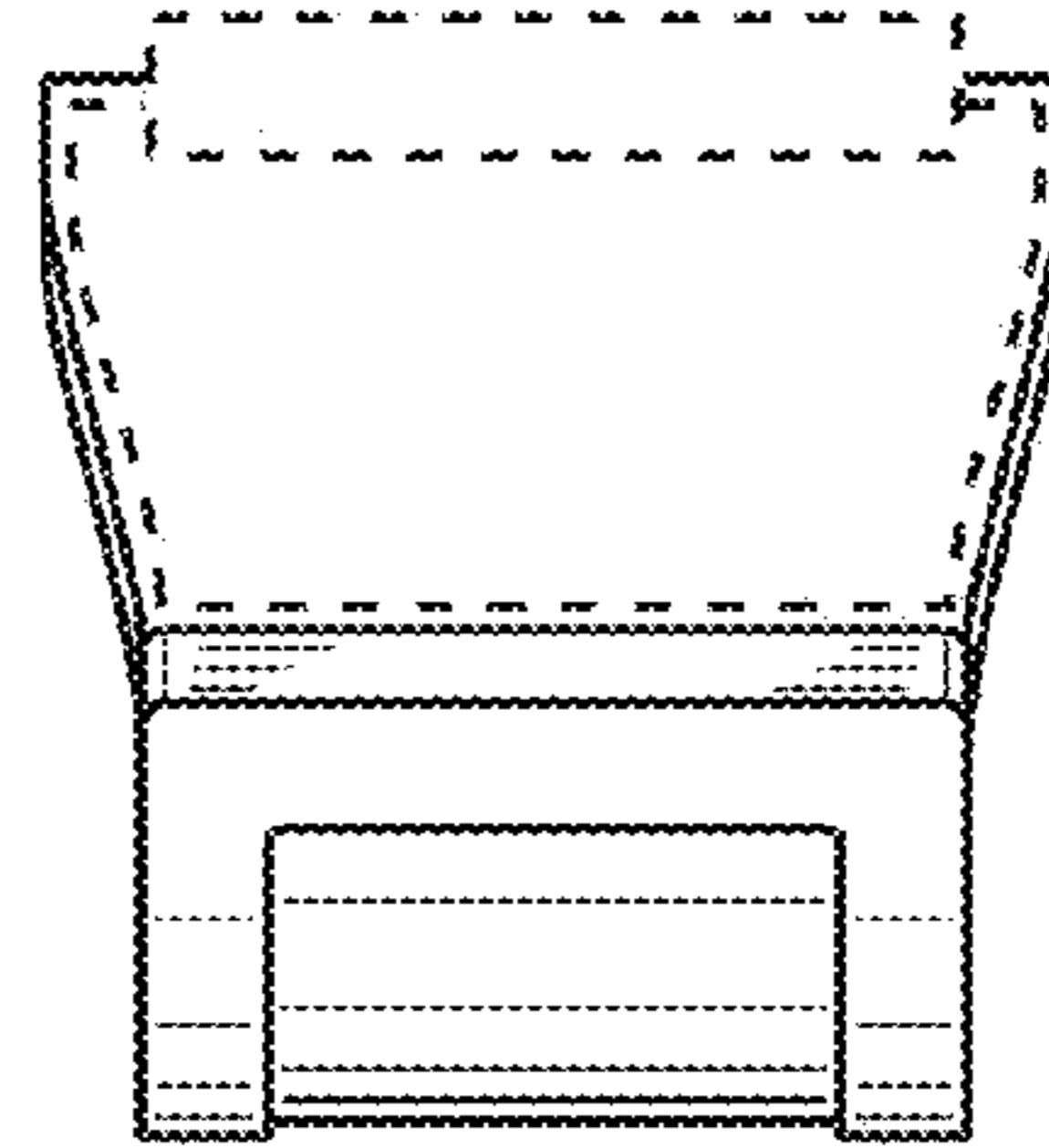


FIG. 6

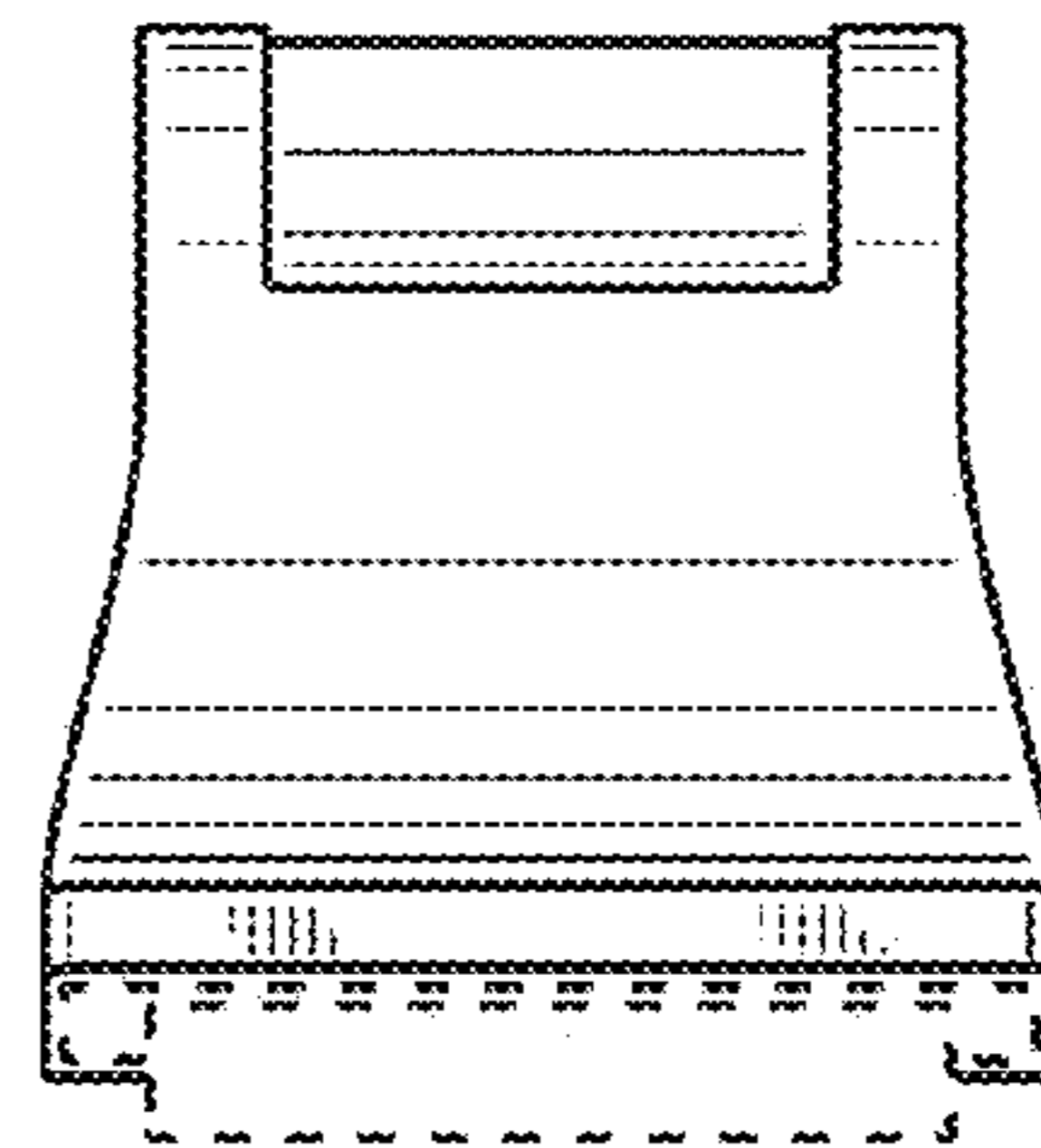


FIG. 7