



US00D739590S

(12) **United States Design Patent**  
**Redfern**

(10) **Patent No.:** **US D739,590 S**

(45) **Date of Patent:** **\*\* Sep. 22, 2015**

(54) **RECESSED LIGHTING FIXTURE**

(56) **References Cited**

(71) Applicant: **ZUMTOBEL LIGHTING GMBH,**  
Lemgo (DE)

U.S. PATENT DOCUMENTS

(72) Inventor: **Chris Redfern,** Milan (IT)

D326,536 S *	5/1992	Gattari .....	D26/74
8,403,541 B1 *	3/2013	Rashidi .....	362/373
D696,446 S *	12/2013	Huh .....	D26/74
D704,371 S *	5/2014	Van De Ven et al. ....	D26/74
D705,472 S *	5/2014	Huh .....	D26/74
D708,381 S *	7/2014	Rashidi .....	D26/74
2011/0075411 A1 *	3/2011	Van De Ven et al. ....	362/235
2011/0222291 A1 *	9/2011	Peng .....	362/294

(73) Assignee: **ZUMTOBEL LIGHTING GMBH,**  
Dornbirn (AT)

(\*\*) Term: **14 Years**

\* cited by examiner

(21) Appl. No.: **29/486,111**

*Primary Examiner* — Cynthia Ramirez

(22) Filed: **Mar. 26, 2014**

*Assistant Examiner* — Llorellys Martinez-Rivera

(74) *Attorney, Agent, or Firm* — Marshall, Gerstein & Borun  
LLP

**Related U.S. Application Data**

(62) Division of application No. 29/457,572, filed on Jun.  
11, 2013.

(57) **CLAIM**

The ornamental design for a recessed lighting fixture, as  
shown and described.

**Foreign Application Priority Data**

Dec. 20, 2012 (EM) ..... 001 355 283

**DESCRIPTION**

(51) **LOC (10) Cl.** ..... **26-05**

(52) **U.S. Cl.**  
USPC ..... **D26/74**

(58) **Field of Classification Search**  
USPC ..... D26/24, 26, 60, 67–74, 80, 81, 83, 85,  
D26/88, 89, 91, 113, 118–120, 124, 138,  
D26/140, 142, 149, 155, 172, 184, 195,  
D26/204; 362/145–148, 150–153, 153.1,  
362/217.06, 217.07, 219, 235, 249.02,  
362/296.01, 296.07, 296.08, 311.07,  
362/311.09, 311.1, 345, 362, 364, 365, 366,  
362/373

CPC ..... F21V 29/004; F21V 29/2206  
See application file for complete search history.

FIG. 1 is a front, right-side, and bottom isometric view of a  
recessed lighting fixture showing the new design.

FIG. 2 is a front elevation view of the recessed lighting fix-  
ture.

FIG. 3 is a back elevation view of the recessed lighting fixture.  
FIG. 4 is right-side elevation view of the recessed lighting  
fixture.

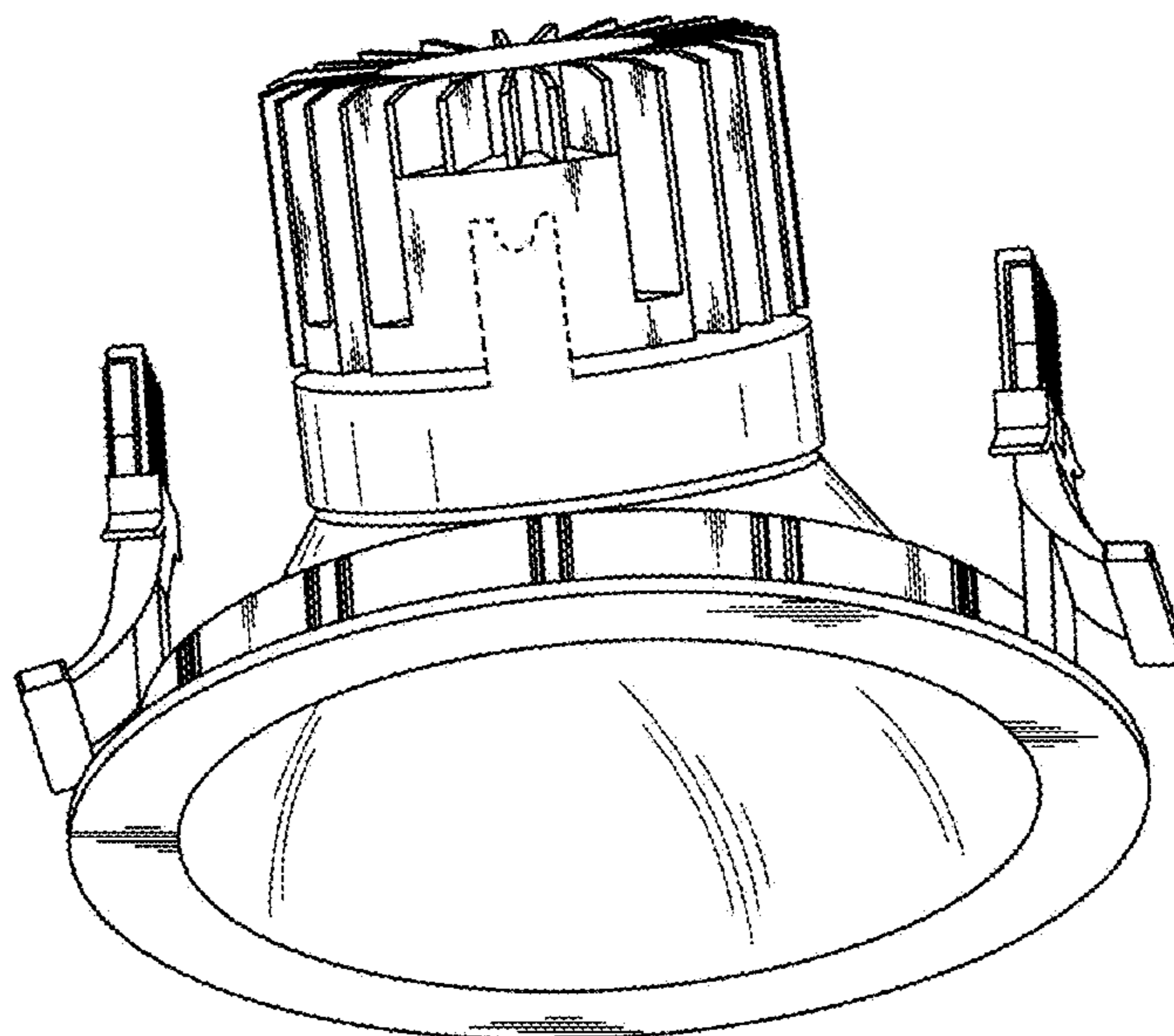
FIG. 5 is a left-side elevation view of the recessed lighting  
fixture.

FIG. 6 is a bottom plan view of the recessed lighting fixture;  
and,

FIG. 7 is a top plan view of the recessed lighting fixture.

The broken lines shown in FIGS. 1, 2, 4 and 5 illustrate  
portions of the recessed lighting fixture which form no part of  
the claimed design.

**1 Claim, 7 Drawing Sheets**



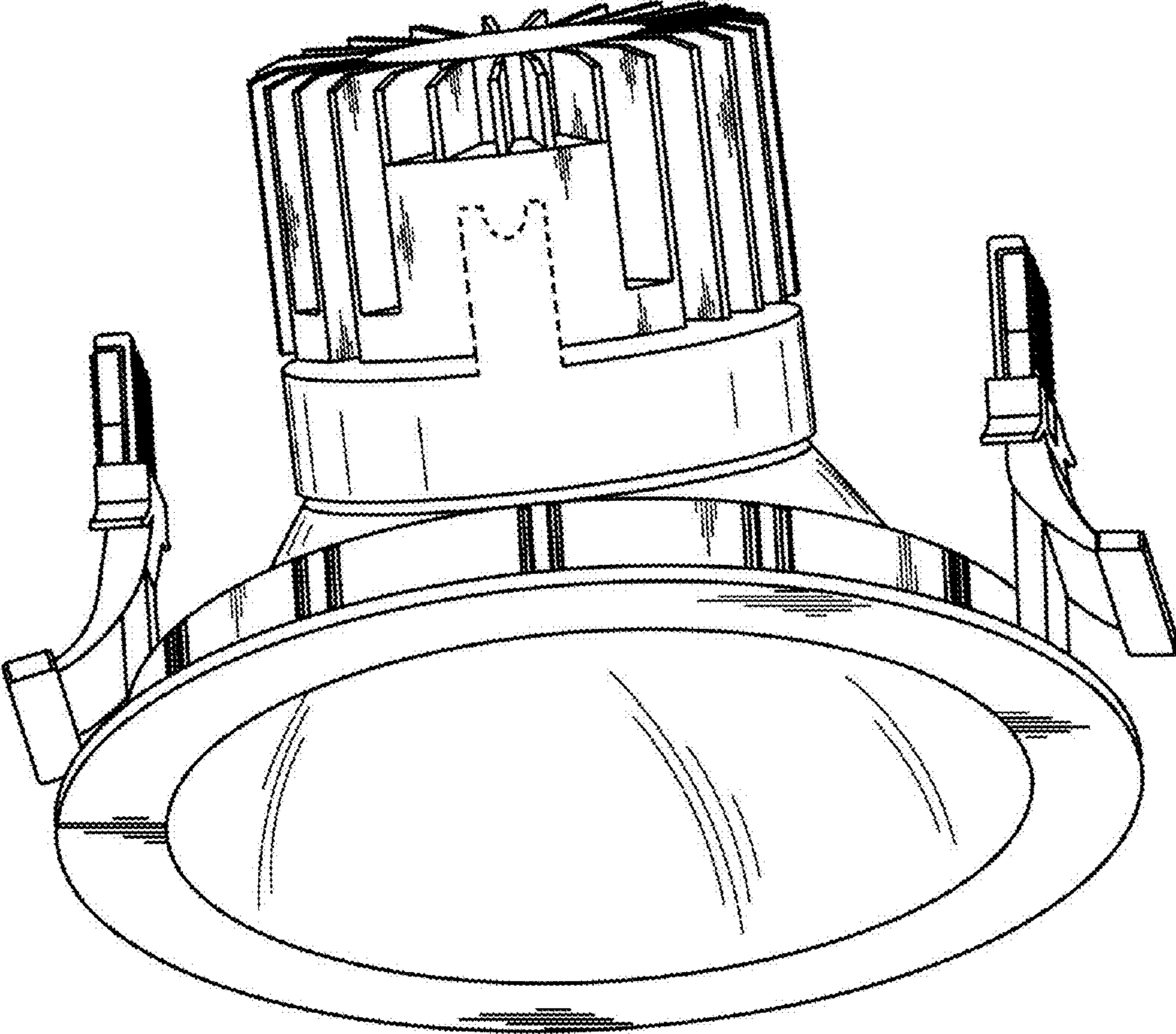


Fig. 1

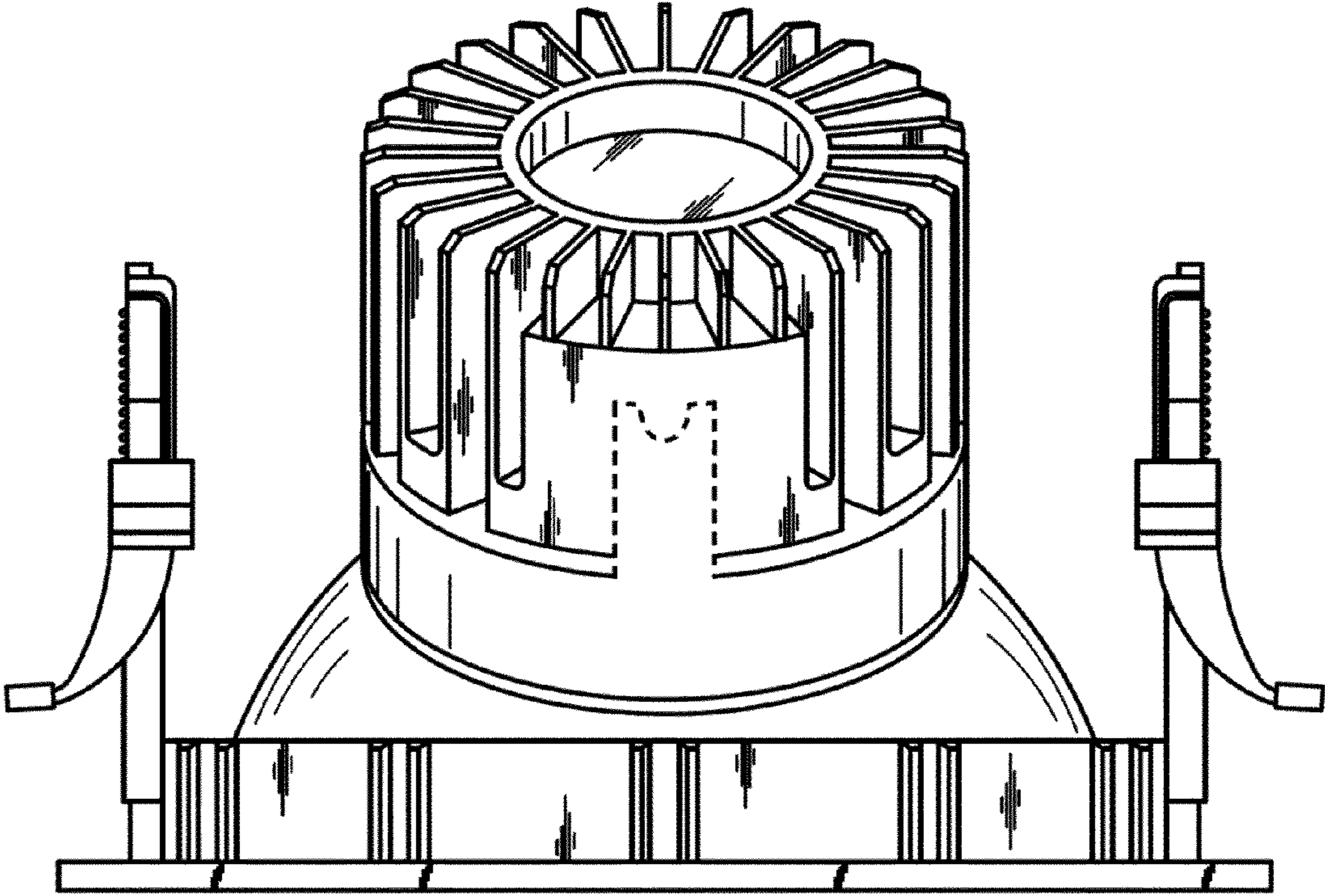


Fig. 2

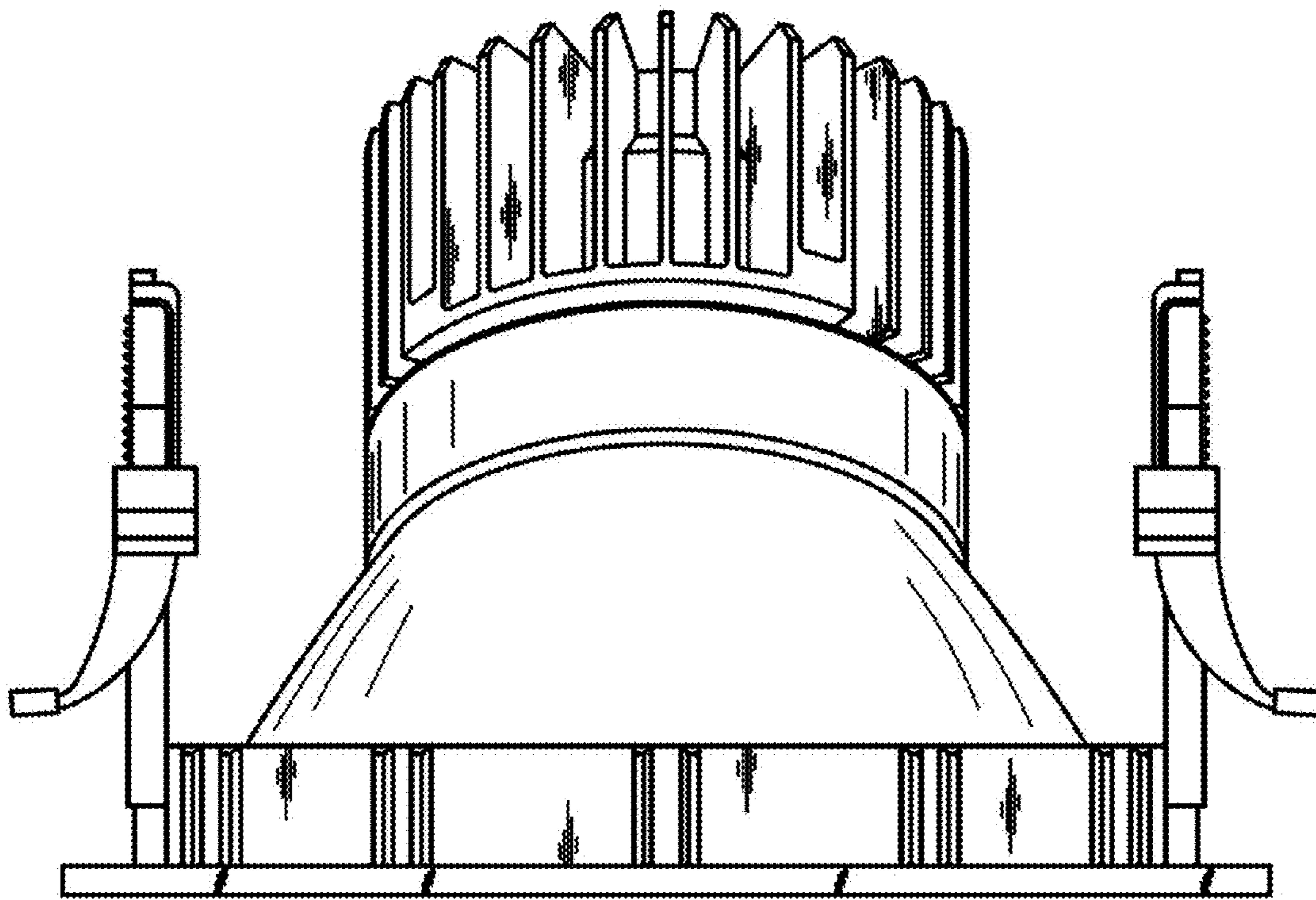


Fig. 3

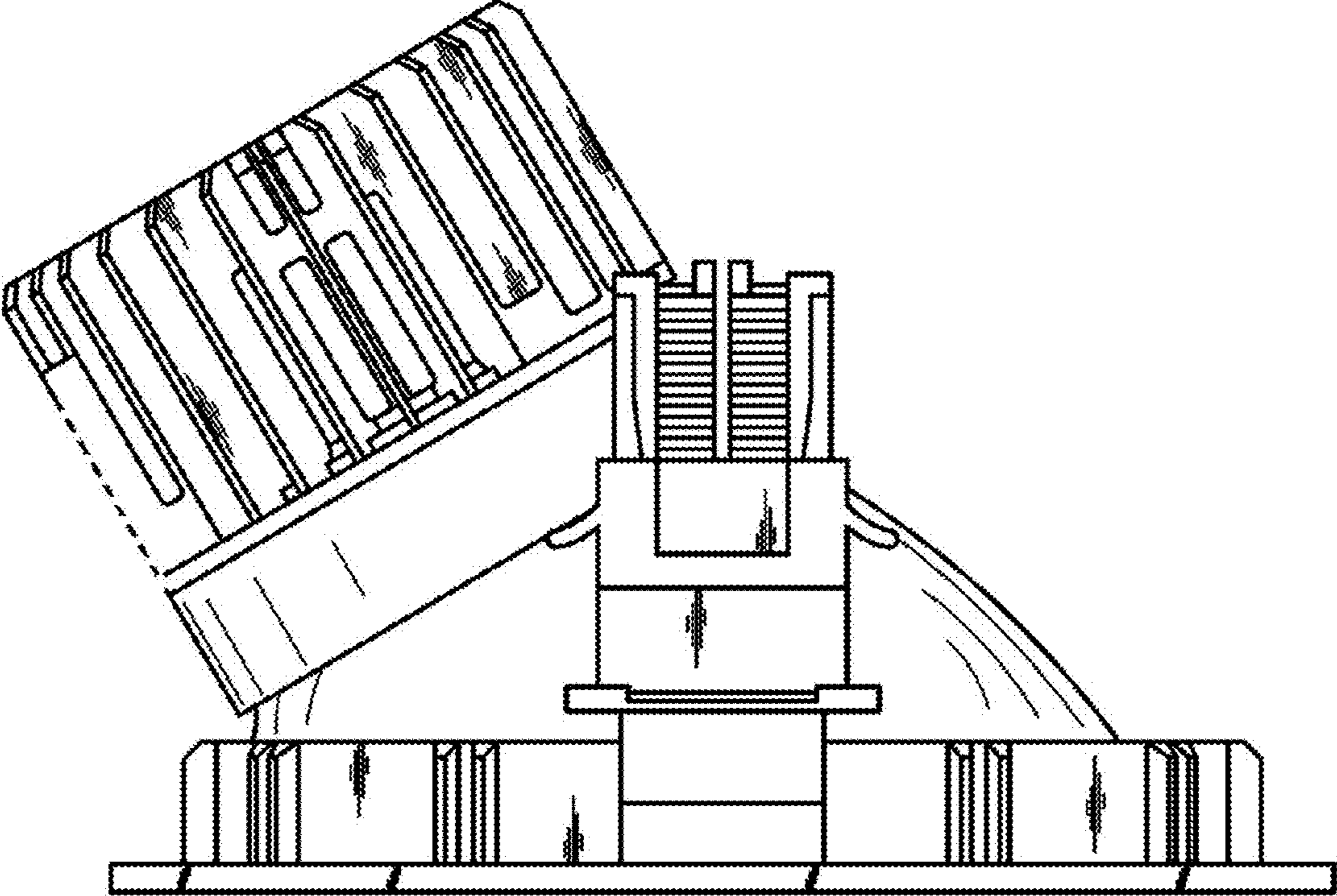


Fig. 4

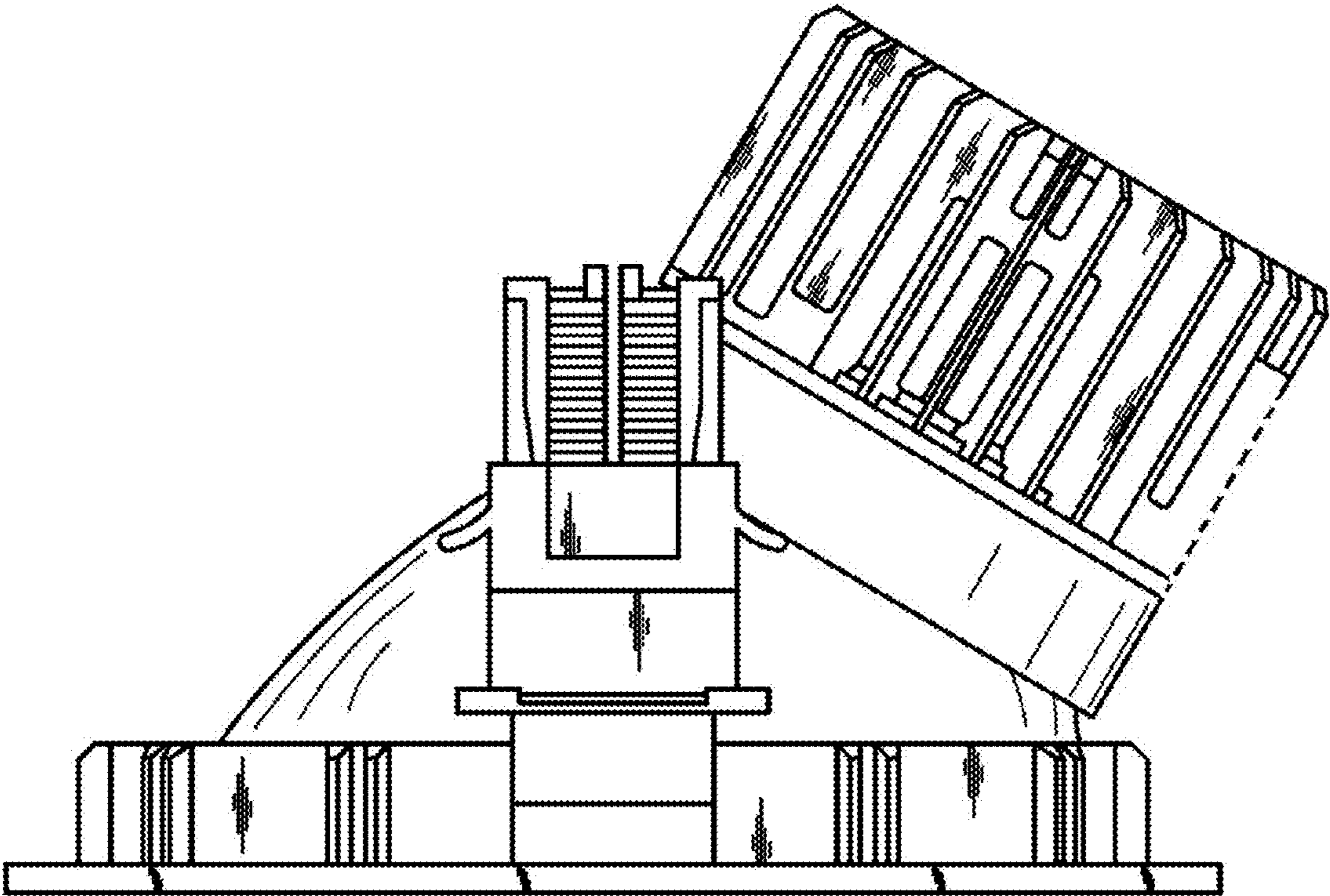


Fig. 5

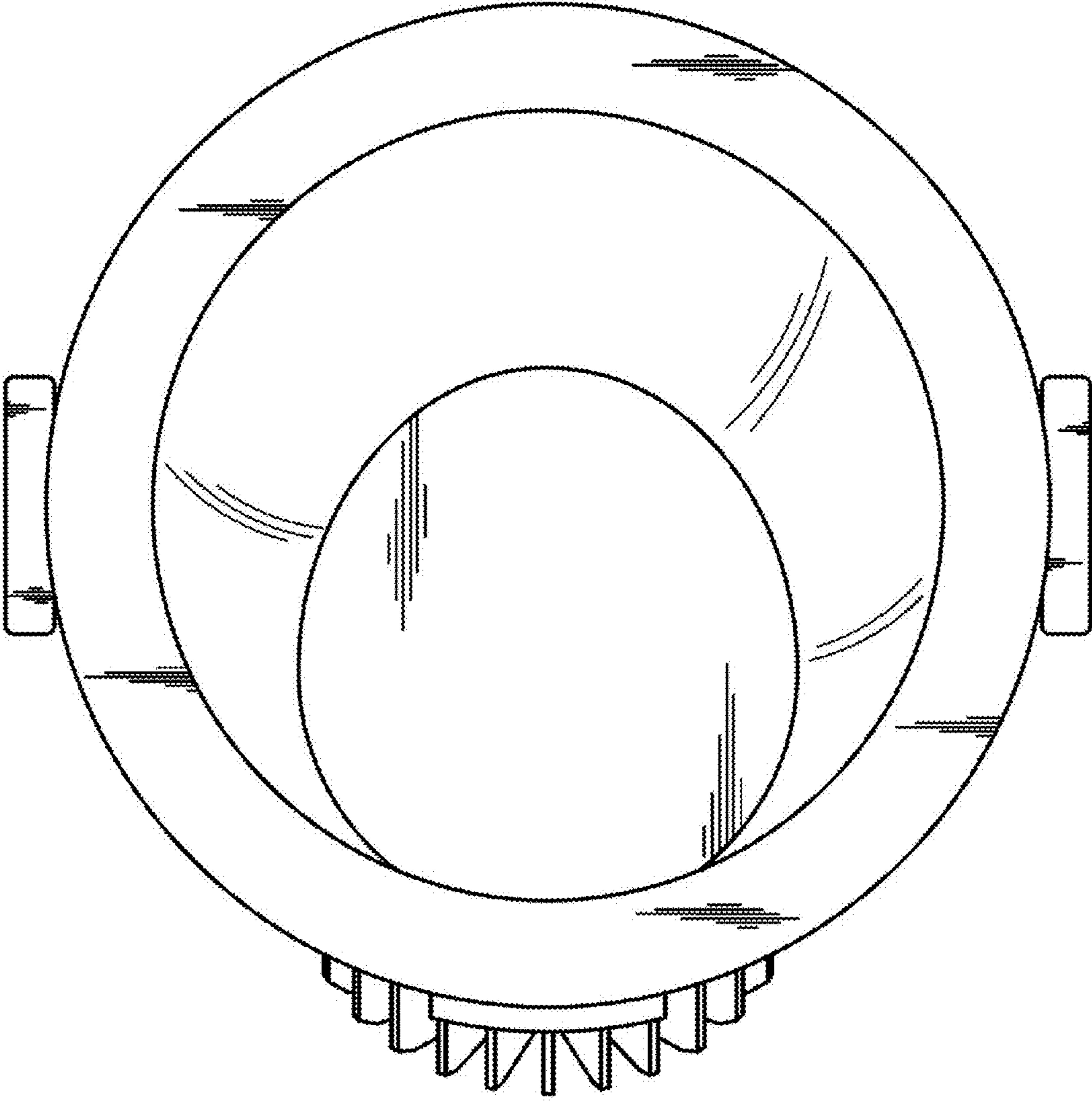


Fig. 6

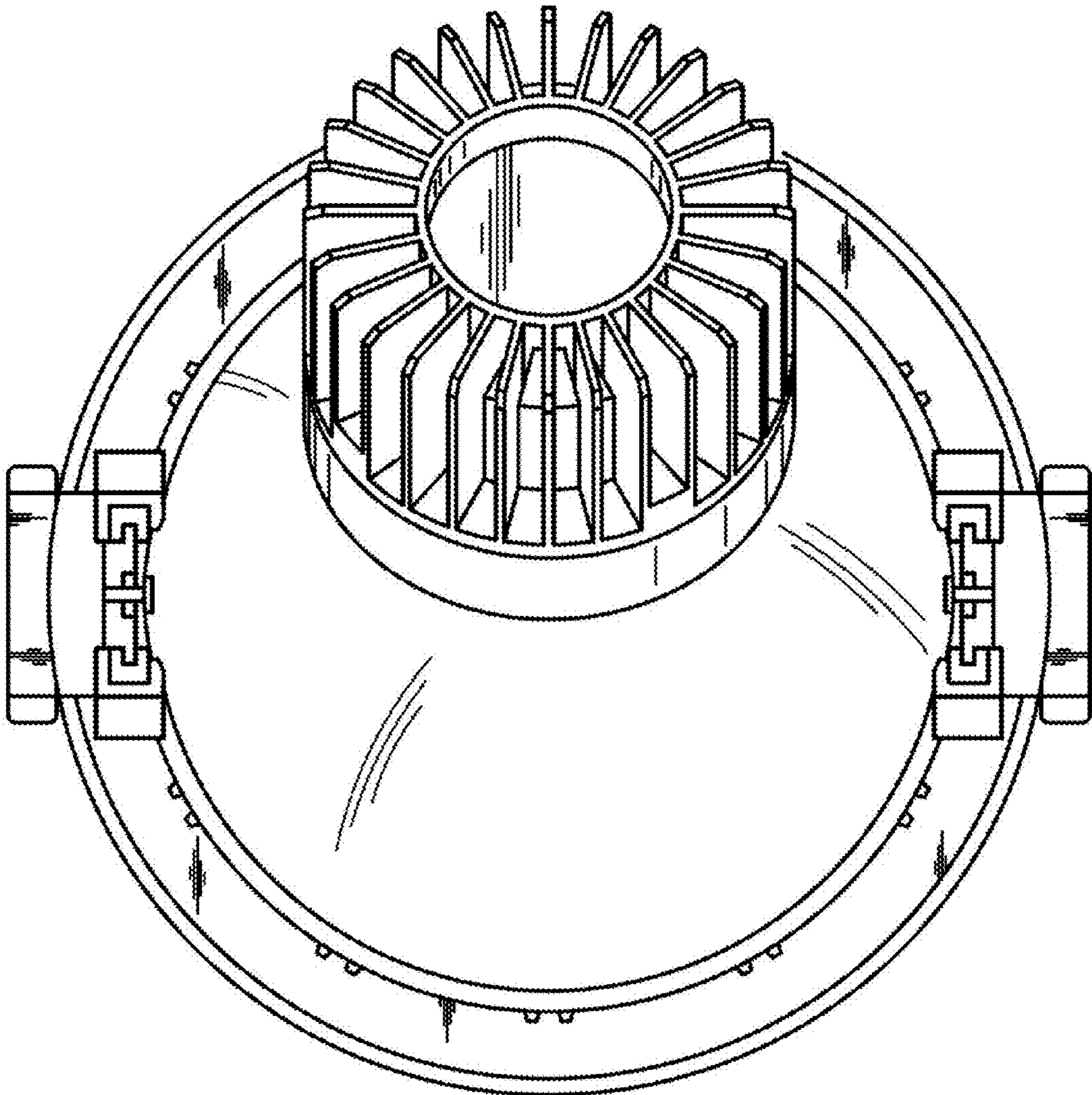


Fig. 7



UNITED STATES PATENT AND TRADEMARK OFFICE  
**CERTIFICATE OF CORRECTION**

PATENT NO. : D739,590 S  
APPLICATION NO. : 29/486111  
DATED : September 22, 2015  
INVENTOR(S) : Chris Redfern

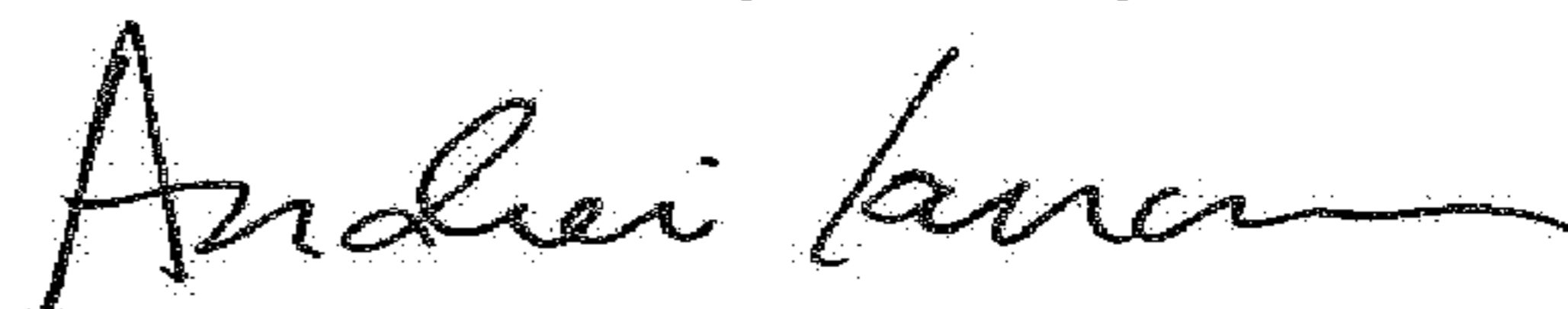
Page 1 of 1

It is certified that error appears in the above-identified patent and that said Letters Patent is hereby corrected as shown below:

On the Title Page

At item (73), Line 5, "Dornbirn (AT)" should be -- Lemgo (DE) --.

Signed and Sealed this  
Fifteenth Day of May, 2018



Andrei Iancu  
*Director of the United States Patent and Trademark Office*