



US00D739589S

(12) **United States Design Patent**
Macura

(10) **Patent No.:** **US D739,589 S**

(45) **Date of Patent:** **** Sep. 22, 2015**

(54) **LUMINAIRE FOR ROAD LIGHTING**

(71) Applicant: **KONINKLIJKE PHILIPS N.V.**,
Eindhoven (NL)

(72) Inventor: **Marko Macura**, Eindhoven (NL)

(73) Assignee: **KONINKLIJKE PHILIPS N.V.**,
Eindhoven (NL)

(**) Term: **14 Years**

(21) Appl. No.: **29/491,313**

(22) Filed: **May 20, 2014**

(30) **Foreign Application Priority Data**

Nov. 22, 2013 (EM) 002350629-0002

(51) **LOC (10) Cl.** **26-05**

(52) **U.S. Cl.**
USPC **D26/67**

(58) **Field of Classification Search**
USPC D26/2, 67, 68, 70
CPC F21S 8/085; F21S 8/086; F21S 8/088;
F21V 21/14
See application file for complete search history.

(56) **References Cited**

U.S. PATENT DOCUMENTS

D28,452 S * 4/1898 Miller D26/2
D196,981 S * 11/1963 Pettengill D26/67
D197,381 S * 1/1964 Mueller D26/67
D201,515 S * 6/1965 Pettengill D26/67
3,339,065 A * 8/1967 Kelley, Jr. 362/363

3,482,087 A * 12/1969 Kelley, Jr. 362/311.06
D218,985 S * 10/1970 Anderson D26/67
D284,792 S * 7/1986 Thiry et al. D26/2
D329,099 S * 9/1992 Hall et al. D26/67
D338,080 S * 8/1993 Elazari D26/68
D377,401 S * 1/1997 Chelsea D26/110
6,227,683 B1 * 5/2001 Tukia 362/303
D517,717 S * 3/2006 Sanoner D26/68
D517,719 S * 3/2006 Sanoner D26/68
D574,103 S * 7/2008 Minami et al. D26/67
D574,537 S * 8/2008 Sanoner D26/67
D614,789 S * 4/2010 van Klinken D26/67
D615,682 S * 5/2010 van Klinken D26/67
D621,532 S * 8/2010 van Klinken D26/2
D698,064 S * 1/2014 Macura D26/68
8,684,564 B2 * 4/2014 Shen et al. 362/294

* cited by examiner

Primary Examiner — Clare E Heflin

(57) **CLAIM**

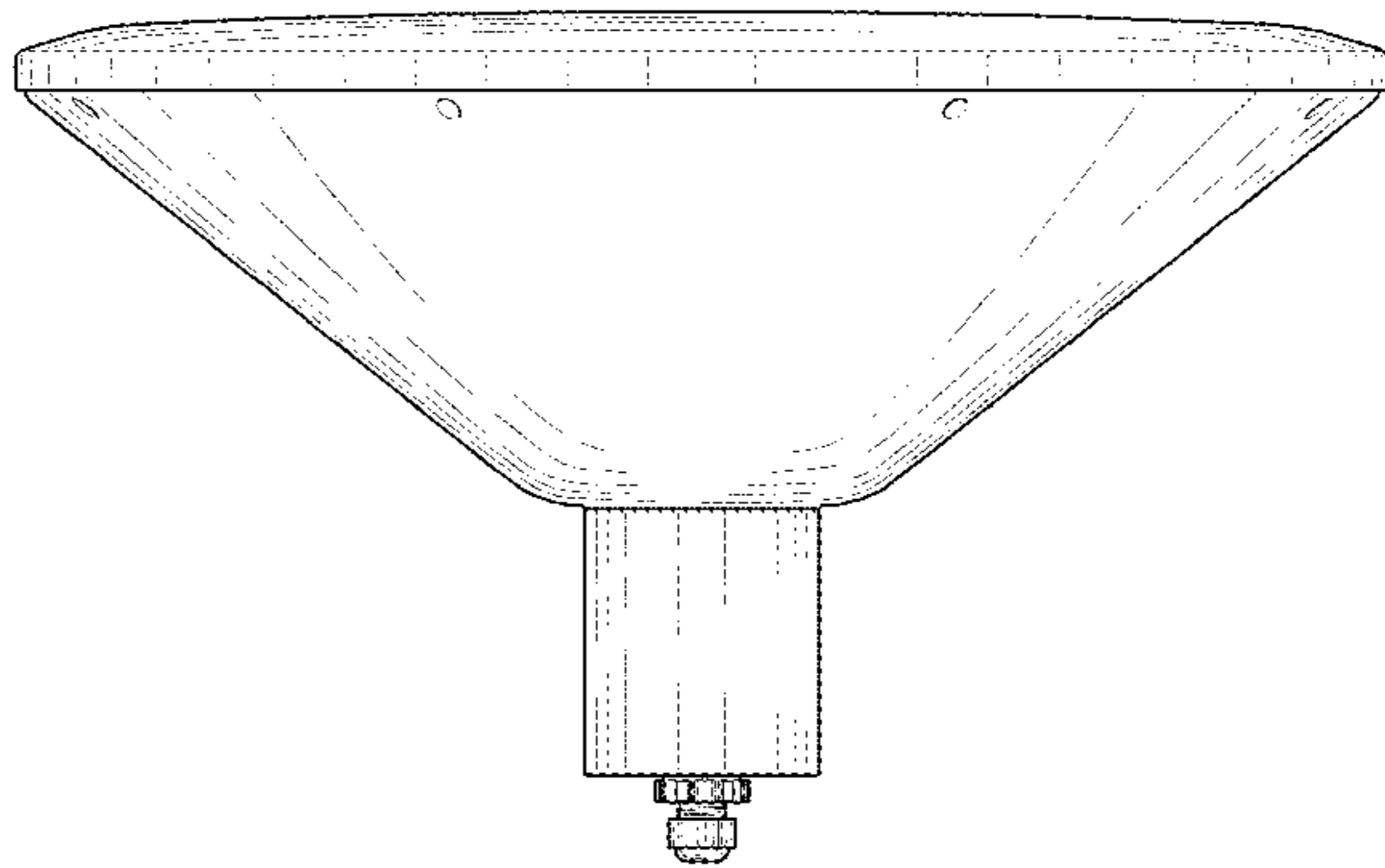
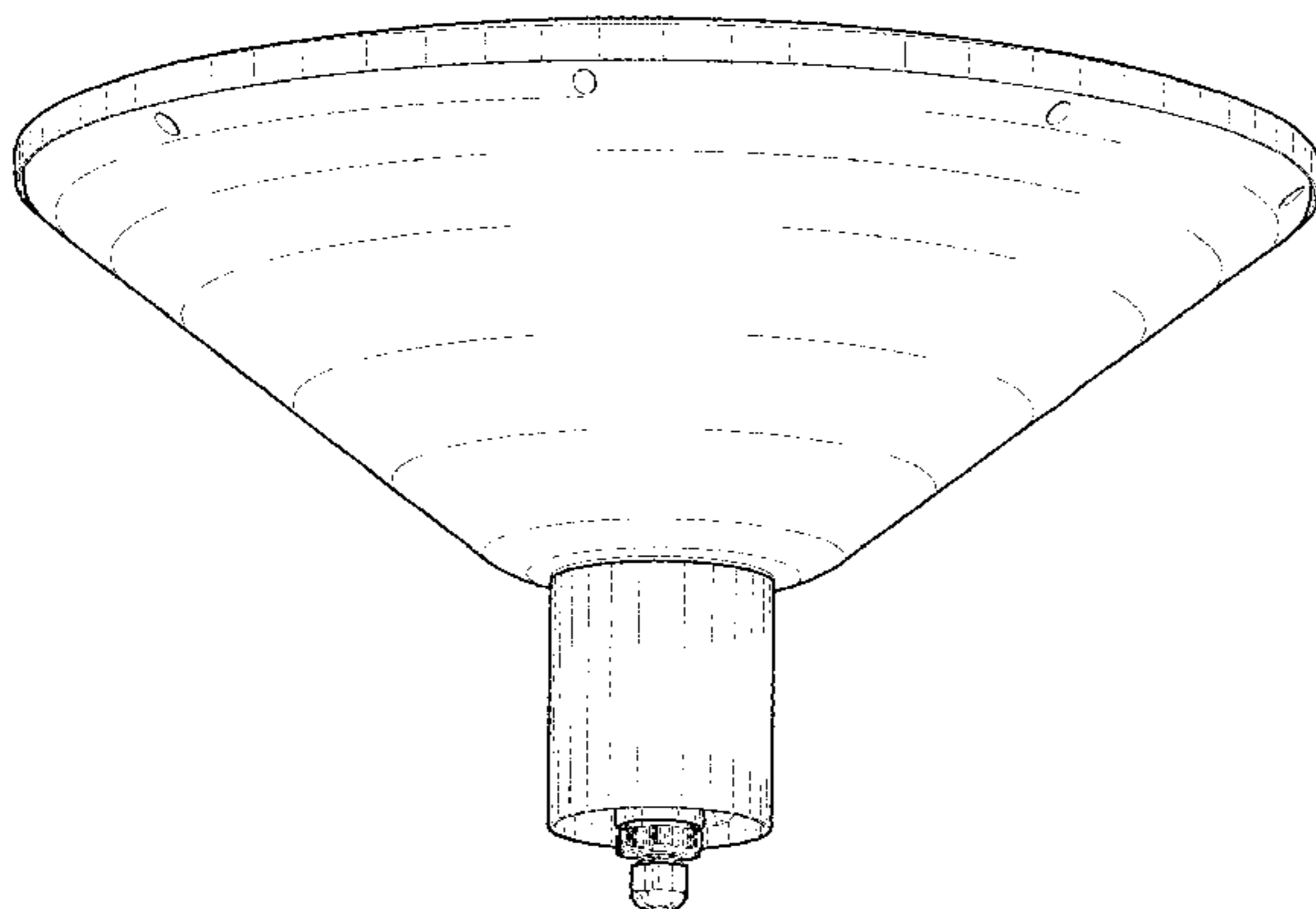
The ornamental design for a luminaire for road lighting, as shown and described.

DESCRIPTION

FIG. 1 is a perspective view showing my design;
FIG. 2 is a front elevational view thereof;
FIG. 3 is a rear elevational view thereof;
FIG. 4 is a right side elevational view thereof;
FIG. 5 is a left side elevational view thereof;
FIG. 6 is a top plan view thereof; and,
FIG. 7 is a bottom plan view thereof.

The broken lines shown on the drawings depict portions of the luminaire for road lighting that form no part of the claimed design.

1 Claim, 5 Drawing Sheets



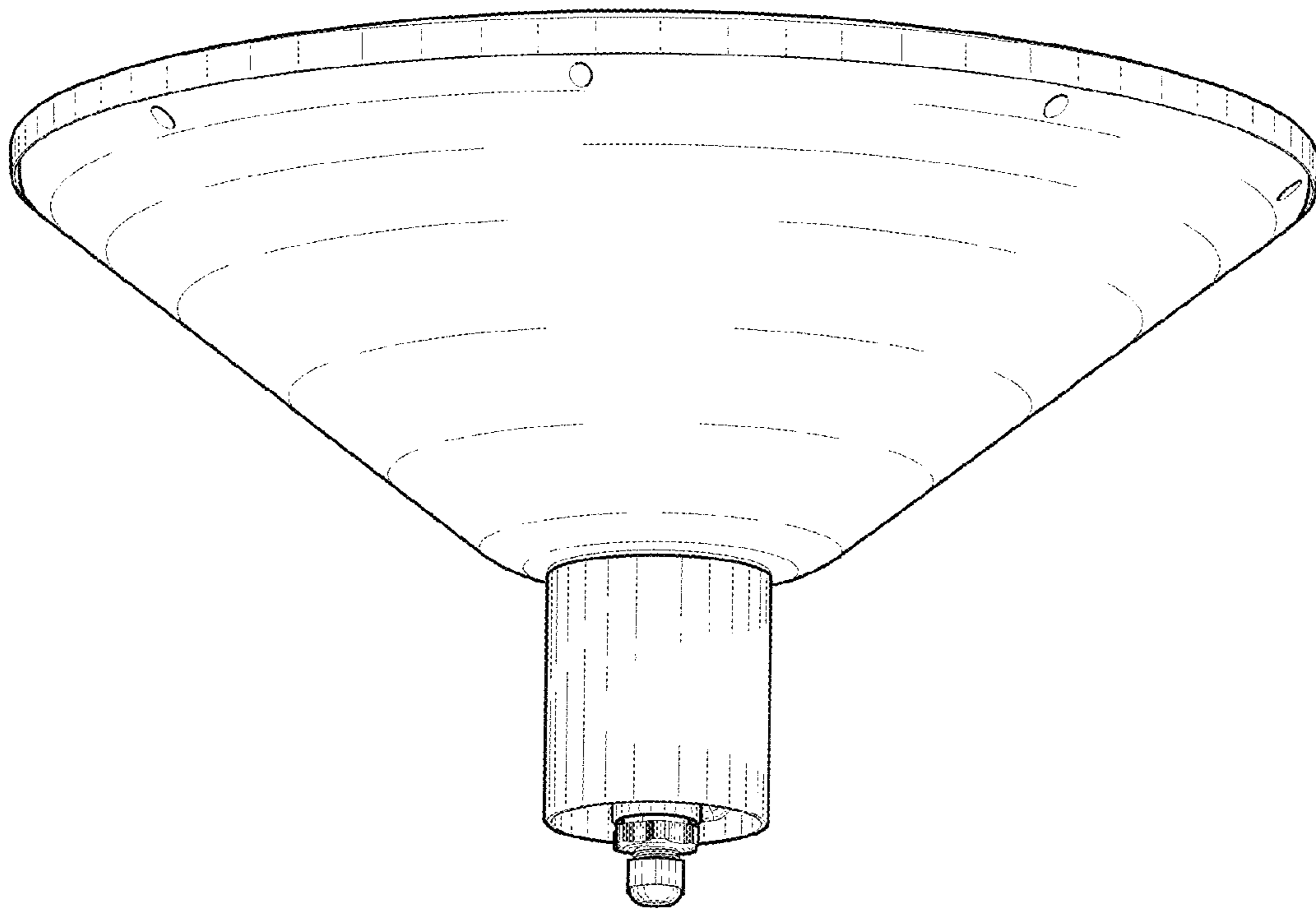


FIG. 1

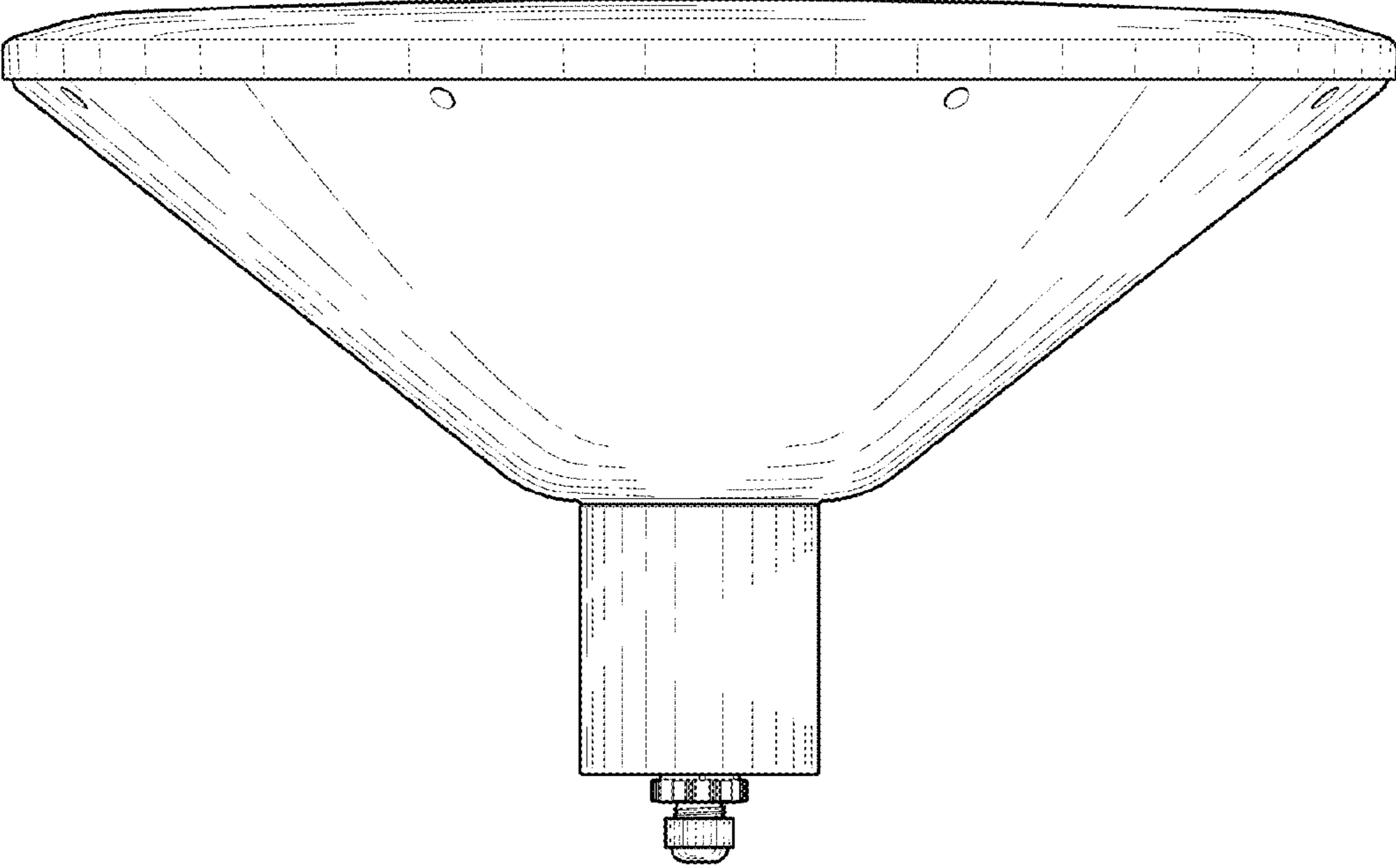


FIG. 2

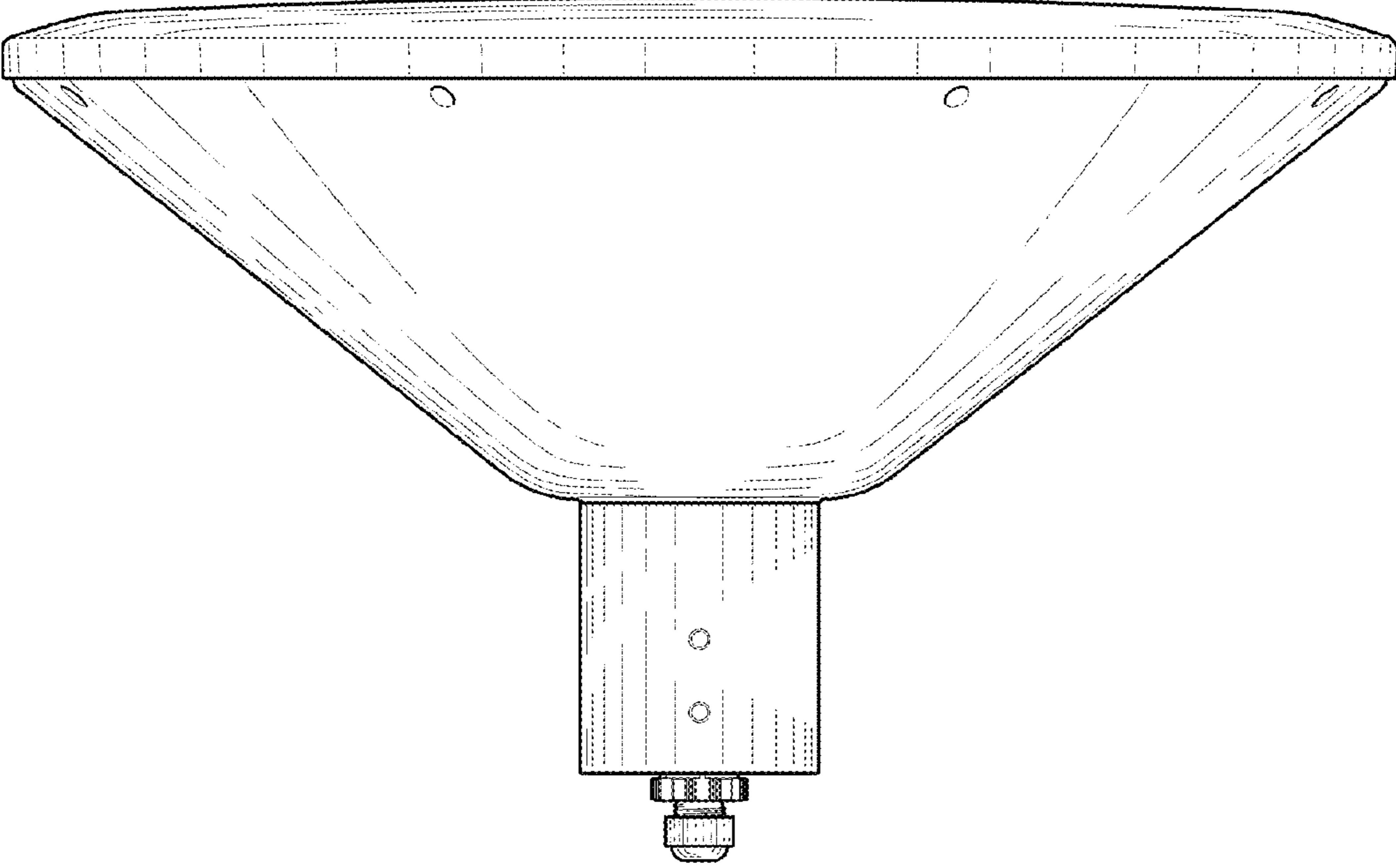


FIG. 3

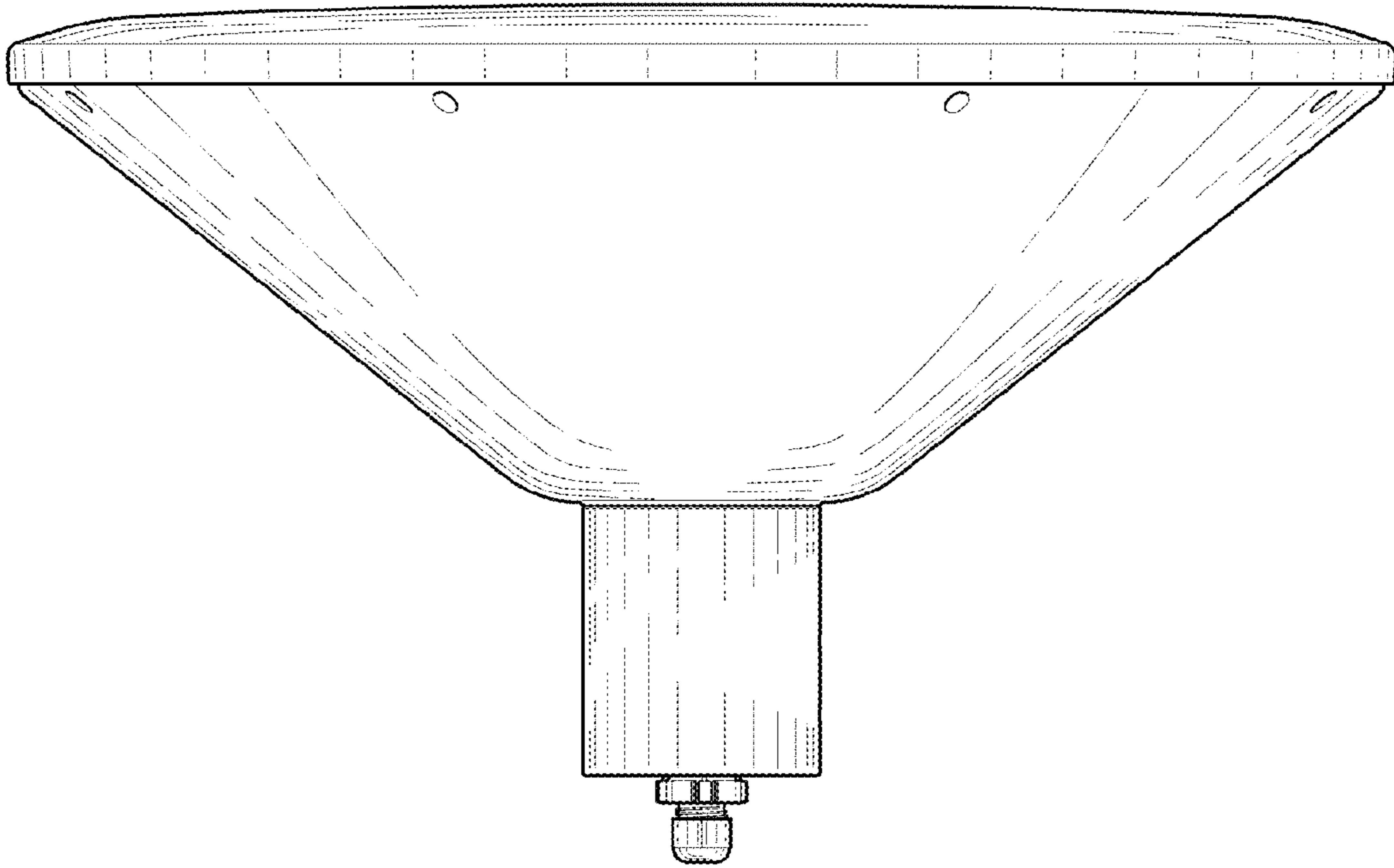


FIG. 4

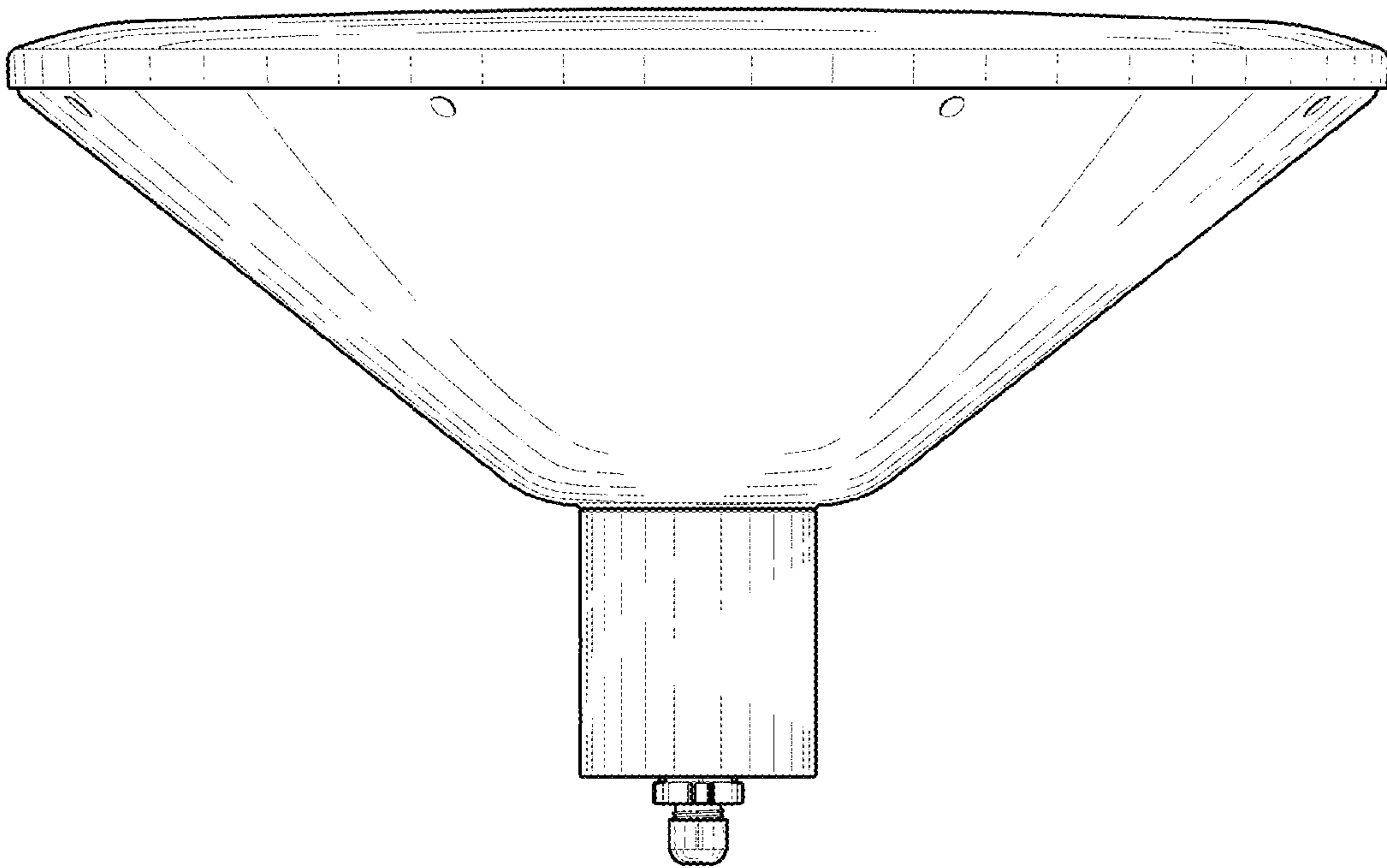


FIG. 5

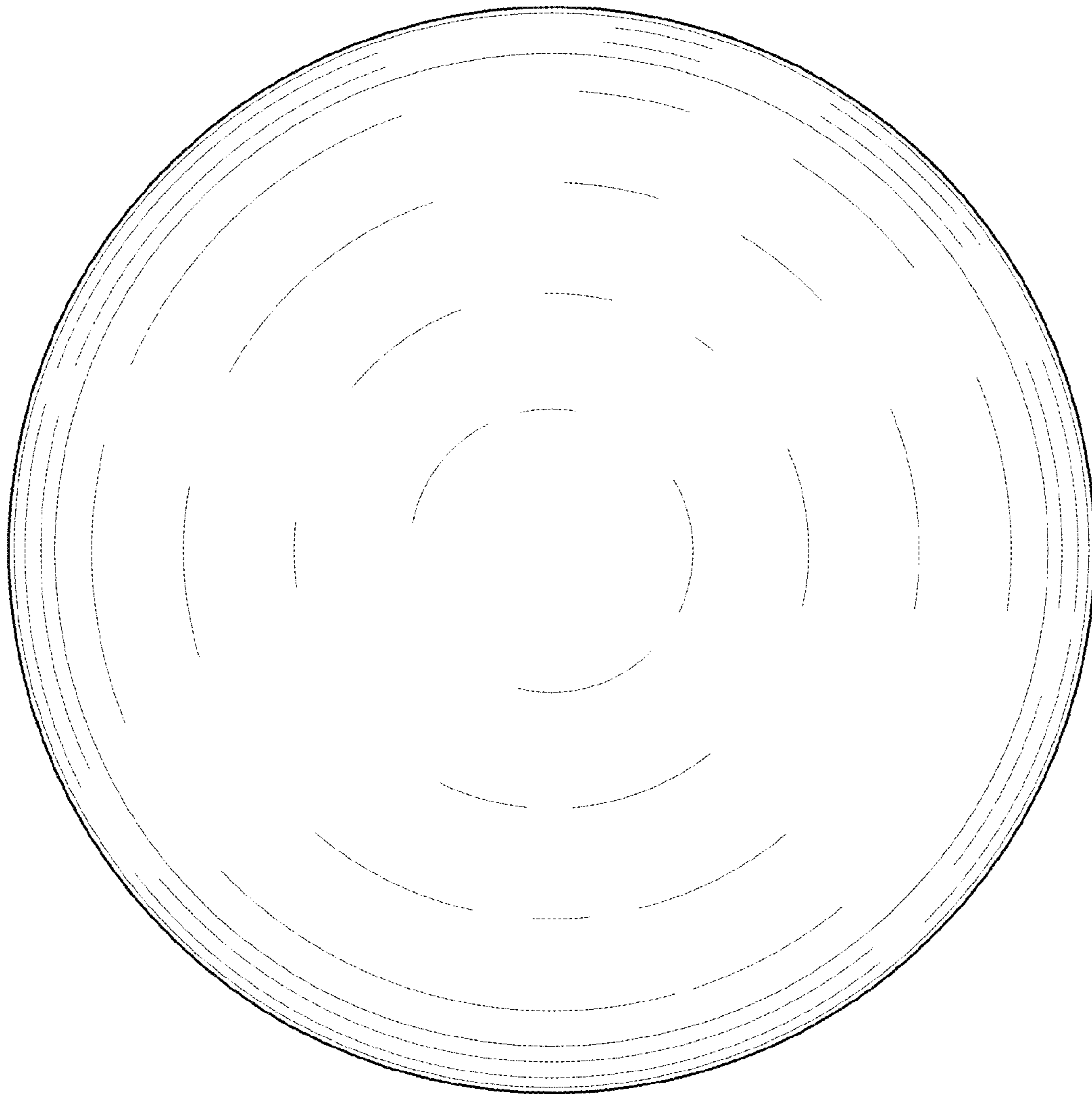


FIG. 6

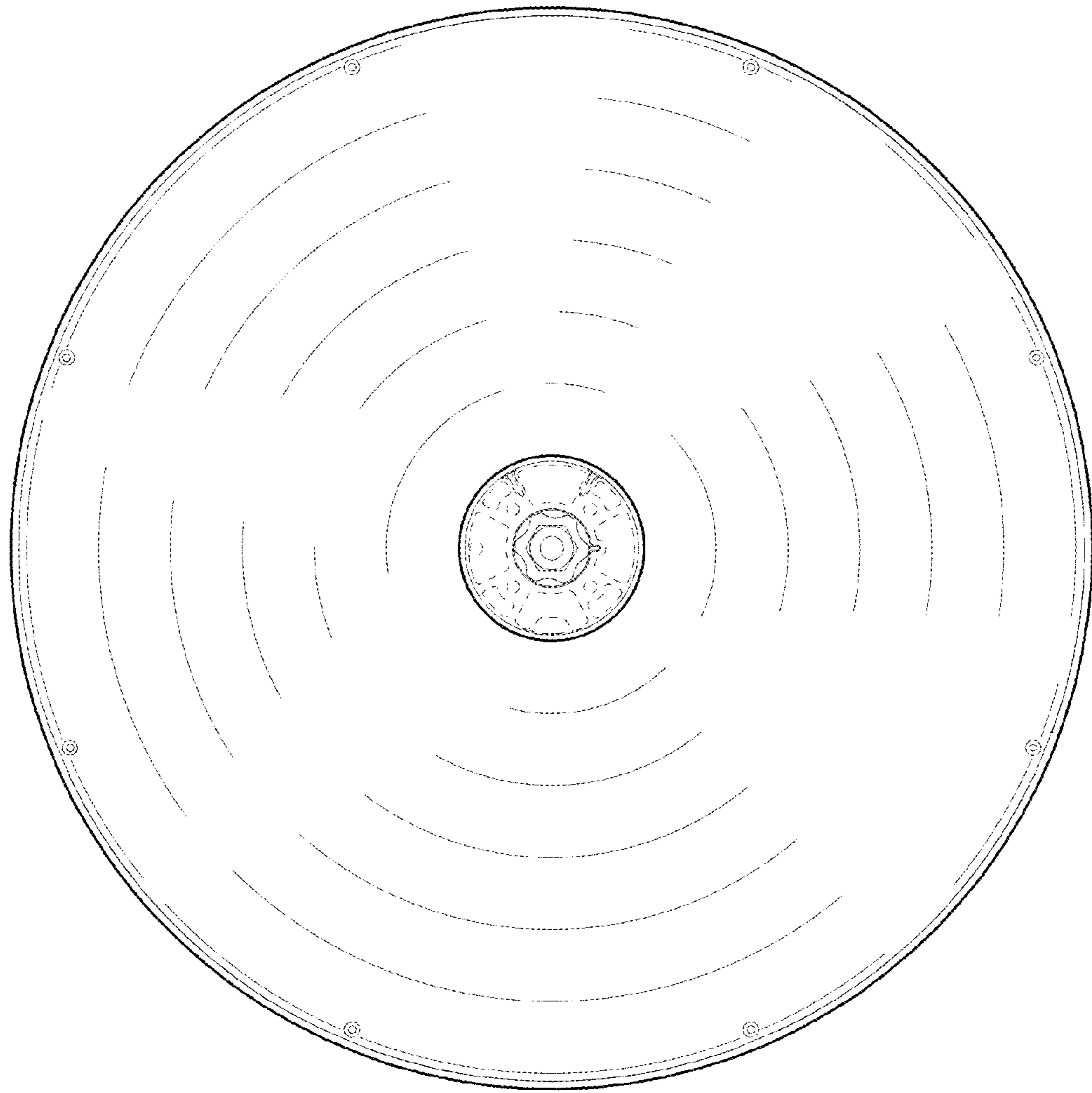


FIG. 7