



US00D739587S

(12) **United States Design Patent**
Largent

(10) **Patent No.:** **US D739,587 S**

(45) **Date of Patent:** **** Sep. 22, 2015**

(54) **LIGHT FIXTURE**

(71) Applicant: **Christopher P. Largent**, Phoenix, AZ
(US)

(72) Inventor: **Christopher P. Largent**, Phoenix, AZ
(US)

(73) Assignee: **JST Performance, LLC**, Gilbert, AZ
(US)

(**) Term: **14 Years**

(21) Appl. No.: **29/465,815**

(22) Filed: **Aug. 30, 2013**

(51) **LOC (10) Cl.** **26-05**

(52) **U.S. Cl.**
USPC **D26/63**; D26/72

(58) **Field of Classification Search**
USPC D26/24, 26, 59, 63, 72, 85, 89, 118,
D26/128, 130, 134-136, 139; 362/147, 350,
362/373, 269, 277, 282, 285, 287, 294, 413
See application file for complete search history.

(56) **References Cited**

U.S. PATENT DOCUMENTS

D56,746 S *	12/1920	Ghiglieri	D26/63
D58,676 S *	8/1921	Macneale	D26/139
D64,664 S *	5/1924	Godley	D26/139
2,539,819 A *	1/1951	Dominick	362/317
D176,636 S *	1/1956	Simon	D26/139
D197,187 S *	12/1963	Laskar	D26/89
D203,404 S *	1/1966	Husby et al.	D26/63
D417,024 S *	11/1999	Stuyfzand	D26/63
D531,750 S *	11/2006	Lin	D26/139
D564,689 S *	3/2008	Korpi	D26/63
D572,856 S *	7/2008	Kehl et al.	D26/61
D573,297 S *	7/2008	Beadle	D26/118
D589,636 S *	3/2009	Pinette	D26/63
D605,789 S *	12/2009	Ko	D26/28
D613,440 S *	4/2010	Lindholm	D26/63
D651,733 S *	1/2012	Becker	D26/63

D651,735 S *	1/2012	Dai	D26/72
D660,506 S *	5/2012	McMahan	D26/118
D664,285 S *	7/2012	Toft	D26/118
D668,811 S *	10/2012	Peter	D26/89
D673,320 S *	12/2012	Guercio et al.	D26/89
D675,367 S *	1/2013	Maxik	D26/118
D676,162 S *	2/2013	Adams	D26/28
D690,450 S *	9/2013	Guercio et al.	D26/72
D694,928 S *	12/2013	Chen	D26/63

* cited by examiner

Primary Examiner — Clare E Heflin

(57) **CLAIM**

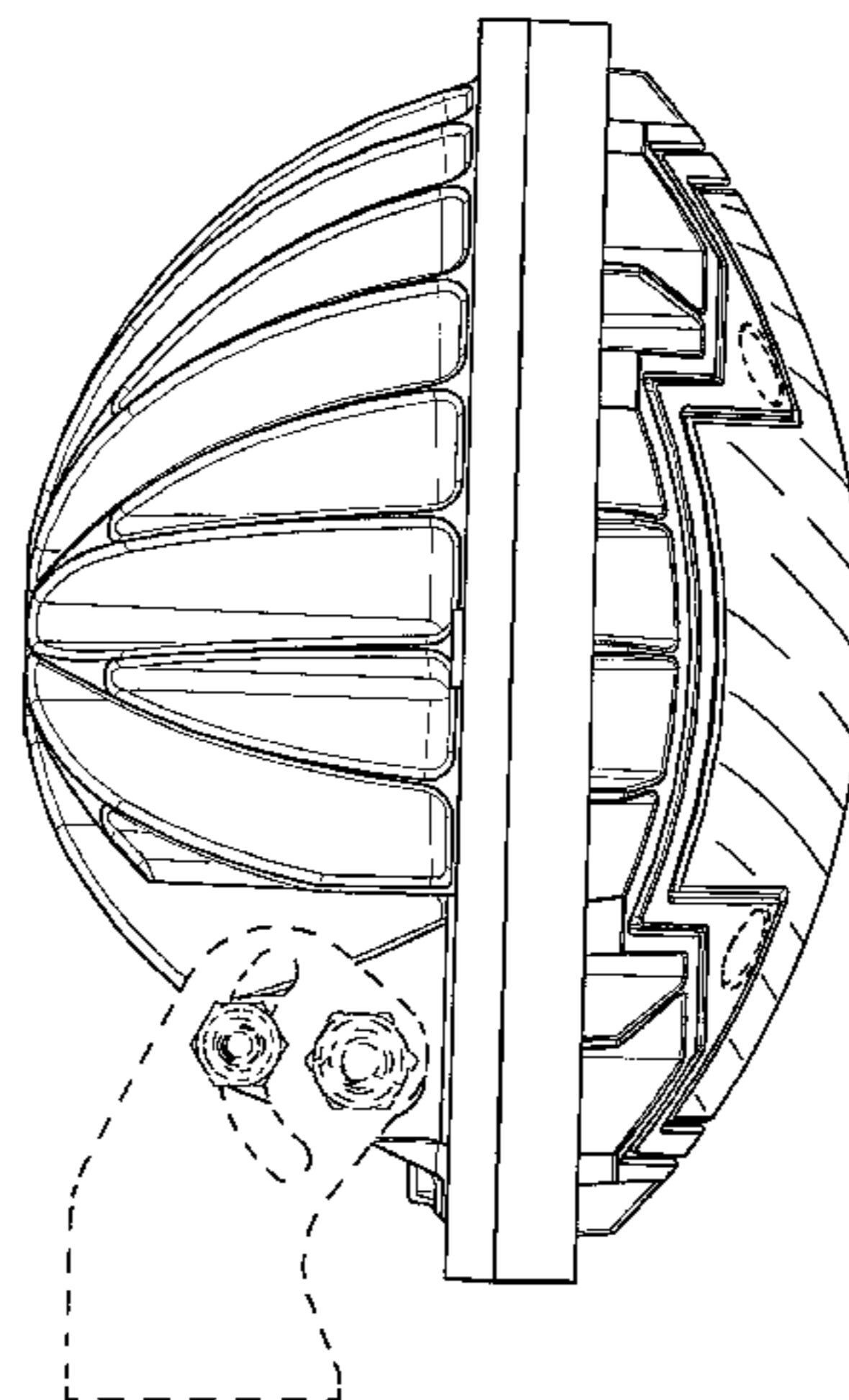
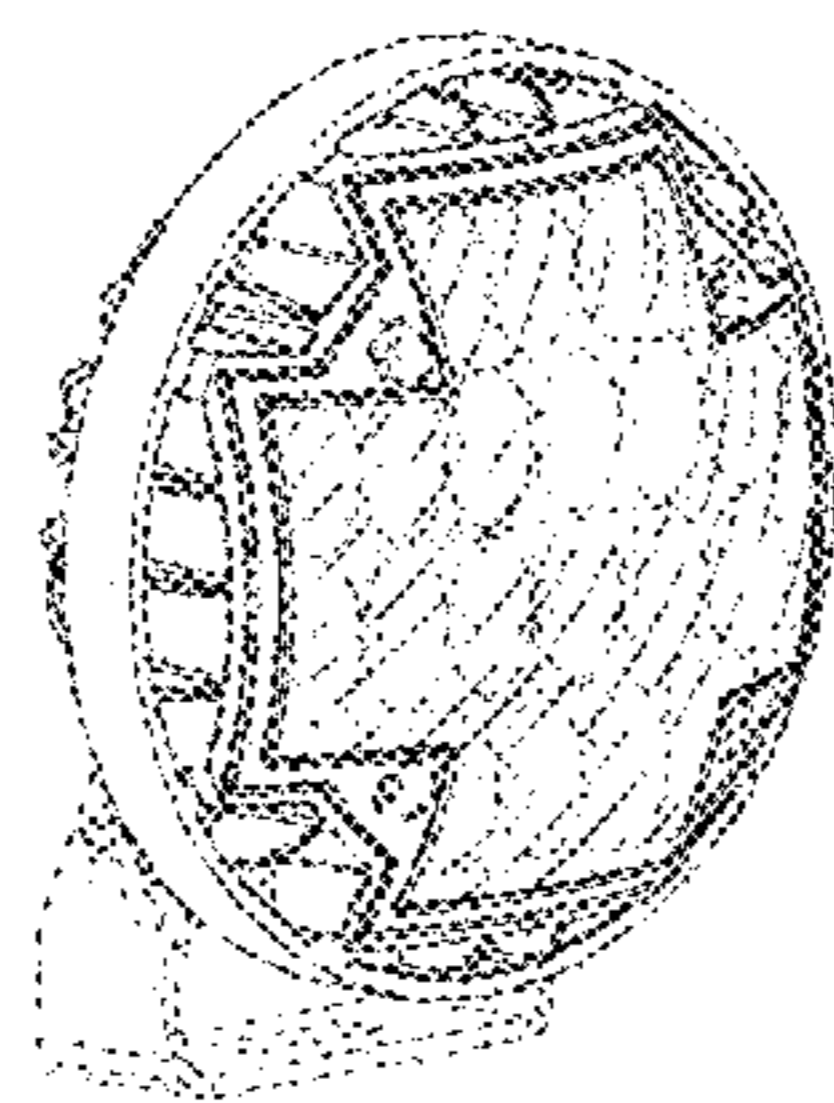
The ornamental design for a light fixture, as shown and described.

DESCRIPTION

FIG. 1 is a front and left side perspective view of my new design for a light fixture;
 FIG. 2 is a front and right side perspective view thereof;
 FIG. 3 is a second embodiment of FIG. 1, the only difference being the configuration of the lens;
 FIG. 4 is a second embodiment of FIG. 2, the only difference being the configuration of the lens;
 FIG. 5 is a third embodiment of FIG. 1, the only difference being the configuration of the lens;
 FIG. 6 is a third embodiment of FIG. 2, the only difference being the configuration of the lens;
 FIG. 7 is a back and left side perspective view thereof;
 FIG. 8 is a back and right side perspective view thereof;
 FIG. 9 is a front side view thereof;
 FIG. 10 is a back side view thereof;
 FIG. 11 is a left side view thereof;
 FIG. 12 is a right side view thereof;
 FIG. 13 is a top side view thereof; and,
 FIG. 14 is a bottom side view thereof.

The broken lines showing environment in the drawings are for illustrative purposes only and form no part of the claimed design.

1 Claim, 10 Drawing Sheets



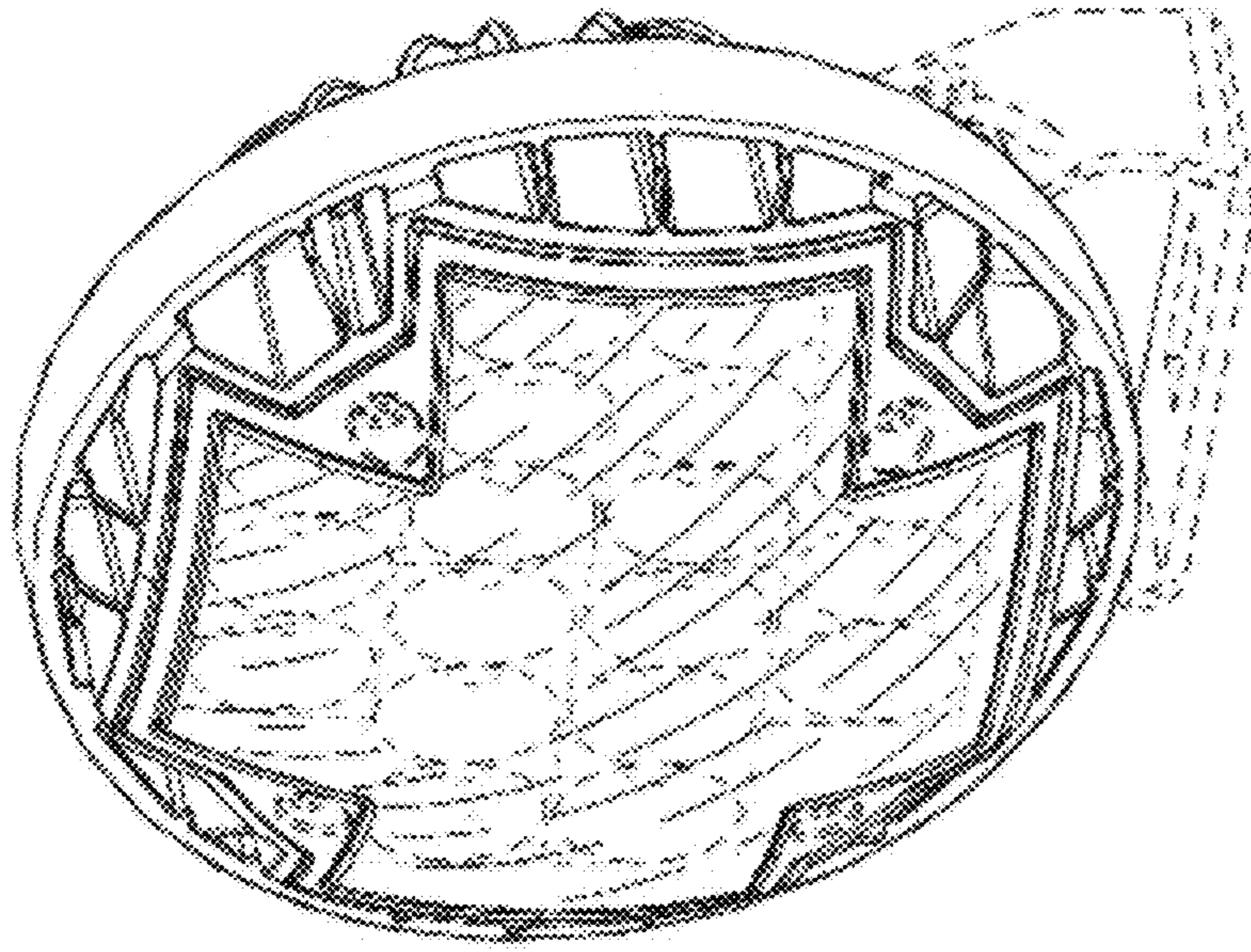


FIG. 2

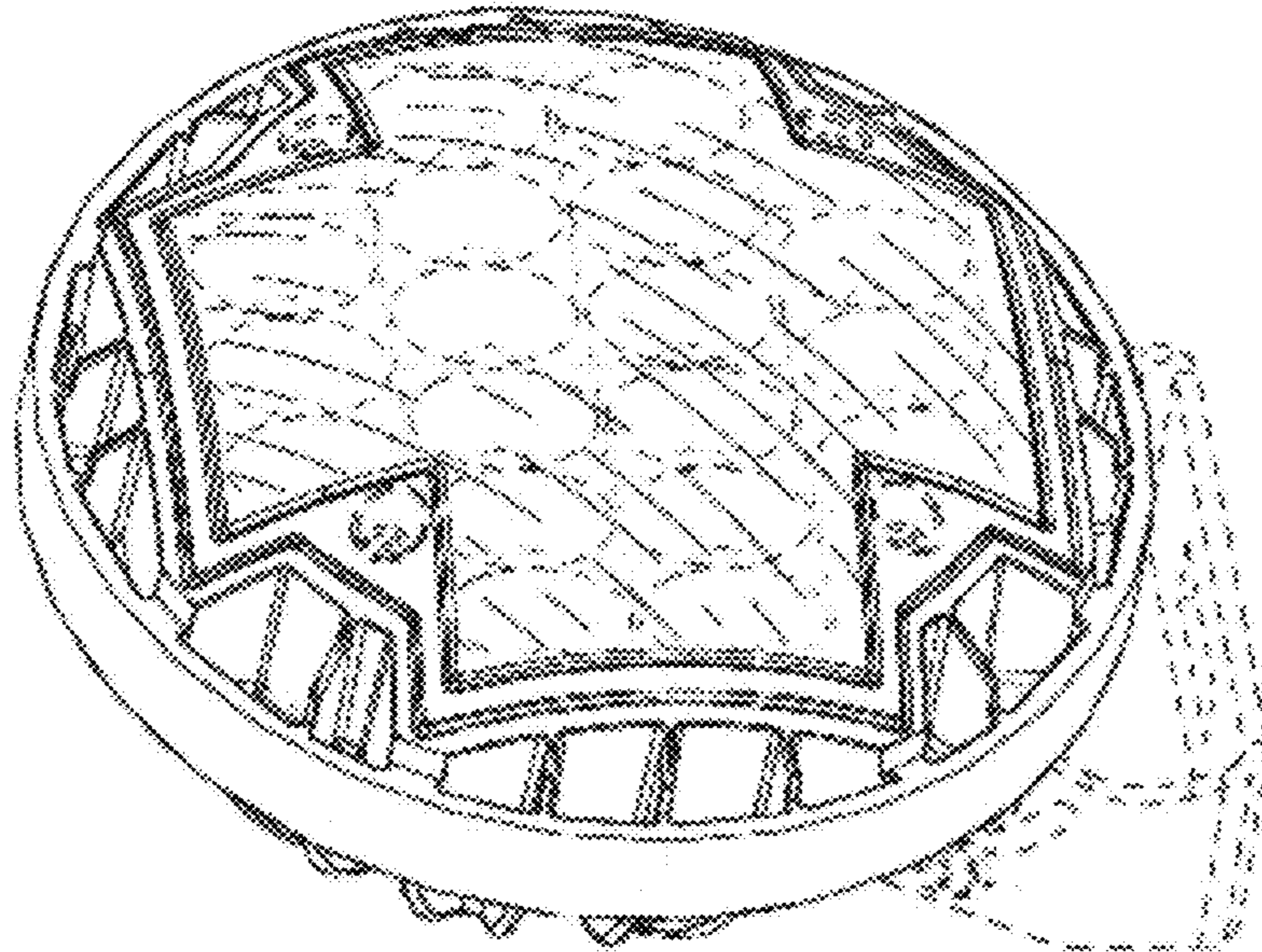


FIG. 1

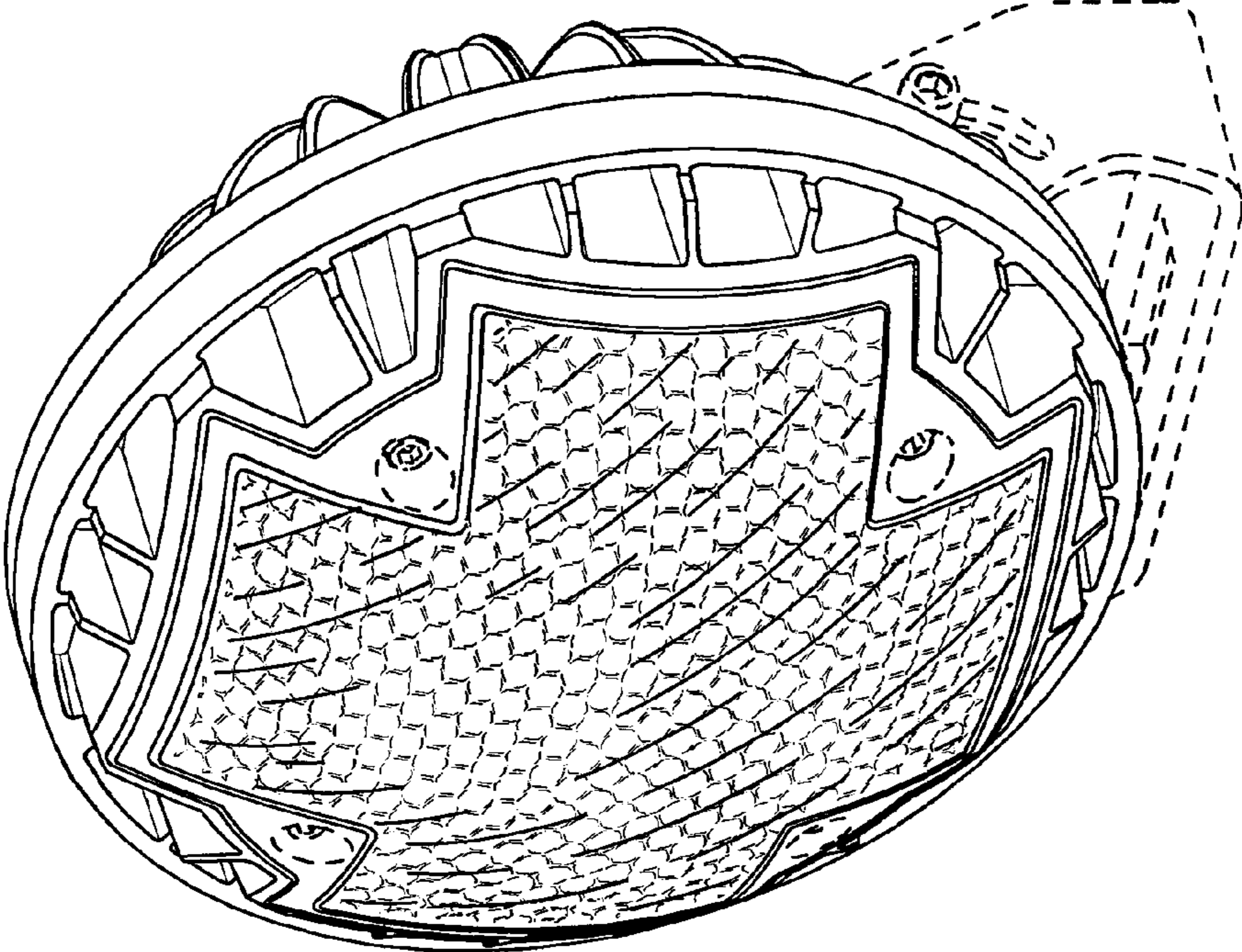


FIG. 4

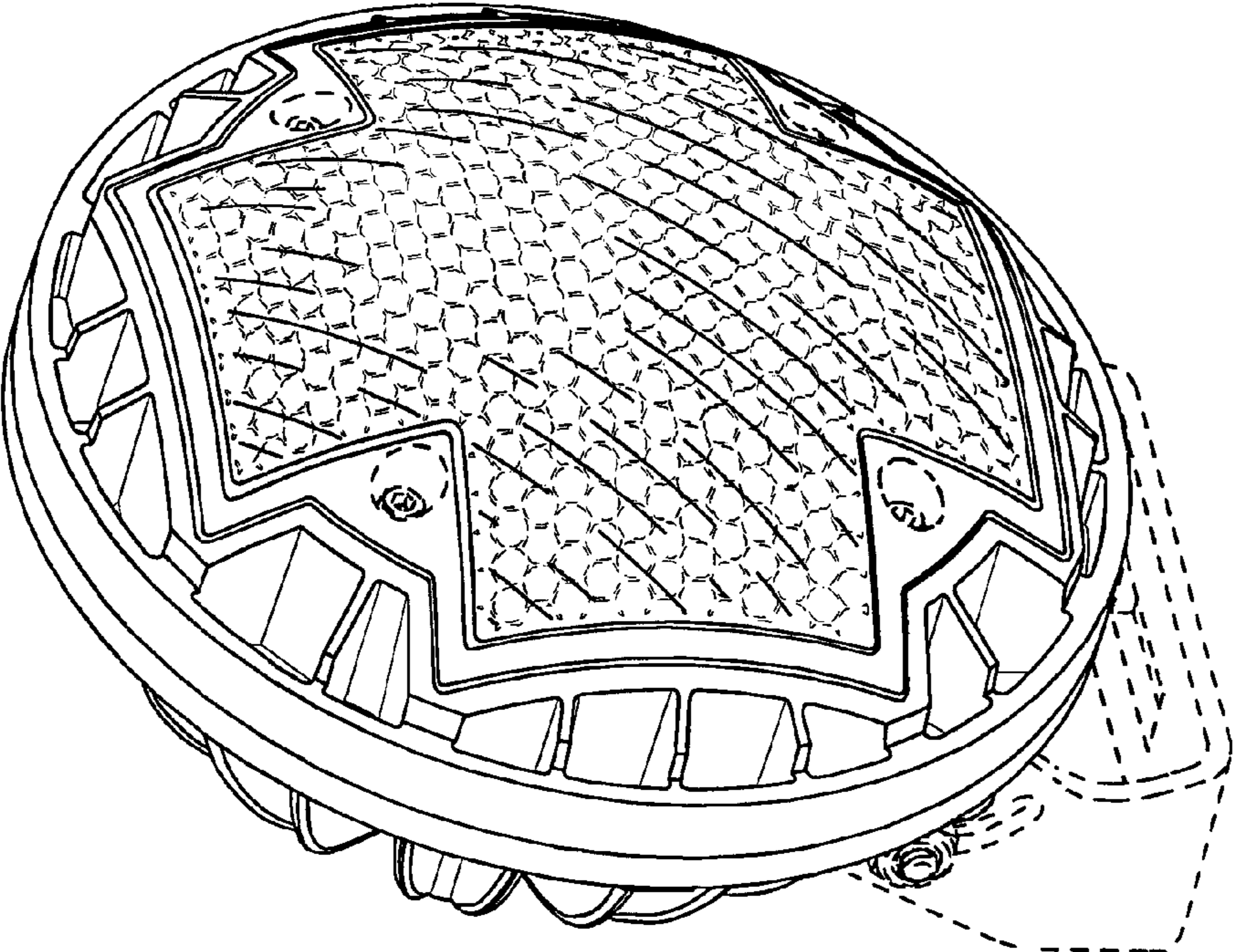


FIG. 3

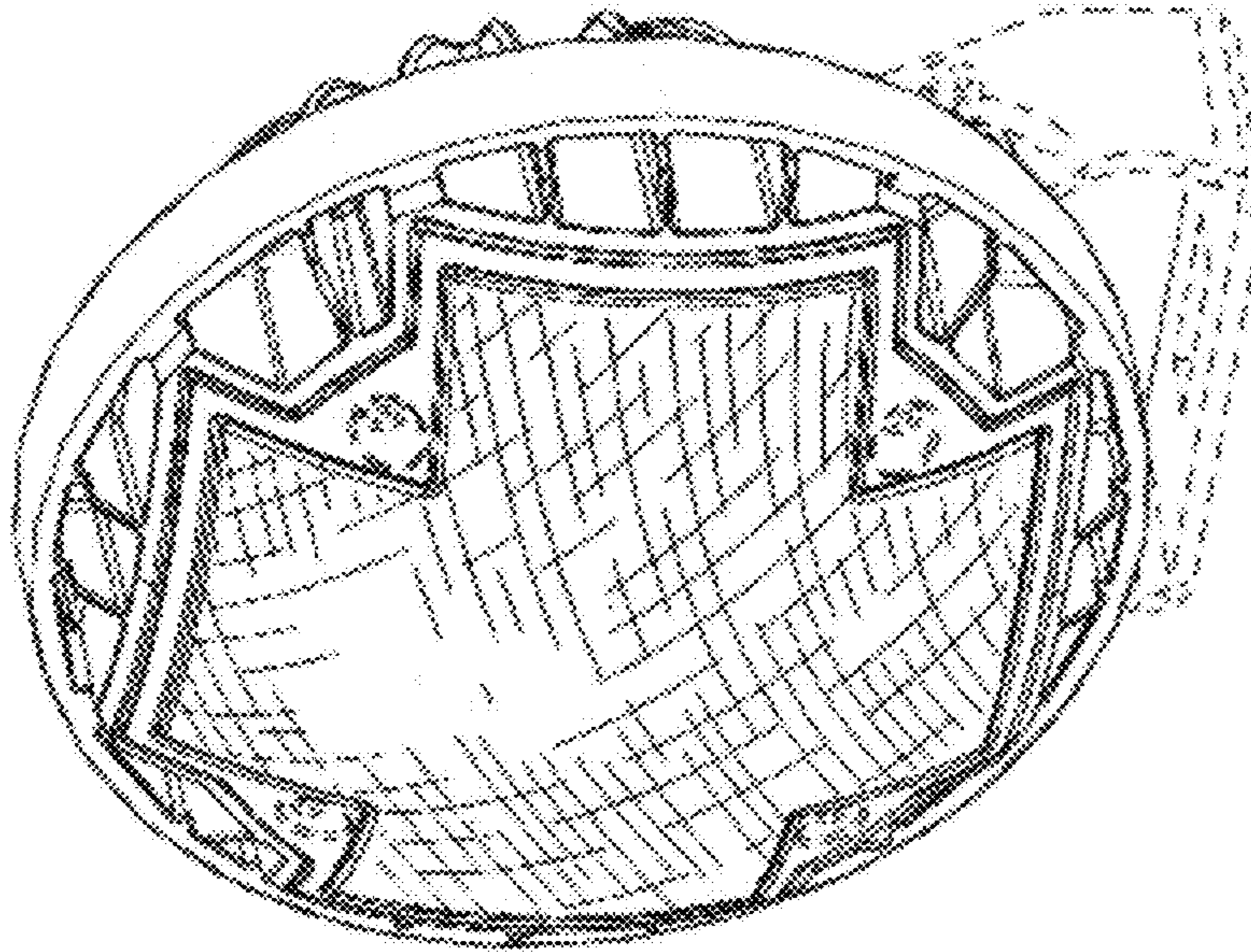


FIG. 6

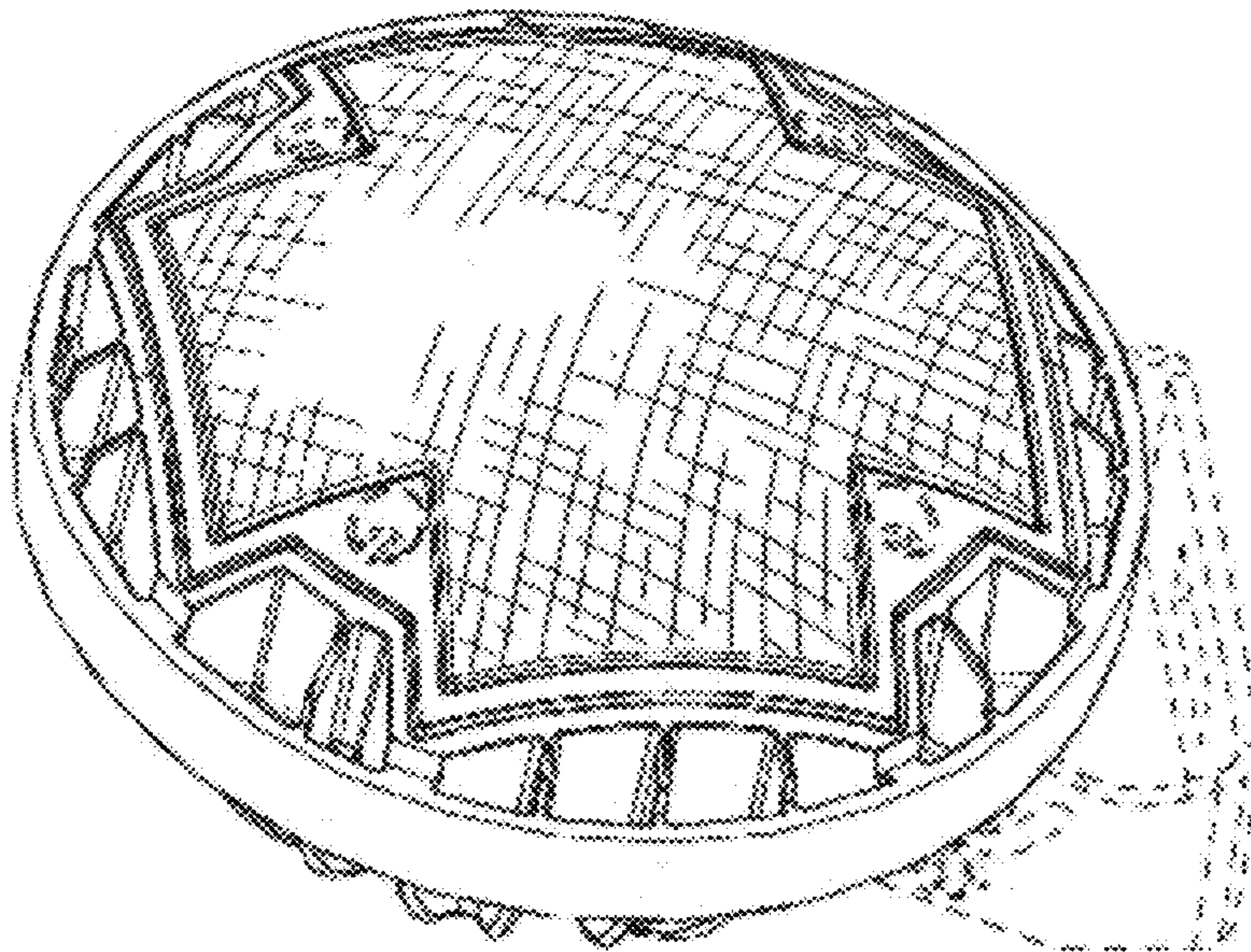


FIG. 5

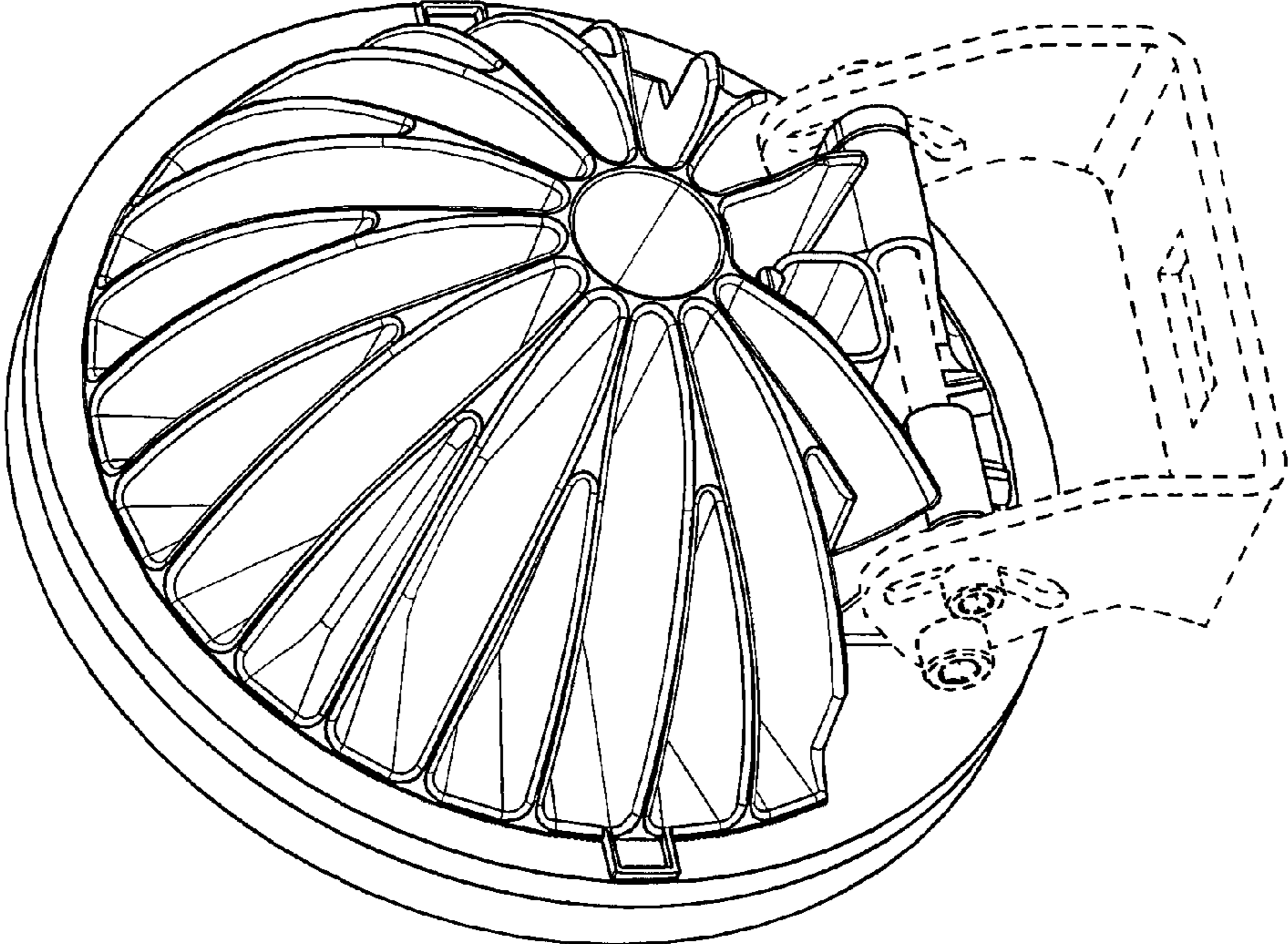


FIG. 8

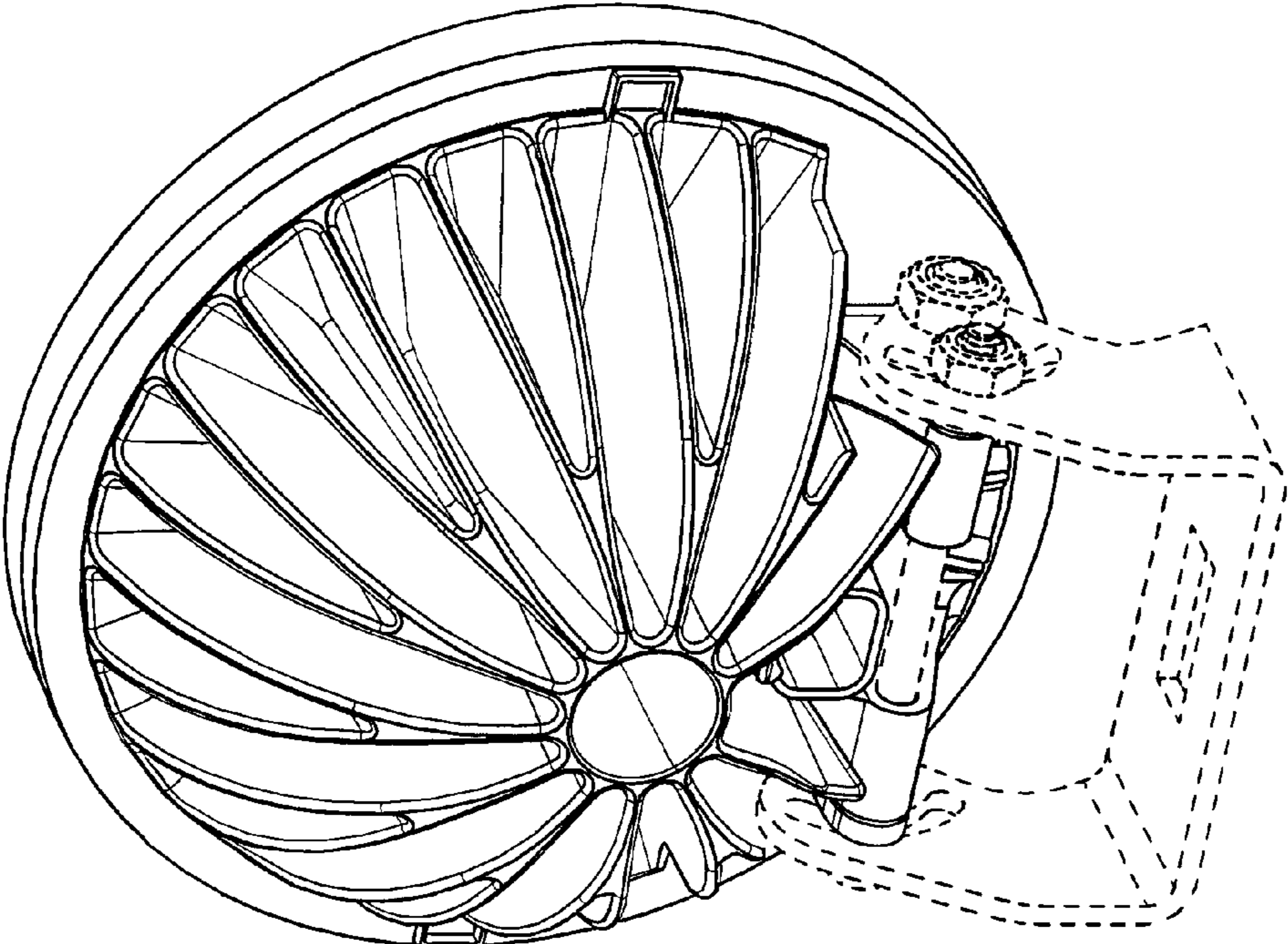


FIG. 7

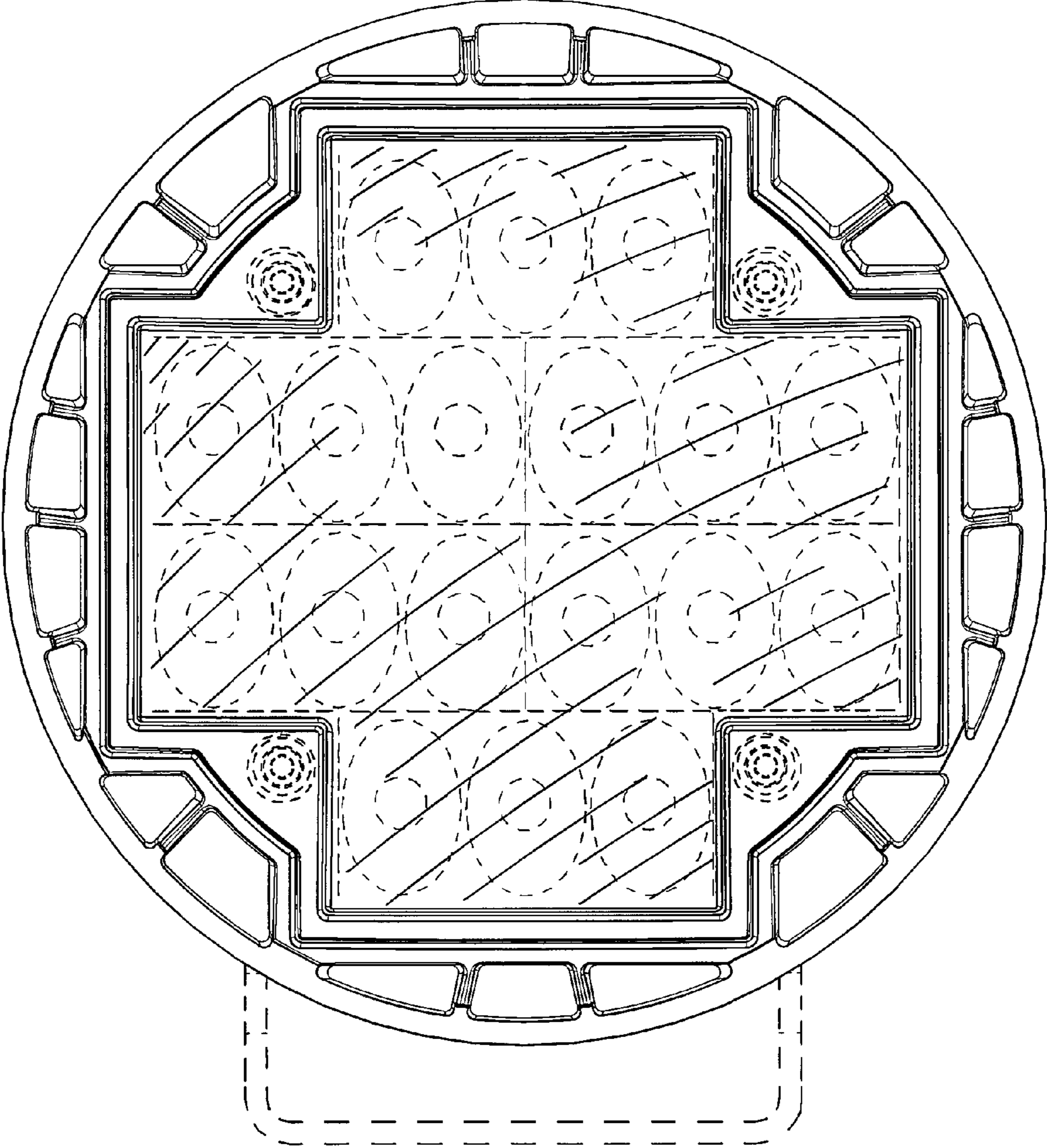


FIG. 9

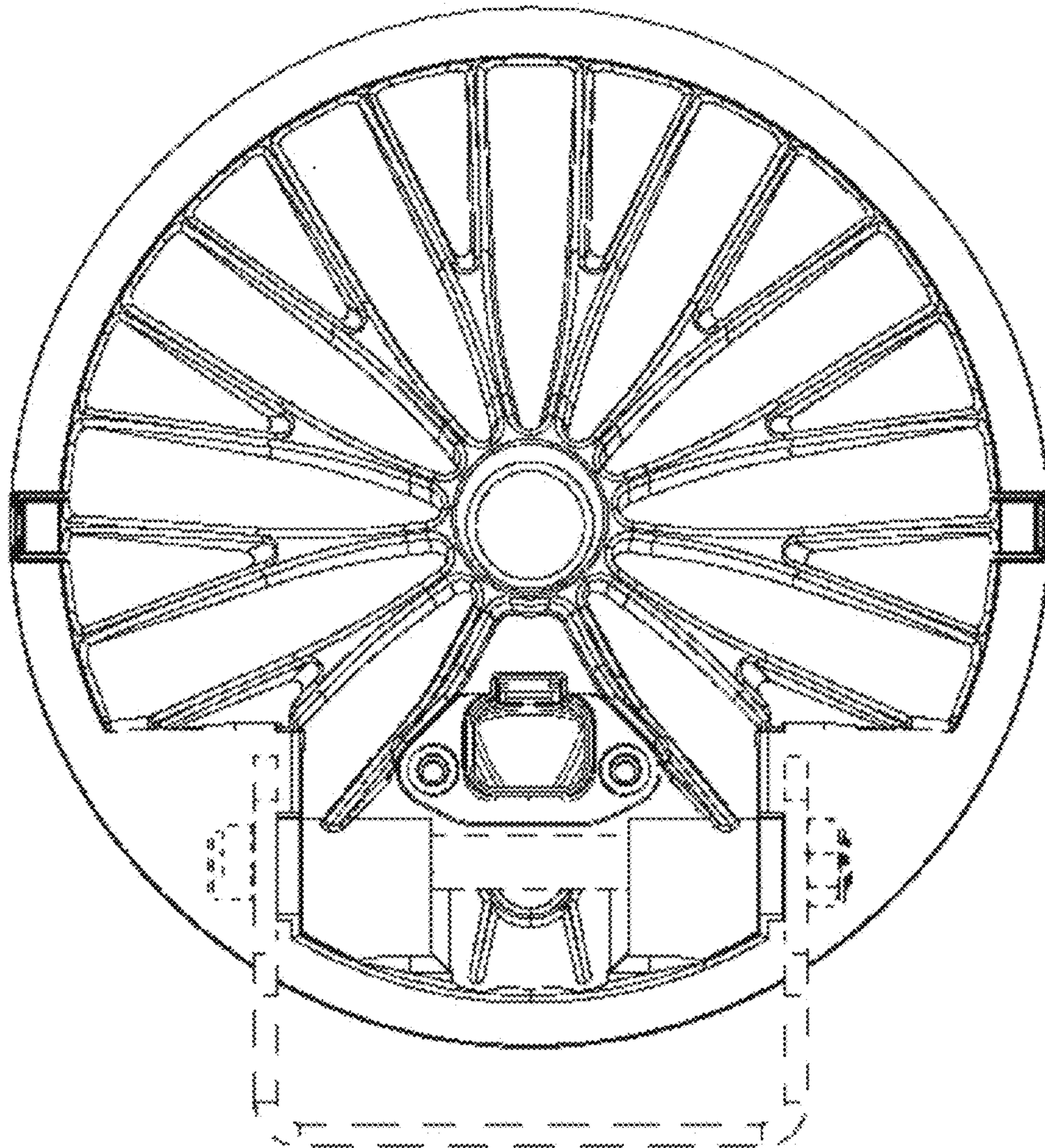


FIG. 10

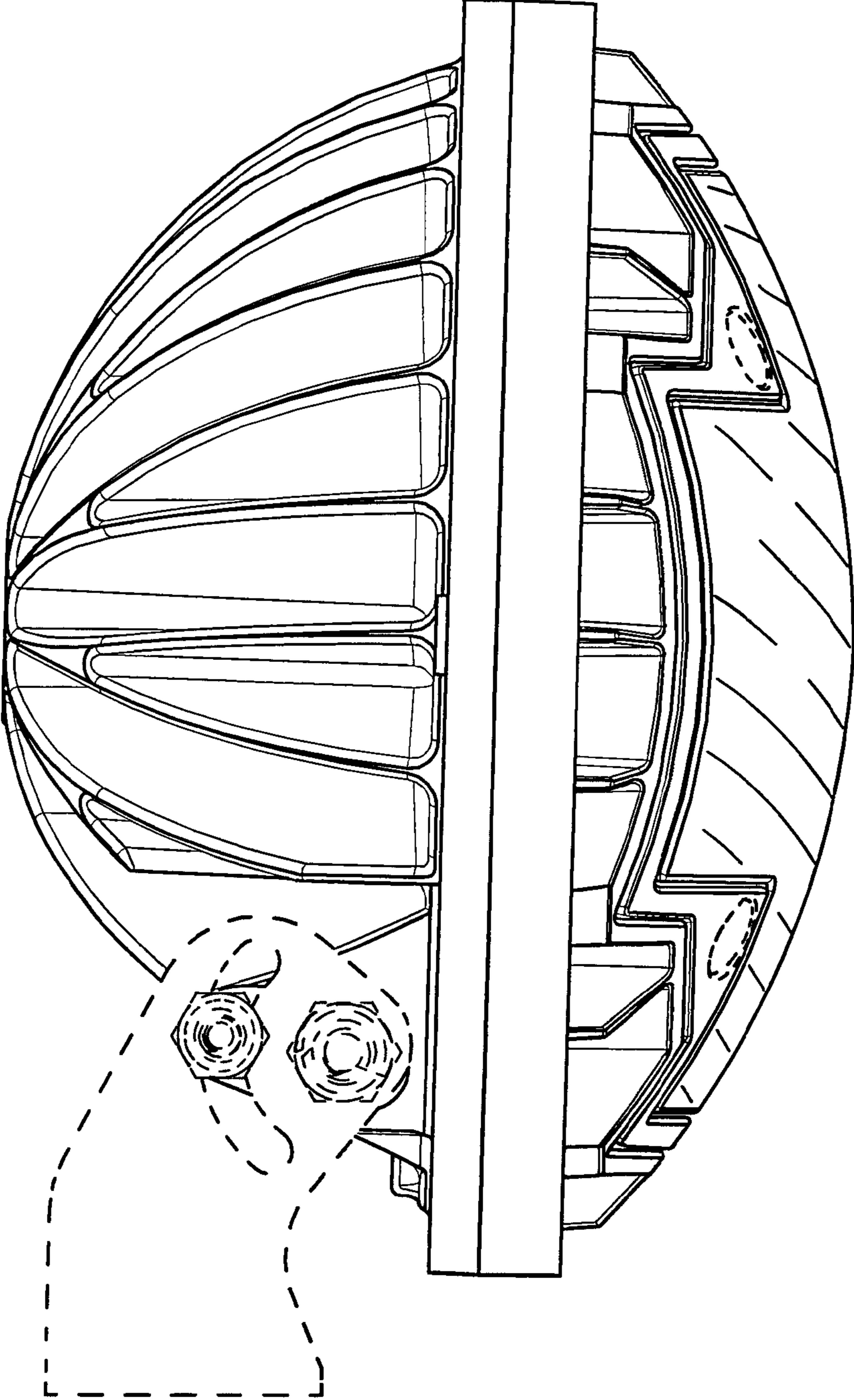


FIG. 11

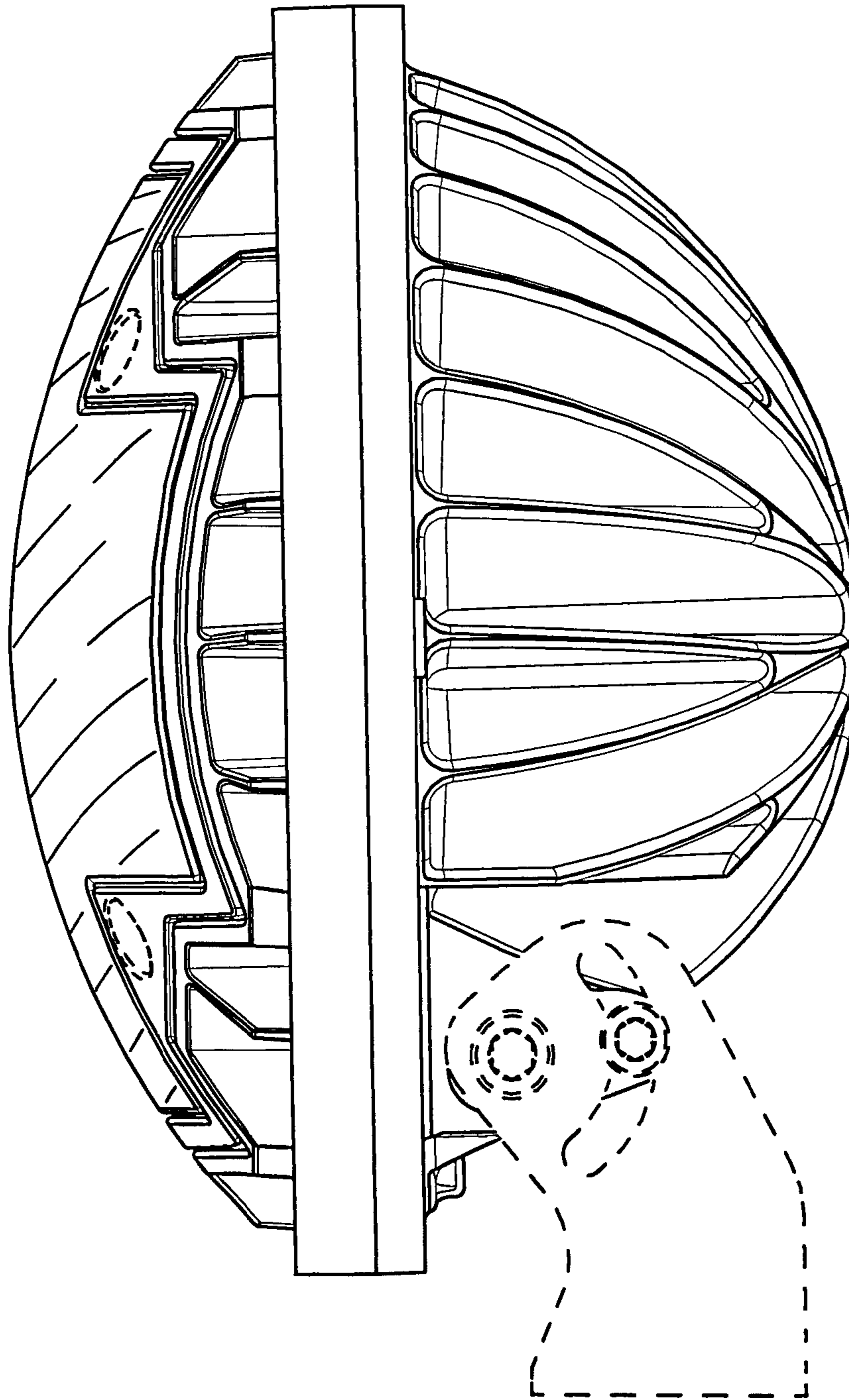


FIG. 12

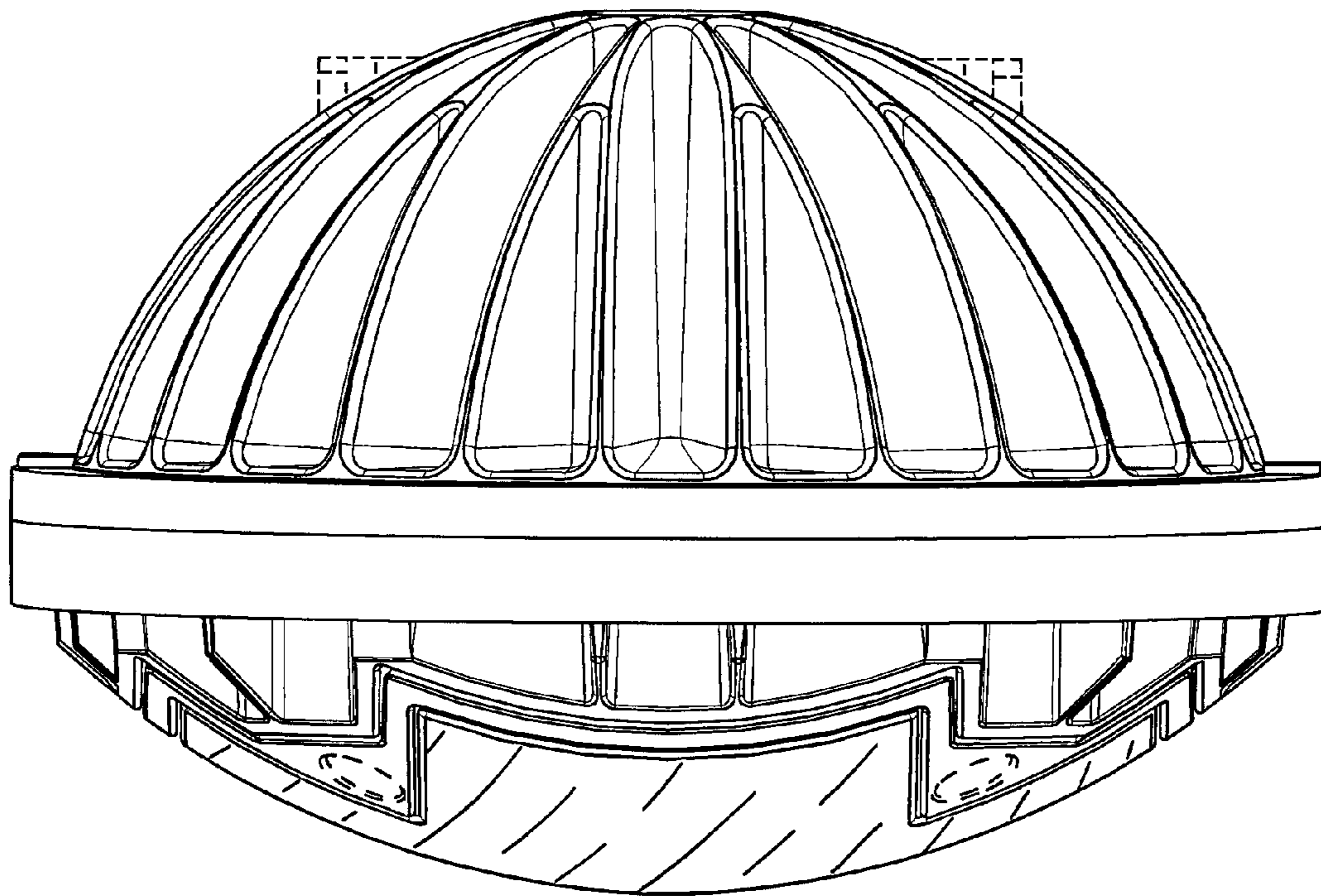


FIG. 13

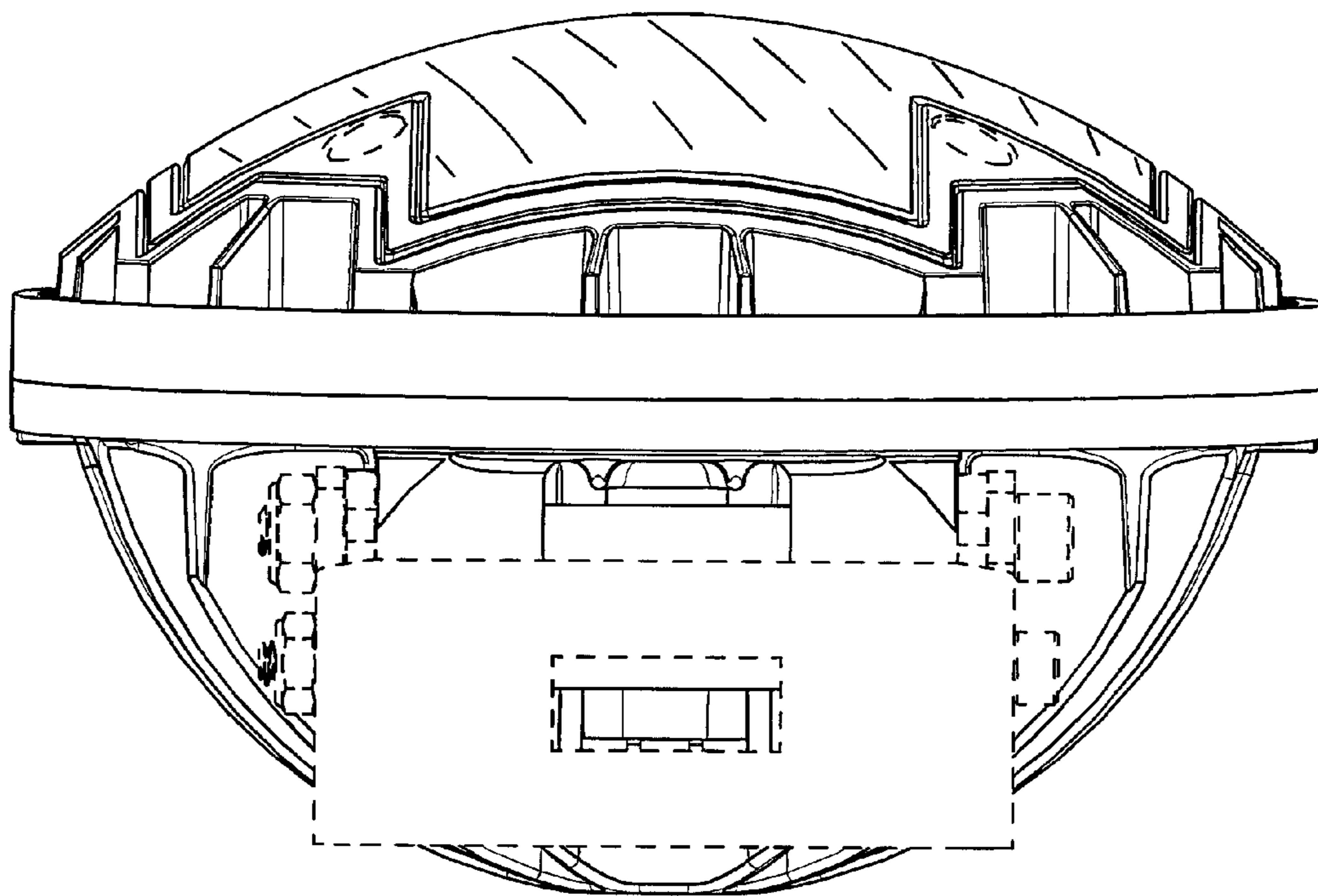


FIG. 14