



US00D739586S

(12) **United States Design Patent**  
**Hong**

(10) **Patent No.:** **US D739,586 S**

(45) **Date of Patent:** **\*\* Sep. 22, 2015**

(54) **ULTRAVIOLET LIGHT STERILIZER**

(75) Inventor: **Yannan Hong**, Heshan (CN)

(73) Assignee: **HESHAN GMY LIGHTING AND ELECTRICAL CO., LTD.**, Heshan, Guangdong (CN)

(\*\*) Term: **14 Years**

(21) Appl. No.: **29/429,675**

(22) Filed: **Aug. 15, 2012**

(51) **LOC (10) Cl.** ..... **26-05**

(52) **U.S. Cl.**  
USPC ..... **D26/51**

(58) **Field of Classification Search**  
USPC ..... D26/37, 38, 45, 46, 51, 52, 119, 1, 2;  
362/158, 183, 184, 194-196, 202-208,  
362/253; 422/291, 24; 250/492.1  
CPC ..... F21L 2/00; F21L 4/00; F21L 4/005;  
F21L 17/00; F21L 13/08; F21Y 2101/00;  
F21V 21/30; F21V 21/406; F21W 2131/406;  
F21W 2131/407; A61L 2/08; A61L 2202/24  
See application file for complete search history.

(56) **References Cited**

**U.S. PATENT DOCUMENTS**

D61,088 S *	6/1922	Debnam, Jr.	.....	D23/332
2,286,891 A *	6/1942	Bissell	.....	362/363
D137,388 S *	2/1944	Popp	.....	D26/50
2,478,010 A *	8/1949	Popp et al.	.....	362/376
3,353,905 A *	11/1967	Ellis	.....	422/291
3,835,311 A *	9/1974	Kramer	.....	362/376
D244,715 S *	6/1977	Fierro et al.	.....	D26/37
D331,634 S *	12/1992	Browne	.....	D26/37

D359,139 S *	6/1995	Kaczmarek	.....	D26/37
D395,702 S *	6/1998	Flatt	.....	D23/335
D417,296 S *	11/1999	Kato et al.	.....	D26/3
D464,154 S *	10/2002	Xu	.....	D26/3
D469,892 S *	2/2003	Bobel	.....	D26/3
D543,644 S *	5/2007	Bembridge	.....	D26/2
D601,724 S *	10/2009	Ashida et al.	.....	D26/2
D620,624 S *	7/2010	Wang et al.	.....	D26/2
D629,537 S *	12/2010	Hsu et al.	.....	D26/3
D662,231 S *	6/2012	Sakamoto et al.	.....	D26/2
D666,340 S *	8/2012	Sakamoto et al.	.....	D26/2
D669,200 S *	10/2012	Chen et al.	.....	D26/2
D677,407 S *	3/2013	Yang	.....	D26/2

\* cited by examiner

*Primary Examiner* — Ian Simmons

*Assistant Examiner* — Carissa C Fitts

(74) *Attorney, Agent, or Firm* — The Dobrusin Law Firm, P.C.

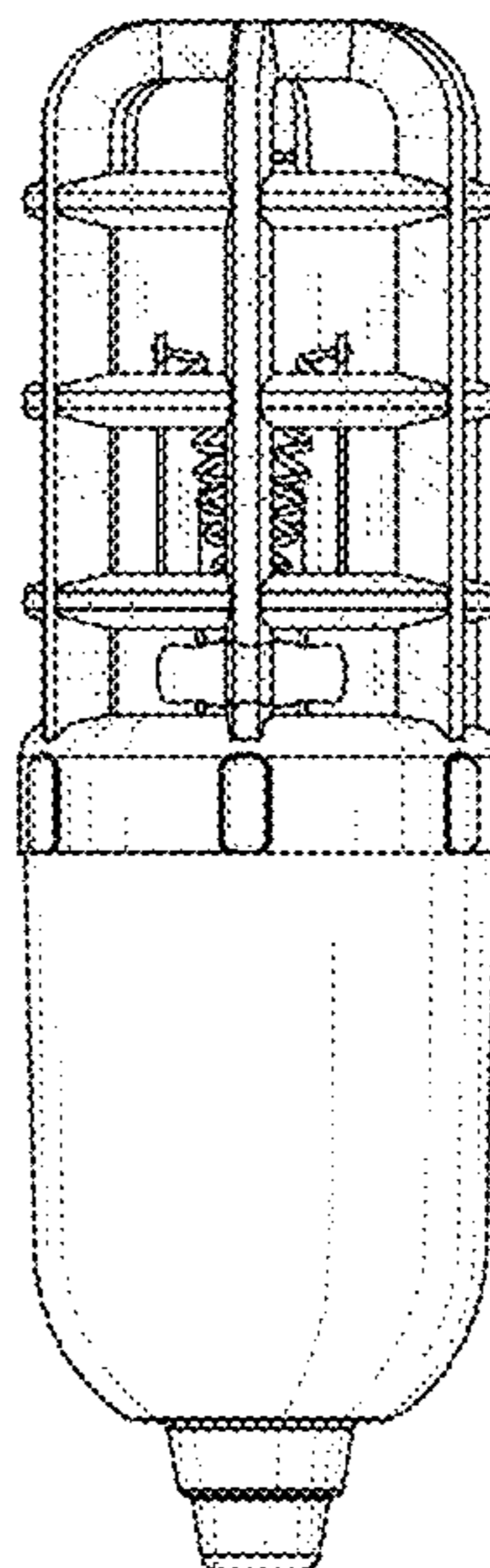
(57) **CLAIM**

The ornamental design for an ultraviolet light sterilizer, as shown and described.

**DESCRIPTION**

FIG. 1 is a perspective view of the ultraviolet light sterilizer showing my new design;  
FIG. 2 is a front elevational view thereof, the rear view being a mirror image thereof;  
FIG. 3 is a left side elevational view thereof, the right side view being a mirror image thereof;  
FIG. 4 is a top view thereof; and,  
FIG. 5 is a bottom view thereof.  
The broken line showing is for environmental purposes only and forms no part of the claimed design.

**1 Claim, 5 Drawing Sheets**



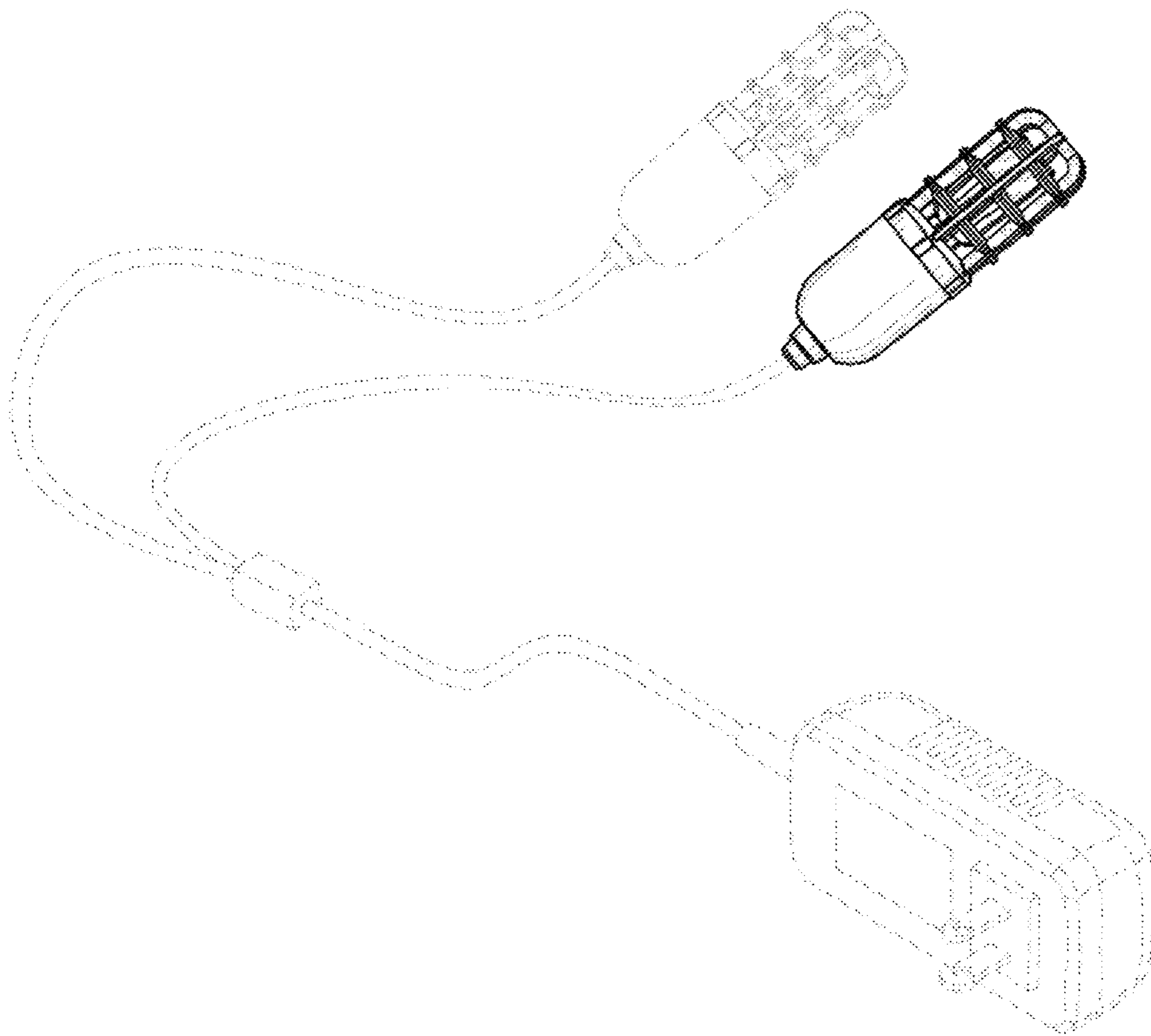


FIG. 1

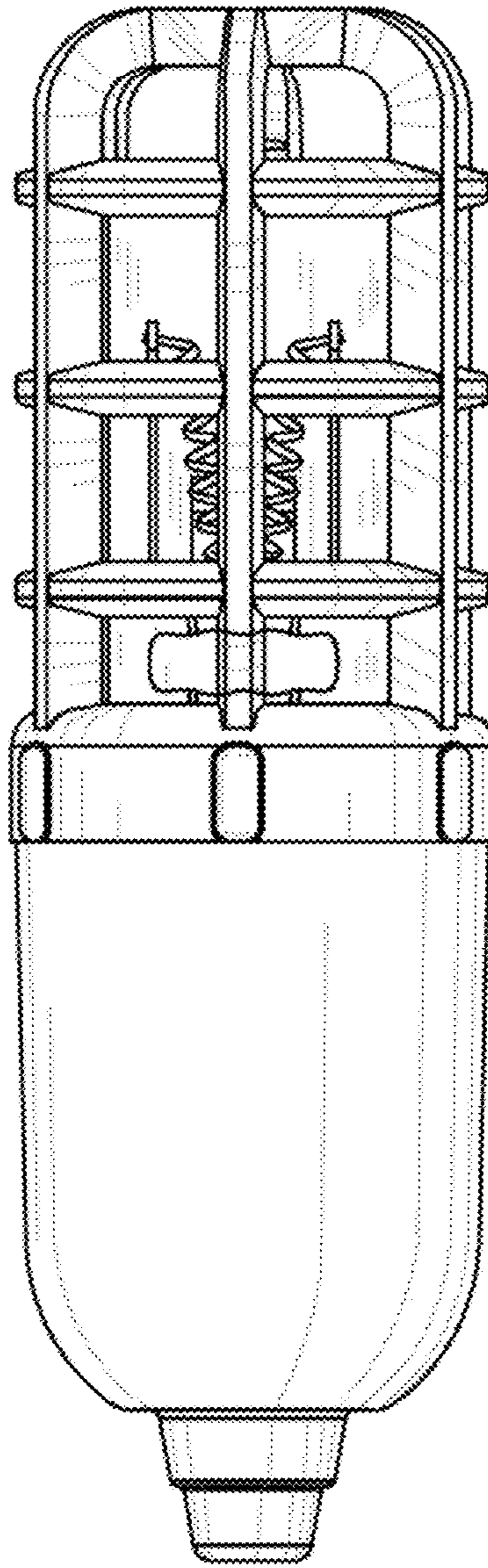


FIG.2

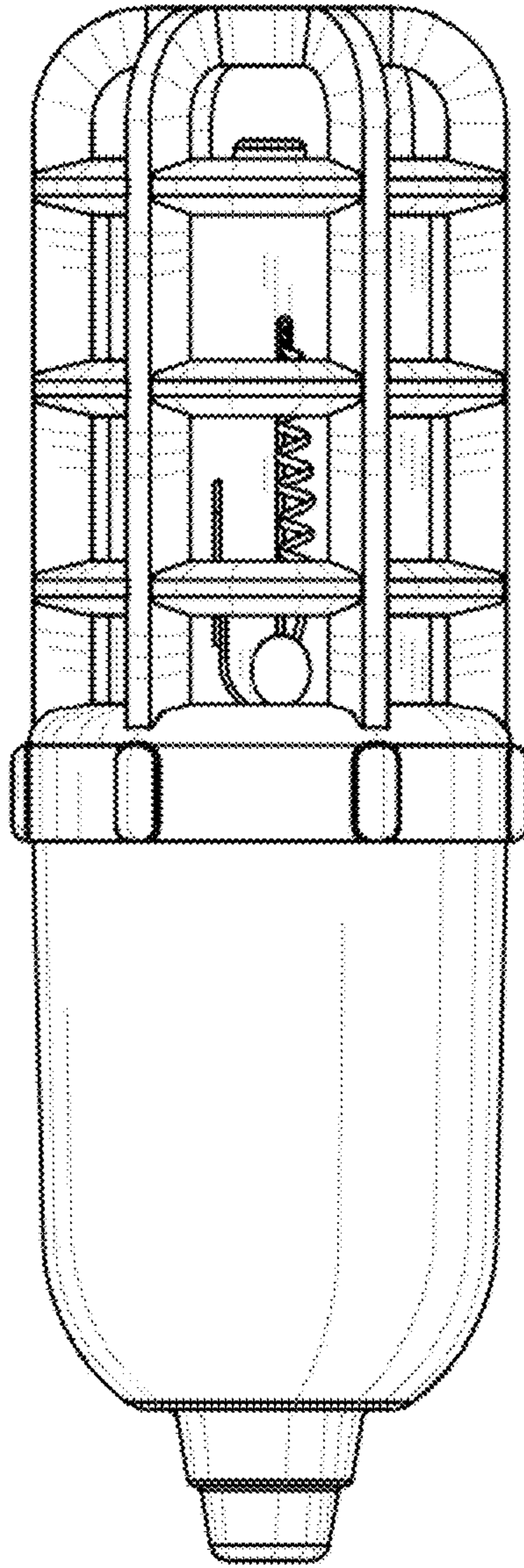


FIG.3



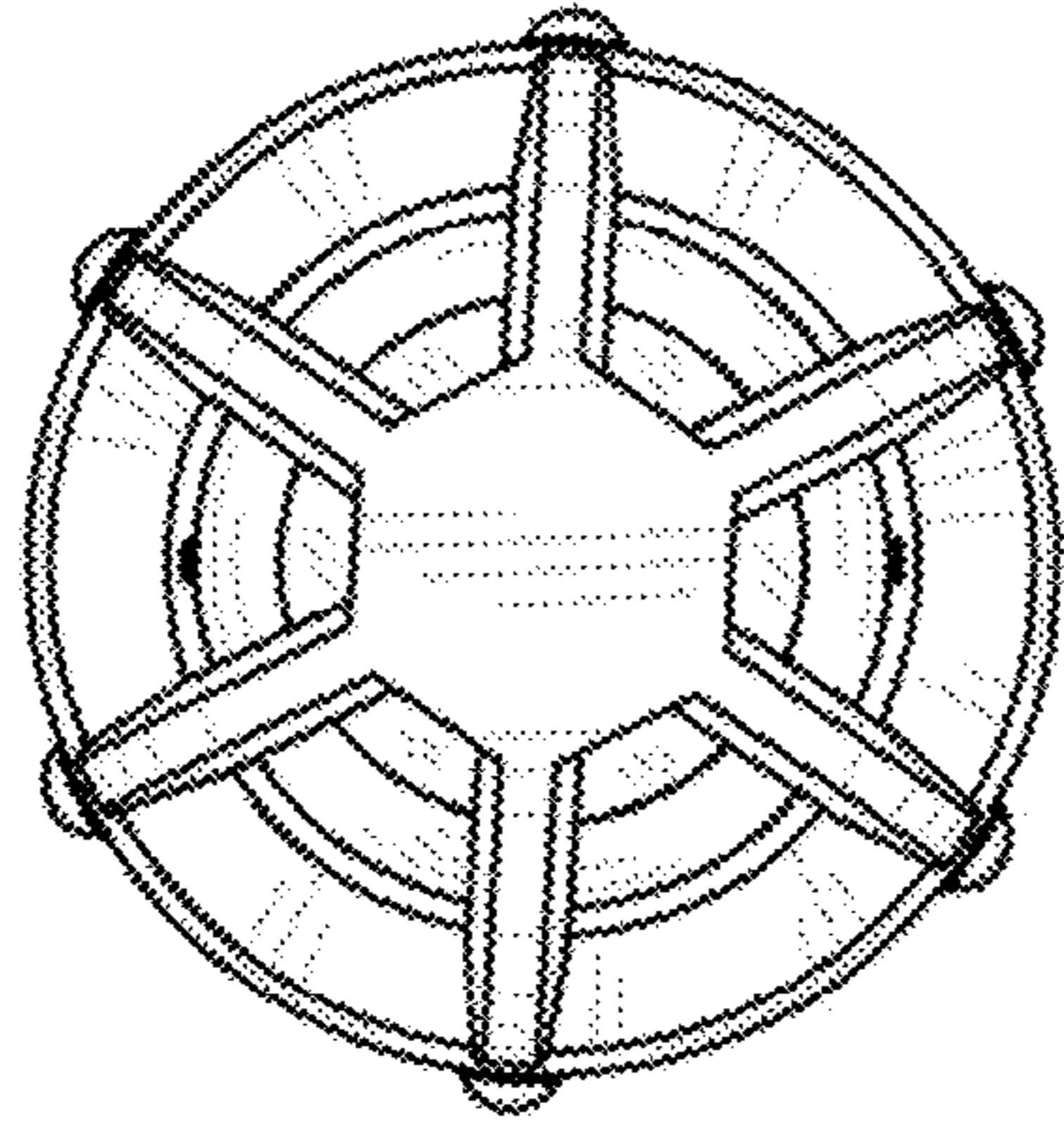


FIG.4

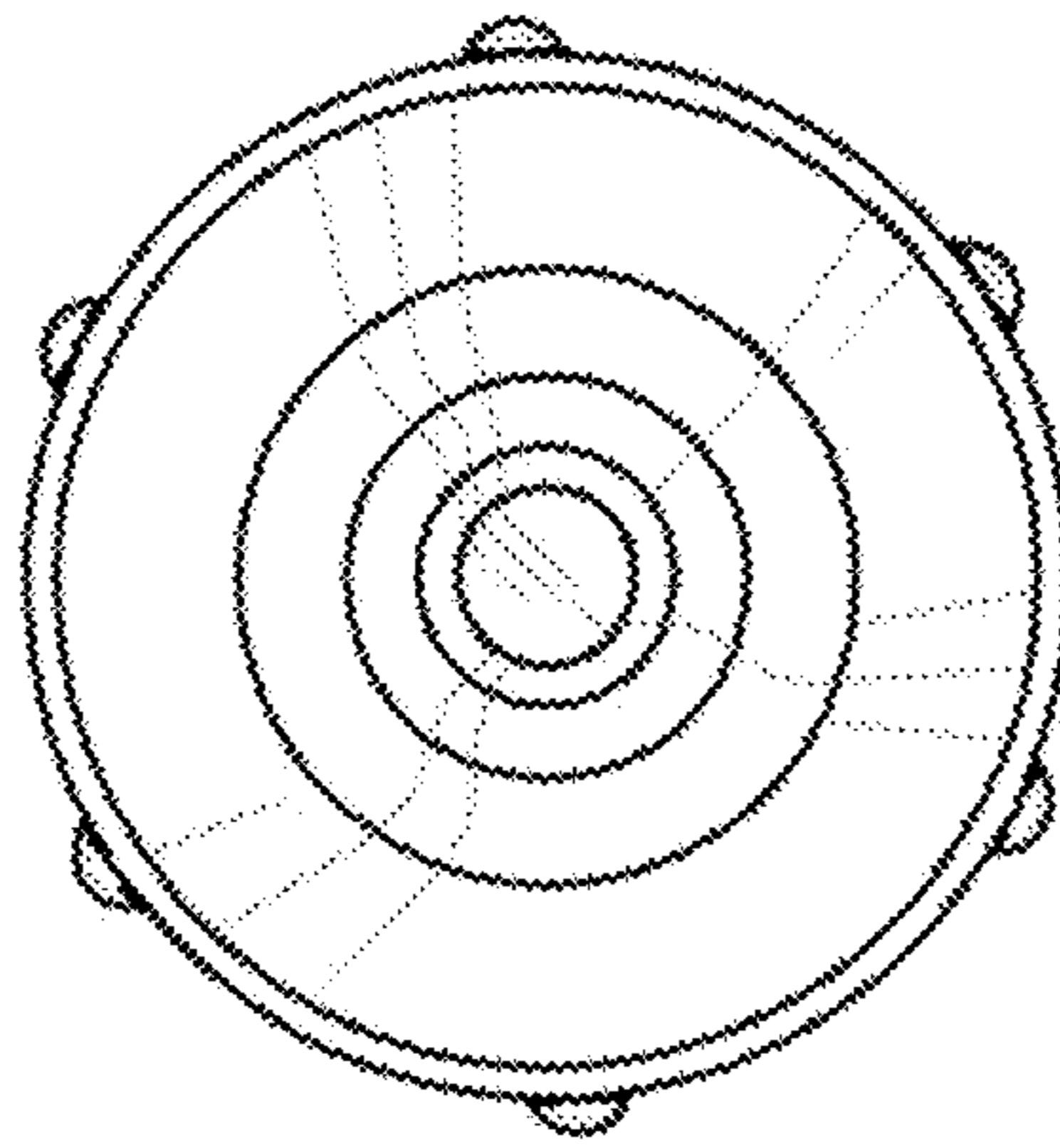


FIG. 5