

US00D739584S

(12) **United States Design Patent**  
**Heiner et al.**

(10) **Patent No.:** **US D739,584 S**

(45) **Date of Patent:** **\*\* Sep. 22, 2015**

(54) **LIGHT FIXTURE**

(71) Applicants: **Johnathan J. Heiner**, Mesa, AZ (US);  
**Stephen P. Adams**, Mesa, AZ (US)

(72) Inventors: **Johnathan J. Heiner**, Mesa, AZ (US);  
**Stephen P. Adams**, Mesa, AZ (US)

(73) Assignee: **JST Performance, LLC**, Gilbert, AZ  
(US)

(\*\*) Term: **14 Years**

(21) Appl. No.: **29/471,770**

(22) Filed: **Nov. 5, 2013**

(51) **LOC (10) Cl.** ..... **26-06**

(52) **U.S. Cl.**  
USPC ..... **D26/31**

(58) **Field of Classification Search**  
USPC ..... D26/1-2, 24, 28-29, 31-32, 35-36, 80,  
D26/67; 362/475-476, 431, 459, 460, 473,  
362/477  
CPC ..... B62J 6/001; B62J 6/003; B62J 6/02;  
B62J 6/04

See application file for complete search history.

(56) **References Cited**

U.S. PATENT DOCUMENTS

D492,047 S *	6/2004	Dohogne et al. ....	D26/28
D498,549 S *	11/2004	Campagna .....	D26/28
D532,125 S *	11/2006	Branstetter et al. ....	D26/28
D561,362 S *	2/2008	Pan et al. ....	D26/28
D575,424 S *	8/2008	Gebhard et al. ....	D26/28
D598,596 S *	8/2009	Sabernig .....	D26/65
2015/0023034 A1 *	1/2015	Zhang .....	362/473

\* cited by examiner

*Primary Examiner* — Wan Laymon

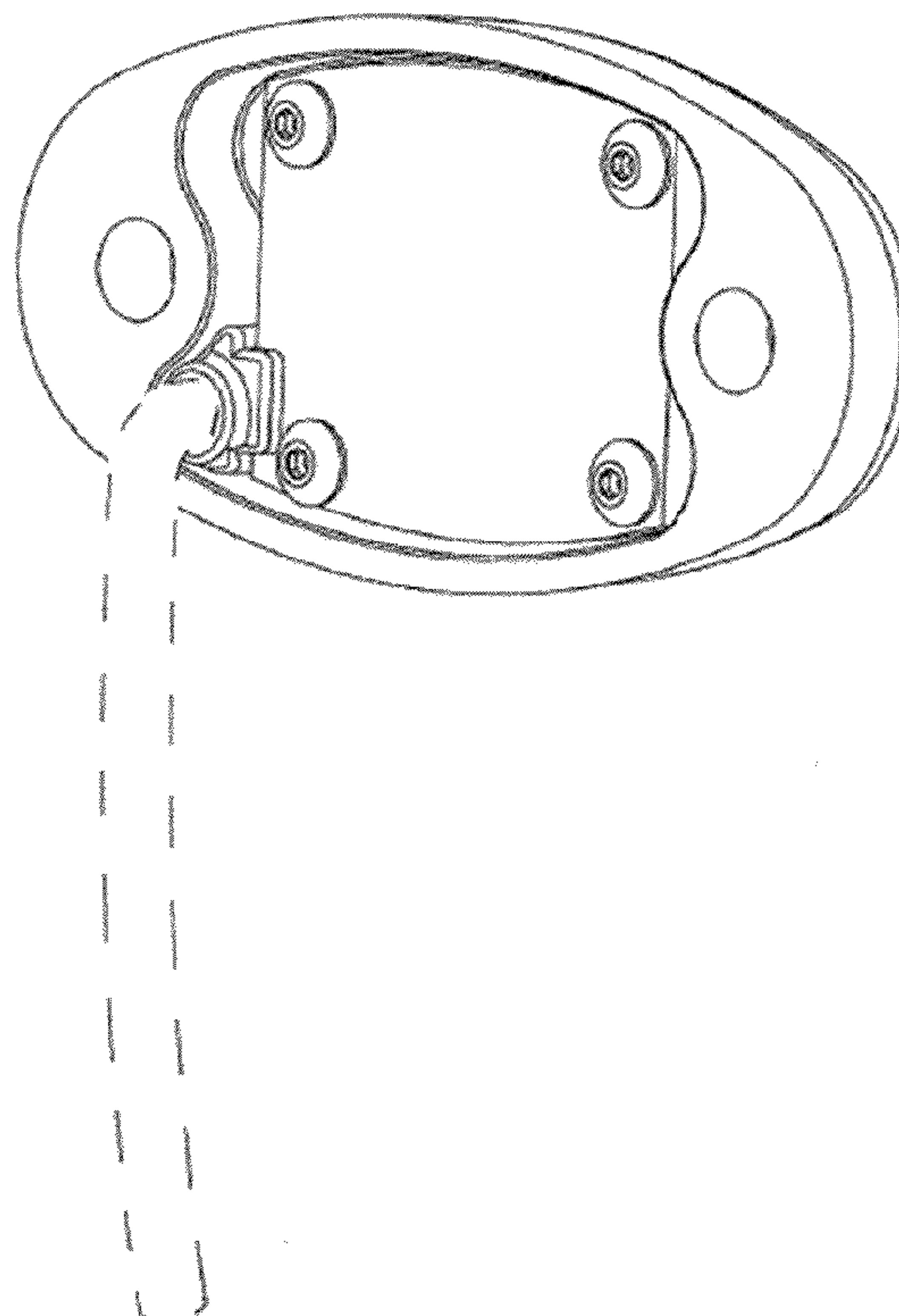
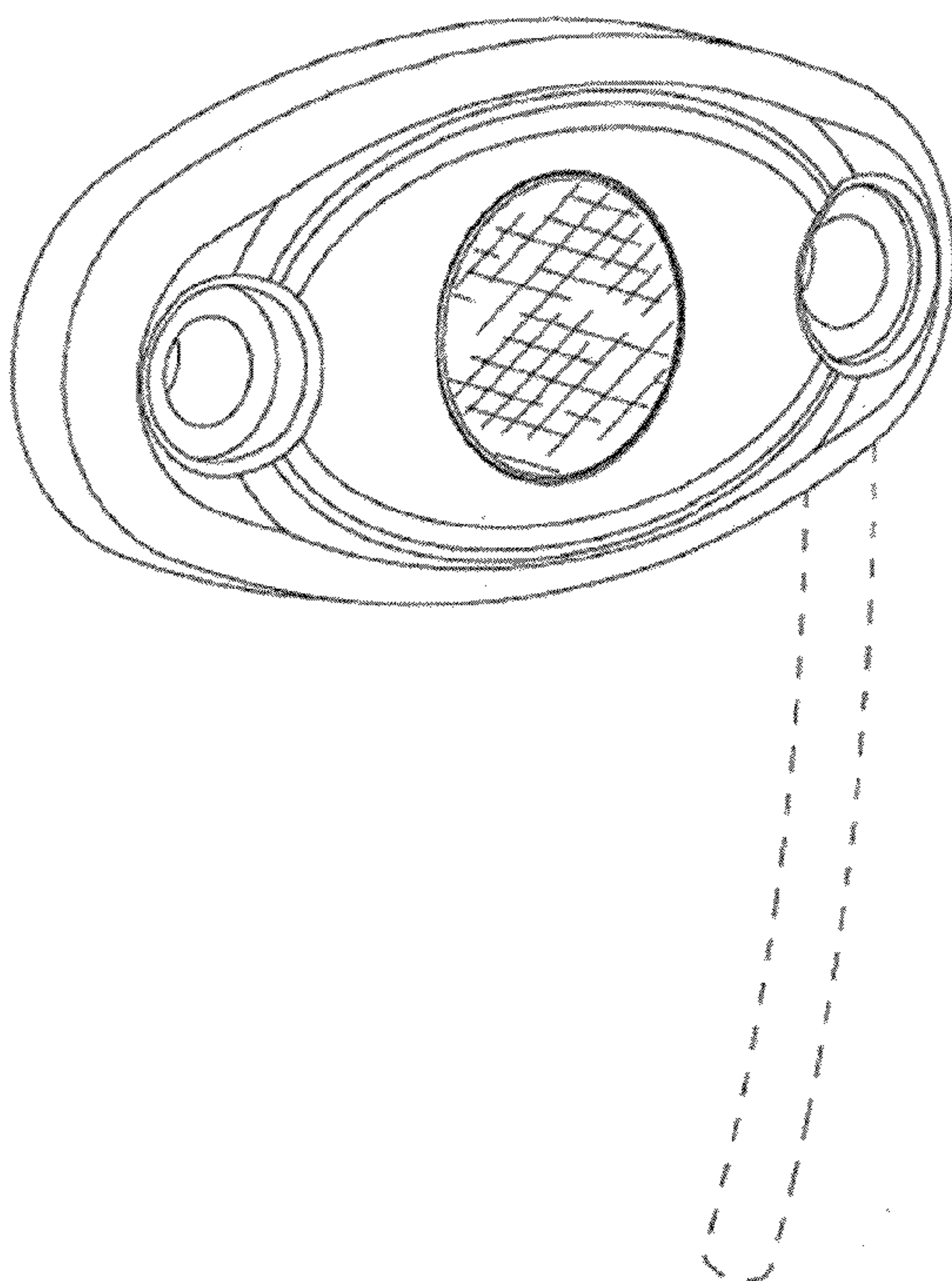
(57) **CLAIM**

The ornamental design for a light fixture, as shown and described.

**DESCRIPTION**

FIG. 1 is a front and left side perspective view of our new design for a light fixture;  
FIG. 2 is a front and right side perspective view thereof;  
FIG. 3 is a back and left side perspective view thereof;  
FIG. 4 is a back and right side perspective view thereof;  
FIG. 5 is a front side view thereof;  
FIG. 6 is a back side view thereof;  
FIG. 7 is a left side view thereof;  
FIG. 8 is a right side view thereof;  
FIG. 9 is a top side view thereof; and,  
FIG. 10 is a bottom side view thereof.  
The broken lines shown in the figures represent portions of the light fixture that form no part of the claimed design.

**1 Claim, 8 Drawing Sheets**



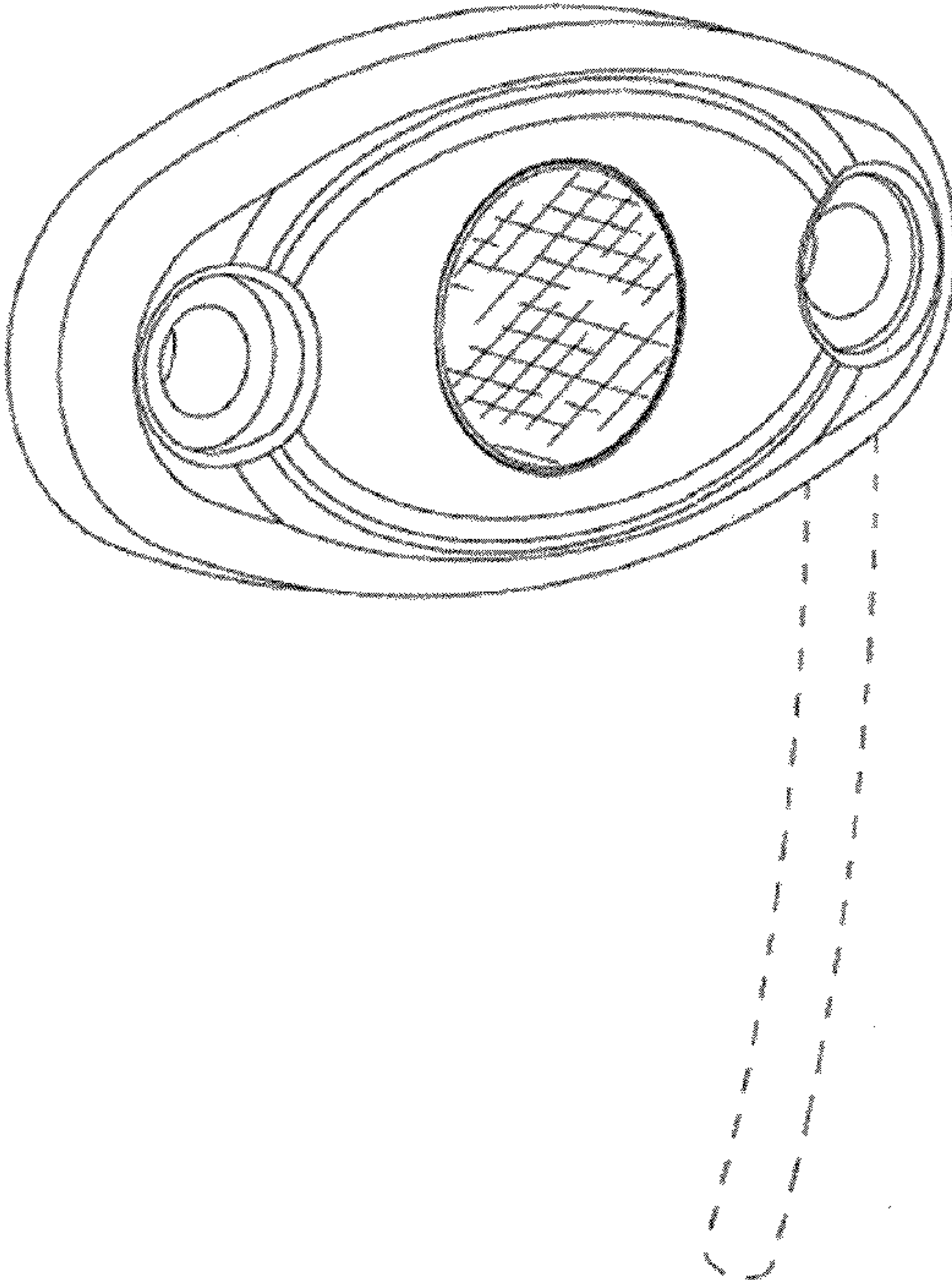


FIG. 1

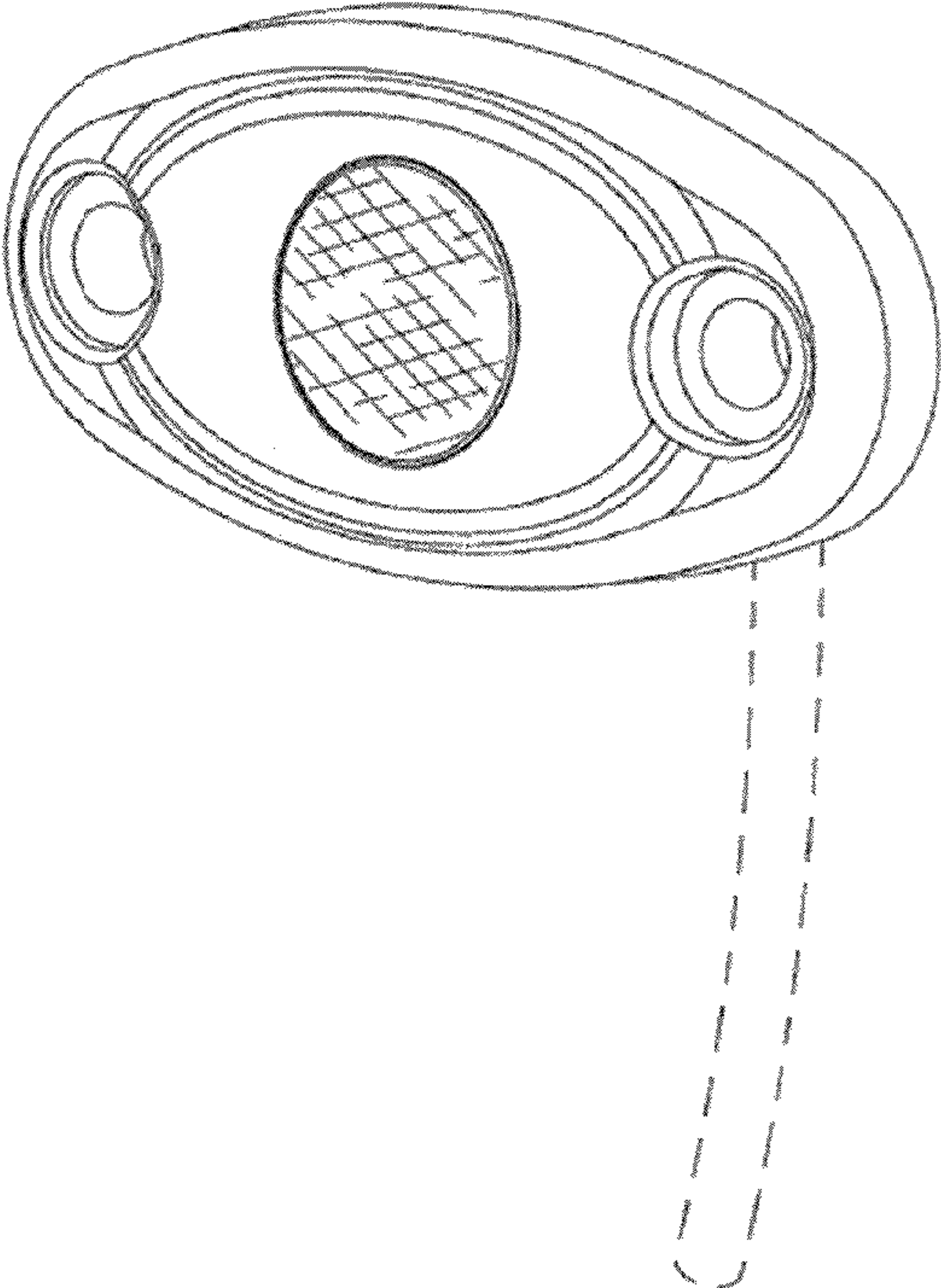


FIG. 2

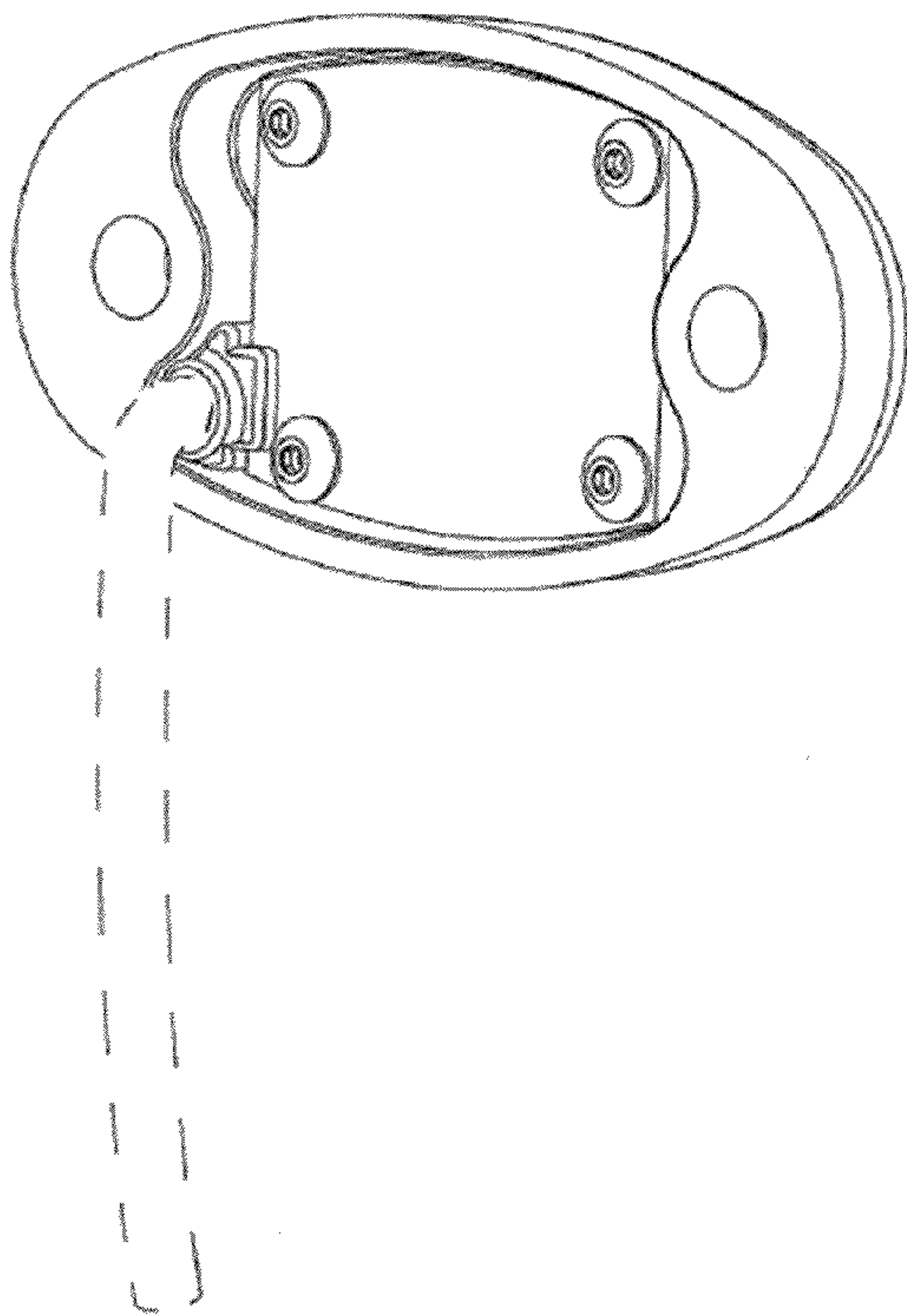


FIG. 3

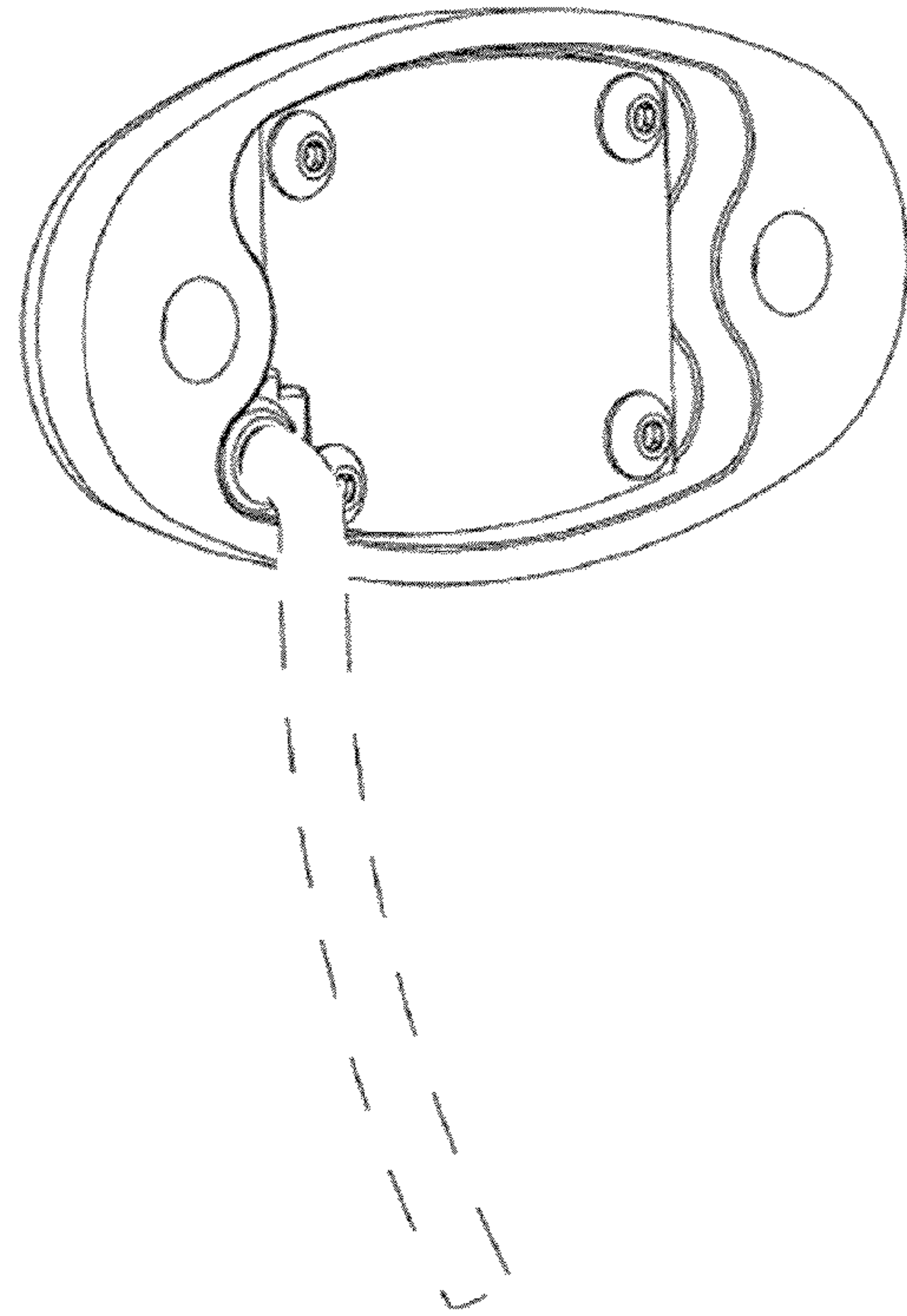


FIG. 4



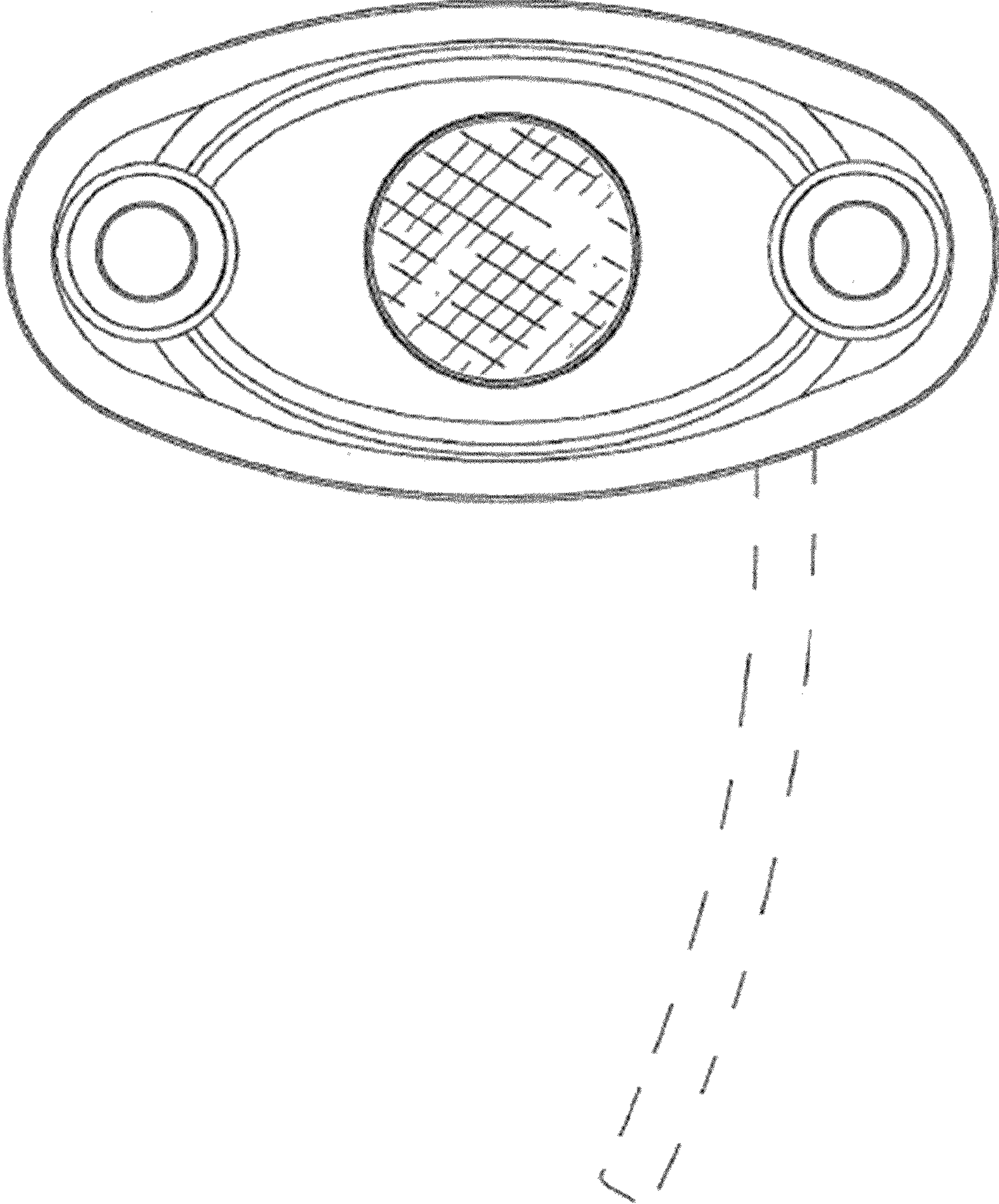


FIG. 5

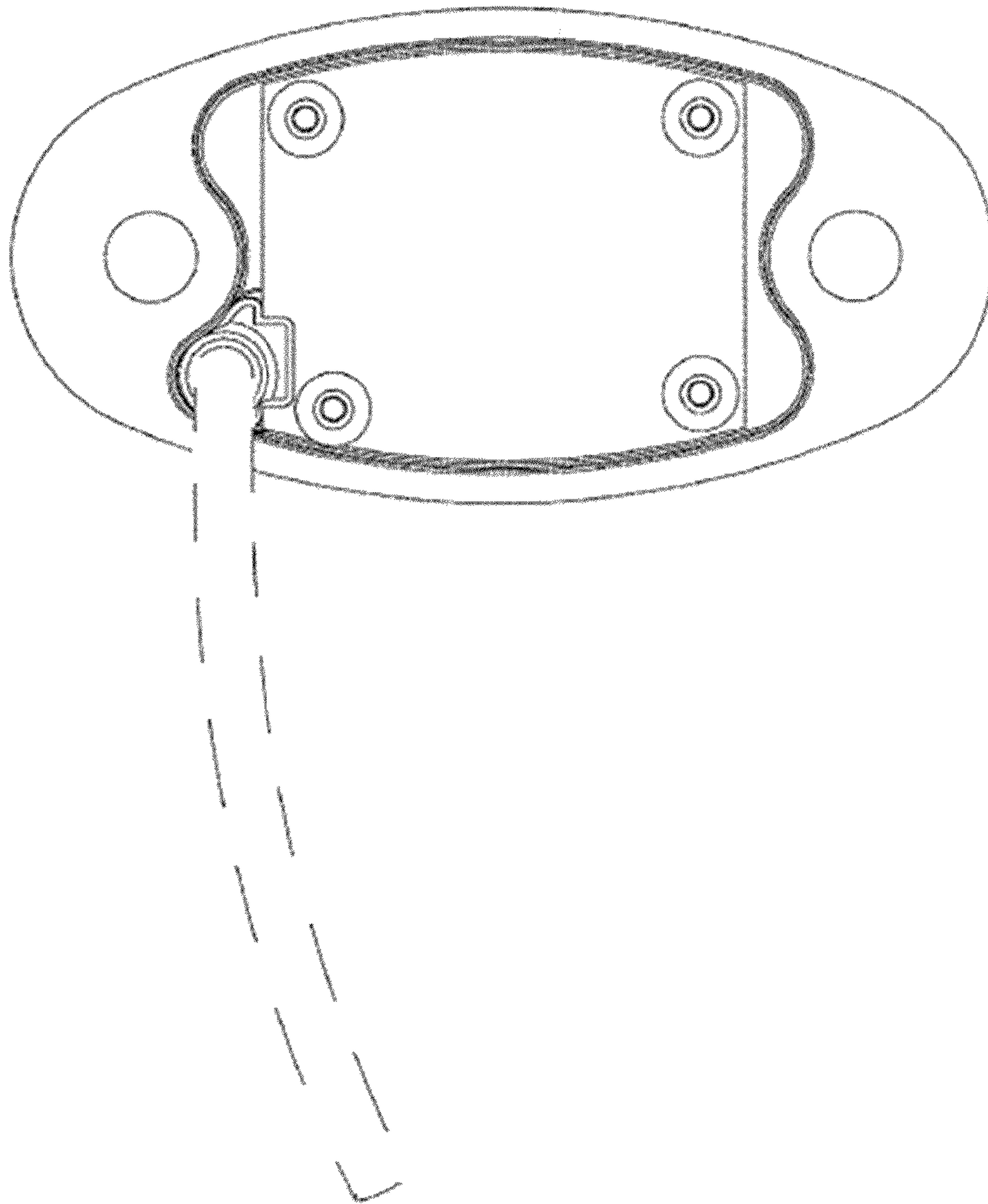


FIG. 6

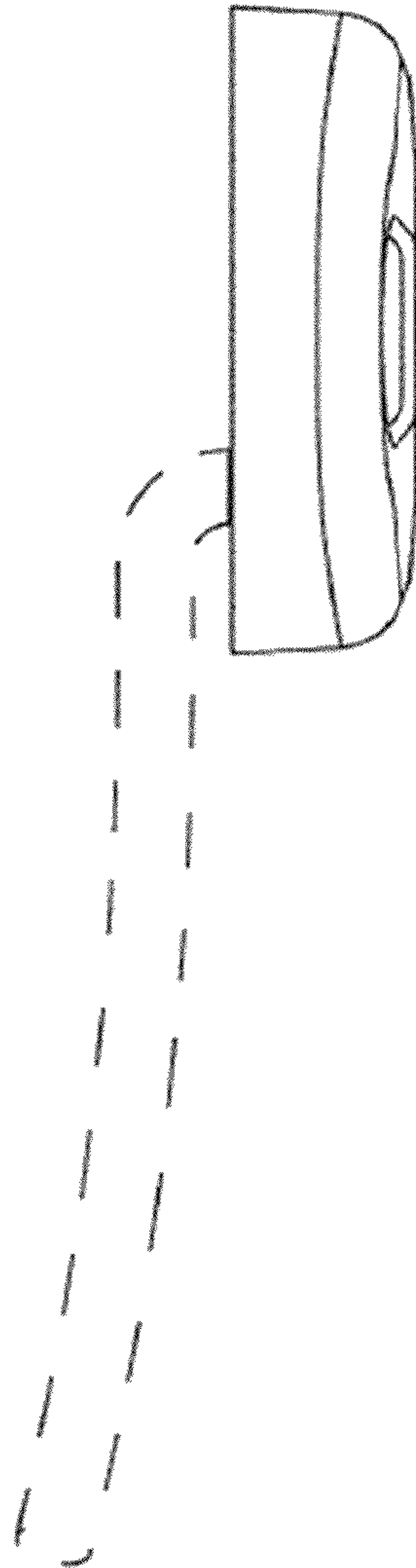


FIG. 7

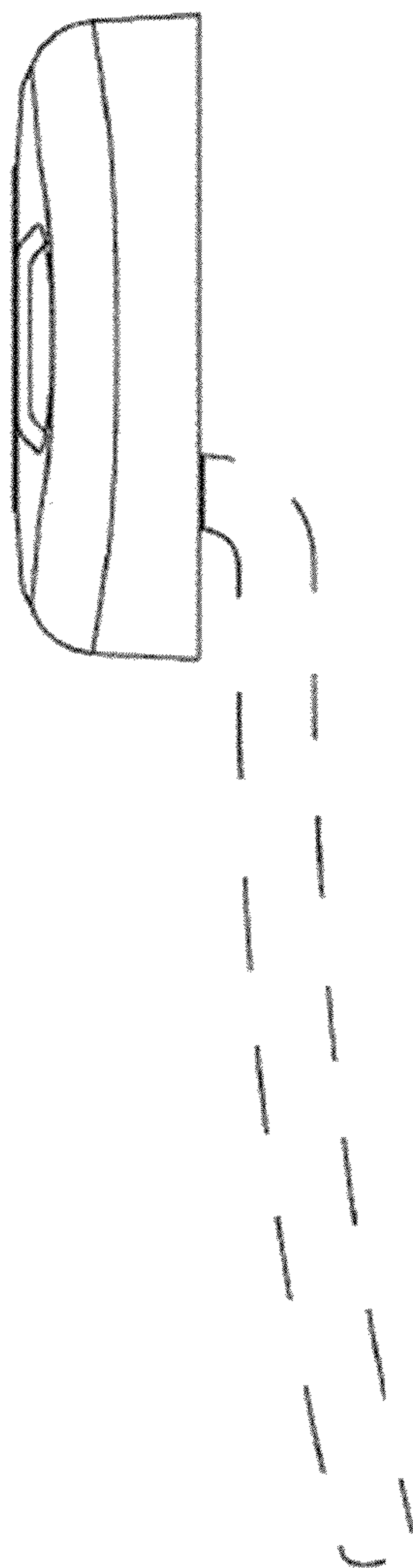


FIG. 8

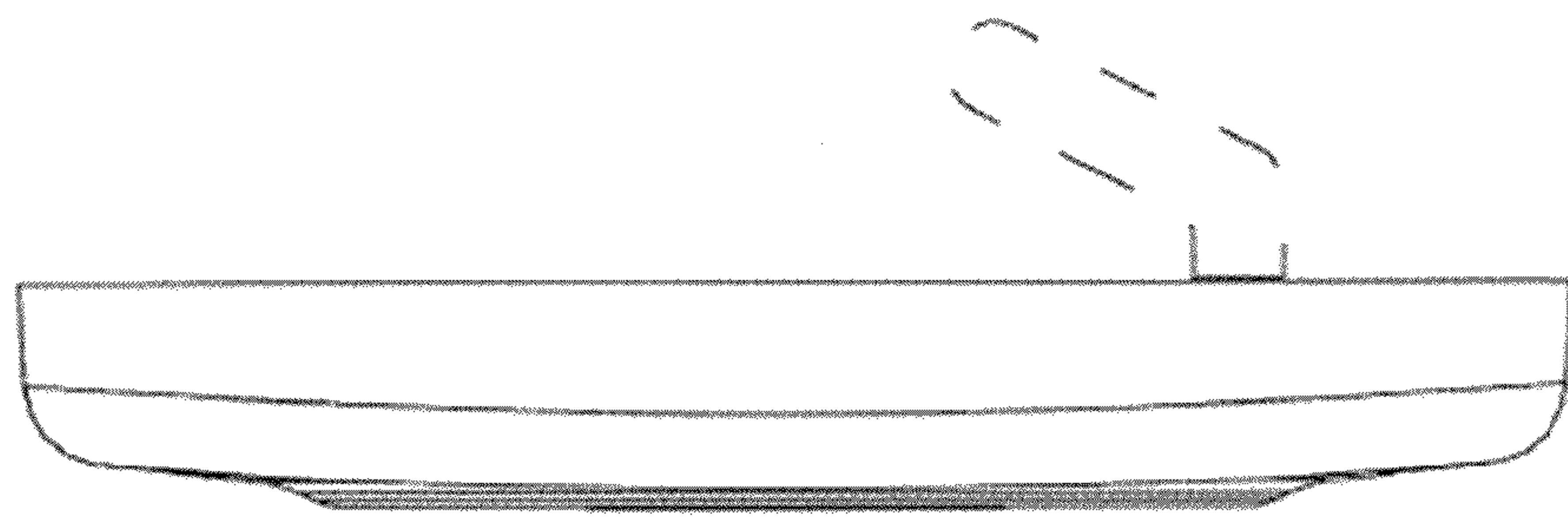


FIG. 9



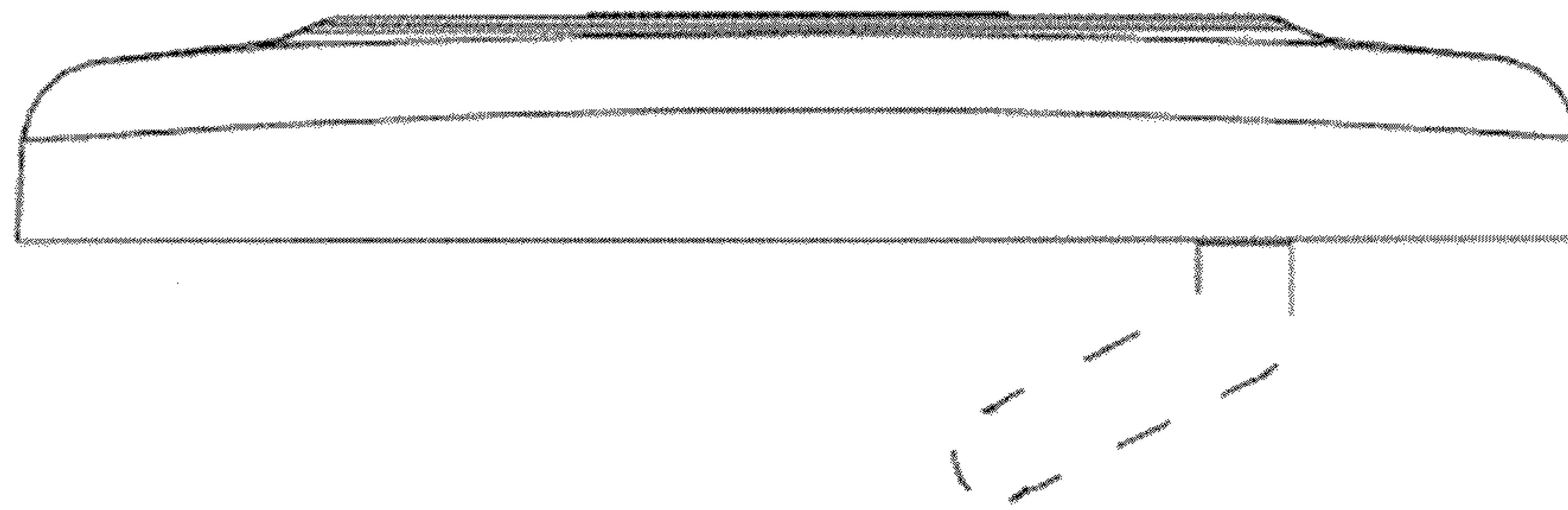


FIG. 10