



US00D739578S

(12) **United States Design Patent**  
**Han et al.**

(10) **Patent No.:** **US D739,578 S**

(45) **Date of Patent:** **\*\* Sep. 22, 2015**

- (54) **HEAD LAMP FOR AUTOMOBILE**
- (71) Applicant: **Kia Motors Corporation**, Seoul (KR)
- (72) Inventors: **Jae Do Han**, Gyeonggi-Do (KR); **Seo Hee Ahn**, Gyeonggi-Do (KR)
- (73) Assignee: **Kia Motors Corporation**, Seoul (KR)
- (\*\*) Term: **14 Years**

- (21) Appl. No.: **29/474,298**
- (22) Filed: **Aug. 5, 2014**

- (30) **Foreign Application Priority Data**  
Mar. 25, 2014 (KR) ..... 30-2014-0014837
- (51) **LOC (10) Cl.** ..... **26-06**
- (52) **U.S. Cl.**  
USPC ..... **D26/28**
- (58) **Field of Classification Search**  
USPC ..... D26/28-36, 113, 118, 121, 138-140;  
362/84, 341, 459-468, 473, 475-478,  
362/485-487, 511, 523  
CPC ..... B62J 6/02; B62J 6/04; B60Q 1/0047;  
B60Q 1/18; B60Q 1/2696; B60Q 1/46;  
F21S 48/1233; F21S 48/10; F21S 48/335;  
F21S 48/00; F21S 48/1258  
See application file for complete search history.

- (56) **References Cited**  
U.S. PATENT DOCUMENTS  
D635,701 S \* 4/2011 Chang et al. .... D26/28  
D636,506 S \* 4/2011 Kim et al. .... D26/28  
D654,604 S \* 2/2012 Chang et al. .... D26/28

- D656,635 S \* 3/2012 Choo et al. .... D26/28
- D701,335 S \* 3/2014 Jeong et al. .... D26/28
- D708,367 S \* 7/2014 Tajima et al. .... D26/28
- D709,218 S \* 7/2014 Kim et al. .... D26/28
- D709,219 S \* 7/2014 Kim et al. .... D26/28
- D714,977 S \* 10/2014 Lee et al. .... D26/28
- D717,980 S \* 11/2014 Lai ..... D26/28
- D718,893 S \* 12/2014 Lai ..... D26/28
- D720,870 S \* 1/2015 Lim et al. .... D26/28
- D721,196 S \* 1/2015 Lai ..... D26/28

\* cited by examiner

*Primary Examiner* — Cynthia Ramirez

*Assistant Examiner* — Llorellys Martinez-Rivera

(74) *Attorney, Agent, or Firm* — Mintz Levin Cohn Ferris Glovsky and Popeo, P.C.; Kongsik Kim

(57) **CLAIM**

The ornamental design for a head lamp for automobile, as shown and described.

**DESCRIPTION**

FIG. 1 is a perspective view of a head lamp for automobile according to the present invention.

FIG. 2 is a front view of the head lamp for automobile of FIG. 1.

FIG. 3 is a rear view of the head lamp for automobile of FIG. 1.

FIG. 4 is a left side view of the head lamp for automobile of FIG. 1.

FIG. 5 is a right side view of the head lamp for automobile of FIG. 1.

FIG. 6 is a top view of the head lamp for automobile of FIG. 1; and,

FIG. 7 is a bottom view of the head lamp for automobile of FIG. 1.

**1 Claim, 7 Drawing Sheets**

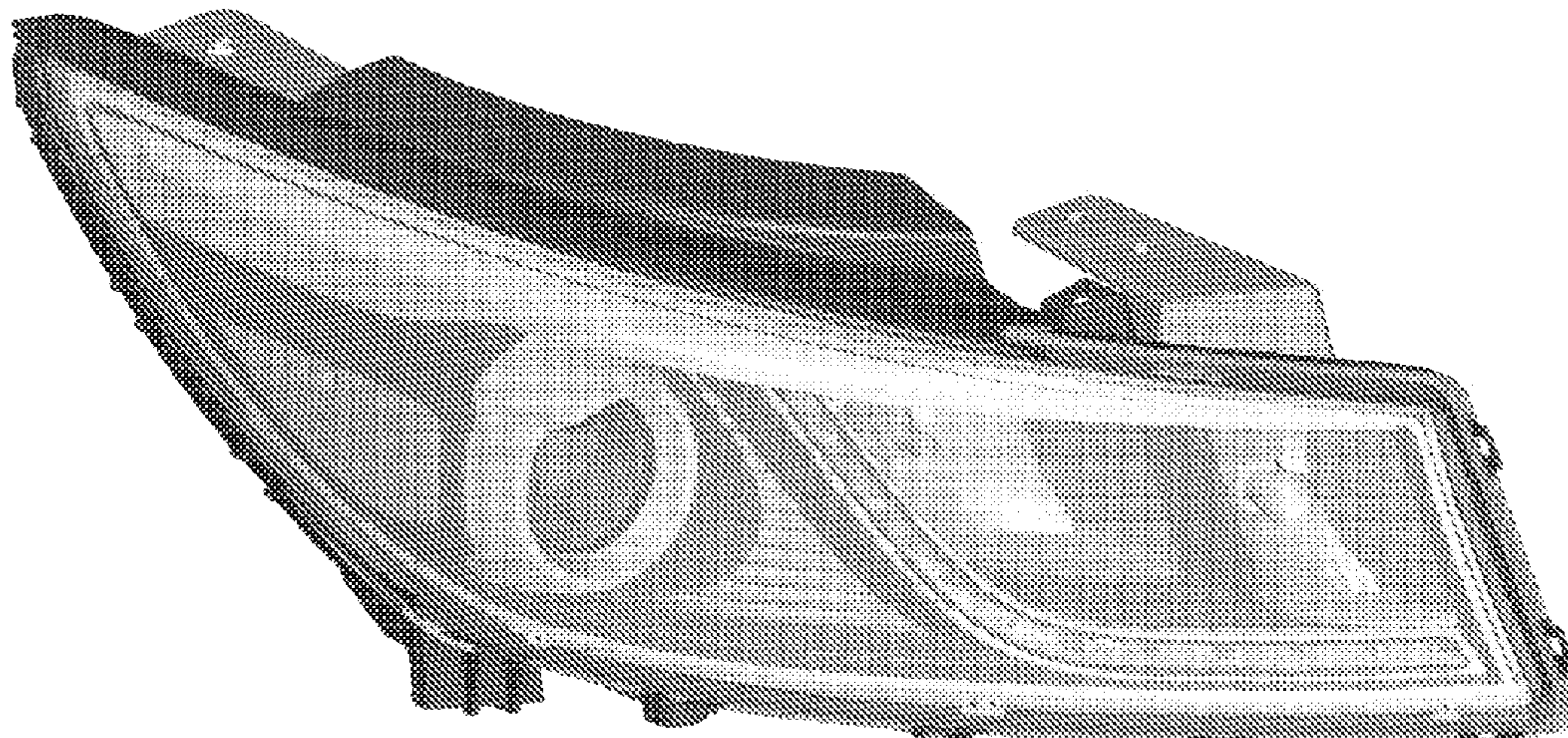
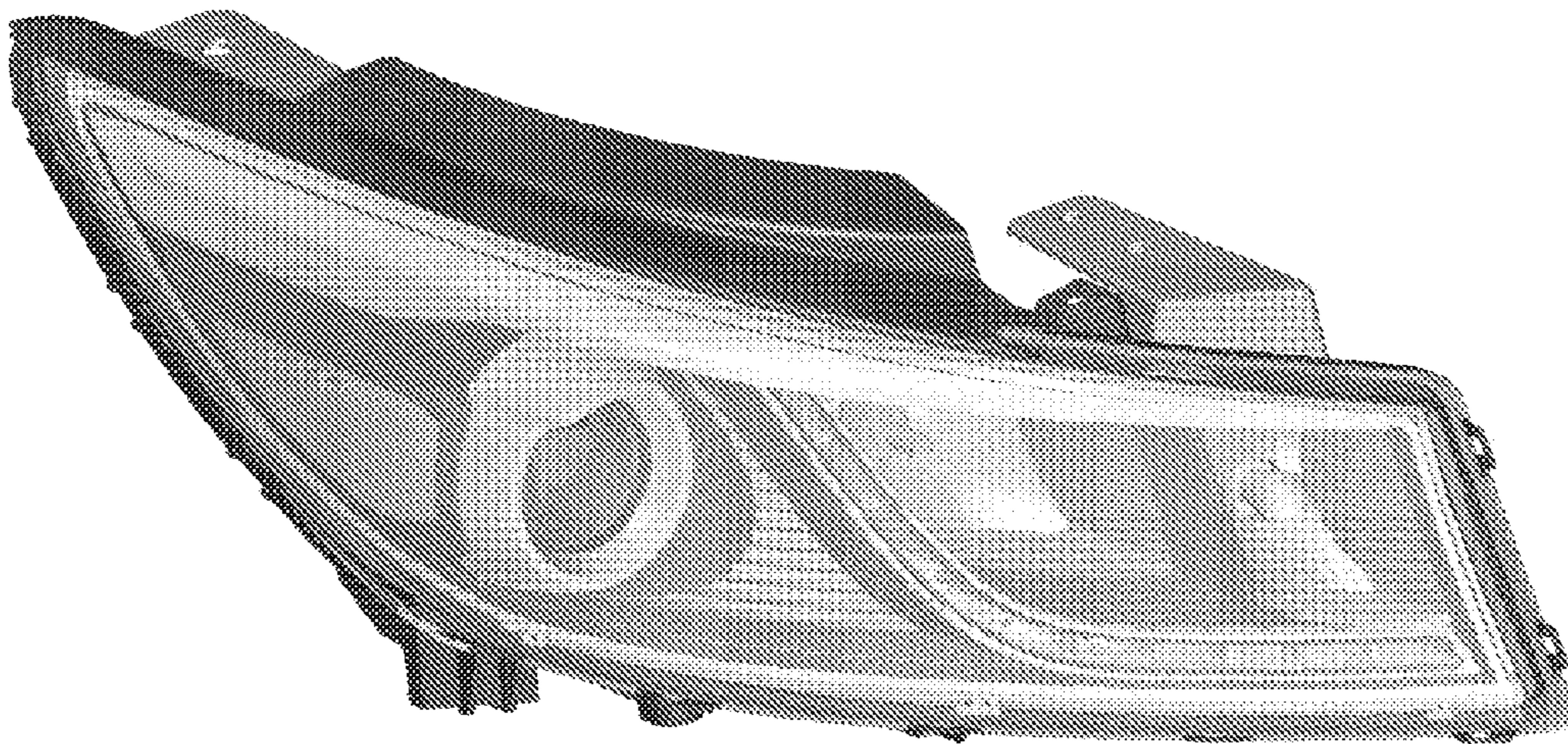
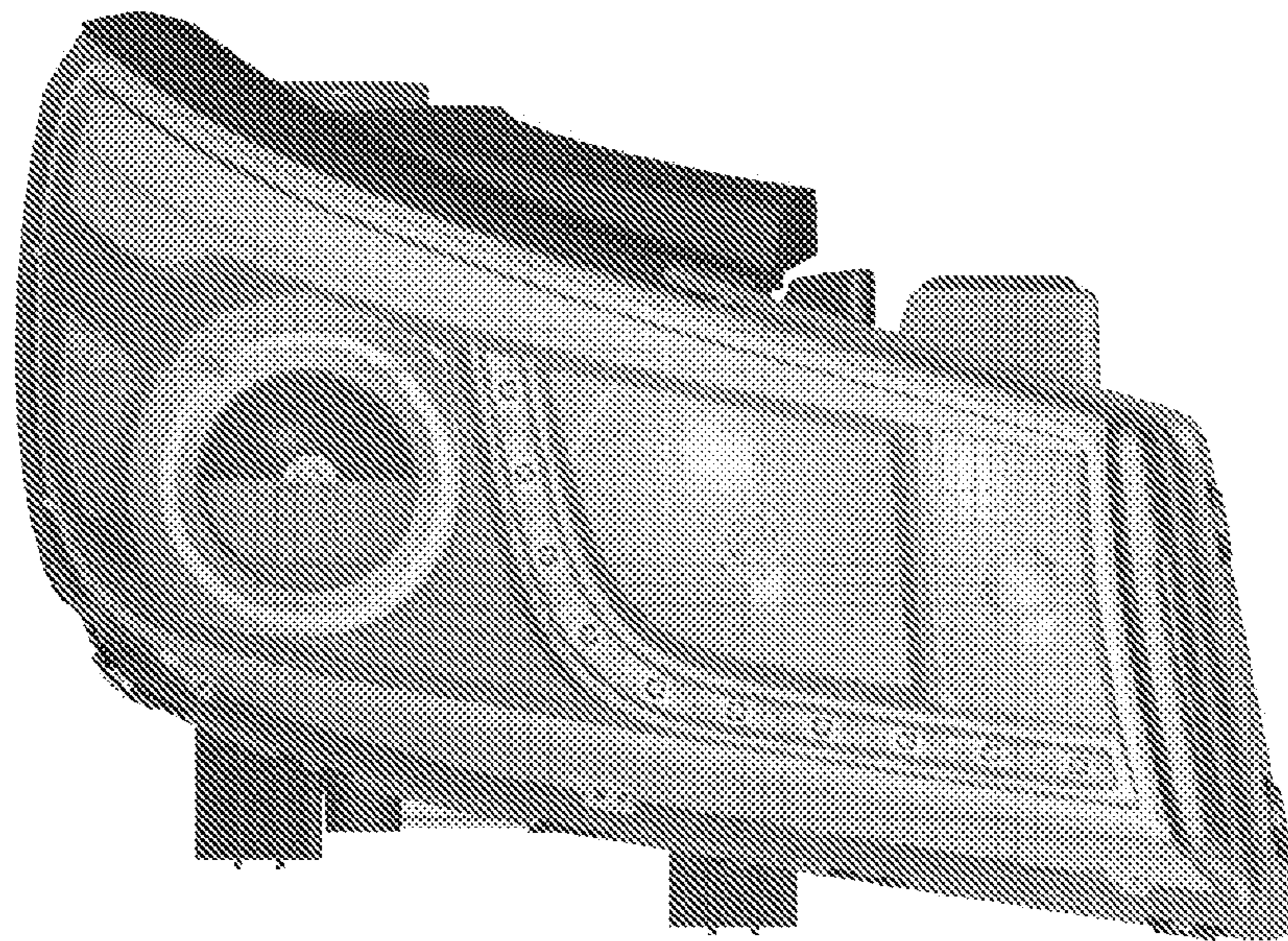


FIG. 1



**FIG. 2**



**FIG. 3**

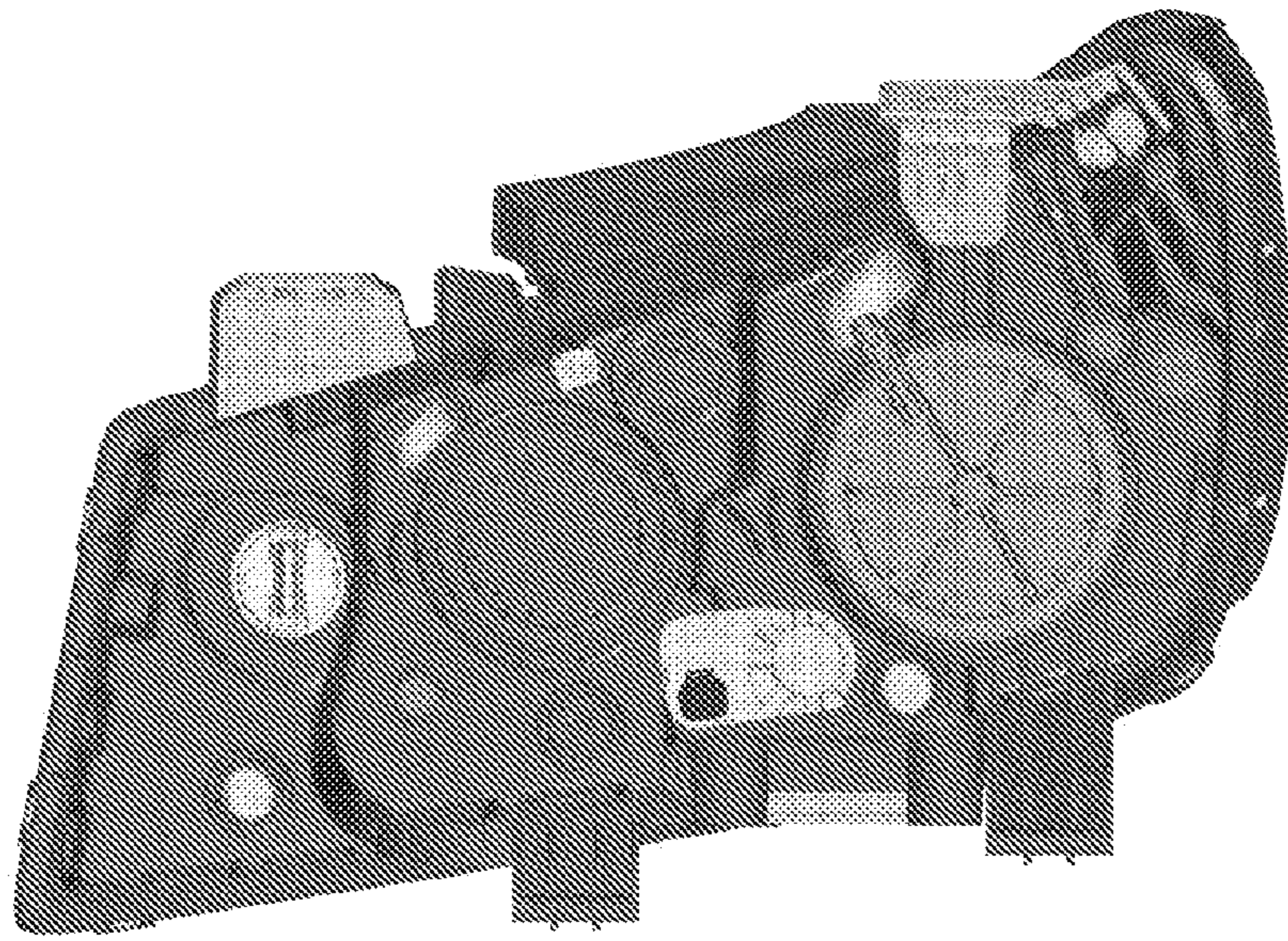


FIG. 4

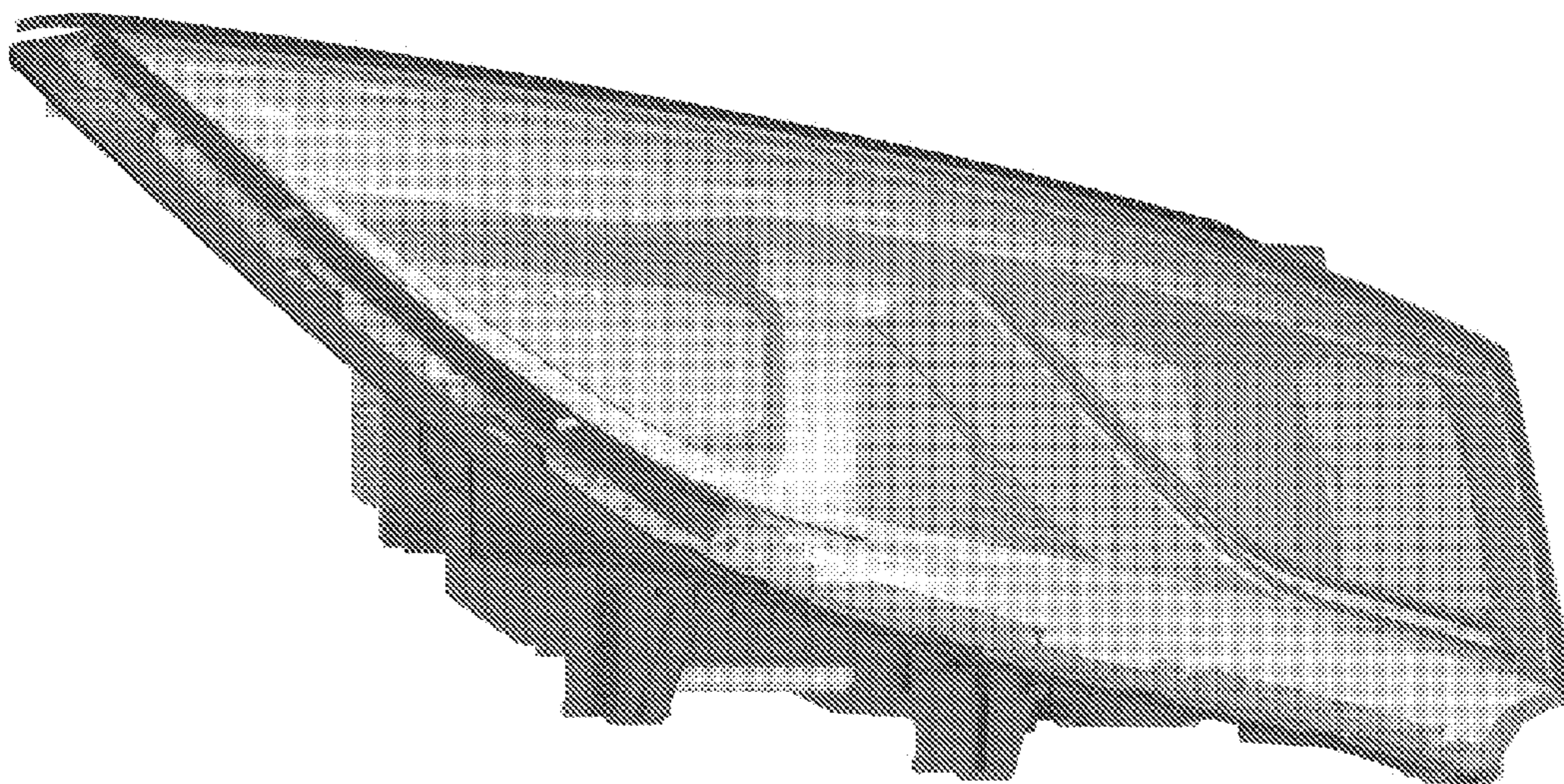


FIG. 5

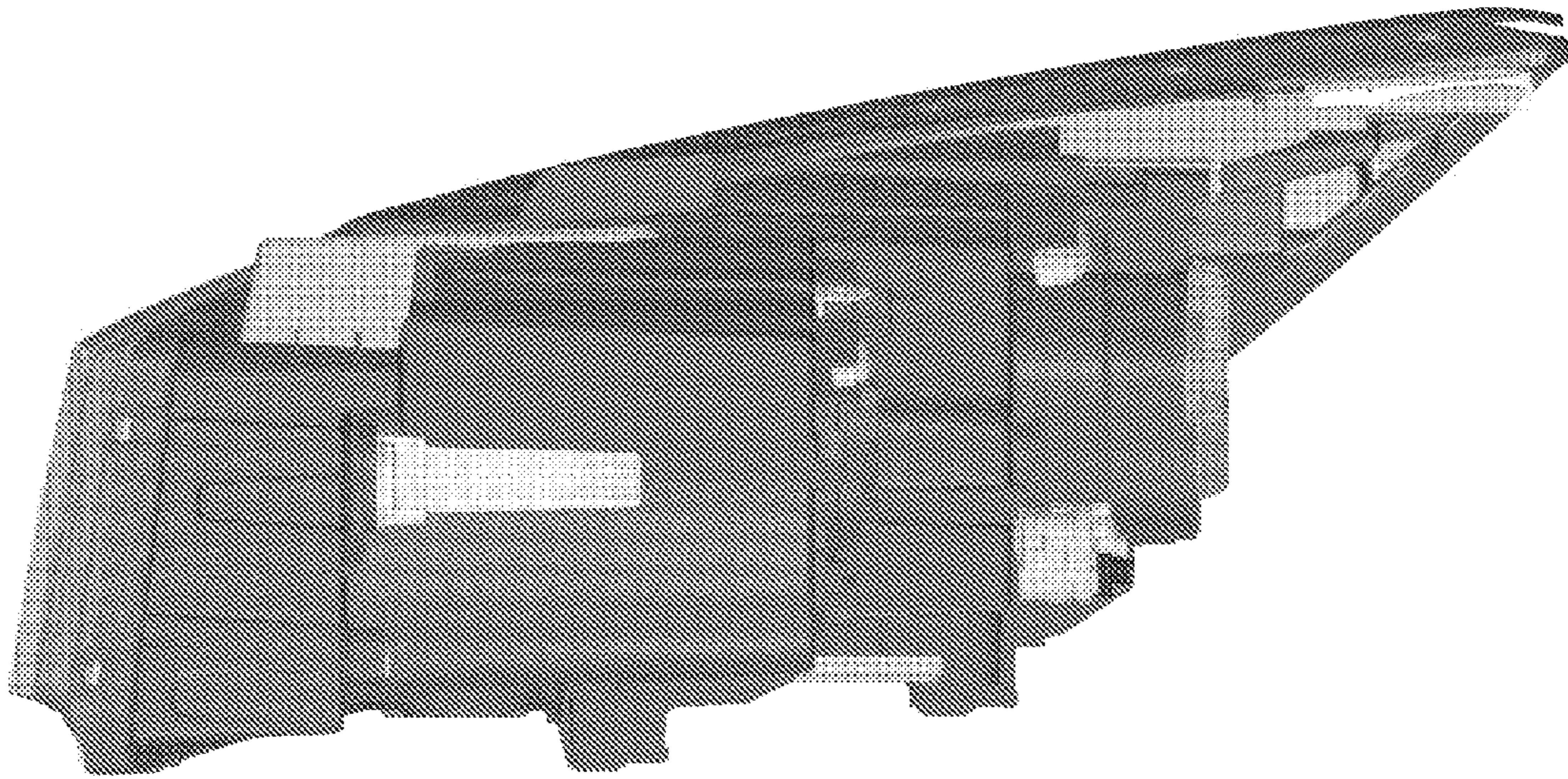


FIG. 6

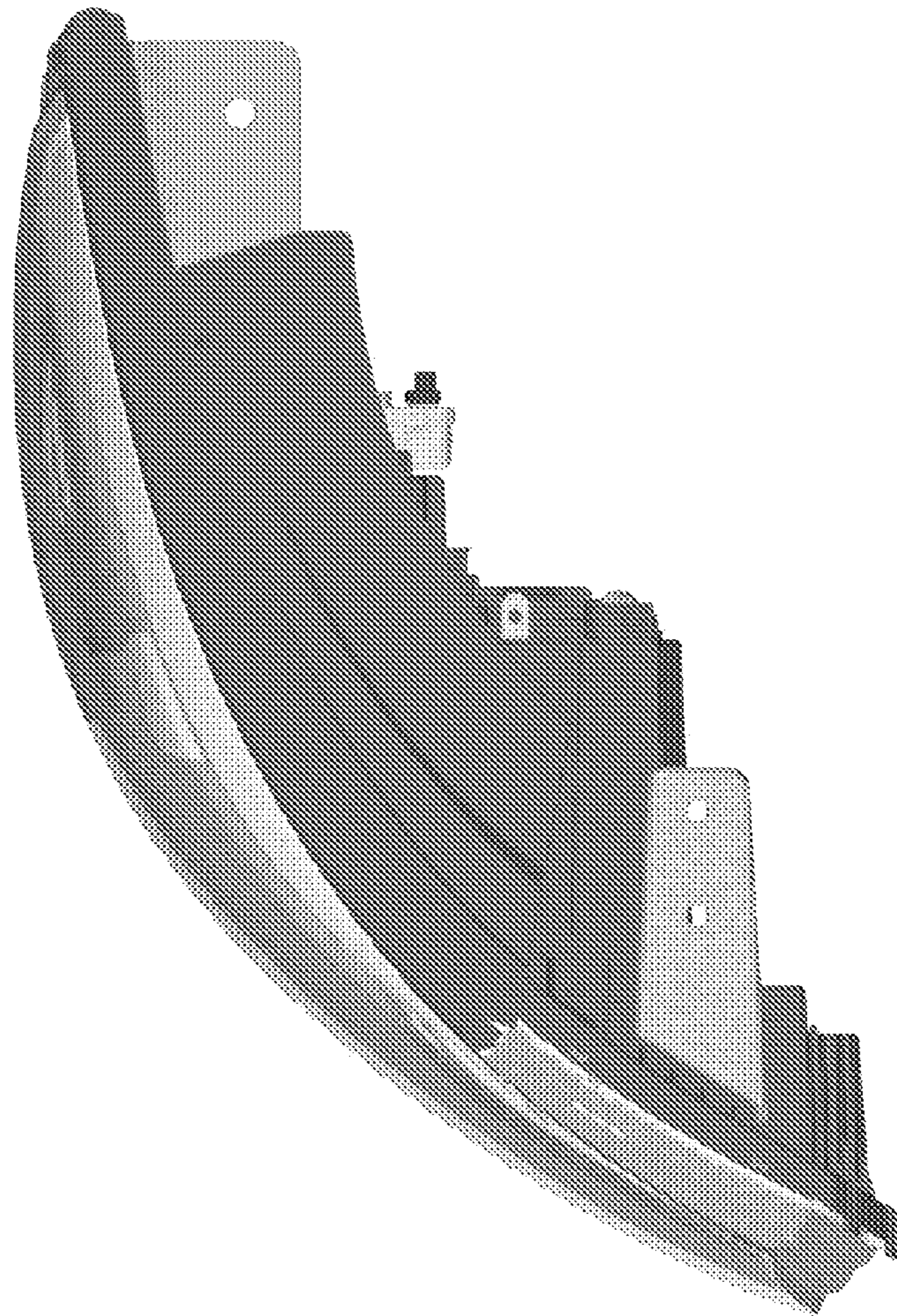


FIG. 7

