

US00D739576S

(12) **United States Design Patent**  
**Okuda**

(10) **Patent No.:** **US D739,576 S**

(45) **Date of Patent:** **\*\* Sep. 22, 2015**

(54) **LIGHT FOR A BICYCLE**

(71) Applicant: **Cateye Co., Ltd.**, Osaka (JP)

(72) Inventor: **Yoji Okuda**, Osaka (JP)

(73) Assignee: **Cateye Co., Ltd.**, Osaka (JP)

(\*\*) Term: **14 Years**

(21) Appl. No.: **29/466,352**

(22) Filed: **Sep. 6, 2013**

(30) **Foreign Application Priority Data**

Mar. 26, 2013 (JP) ..... 2013-006667

(51) **LOC (10) Cl.** ..... **26-05**

(52) **U.S. Cl.**

USPC ..... **D26/28**

(58) **Field of Classification Search**

USPC ..... D26/24, 28, 60

CPC ..... F21S 48/00; F21S 48/20; F21V 21/08;

F21V 21/088; F21W 2101/023

See application file for complete search history.

(56) **References Cited**

U.S. PATENT DOCUMENTS

D595,884 S *	7/2009	Liao et al.	.....	D26/60
D678,565 S	3/2013	Janssen		
D678,566 S *	3/2013	Janssen	.....	D26/28
D724,244 S *	3/2015	Hayez et al.	.....	D26/28

FOREIGN PATENT DOCUMENTS

JP	1461503	2/2013
JP	1481770	10/2013
TW	D107549	11/2005
TW	D124518	8/2008
TW	D146926	5/2012

\* cited by examiner

*Primary Examiner* — Brian N. Vinson

(74) *Attorney, Agent, or Firm* — Arnstein & Lehr LLP

(57) **CLAIM**

The ornamental design for a light for a bicycle, as shown.

**DESCRIPTION**

FIG. 1 is a front view of a light for a bicycle showing my new design;

FIG. 2 is a rear view thereof;

FIG. 3 is a top plan view thereof;

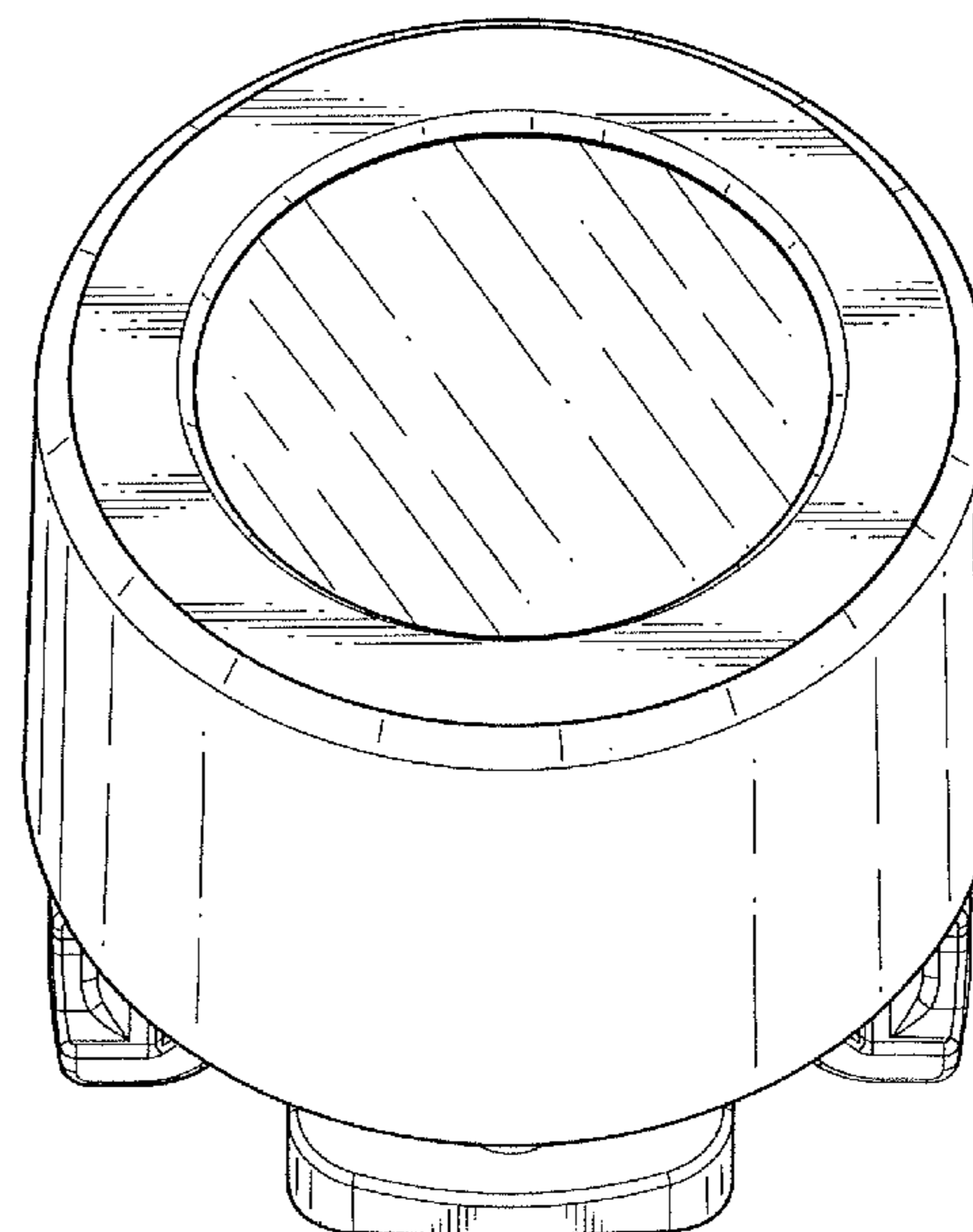
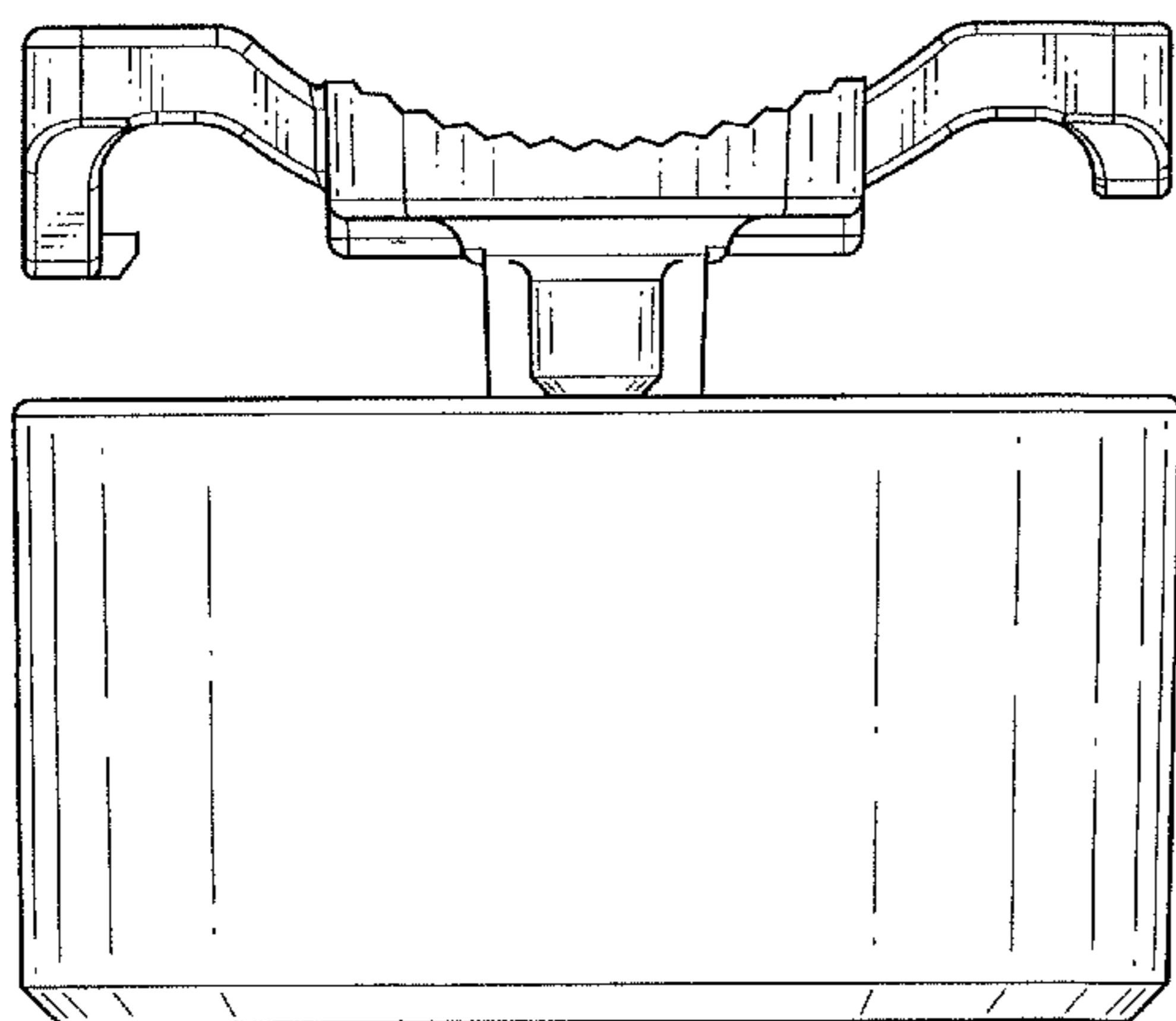
FIG. 4 is a bottom plan view thereof;

FIG. 5 is a right side view thereof;

FIG. 6 is a left side view thereof; and,

FIG. 7 is a perspective view thereof.

**1 Claim, 7 Drawing Sheets**



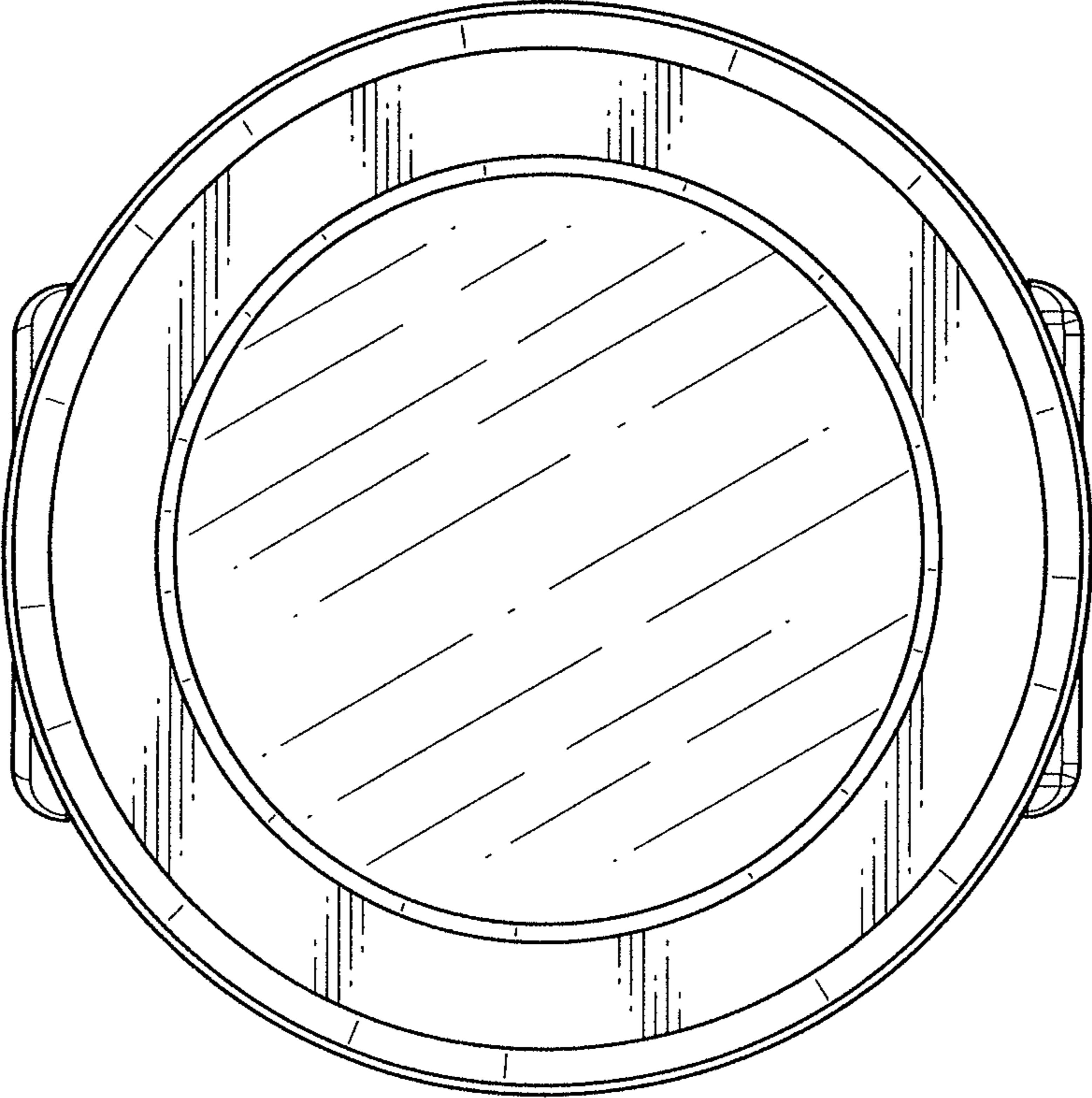


Fig. 1

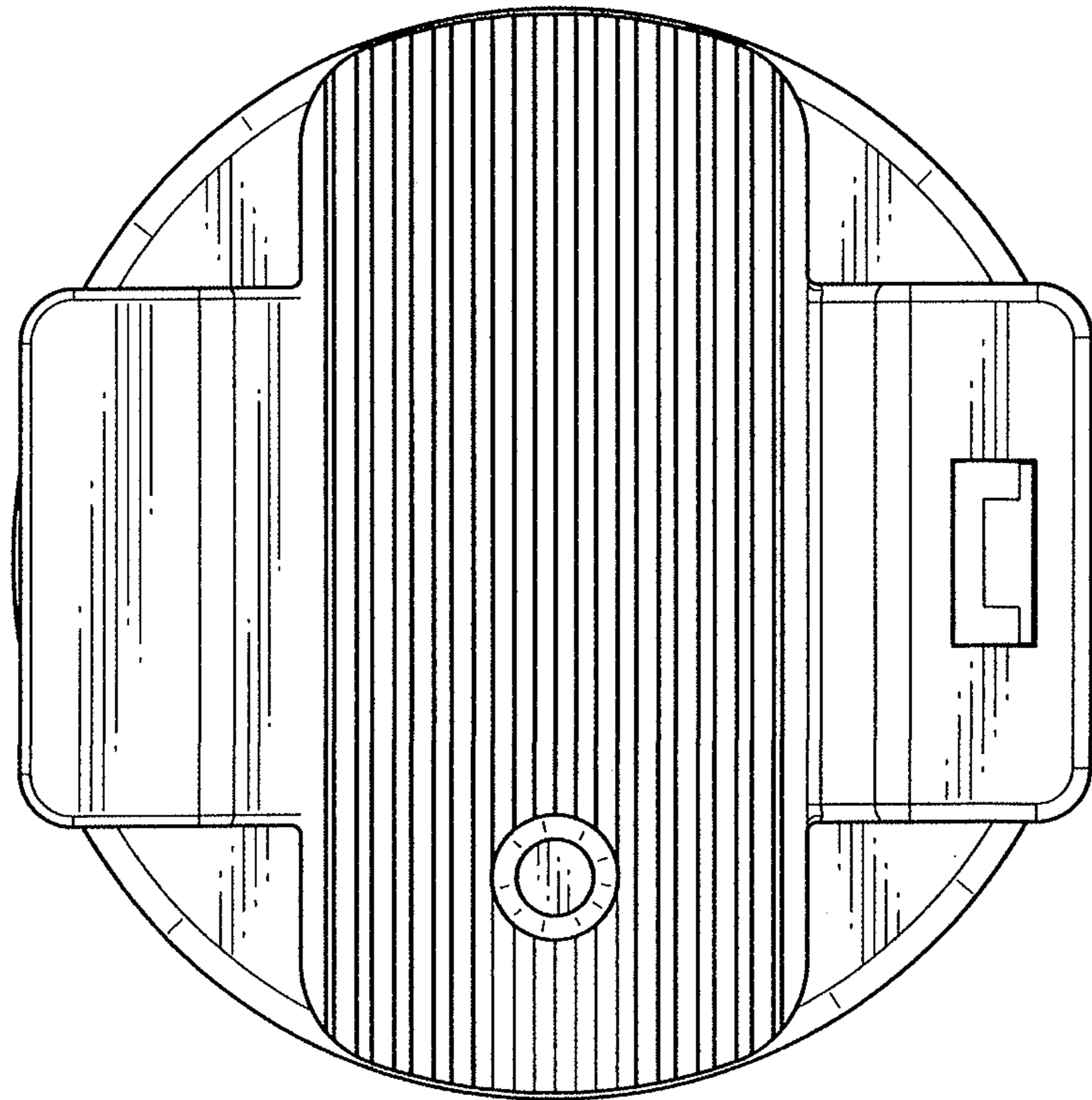


Fig. 2

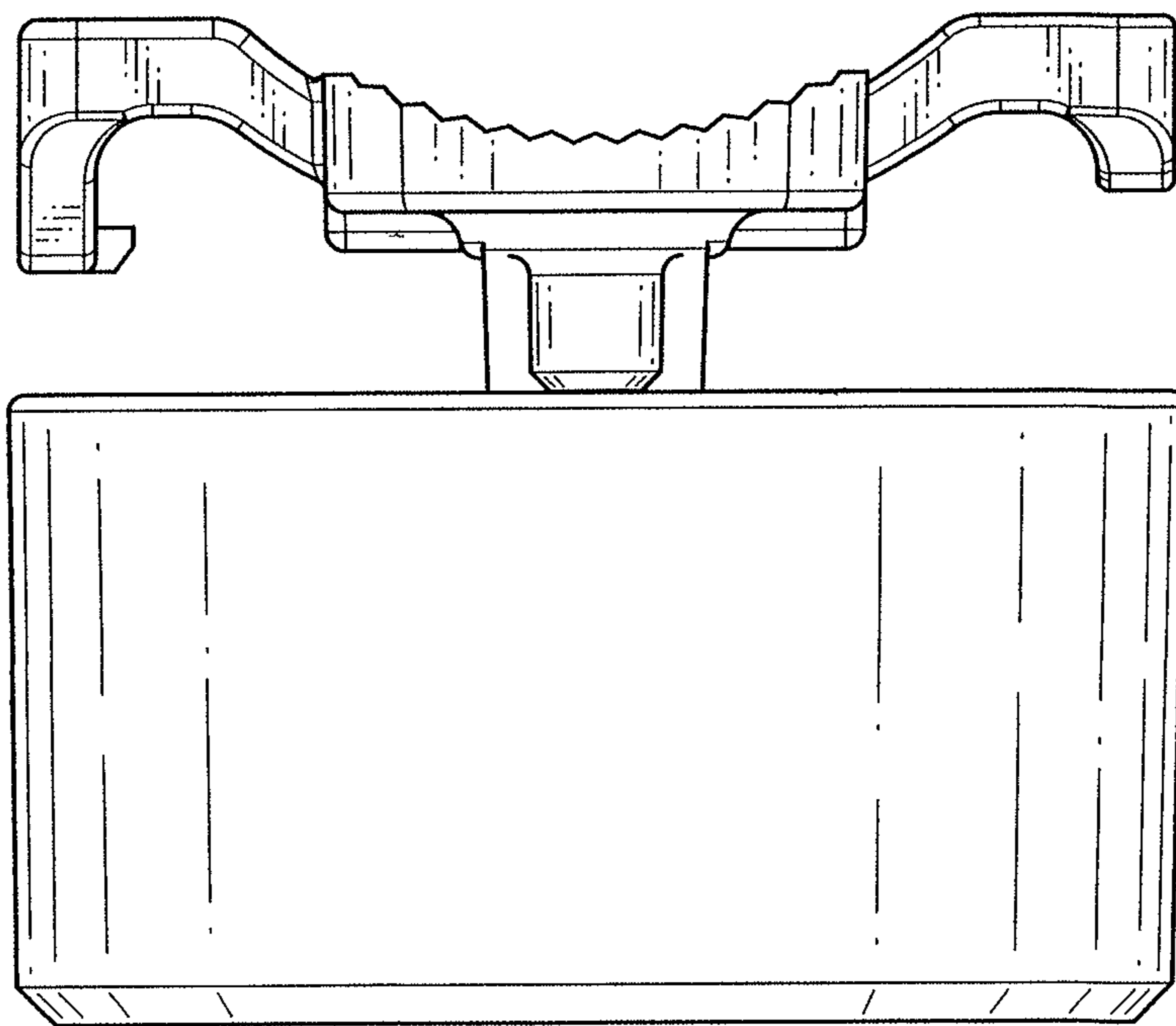


Fig. 3

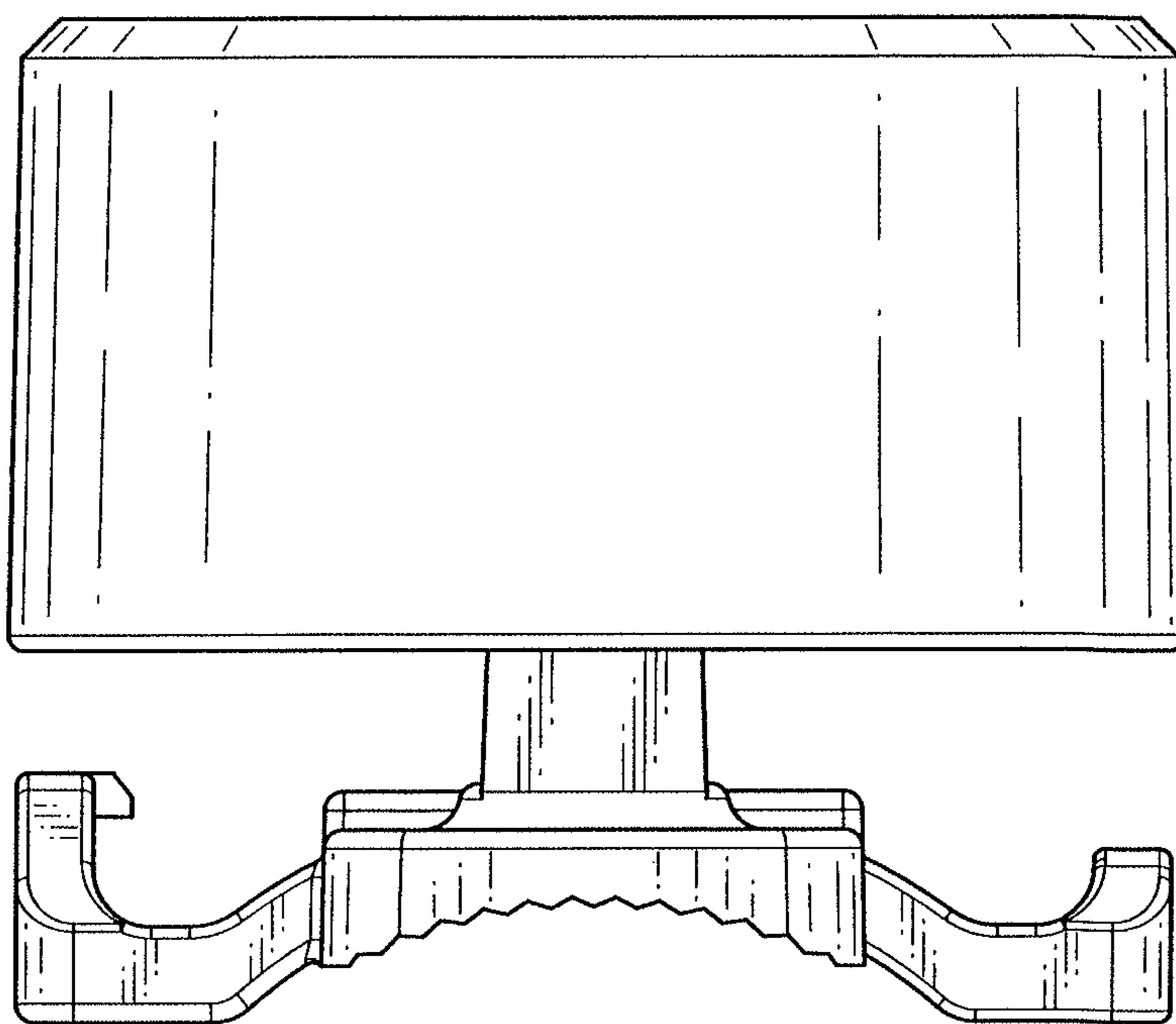


Fig. 4

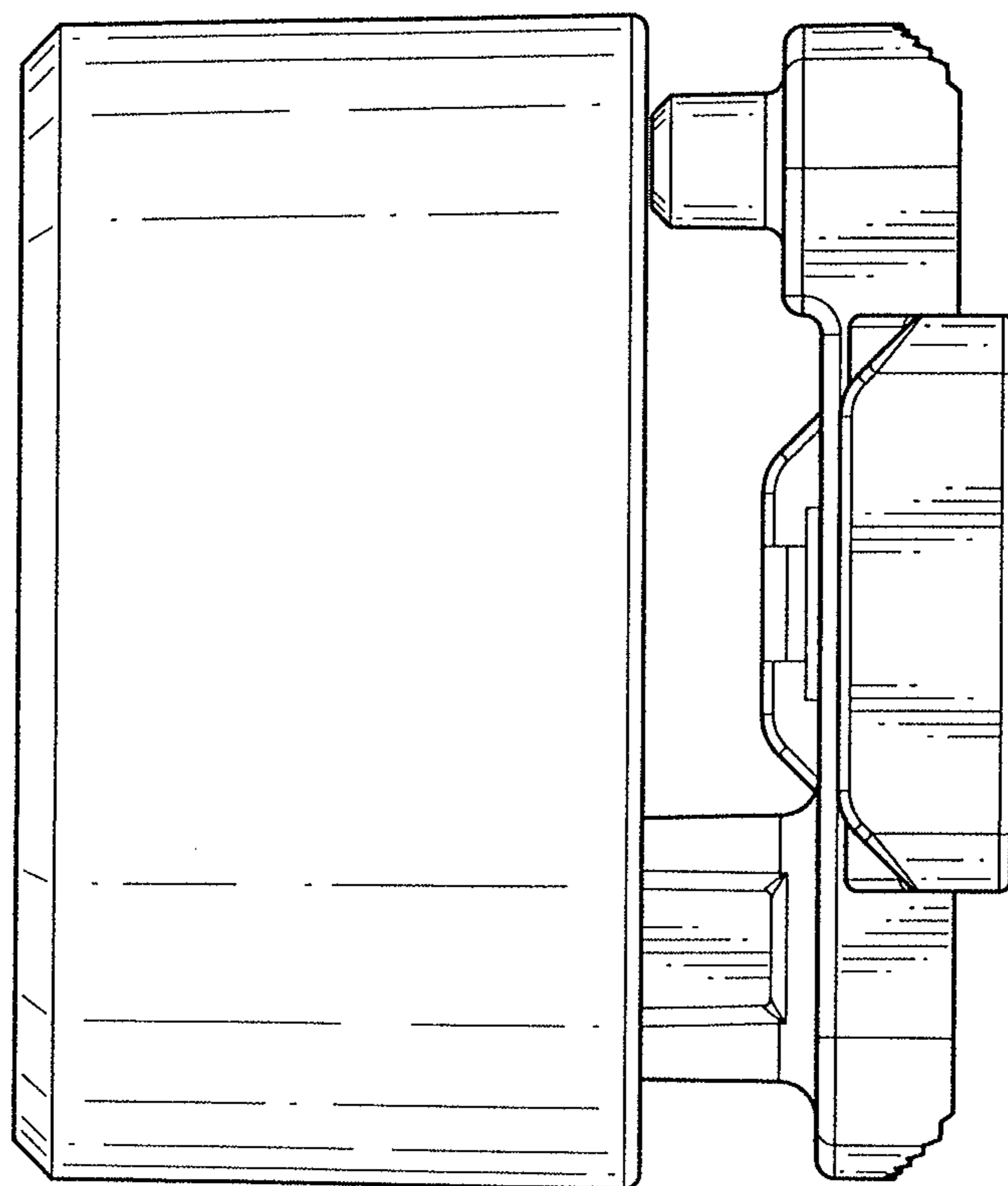


Fig. 5

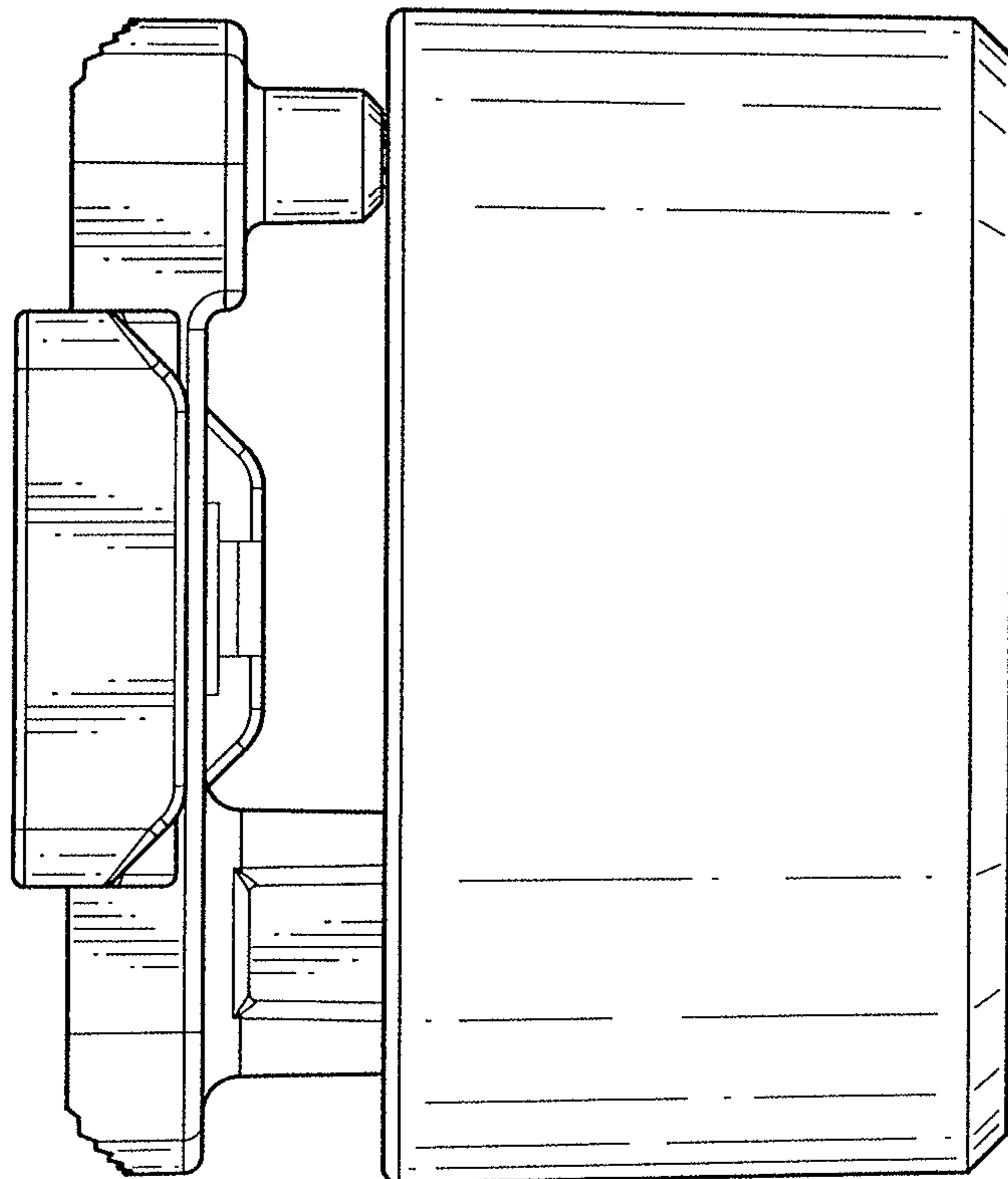


Fig. 6



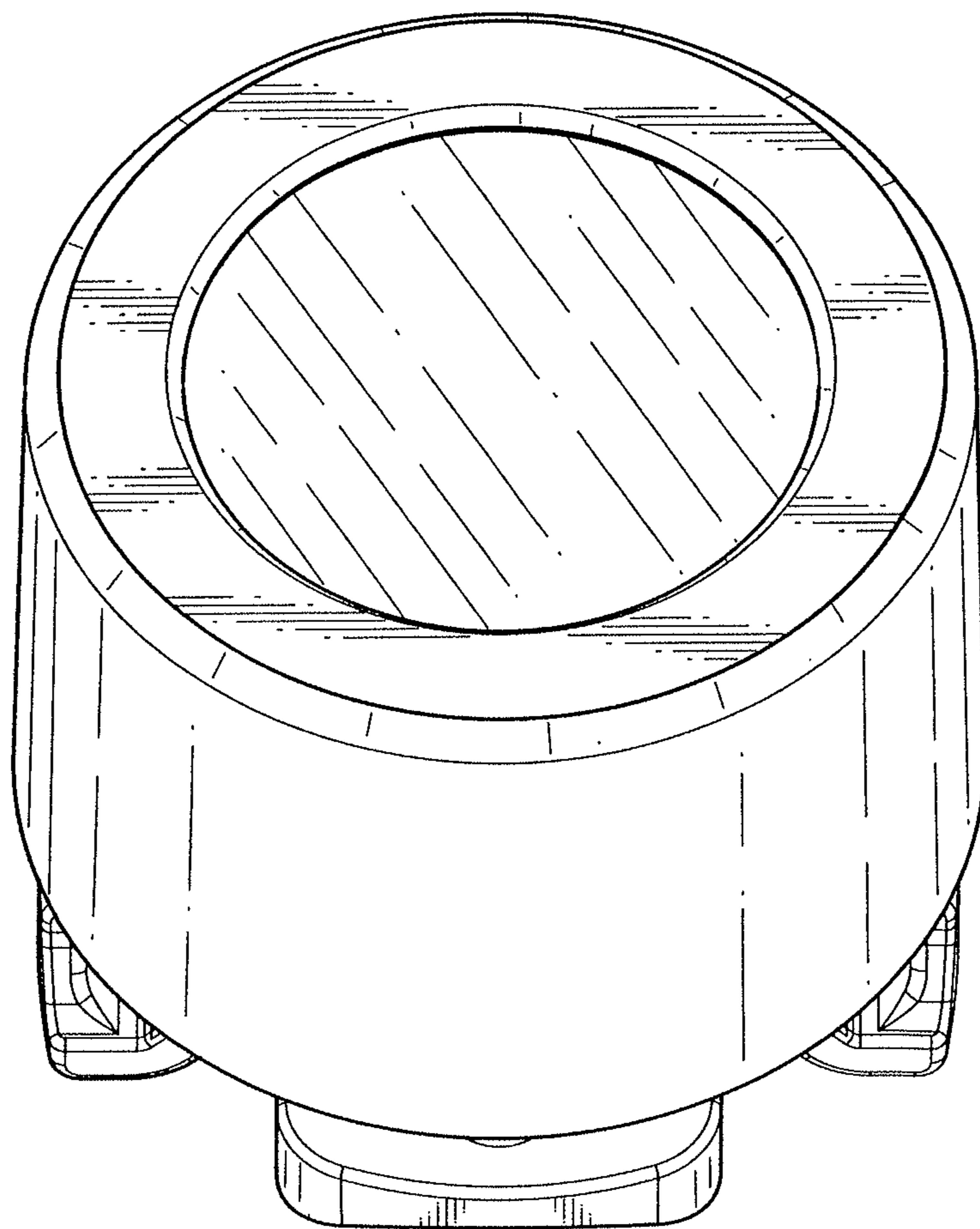


Fig. 7