

US00D739575S

(12) **United States Design Patent**
Beaven

(10) **Patent No.:** **US D739,575 S**

(45) **Date of Patent:** **** Sep. 22, 2015**

(54) **LIGHTING SIGNATURE**

(71) Applicant: **Jaguar Land Rover Limited**, Coventry (GB)

(72) Inventor: **Matthew Beaven**, Coventry (GB)

(73) Assignee: **Jaguar Land Rover Limited** (GB)

(**) Term: **14 Years**

(21) Appl. No.: **29/463,768**

(22) Filed: **Feb. 28, 2014**

(30) **Foreign Application Priority Data**

Sep. 2, 2013 (EM) 002301242

Sep. 6, 2013 (EM) 002304477

(51) **LOC (10) Cl.** **26-06**

(52) **U.S. Cl.**
USPC **D26/28**

(58) **Field of Classification Search**

USPC D26/139, 28, 31, 34, 36, 140, 121;
362/341, 473, 475, 523, 84, 459-468,
362/485-487, 494, 511; D12/187-189;
359/838

CPC B62J 6/00; B62J 17/202
See application file for complete search history.

(56) **References Cited**

U.S. PATENT DOCUMENTS

D281,411 S *	11/1985	Abe	D12/188
D302,335 S *	7/1989	Smith et al.	D26/139
5,774,283 A *	6/1998	Nagel et al.	359/838
D636,311 S *	4/2011	Faghihzadeh	D12/187
8,177,401 B2 *	5/2012	Hwang et al.	362/494
D725,562 S *	3/2015	Beaven	D12/187

* cited by examiner

Primary Examiner — Ralf Seifert

(74) *Attorney, Agent, or Firm* — Fishman Stewart Yamaguchi PLLC

(57) **CLAIM**

The ornamental design of a lighting signature, as shown and described.

DESCRIPTION

The patent or application file contains at least one drawing executed in color. Copies of this patent or patent application publication with color drawings will be provided by the Office upon request and payment of the necessary fee.

FIG. 1 is a front perspective view of a lighting signature showing my new design in color;

FIG. 2 is a rear perspective view of FIG. 1;

FIG. 3 is a front view of FIG. 1;

FIG. 4 is a rear view of FIG. 1;

FIG. 5 is a side view of FIG. 1;

FIG. 6 is a top view of FIG. 1;

FIG. 7 is a front perspective view of lighting signature in black and white;

FIG. 8 is a rear perspective view of FIG. 7;

FIG. 9 is a front view of FIG. 7;

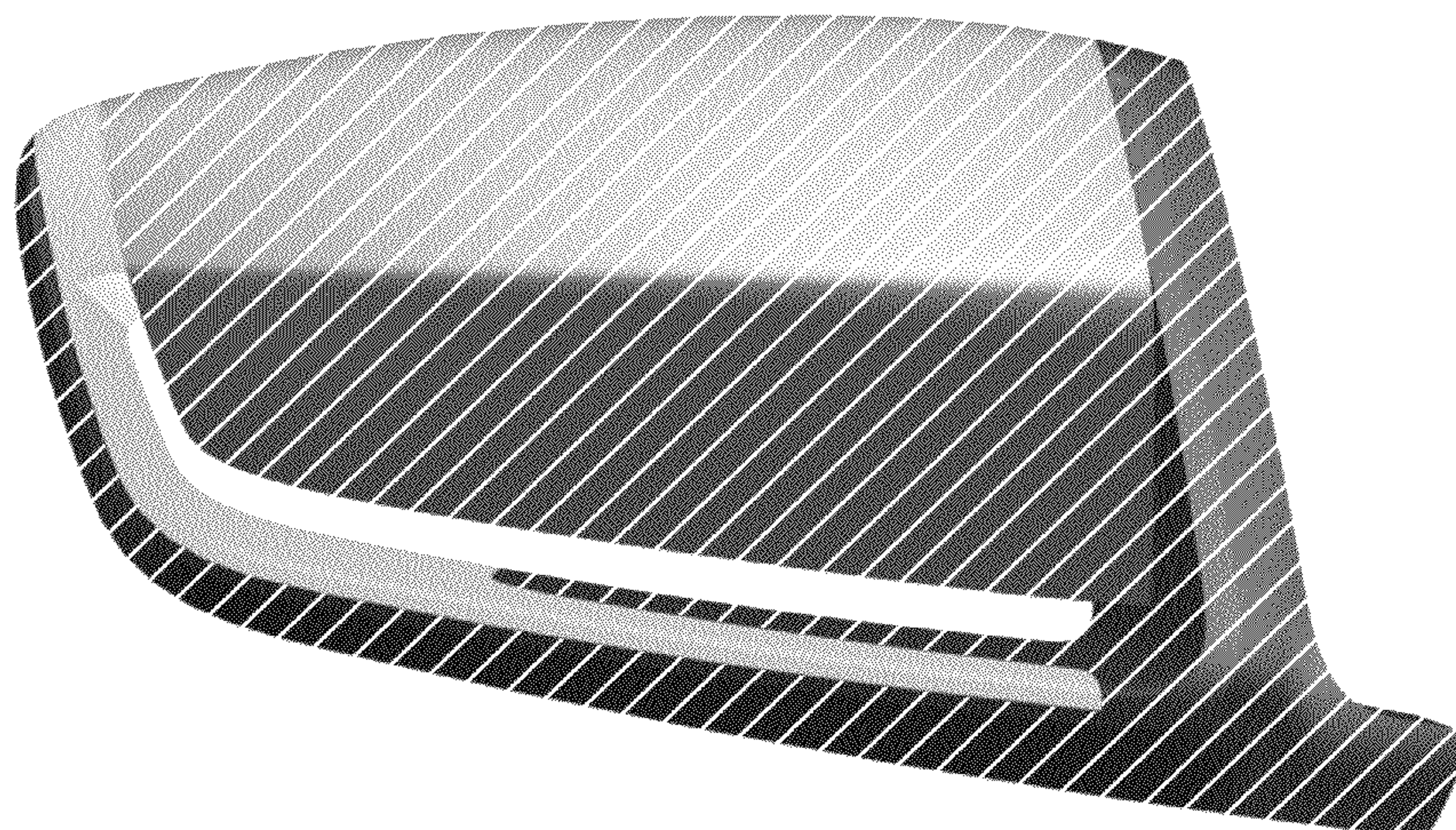
FIG. 10 is a rear view of FIG. 7;

FIG. 11 is a side view of FIG. 7; and,

FIG. 12 is a top view of FIG. 7.

Portions of the figures that contain diagonal lines are for illustrative purposes only and form no part of the claimed design.

1 Claim, 6 Drawing Sheets
(3 of 6 Drawing Sheet(s) Filed in Color)



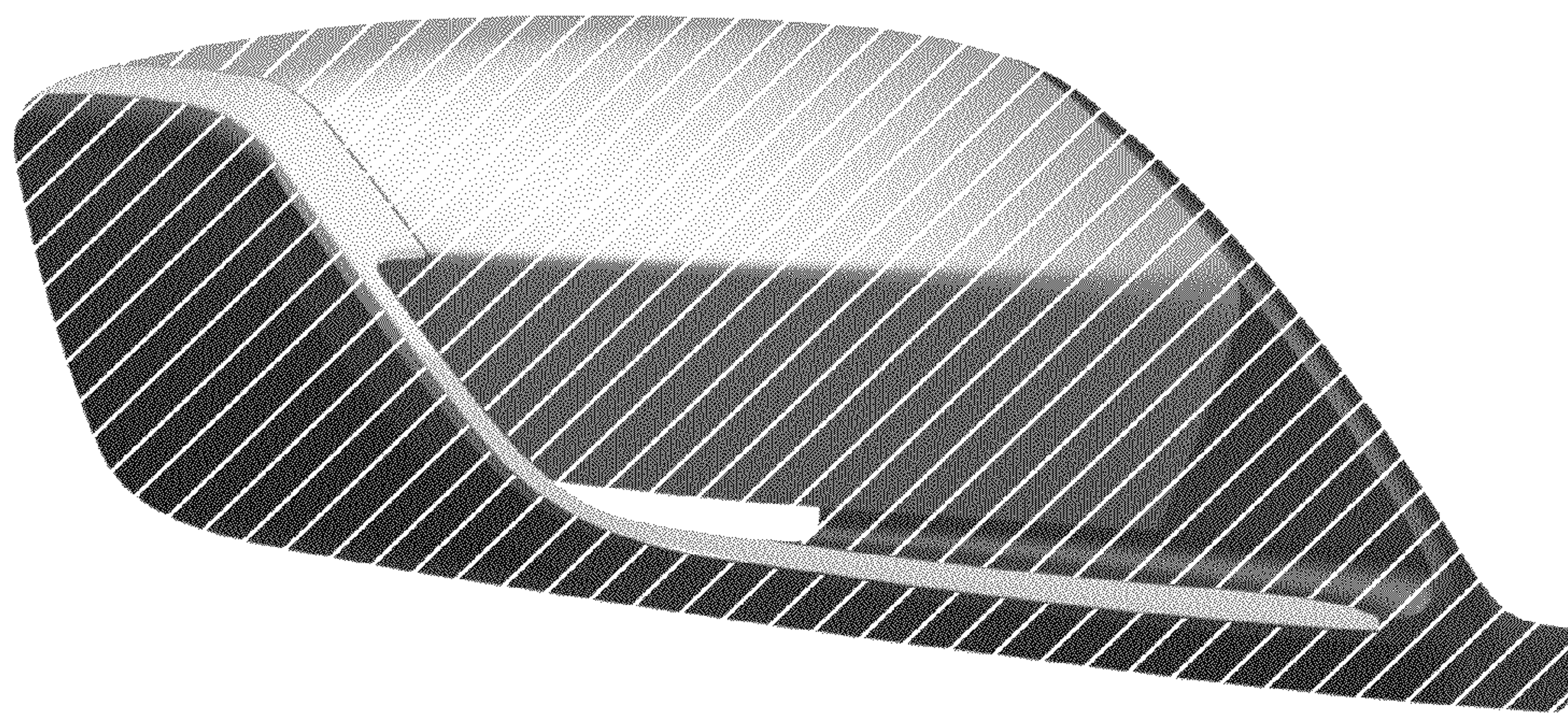


FIG. 1

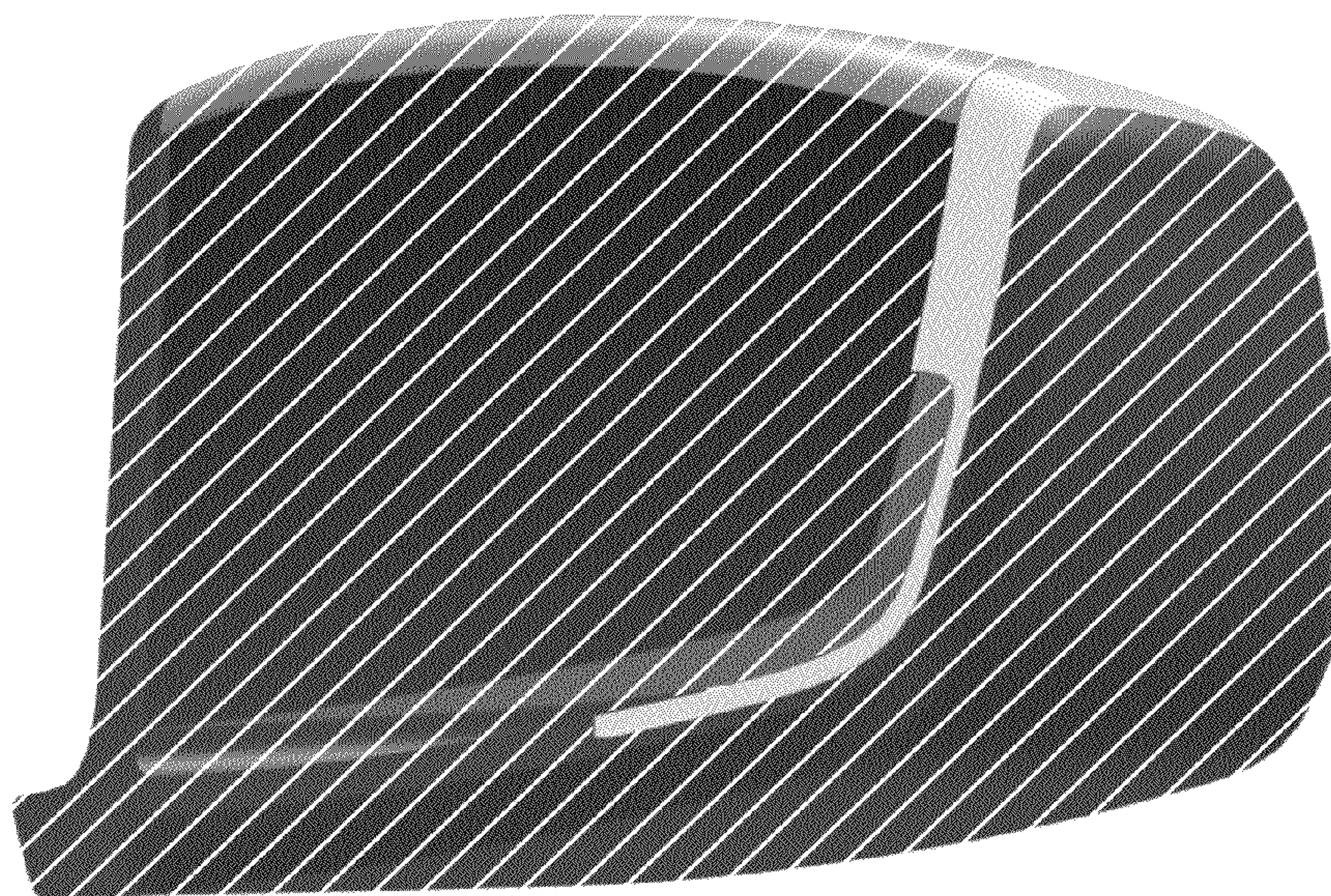


FIG. 2

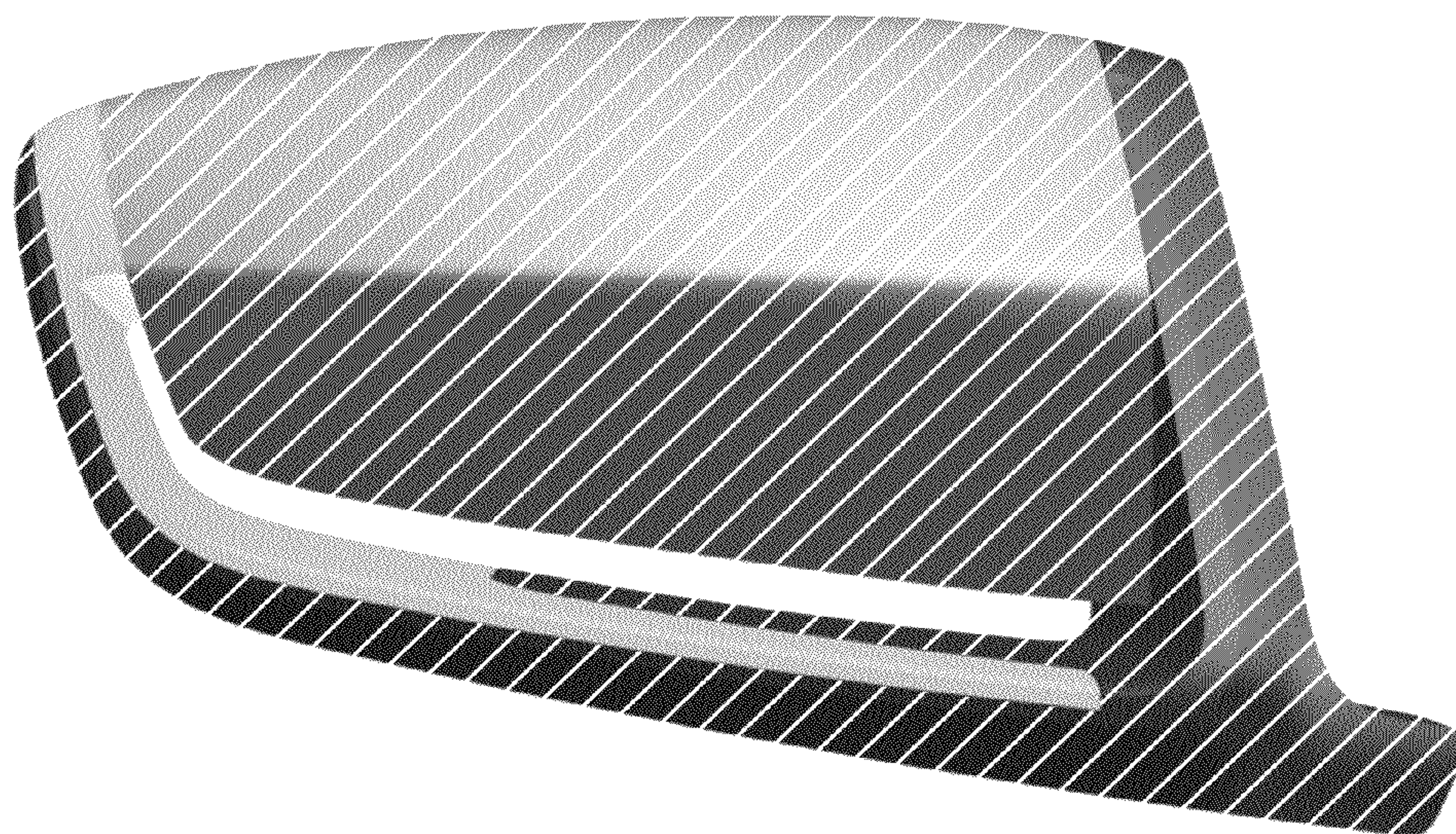


FIG. 3

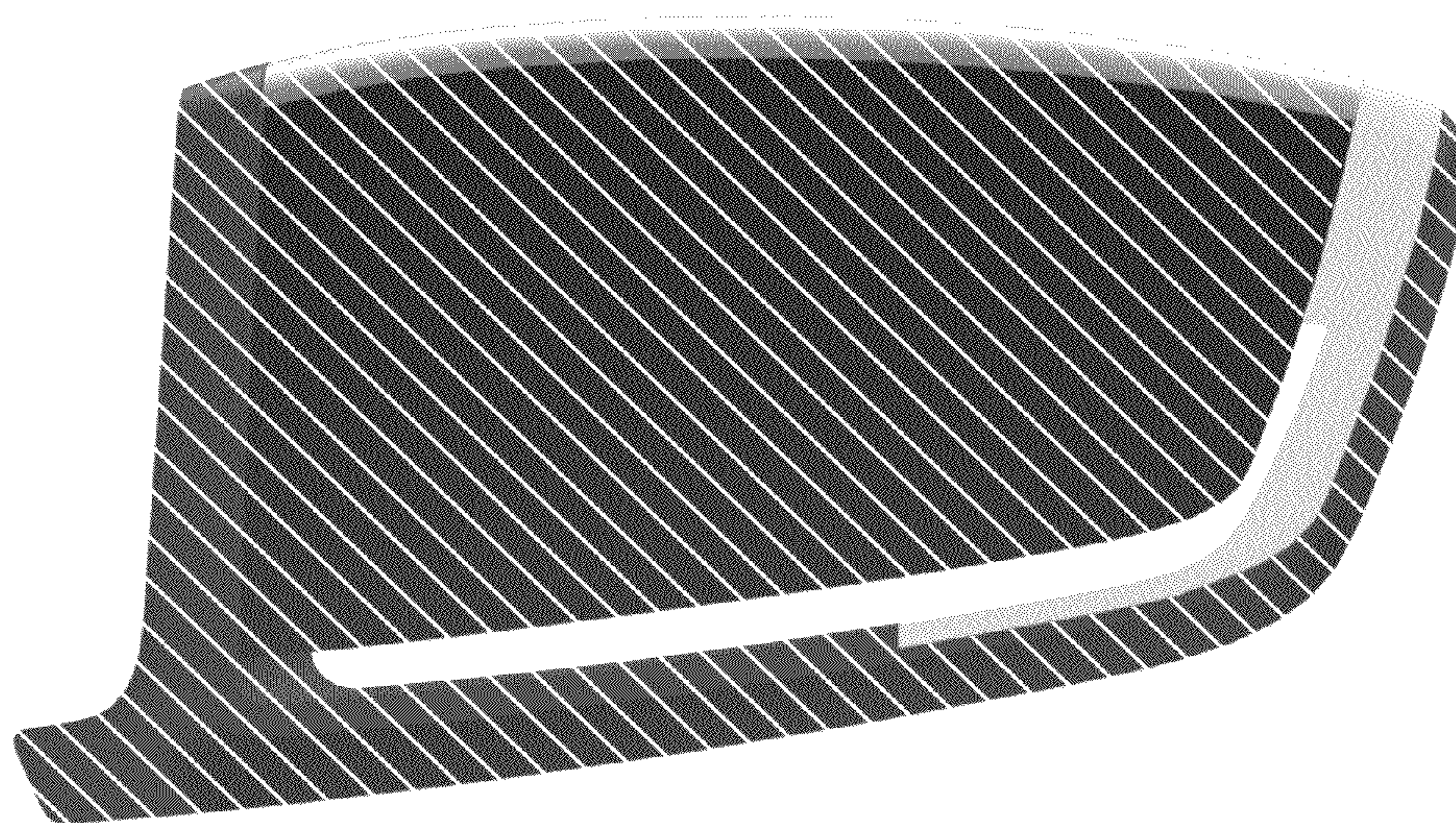


FIG. 4

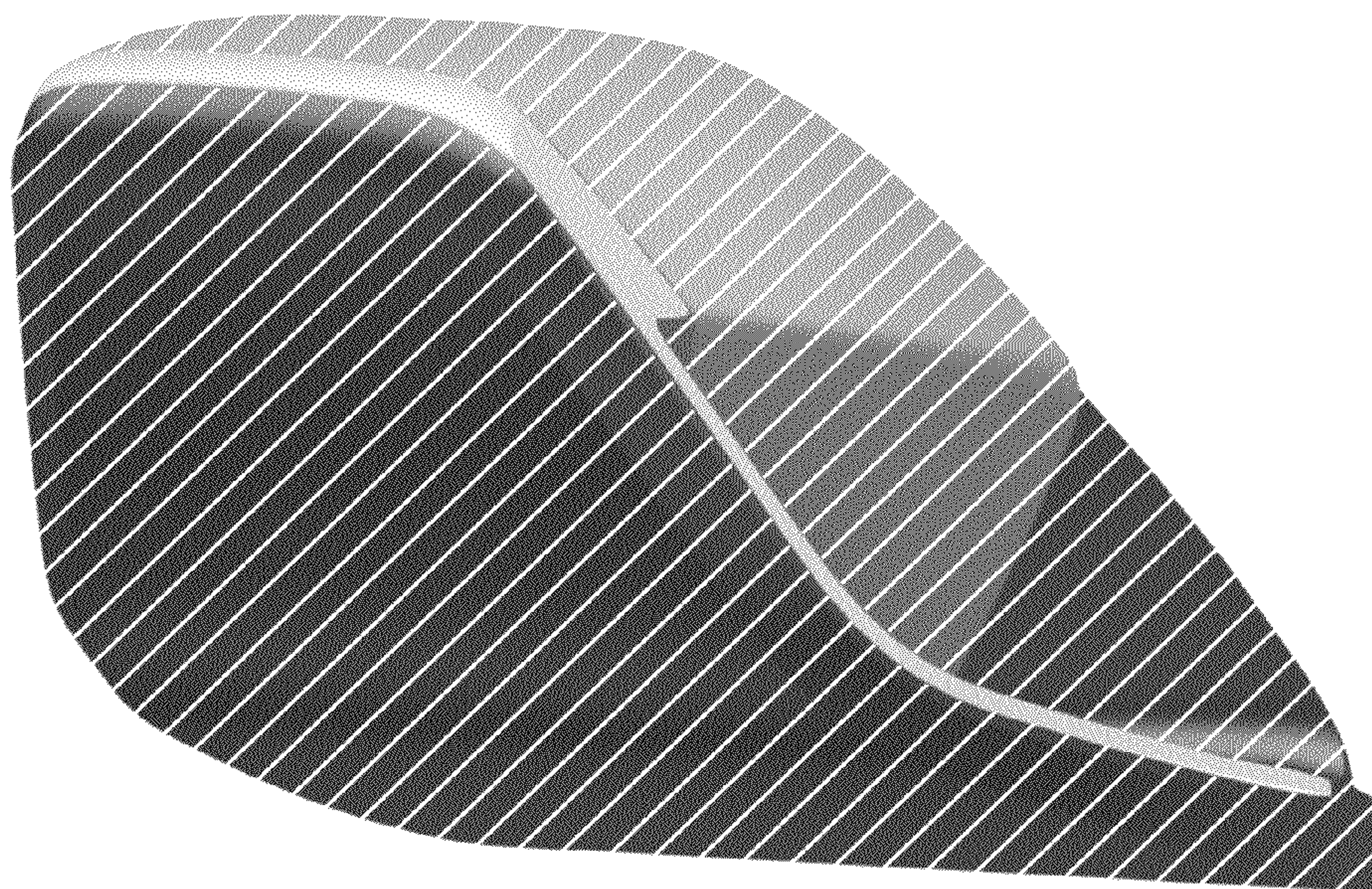


FIG. 5

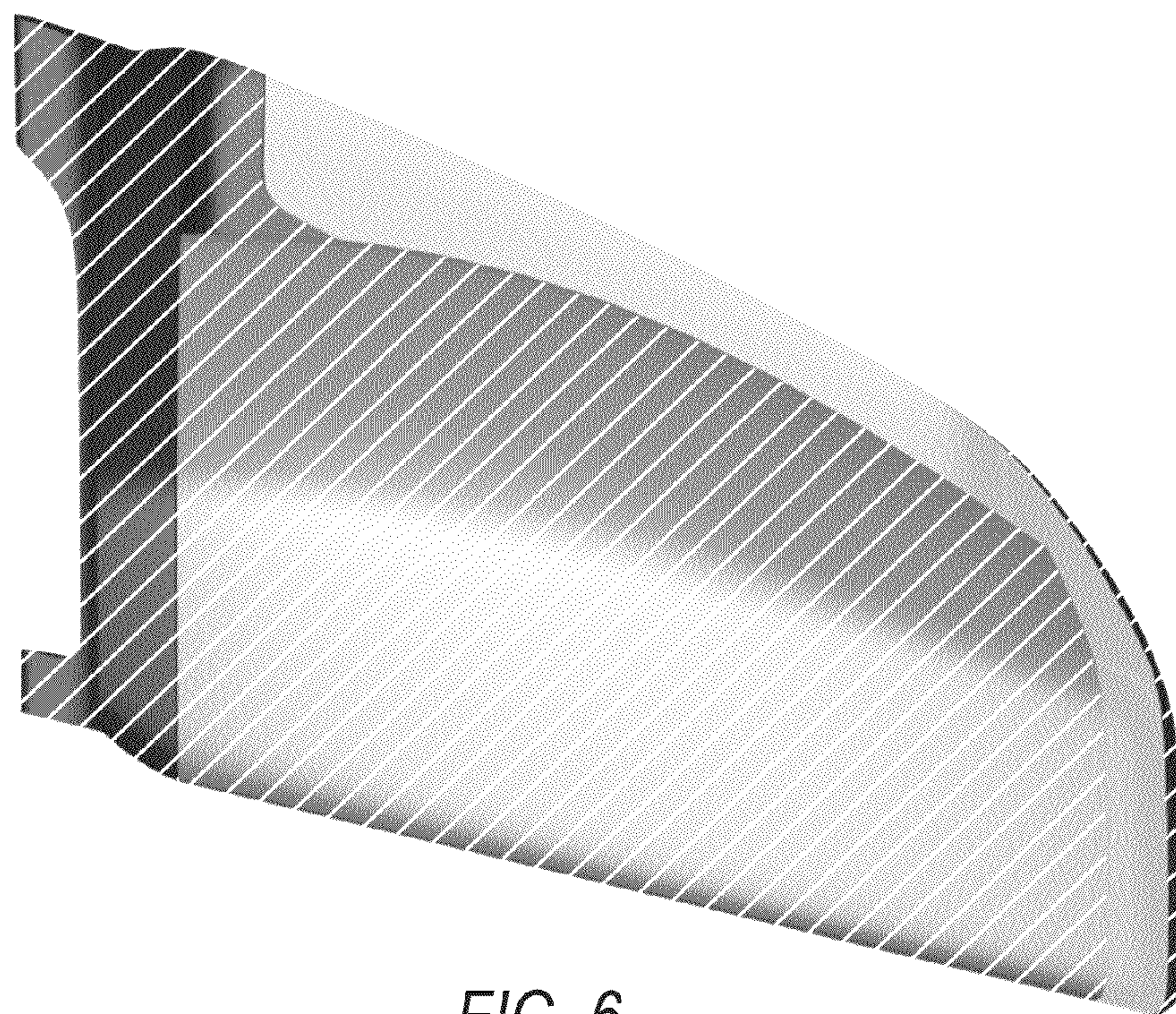


FIG. 6

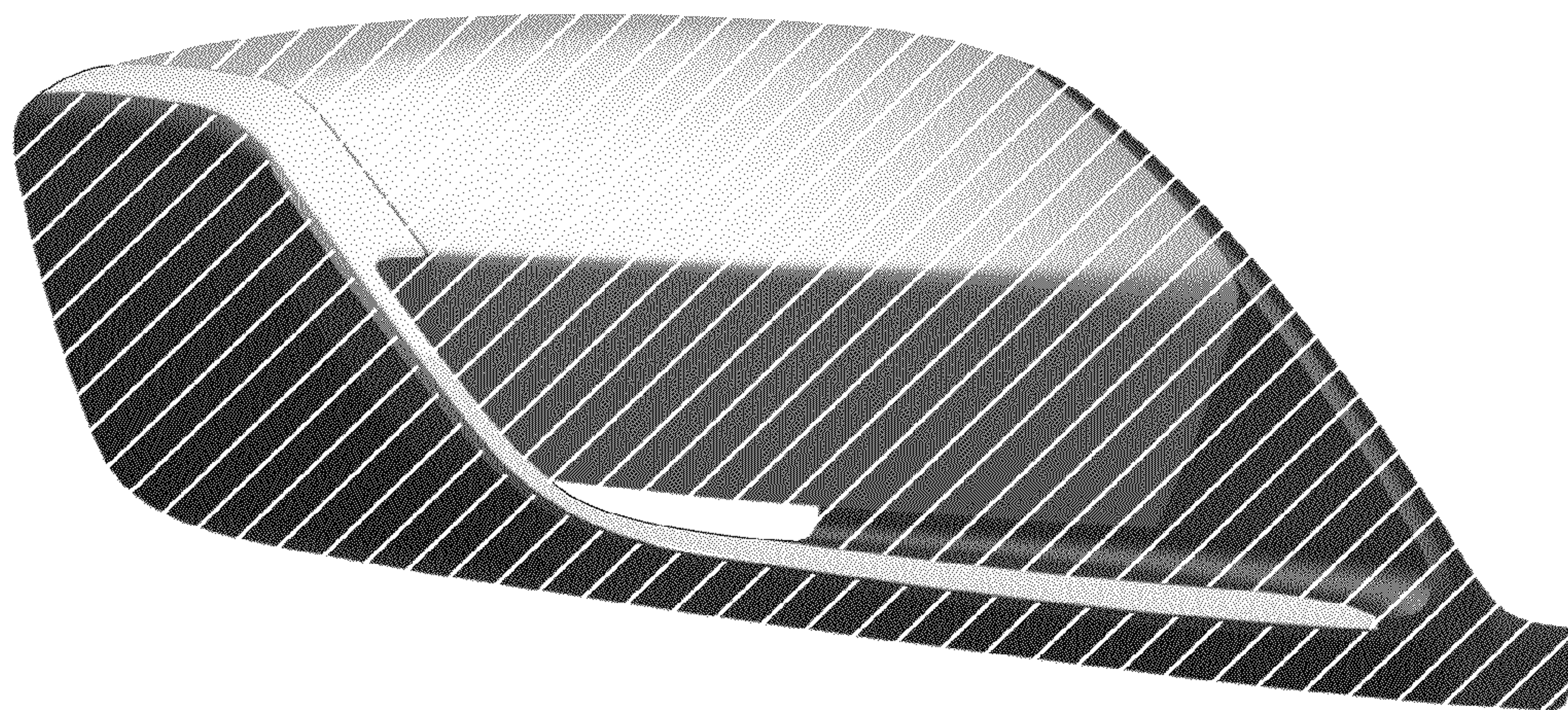


FIG. 7

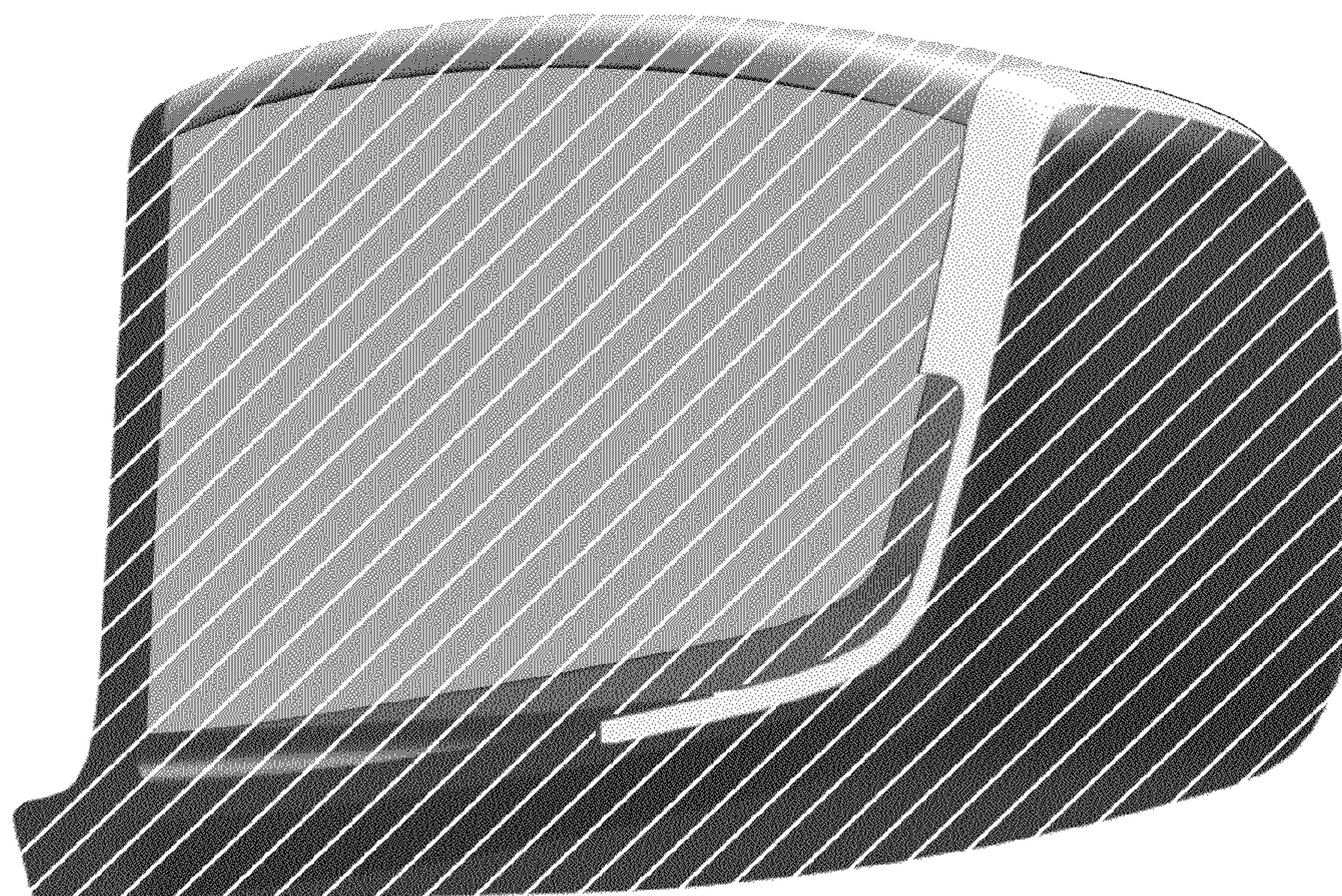


FIG. 8

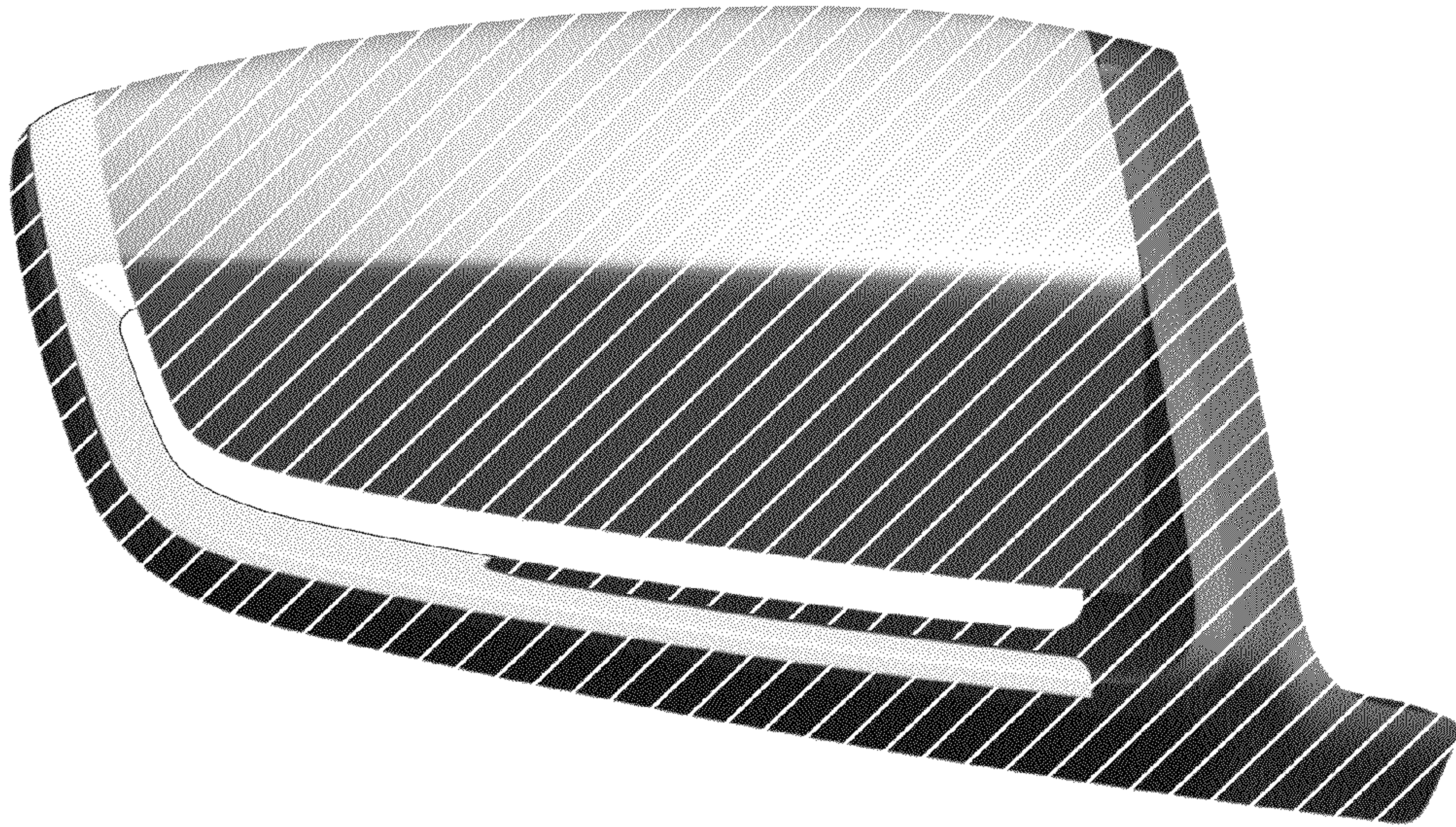


FIG. 9

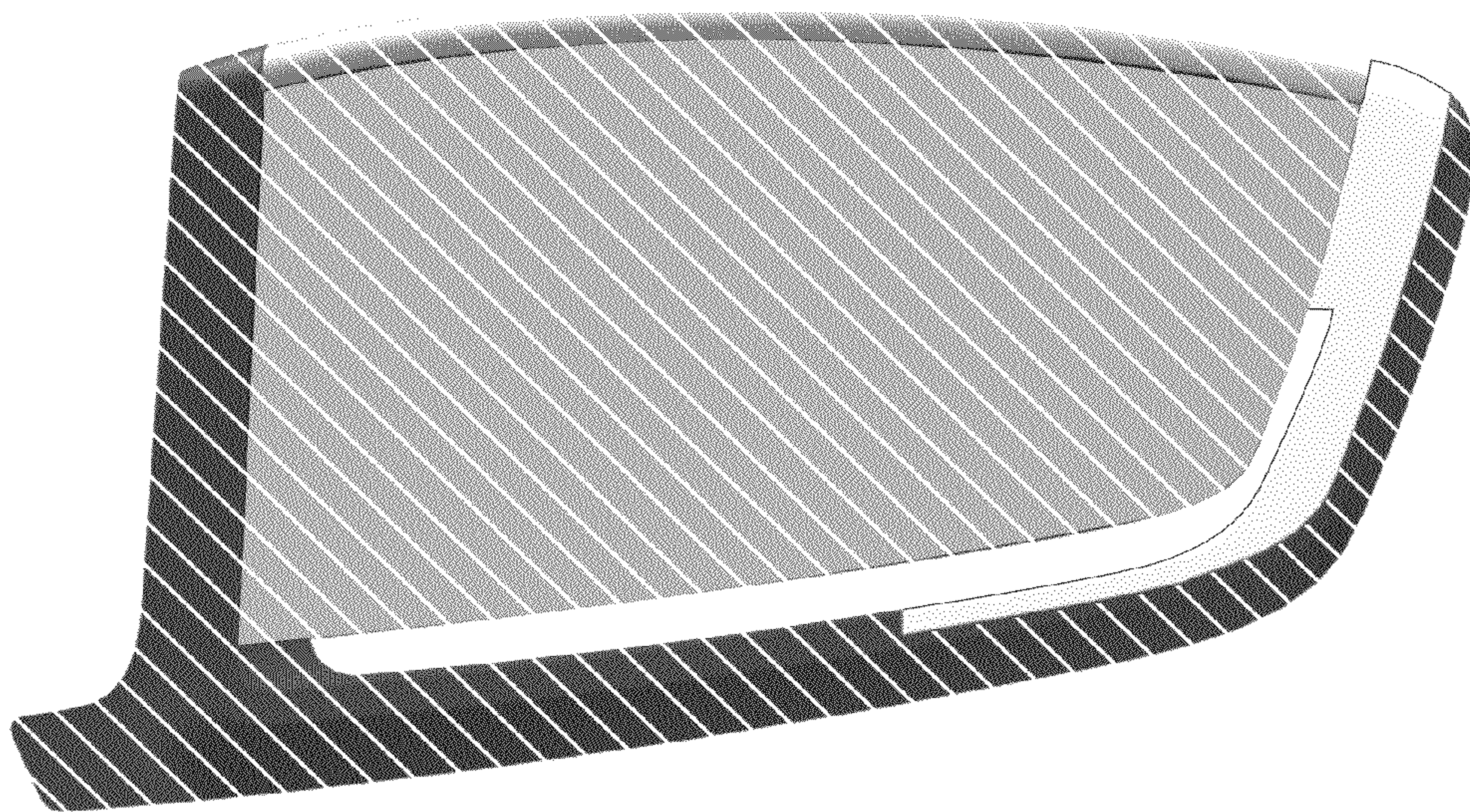


FIG. 10

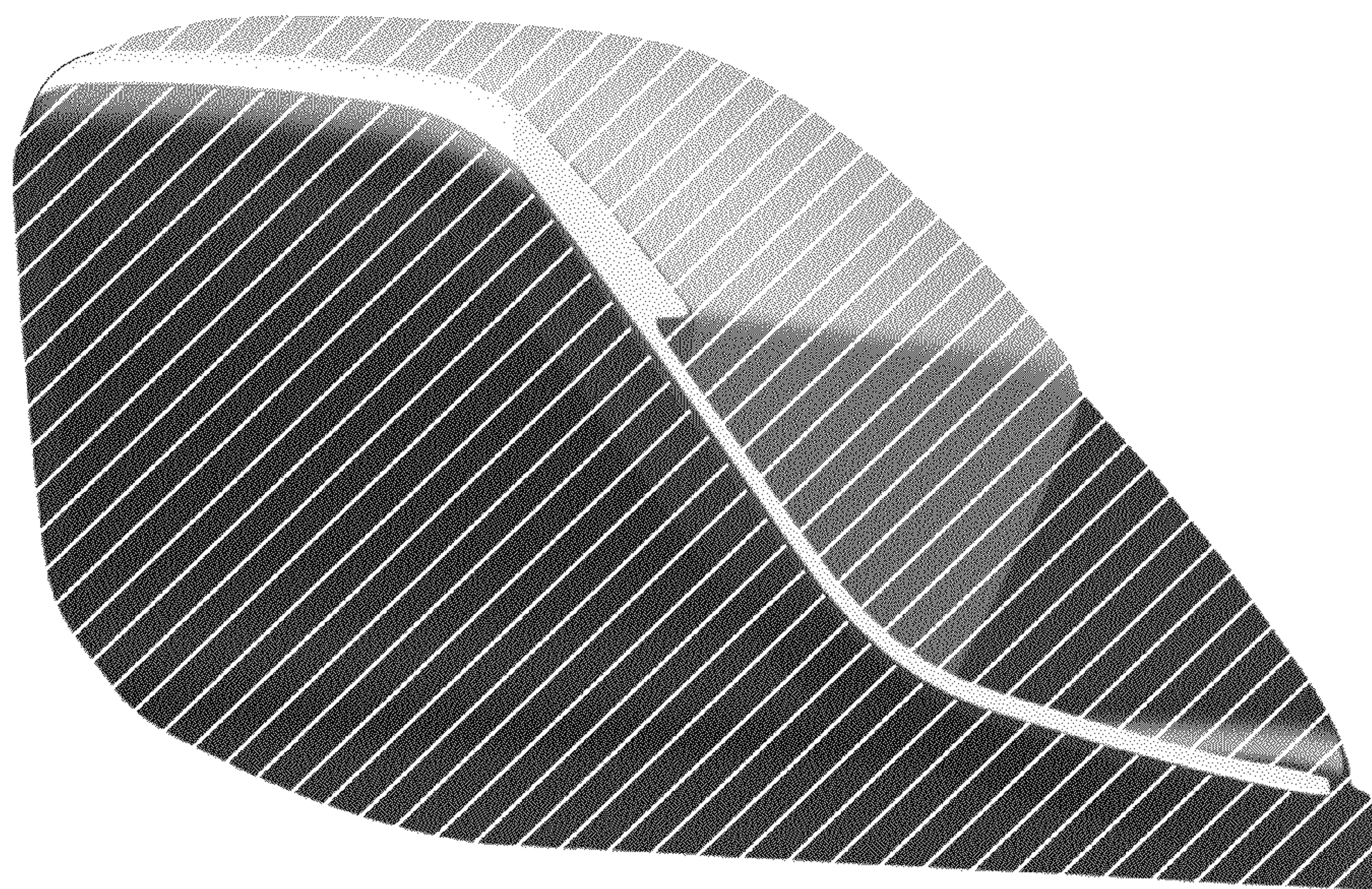


FIG. 11

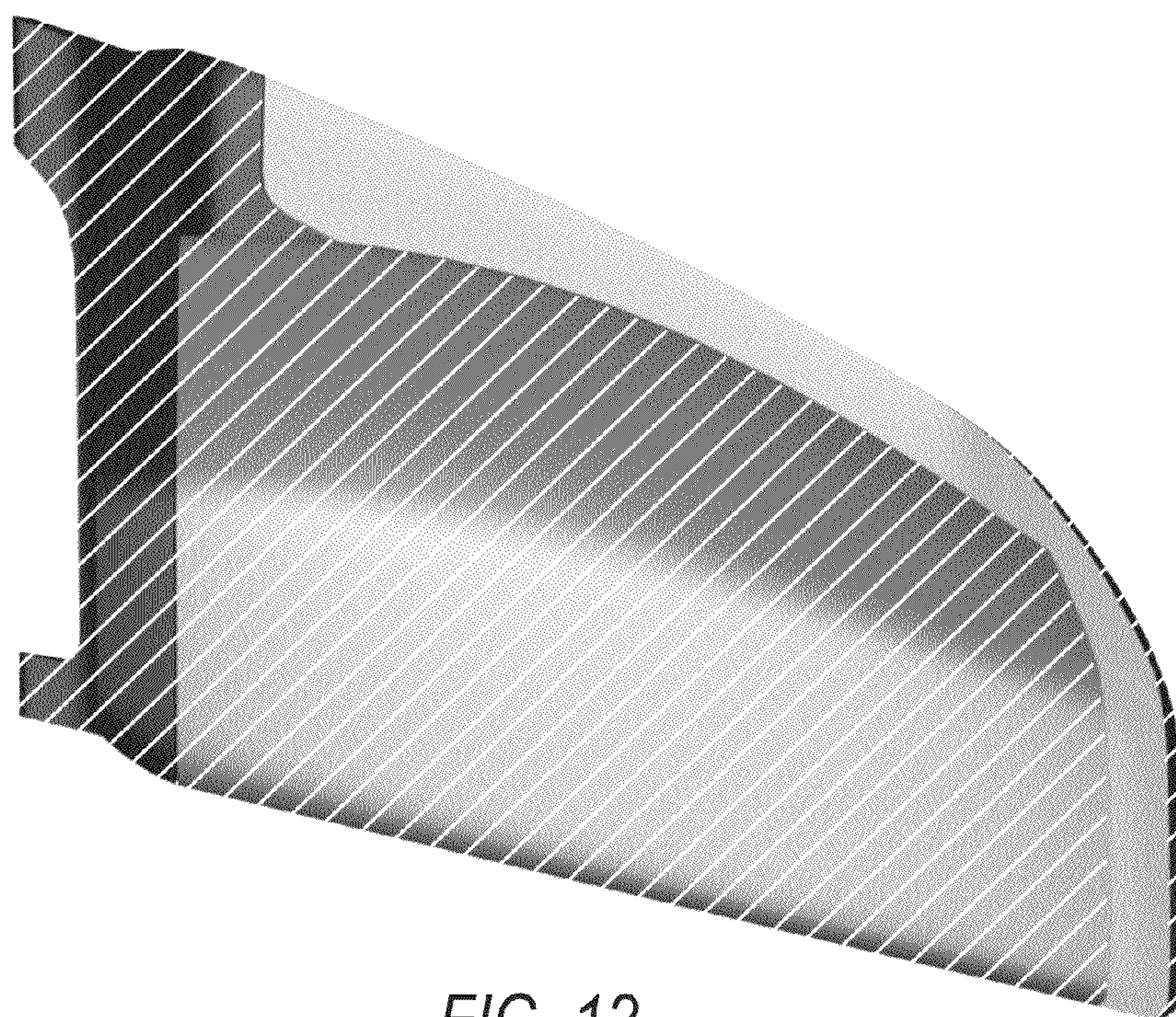


FIG. 12