



US00D739574S

(12) **United States Design Patent**
Park et al.

(10) **Patent No.:** **US D739,574 S**

(45) **Date of Patent:** **** Sep. 22, 2015**

(54) **REAR COMBINATION LAMP FOR AUTOMOBILES**

(71) Applicant: **Hyundai Motor Company**, Seoul (KR)

(72) Inventors: **Sung-Ho Park**, Gyeonggi-Do (KR);
Seung-Tack Hong, Seoul (KR)

(73) Assignee: **Hyundai Motor Company**, Seoul (KR)

(**) Term: **14 Years**

(21) Appl. No.: **29/463,588**

(22) Filed: **Jan. 9, 2014**

(30) **Foreign Application Priority Data**

Jul. 10, 2013 (KR) 30-2013-0035356

(51) **LOC (10) Cl.** **26-06**

(52) **U.S. Cl.**
USPC **D26/28**

(58) **Field of Classification Search**
USPC D26/28-36; 362/459-476, 485-487,
362/543-549

CPC F21S 48/2281; F21S 48/00; F21S 48/225;
F21S 48/2268; F21S 48/1233; F21S 48/1266;
F21S 48/1388; F21V 21/04

See application file for complete search history.

(56) **References Cited**

U.S. PATENT DOCUMENTS

D635,696 S * 4/2011 Jeong et al. D26/28
D635,699 S * 4/2011 Shin et al. D26/28
D637,744 S * 5/2011 Cho et al. D26/28
D637,745 S * 5/2011 Cho et al. D26/28
D655,835 S * 3/2012 Park et al. D26/28

D657,080 S * 4/2012 Choo et al. D26/28
D657,482 S * 4/2012 Kong et al. D26/28
D683,484 S * 5/2013 Lee et al. D26/28
D693,037 S * 11/2013 Jeong et al. D26/28
D700,380 S * 2/2014 Kong et al. D26/28
D705,964 S * 5/2014 Sa et al. D26/28
D714,986 S * 10/2014 Moon et al. D26/28
D715,981 S * 10/2014 Moon et al. D26/28
D720,872 S * 1/2015 Lim et al. D26/28

* cited by examiner

Primary Examiner — Cynthia Ramirez

Assistant Examiner — Llorellys Martinez-Rivera

(74) *Attorney, Agent, or Firm* — Mintz Levin Cohn Ferris
Glovsky and Popeo, P.C.; Kongsik Kim; Carolina E. Säve

(57) **CLAIM**

The ornamental design for a rear combination lamp for automobiles, as shown and described.

DESCRIPTION

FIG. 1 is a perspective view of a rear combination lamp for automobiles according to the present invention.

FIG. 2 is a front view of the rear combination lamp for automobiles of FIG. 1.

FIG. 3 is a rear view of the rear combination lamp for automobiles of FIG. 1.

FIG. 4 is a left side view of the rear combination lamp for automobiles of FIG. 1.

FIG. 5 is a right side view of the rear combination lamp for automobiles of FIG. 1.

FIG. 6 is a top view of the rear combination lamp for automobiles of FIG. 1; and,

FIG. 7 is a bottom view of the rear combination lamp for automobiles of FIG. 1.

1 Claim, 7 Drawing Sheets

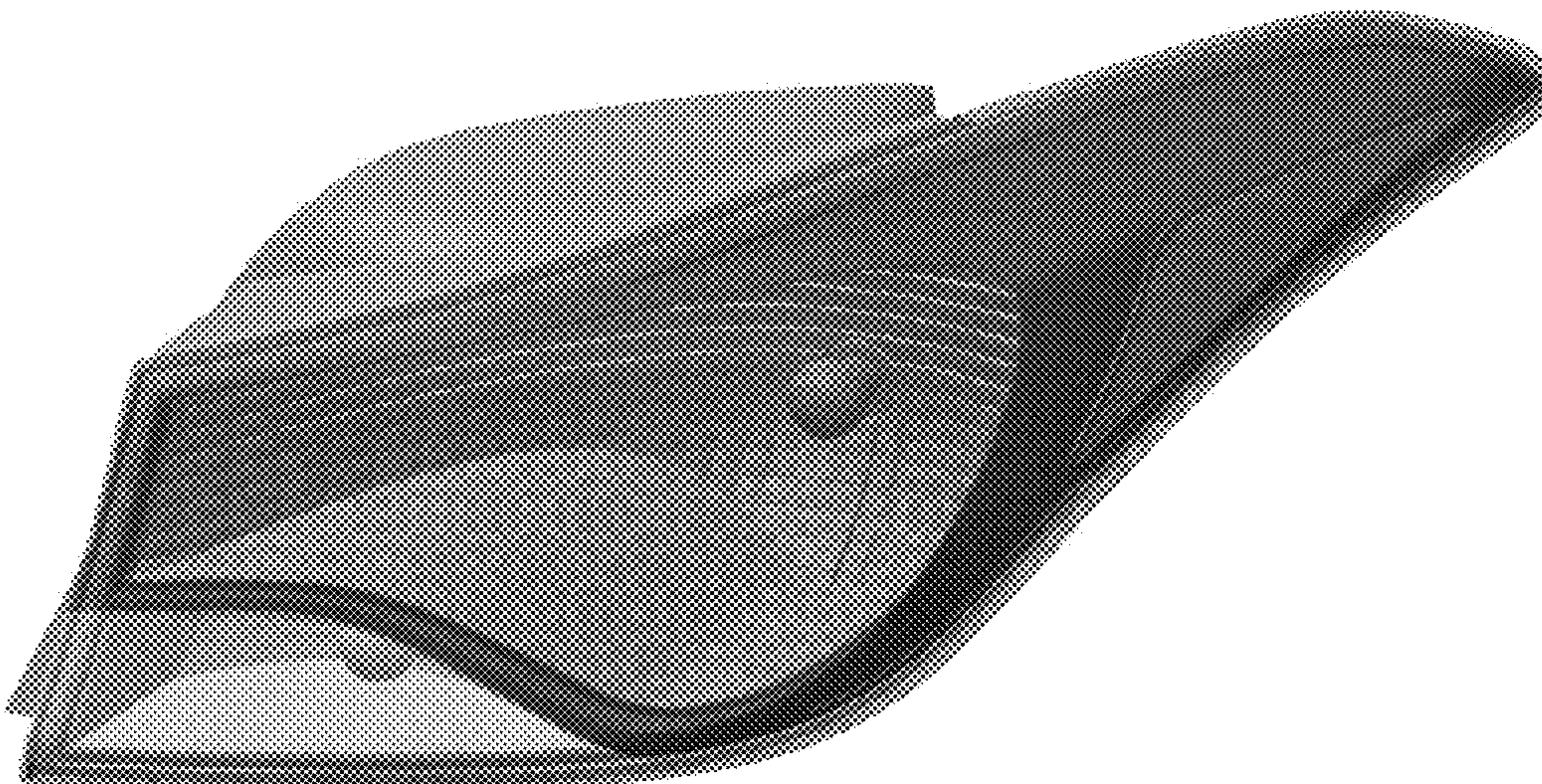


FIG. 1

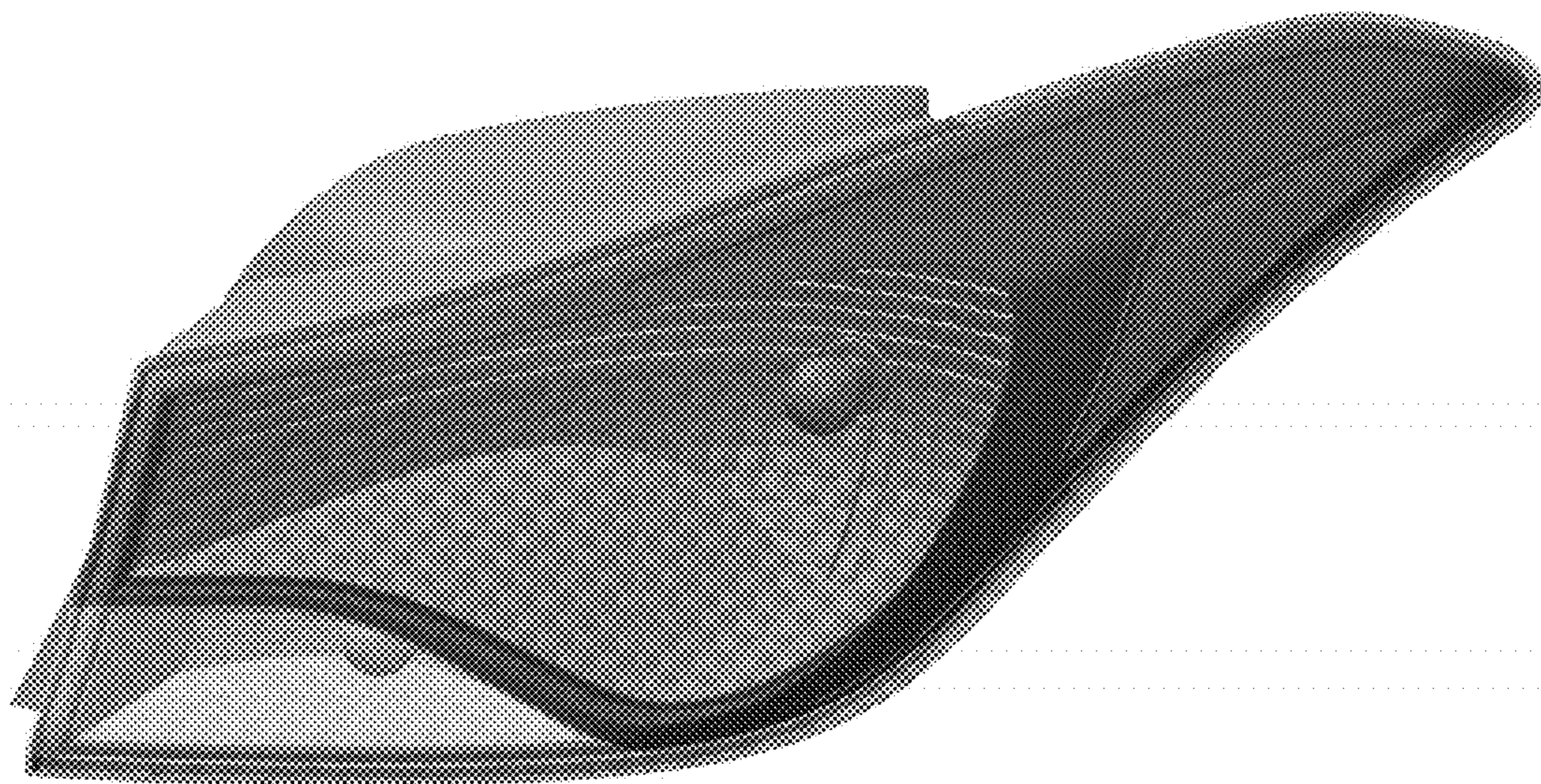


FIG. 2

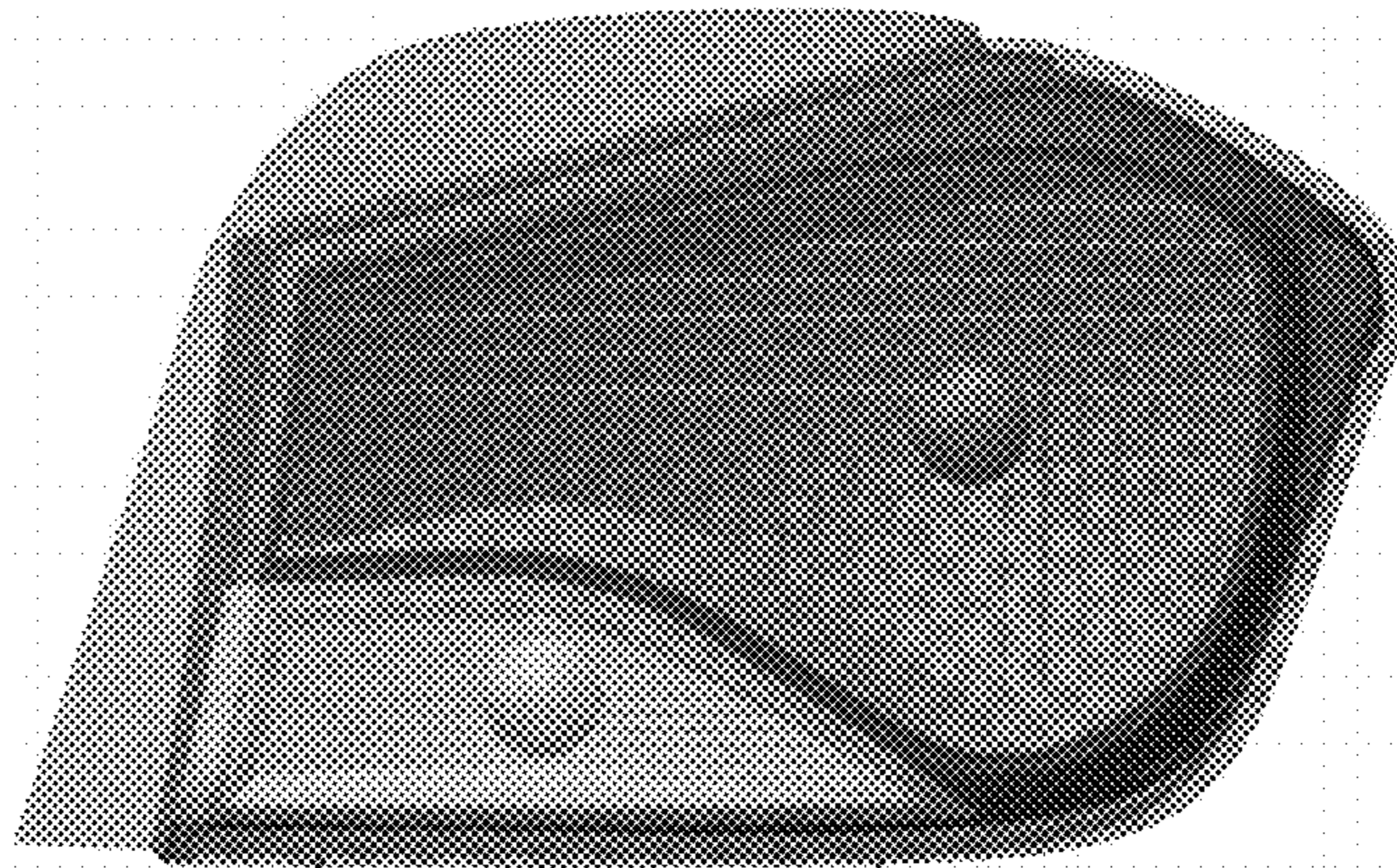


FIG. 3

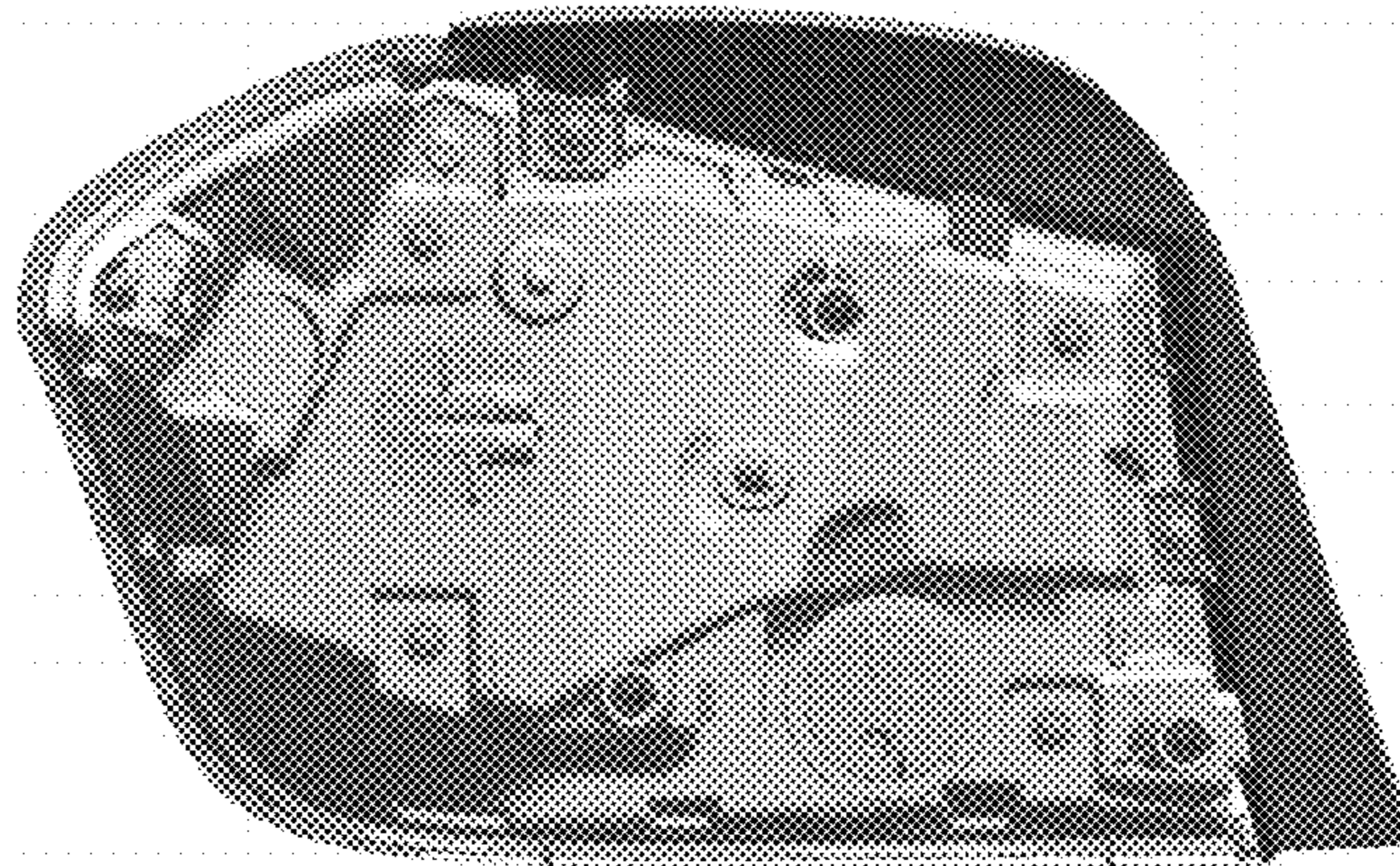


FIG. 4

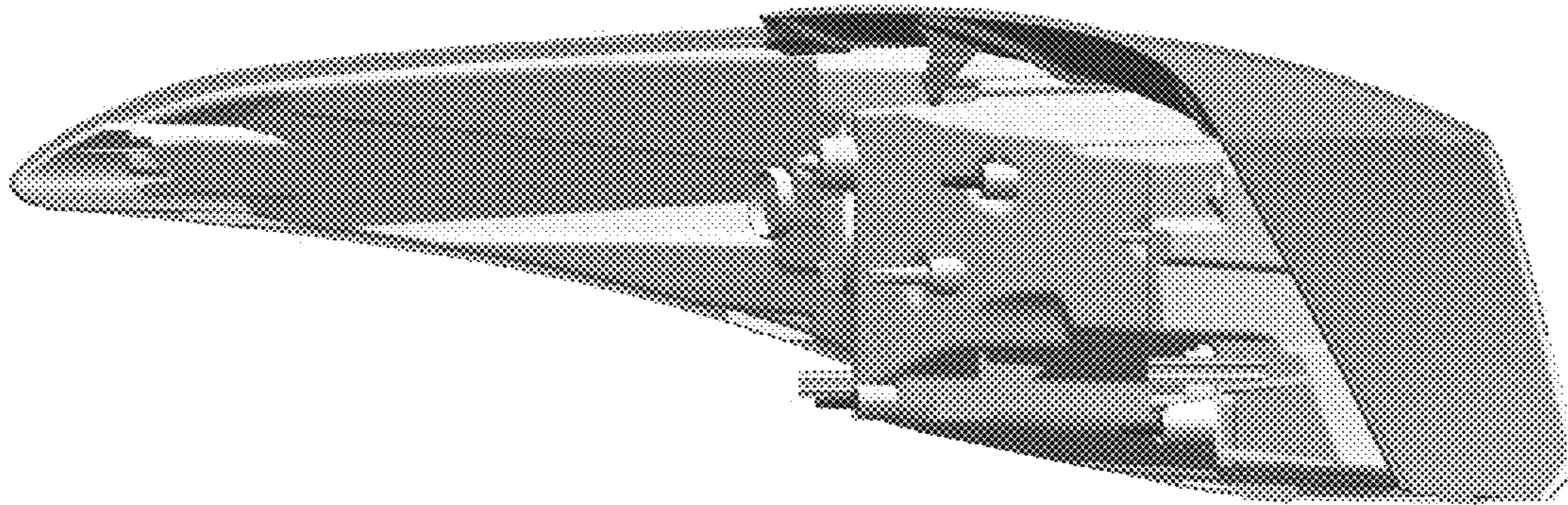


FIG. 5

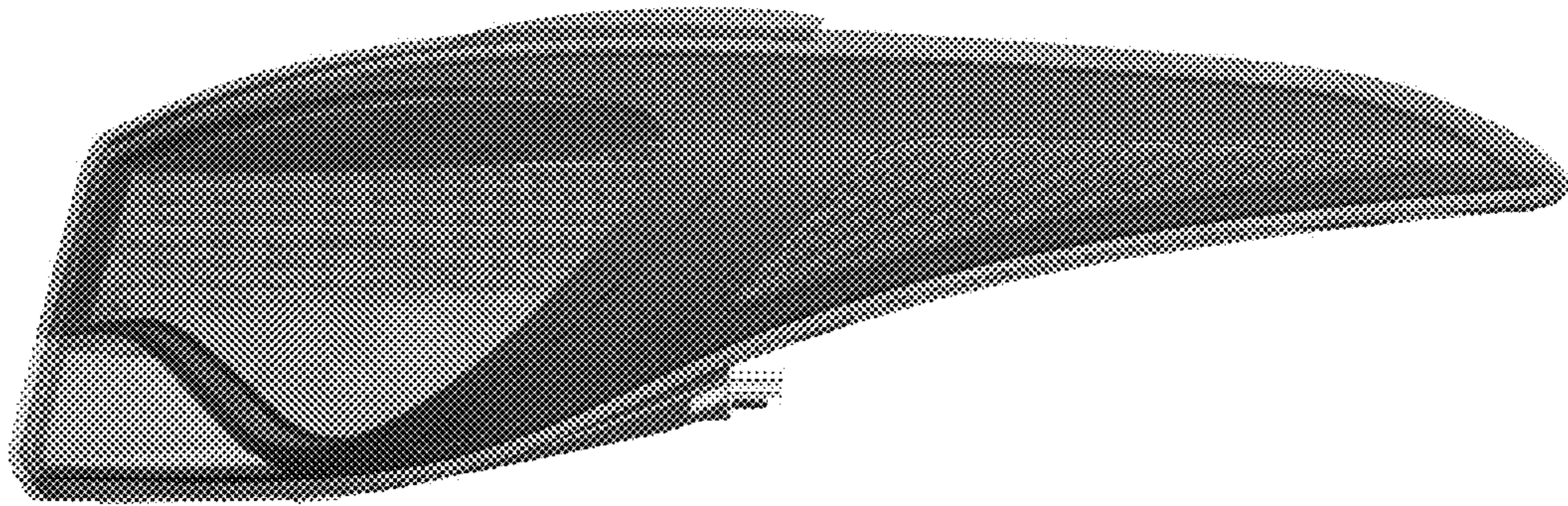


FIG. 6

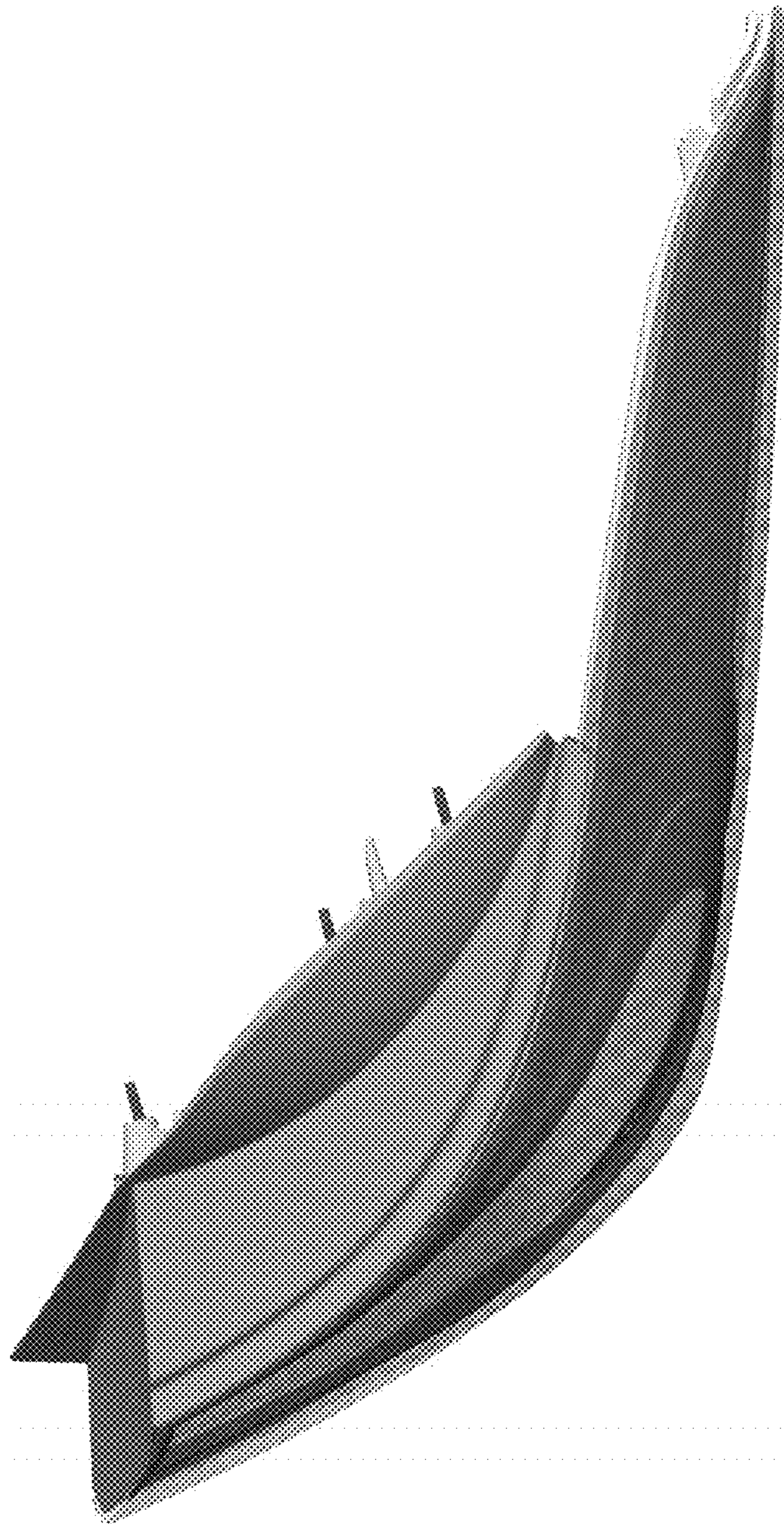


FIG. 7

