



US00D739570S

(12) **United States Design Patent**  
**Shum et al.**

(10) **Patent No.:** **US D739,570 S**  
(45) **Date of Patent:** **\*\* Sep. 22, 2015**

- (54) **LED LAMP**
- (71) Applicant: **SORAA, INC.**, Fremont, CA (US)
- (72) Inventors: **Frank Shum**, Fremont, CA (US);  
**Ronald Randall van Thiel**, Fremont, CA (US)
- (73) Assignee: **Soraa, Inc.**, Fremont, CA (US)
- (\*\*) Term: **14 Years**
- (21) Appl. No.: **29/475,766**
- (22) Filed: **Dec. 6, 2013**
- (51) **LOC (10) Cl.** ..... **26-04**
- (52) **U.S. Cl.**  
USPC ..... **D26/2**
- (58) **Field of Classification Search**  
USPC ..... D26/1-4; 313/313, 315, 316, 317, 318,  
313/493; 315/52, 53, 56, 57, 58  
CPC ..... H01R 5/00; H01R 13/46; H01R 13/514;  
H01R 31/048; H01R 31/02; H01J 5/00;  
H01J 15/00; H01J 1/02; H01J 5/16  
See application file for complete search history.

D566,300 S *	4/2008	Lo	.....	D26/2
D581,555 S *	11/2008	To et al.	.....	D26/2
D584,838 S *	1/2009	To et al.	.....	D26/2
D610,722 S *	2/2010	Bi	.....	D26/2
D677,806 S *	3/2013	Jiang et al.	.....	D26/2

\* cited by examiner

*Primary Examiner* — Marcus Jackson

(74) *Attorney, Agent, or Firm* — Saul Ewing LLP

(57) **CLAIM**

The ornamental design for LED lamp, as shown and described.

**DESCRIPTION**

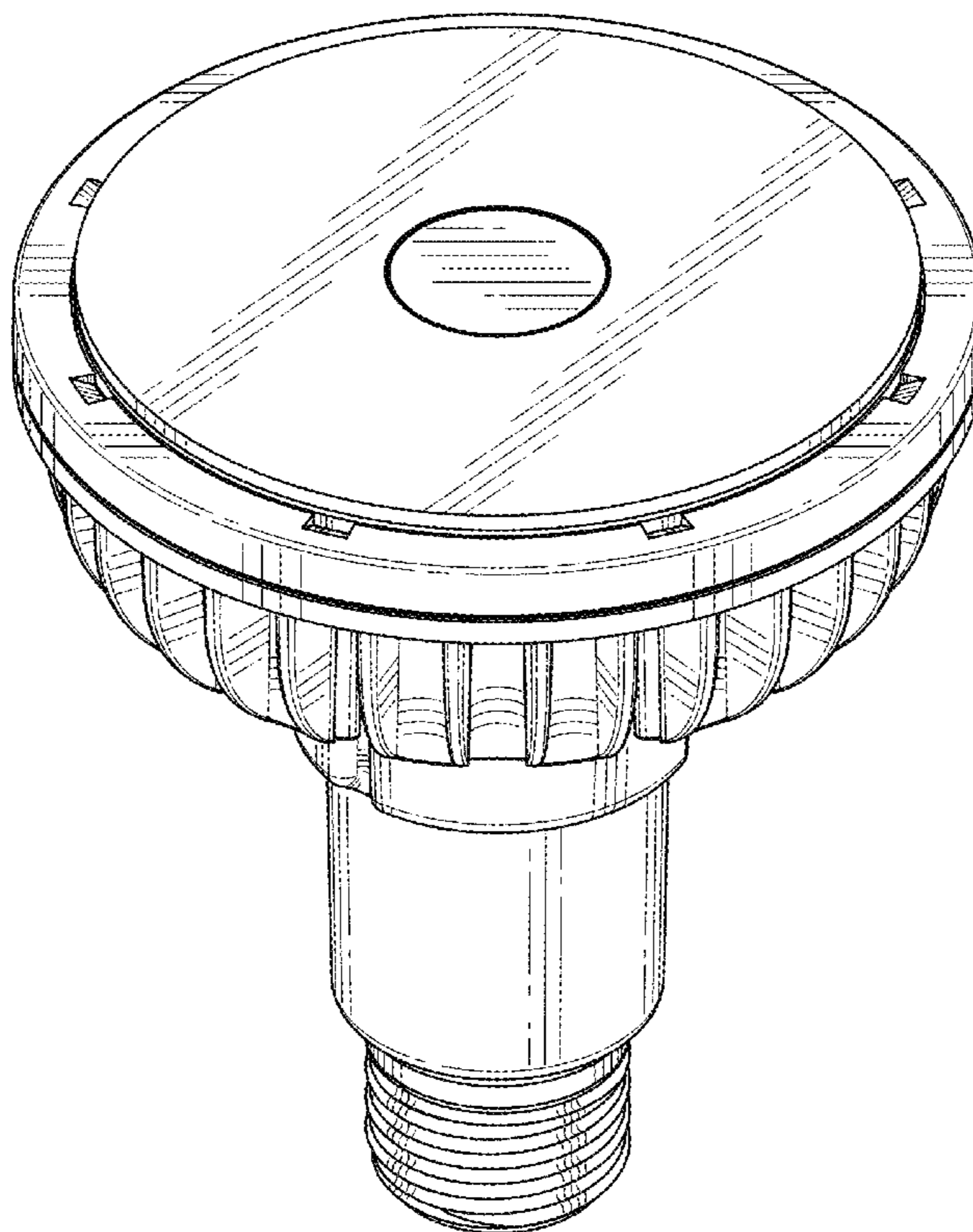
FIG. 1 is a perspective view of an LED lamp showing a first embodiment of our new design;  
 FIG. 2 is a side elevational view from a front side thereof;  
 FIG. 3 is a side elevational view from a rear side thereof;  
 FIG. 4 is a side elevational view from a left side thereof;  
 FIG. 5 is a side elevational view from a right side thereof;  
 FIG. 6 is a top plan view thereof; and,  
 FIG. 7 is a bottom plan view thereof.  
 The broken lines in the figures represent unclaimed subject matter and form no part of the claimed design.

(56) **References Cited**

**U.S. PATENT DOCUMENTS**

D532,532 S *	11/2006	Maxik	.....	D26/2
D544,110 S *	6/2007	Hooker et al.	.....	D26/2

**1 Claim, 7 Drawing Sheets**



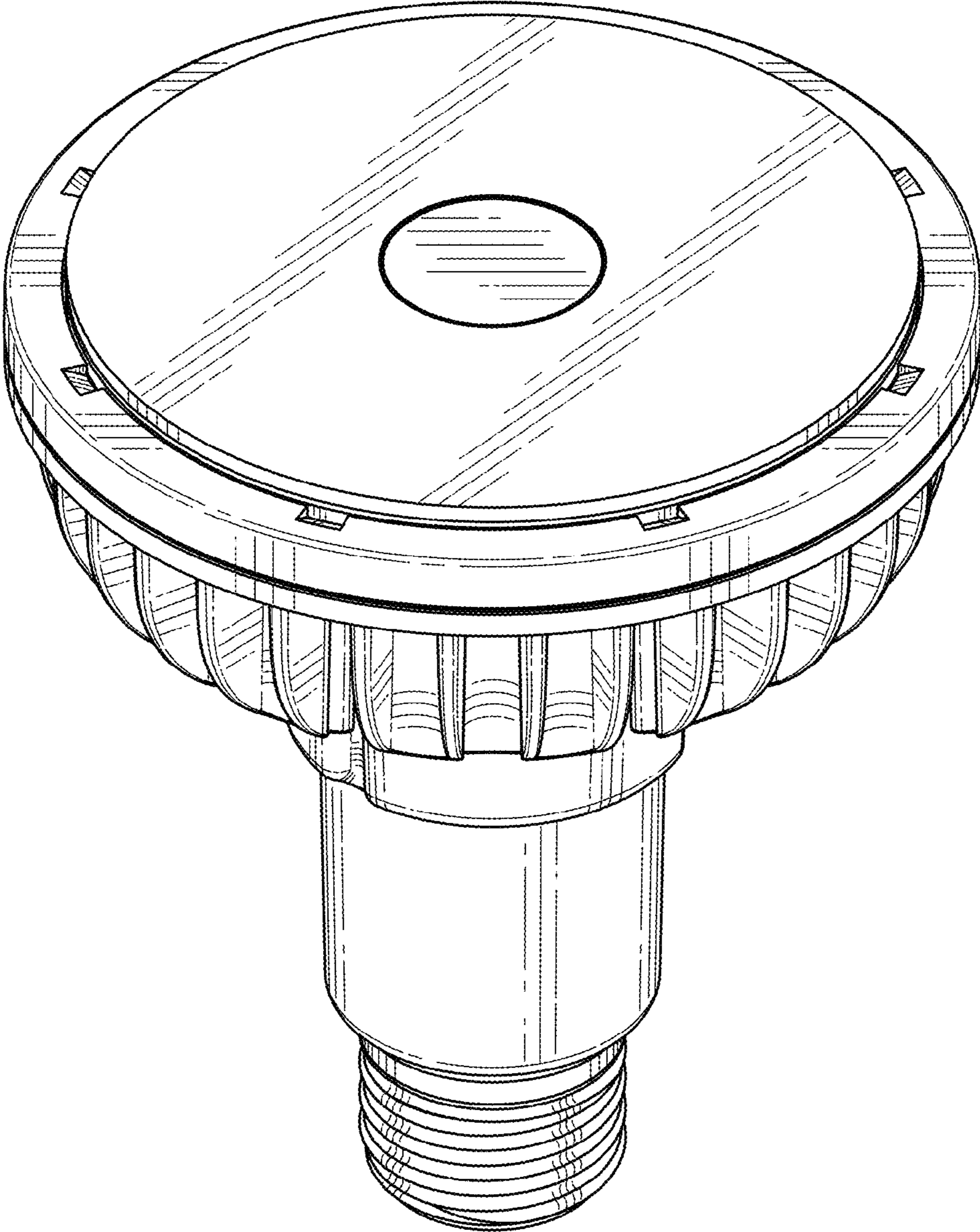


FIG. 1

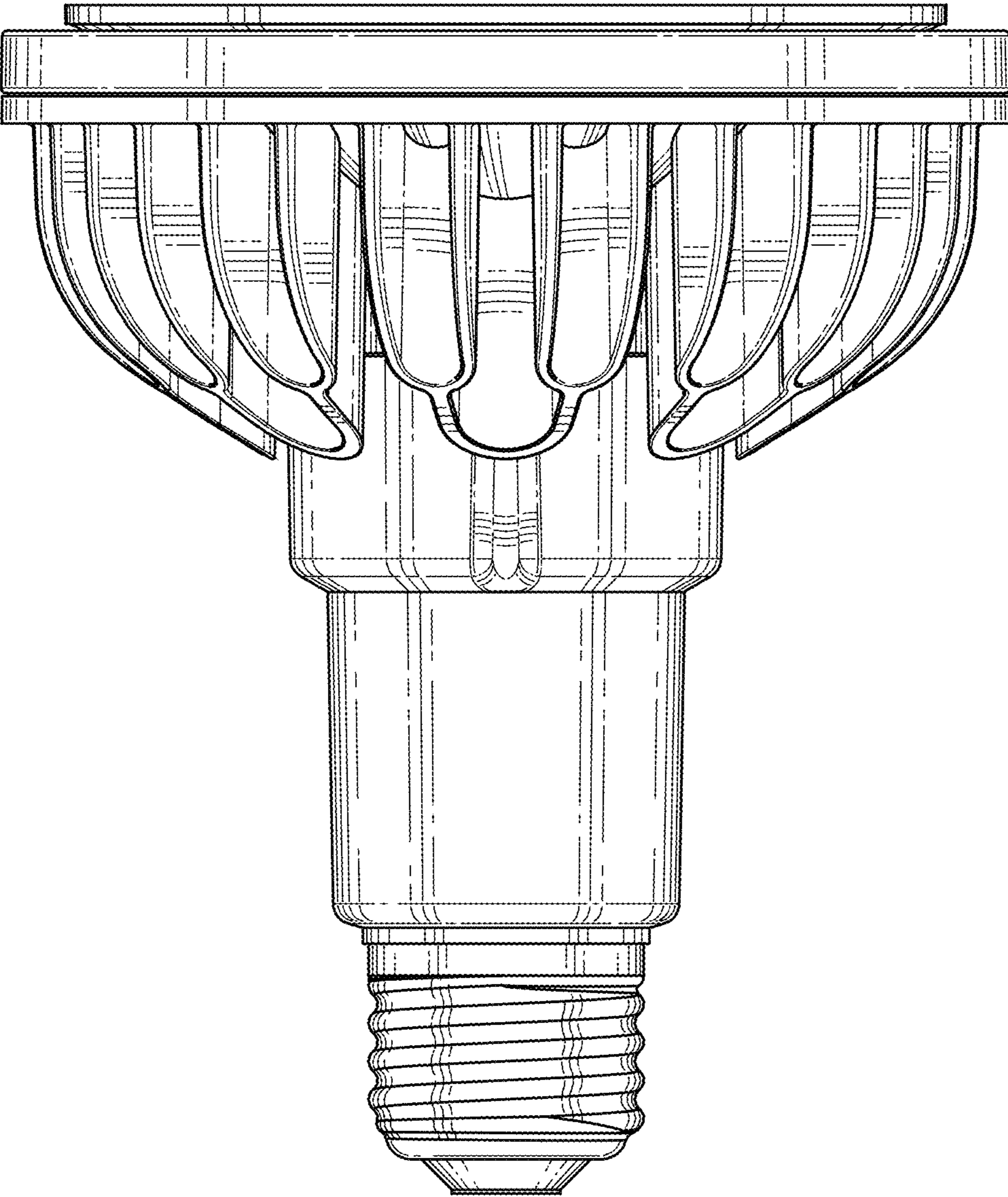


FIG. 2

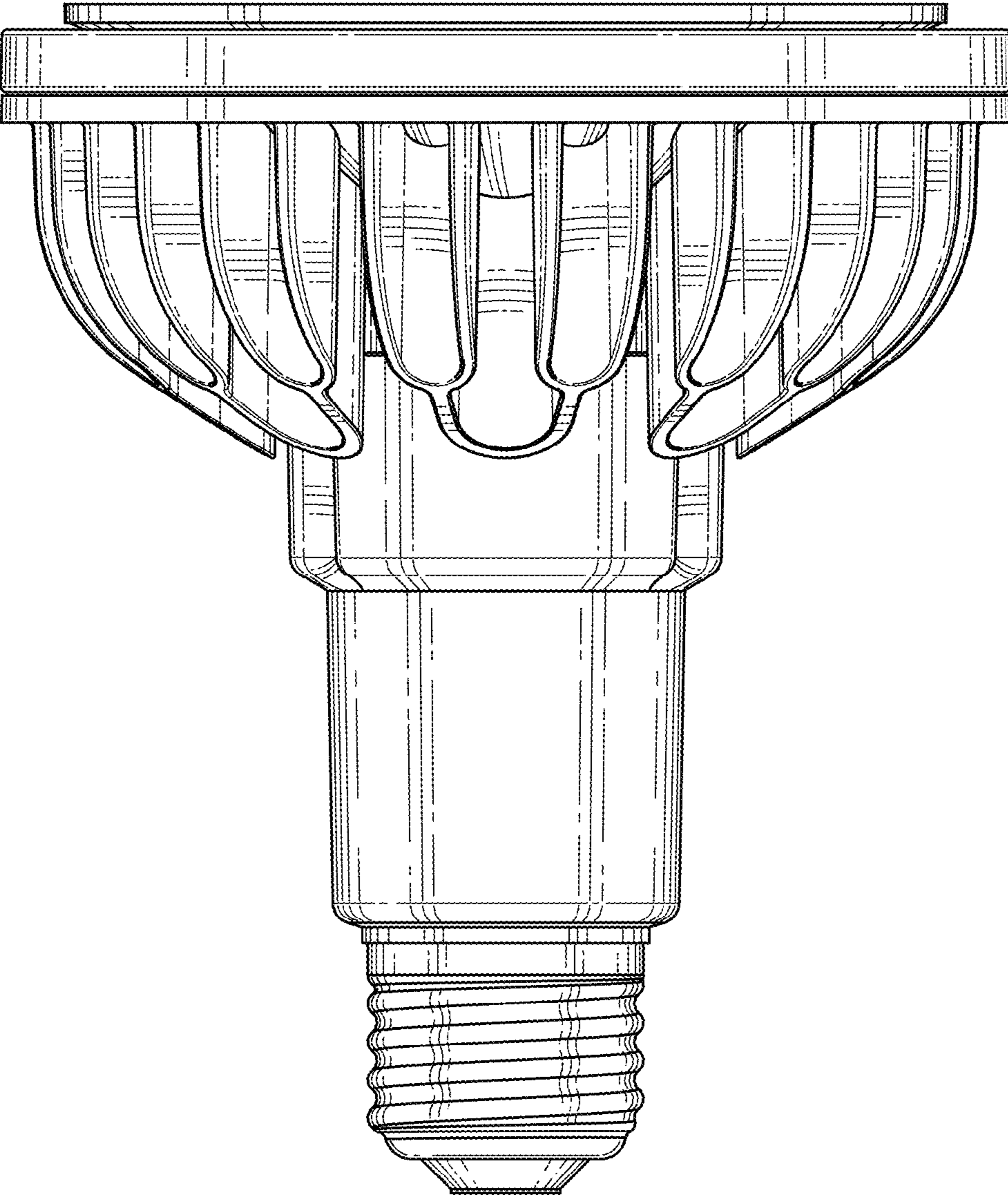


FIG. 3

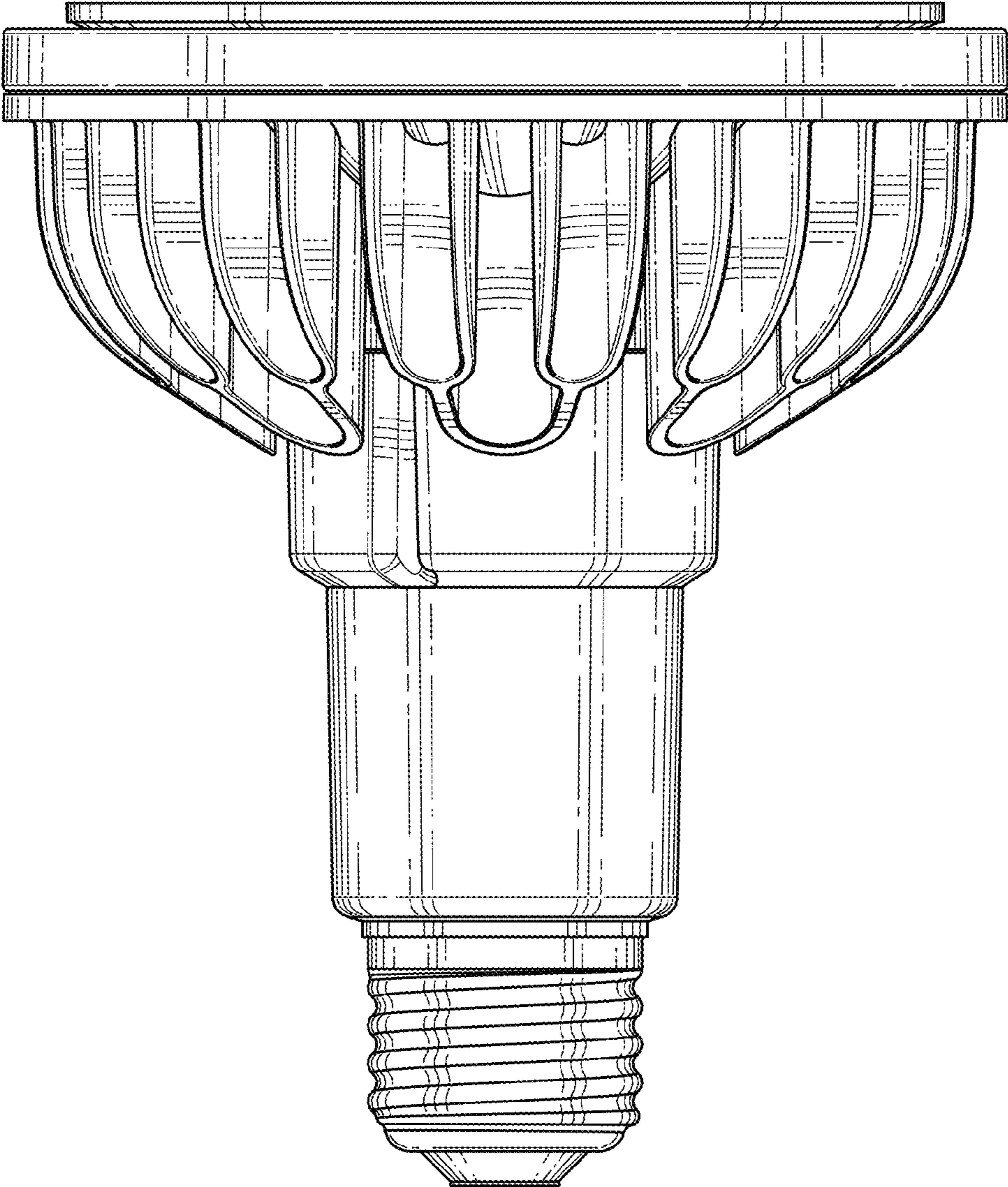


FIG. 4

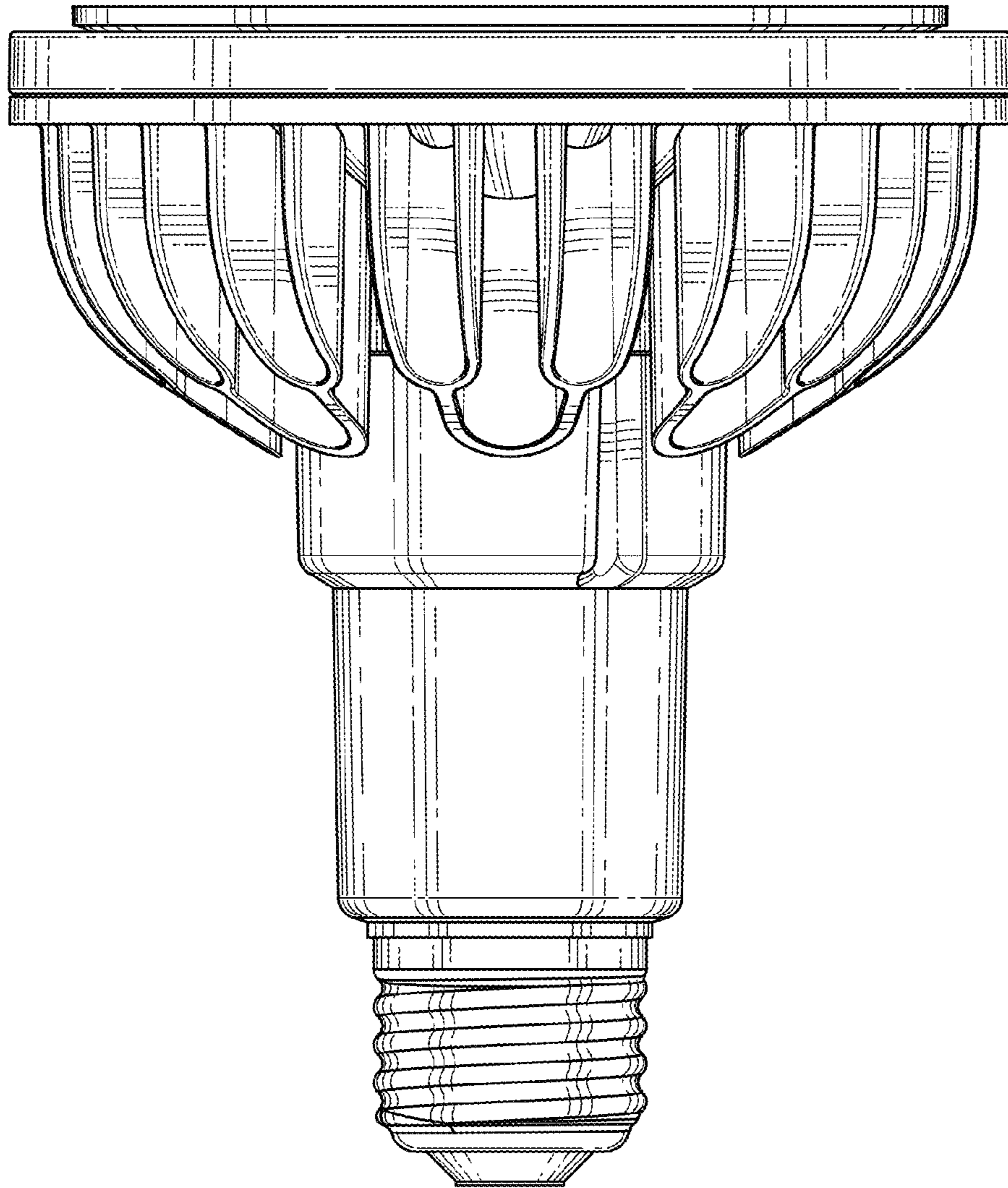


FIG. 5

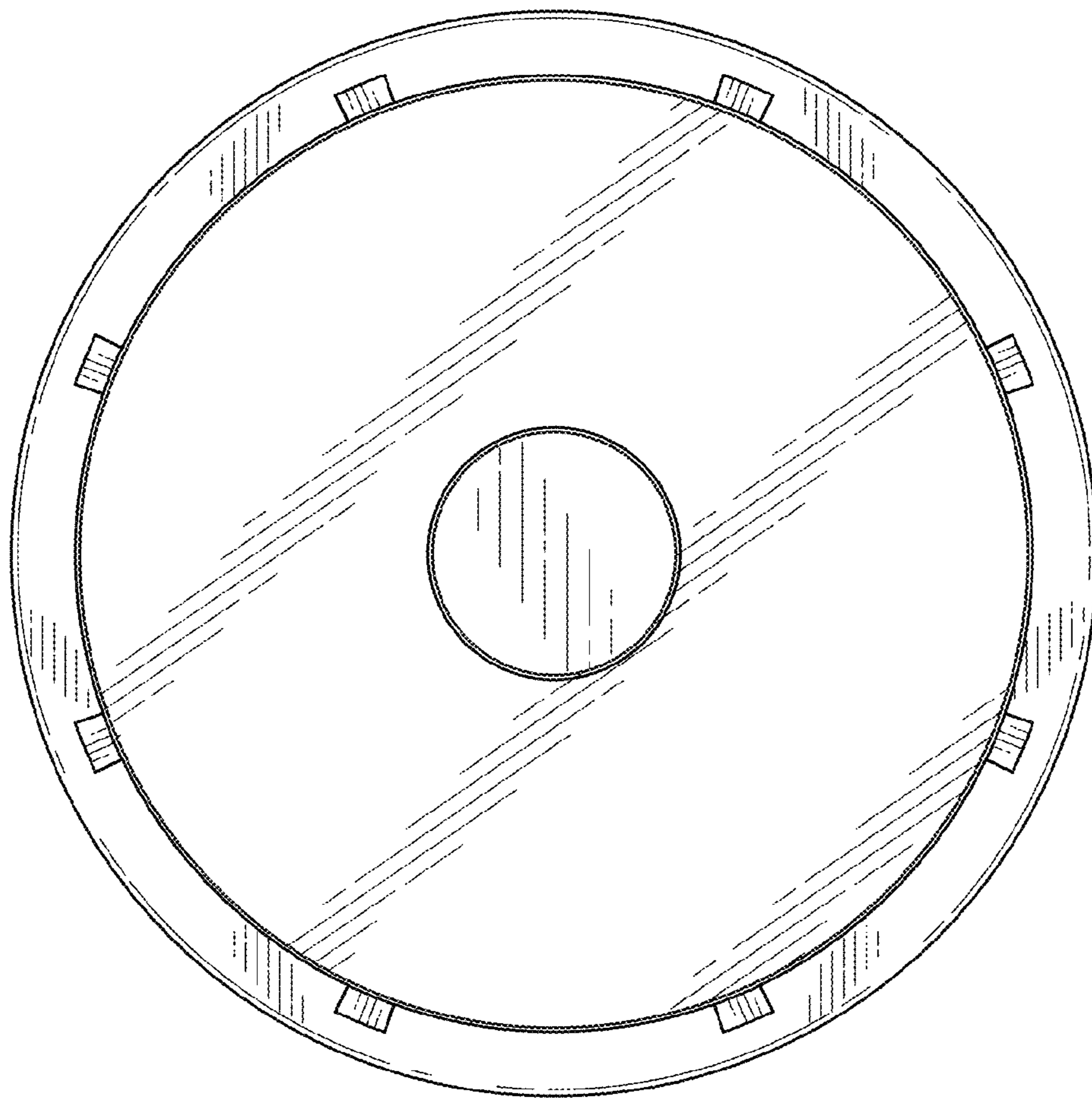


FIG. 6

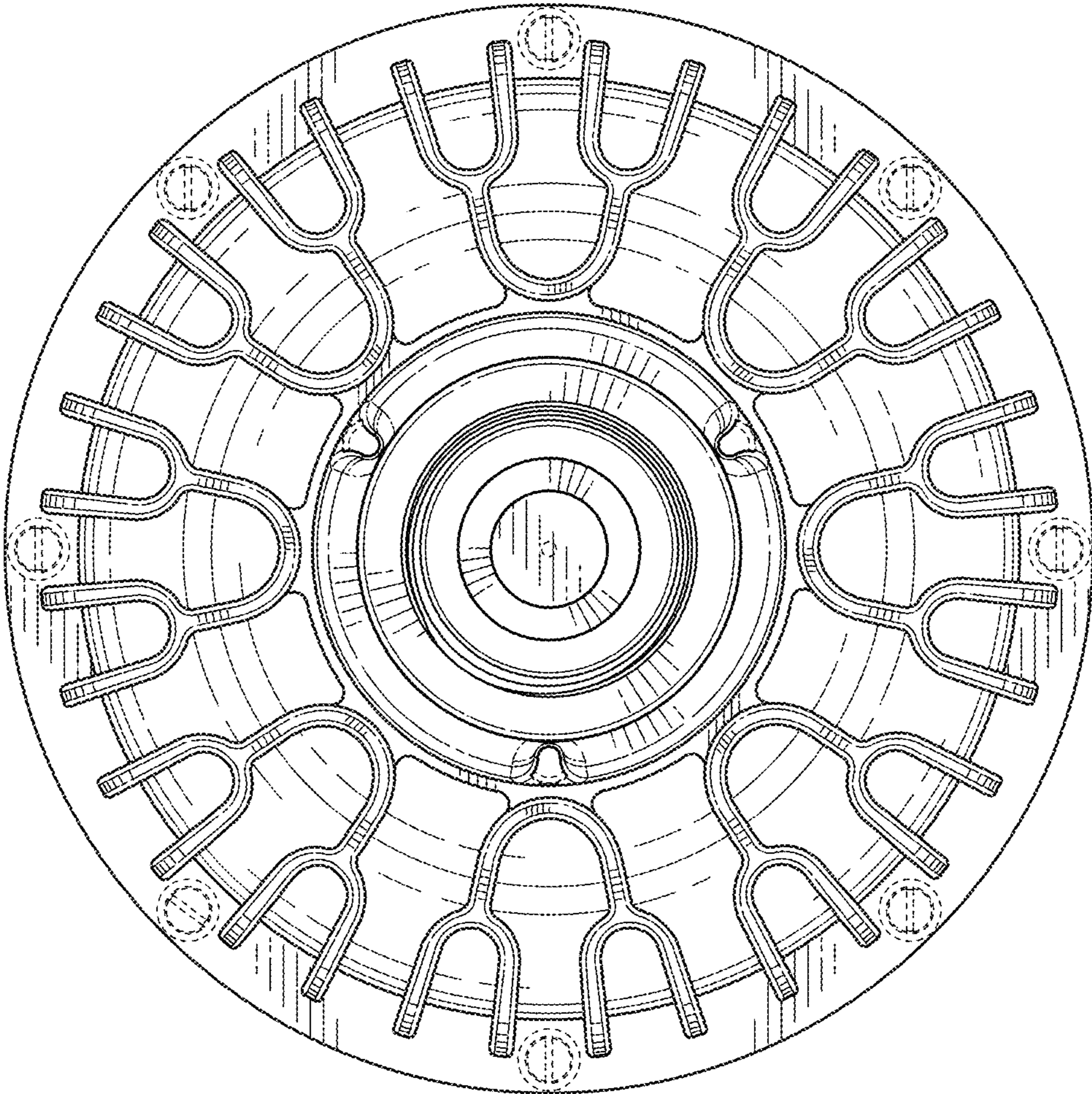


FIG. 7