



US00D739567S

(12) **United States Design Patent**
Howard et al.

(10) **Patent No.:** **US D739,567 S**
(45) **Date of Patent:** **** Sep. 22, 2015**

- (54) **LED LIGHT BULB WITH DOMED LED**
- (71) Applicant: **Mary Elle Fashions, Inc.**, Maryland Heights, MO (US)
- (72) Inventors: **Kenneth A. Howard**, Creve Coeur, MO (US); **James J. Riley**, St. Louis, MO (US); **Gavin Perry**, Webster Groves, MO (US); **Matthew S. Smith**, St. Charles, MO (US)
- (73) Assignee: **Mary Elle Fashions, Inc.**, St. Louis, MO (US)
- (**) Term: **14 Years**
- (21) Appl. No.: **29/465,694**
- (22) Filed: **Aug. 30, 2013**
- (51) **LOC (10) Cl.** **26-04**
- (52) **U.S. Cl.**
USPC **D26/2**
- (58) **Field of Classification Search**
USPC D26/1-4; 313/313, 315, 316, 317, 318, 313/493; 315/52, 53, 56, 57, 58
See application file for complete search history.

D481,140 S	10/2003	Chang	
D487,596 S	3/2004	Callahan	
D501,262 S	1/2005	Kling et al.	
D504,732 S	5/2005	Yang	
D537,174 S	2/2007	Osawa et al.	
D543,288 S *	5/2007	Bembridge	D26/2
D544,109 S *	6/2007	Tsuruha et al.	D26/2
D558,904 S	1/2008	Tsuruha et al.	
D579,130 S	10/2008	Hernandez, Jr. et al.	
D600,368 S	9/2009	Bertram et al.	
D610,272 S	2/2010	Guo et al.	
D653,364 S	1/2012	Howard et al.	

* cited by examiner

Primary Examiner — Marcus Jackson

(74) *Attorney, Agent, or Firm* — Senniger Powers LLP

(57) **CLAIM**

The ornamental design for an LED light bulb with domed LED, as shown and described.

DESCRIPTION

FIG. 1 is a perspective of a third embodiment of the LED light bulb with domed LED wherein the LED may be in the form of a multi-junction technology LED;
 FIG. 2 is a rear elevation of the third embodiment;
 FIG. 3 is an elevation showing the left side of the third embodiment;
 FIG. 4 is an elevation showing the right side of the third embodiment;
 FIG. 5 is a front elevation of the third embodiment;
 FIG. 6 is a top plan of the third embodiment; and,
 FIG. 7 is a bottom plan of the third embodiment.
 The broken lines shown in the drawings indicate structure and features which form no part of the claimed design.

1 Claim, 7 Drawing Sheets

(56) **References Cited**

U.S. PATENT DOCUMENTS

D425,217 S	5/2000	Oetken et al.	
D437,645 S *	2/2001	Sung et al.	D26/2
D456,913 S *	5/2002	Liu	D26/2
D459,496 S	6/2002	Lin	
D469,548 S *	1/2003	Bobel	D26/2
D471,293 S *	3/2003	Bobel	D26/2
D471,996 S *	3/2003	Kuen	D26/4

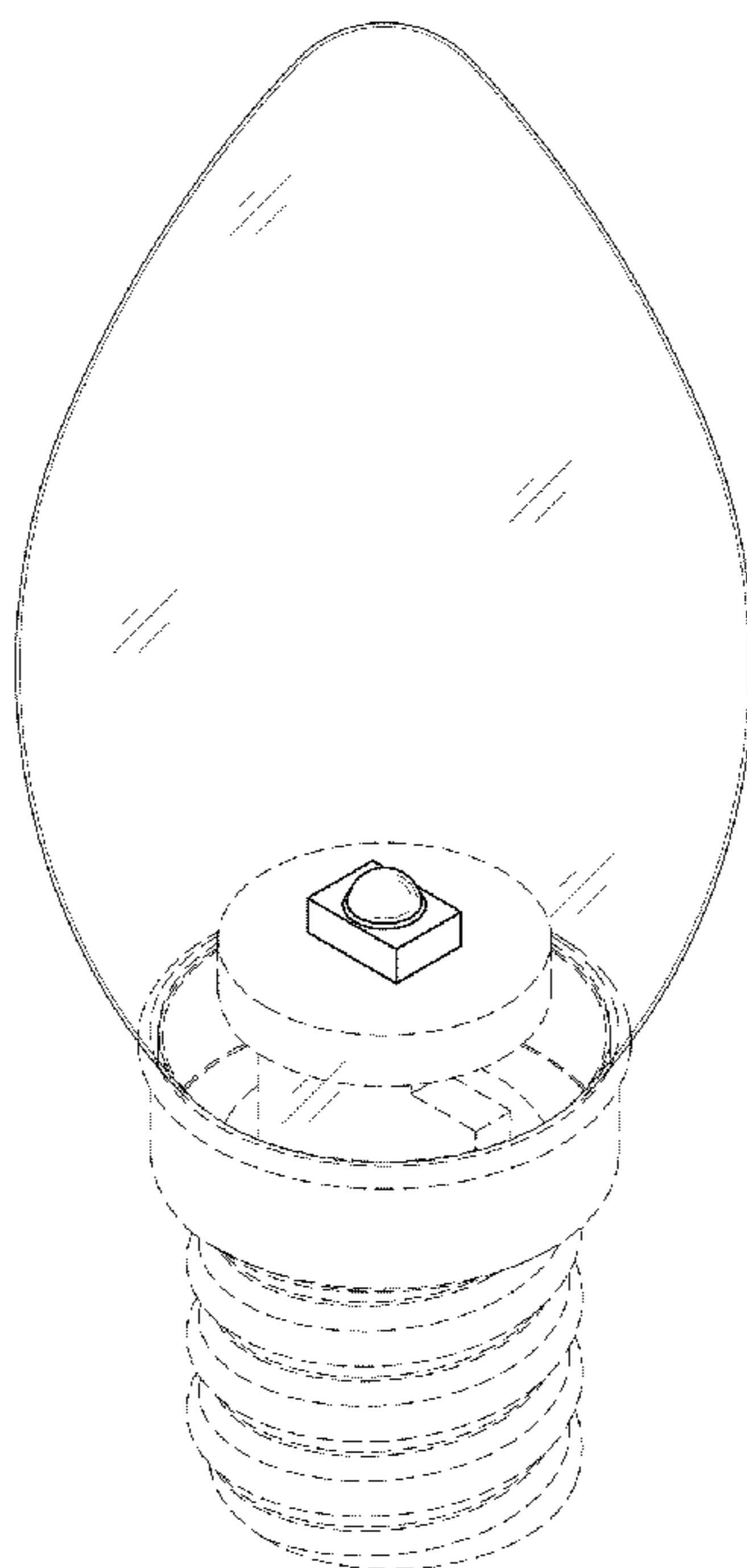


FIG. 1

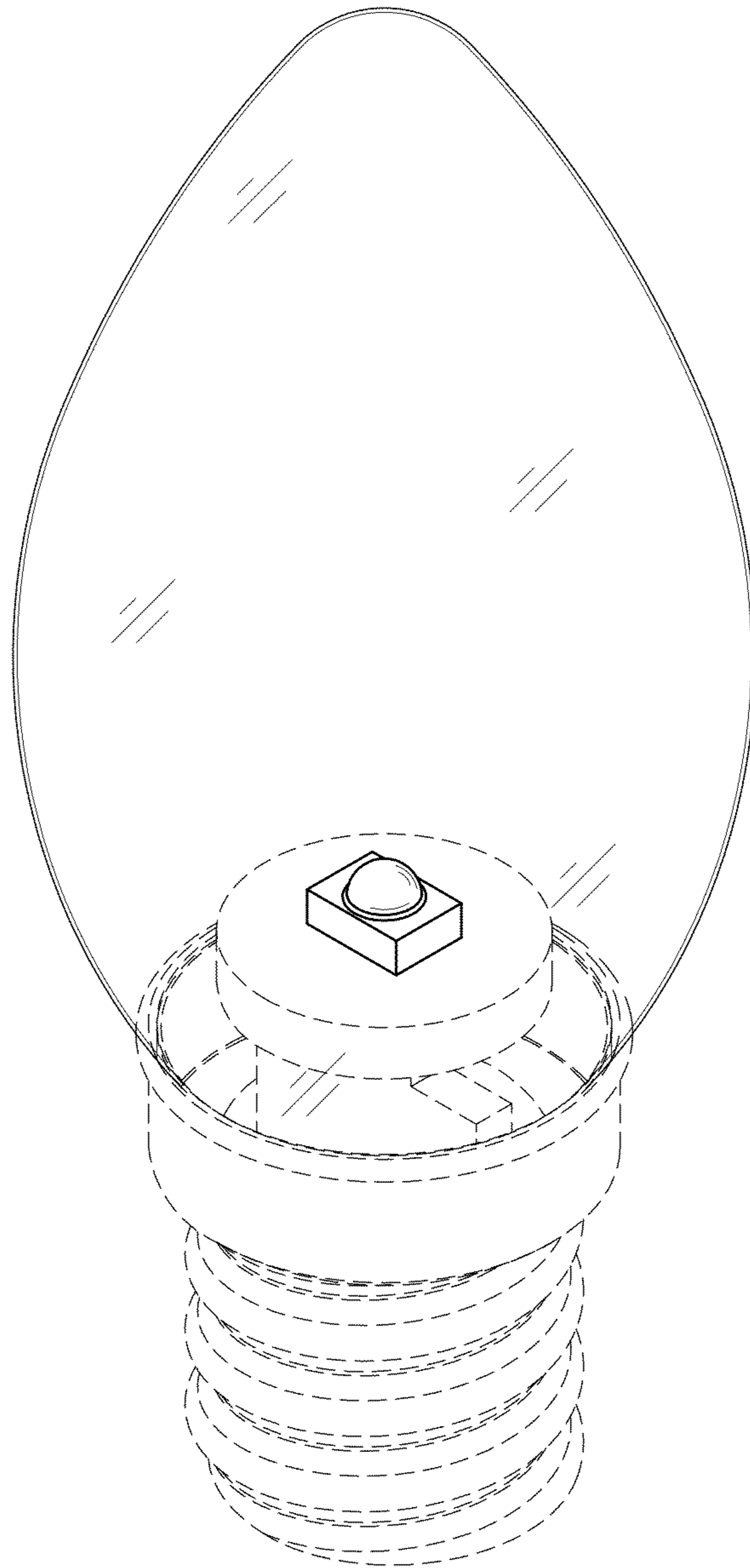


FIG. 2

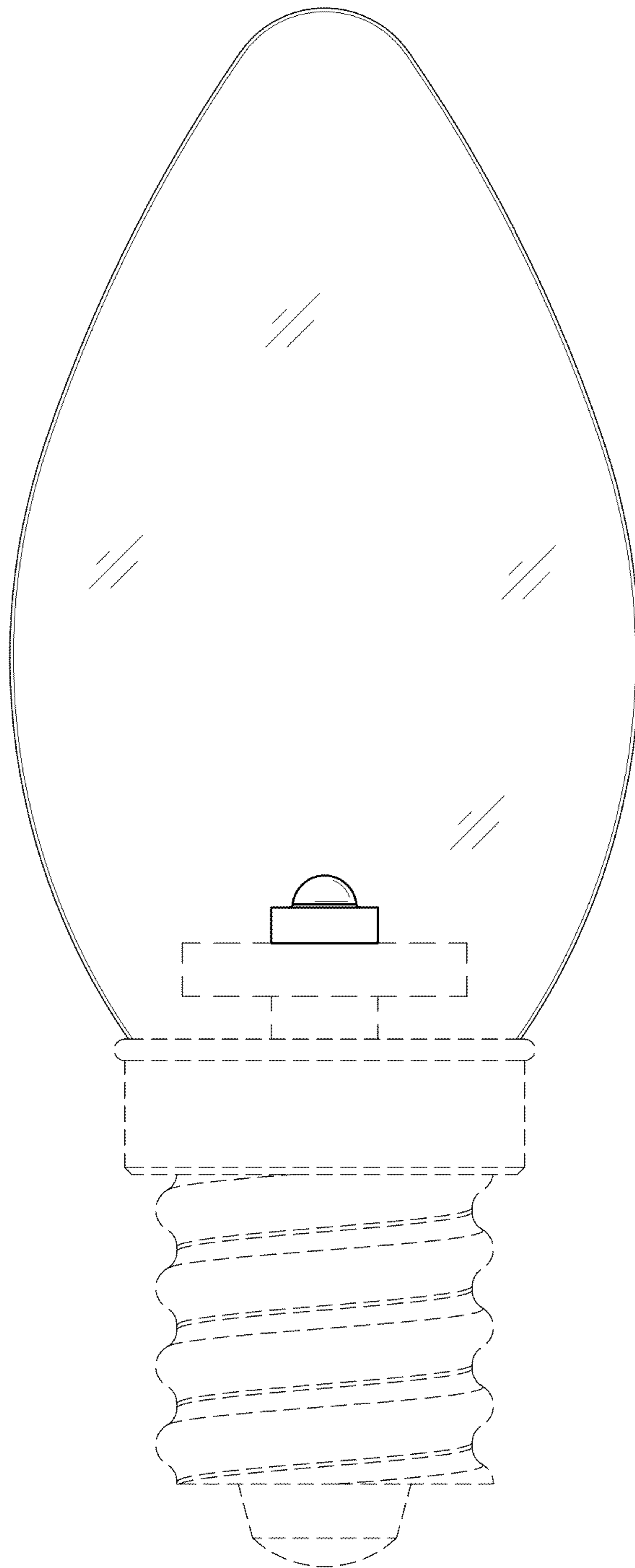


FIG. 3

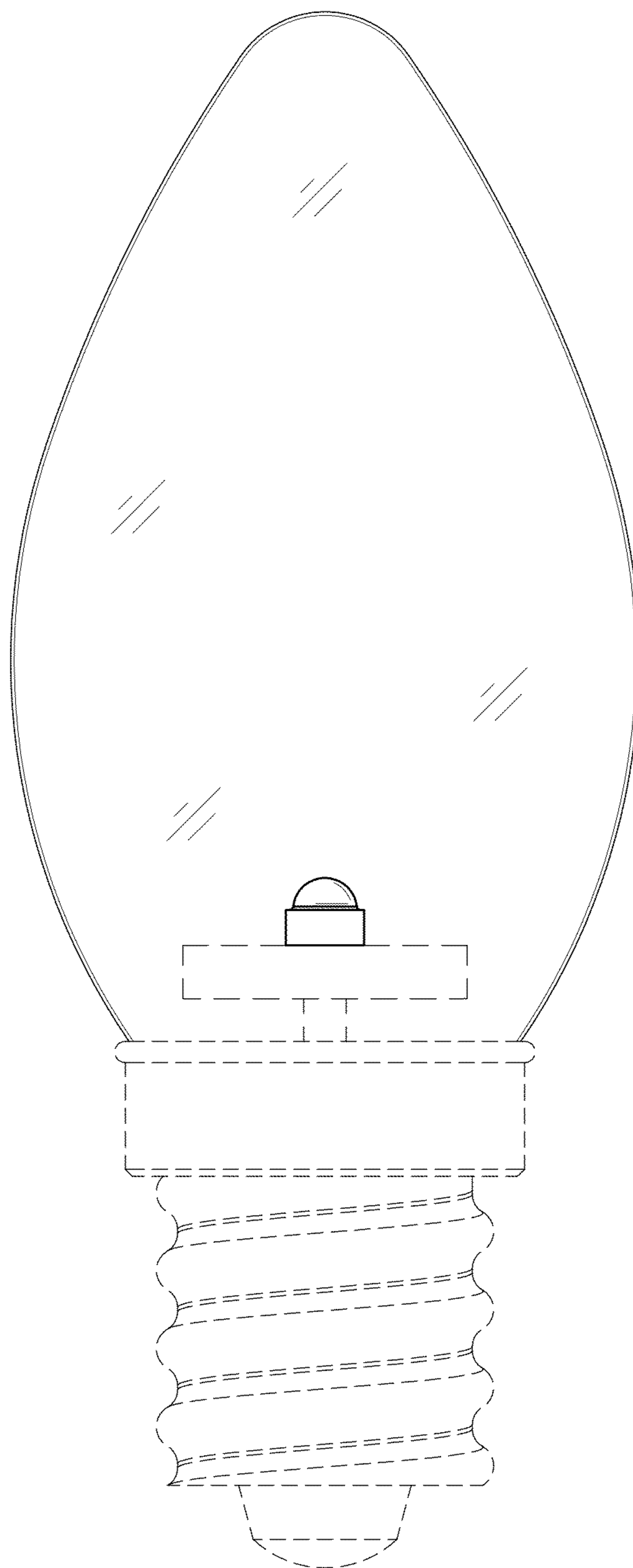


FIG. 4

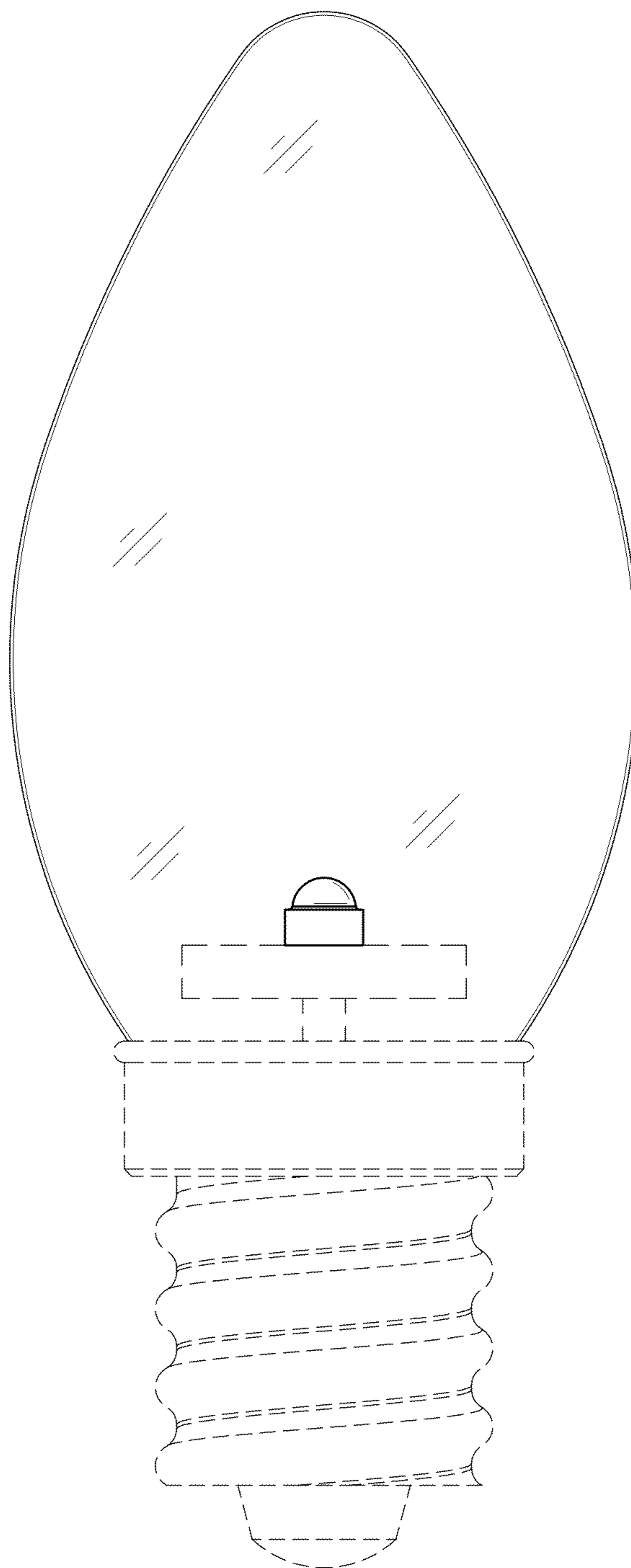


FIG. 5

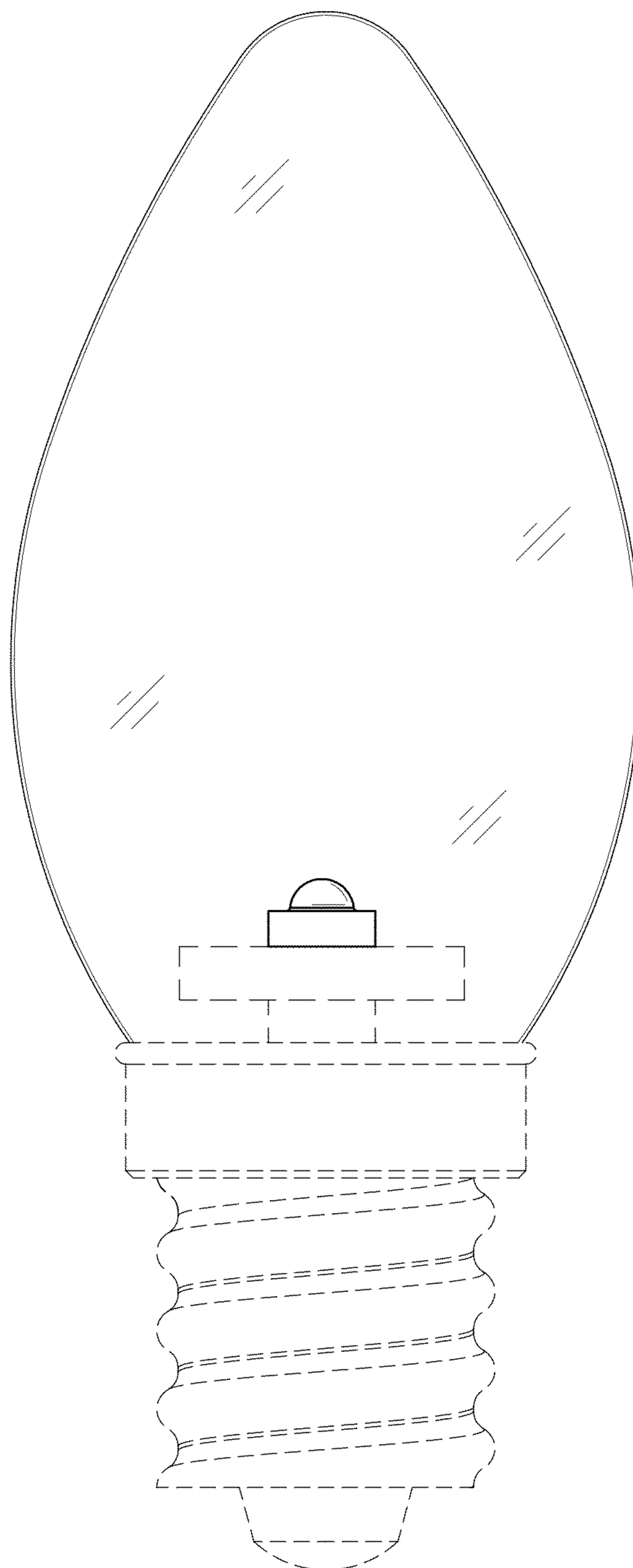


FIG. 6

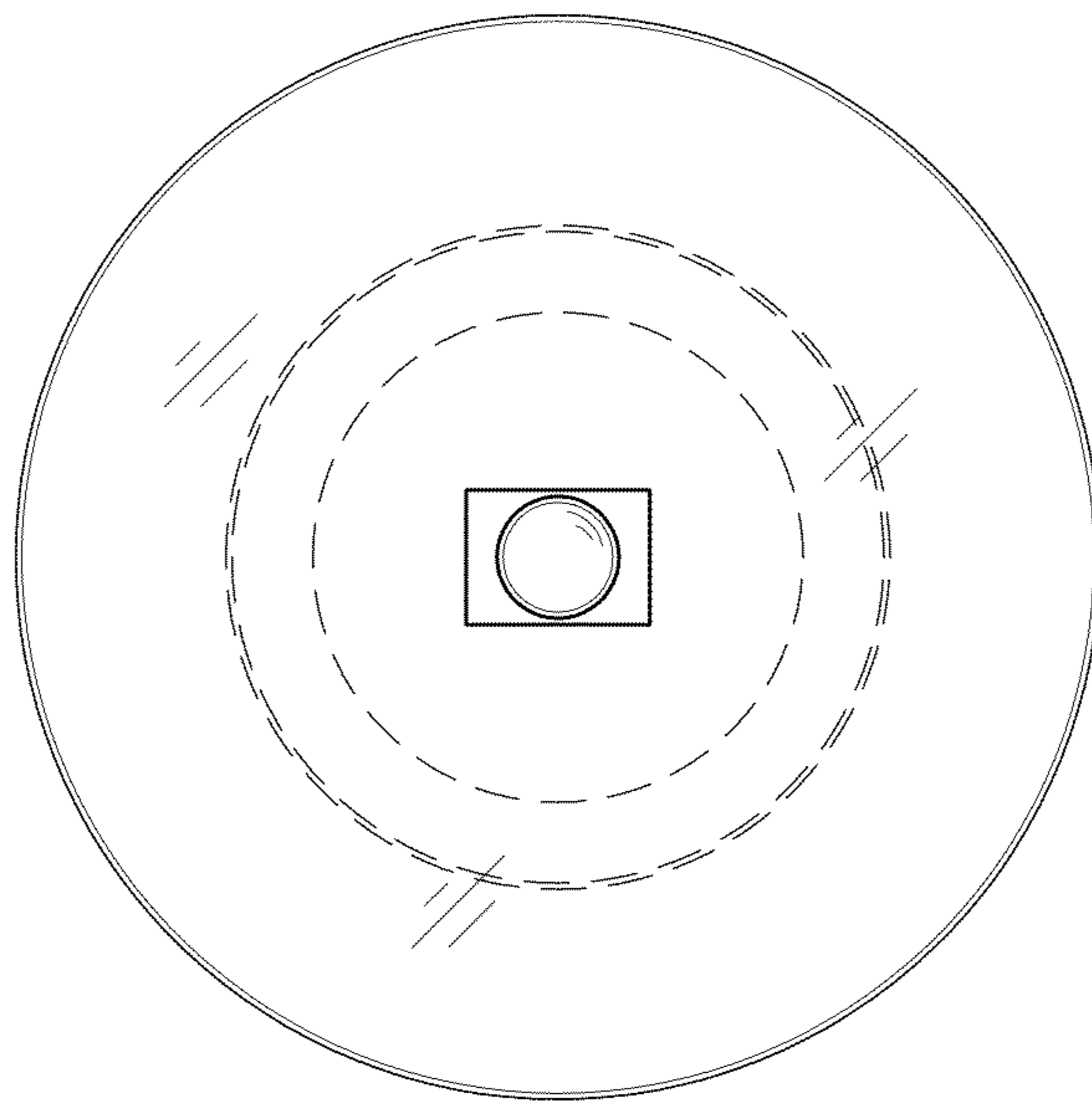


FIG. 7

