



US00D739566S

(12) **United States Design Patent**  
**Chen et al.**

(10) **Patent No.:** **US D739,566 S**

(45) **Date of Patent:** **\*\* Sep. 22, 2015**

(54) **LED MODULE**

D636,900 S \* 4/2011 Chou et al. .... D26/1  
D645,984 S \* 9/2011 Wang ..... D26/1

(71) Applicant: **HANGZHOU HPWINNER OPTO CORPORATION**, Hangzhou (CN)

\* cited by examiner

(72) Inventors: **Kai Chen**, Hangzhou (CN); **Jianming Huang**, Hangzhou (CN)

*Primary Examiner* — Marcus Jackson

(74) *Attorney, Agent, or Firm* — Brown & Michaels, PC

(73) Assignee: **HANGZHOU HPWINNER OPTO CORPORATION**, Hangzhou (CN)

(\*\*) Term: **14 Years**

(57) **CLAIM**

The ornamental design for a LED module, as shown and described.

(21) Appl. No.: **29/494,586**

(22) Filed: **Jun. 23, 2014**

(51) **LOC (10) Cl.** ..... **26-04**

(52) **U.S. Cl.**  
USPC ..... **D26/1**

(58) **Field of Classification Search**  
USPC ..... D26/1-4; 313/313, 315, 316, 317, 318,  
313/493; 315/52, 53, 56, 57, 58  
See application file for complete search history.

**DESCRIPTION**

FIG. 1 is a front view of the LED module of the present invention.  
FIG. 2 is a back view of the LED module.  
FIG. 3 is a left side view of the LED module.  
FIG. 4 is a right side view of the LED module.  
FIG. 5 is a top view of the LED module.  
FIG. 6 is a bottom view of the LED module.  
FIG. 7 is a first perspective view of the LED module; and,  
FIG. 8 is a second perspective view of the LED module.

(56) **References Cited**

**U.S. PATENT DOCUMENTS**

D509,309 S \* 9/2005 Janssen ..... D26/1  
D578,670 S \* 10/2008 Li et al. .... D26/1

**1 Claim, 4 Drawing Sheets**

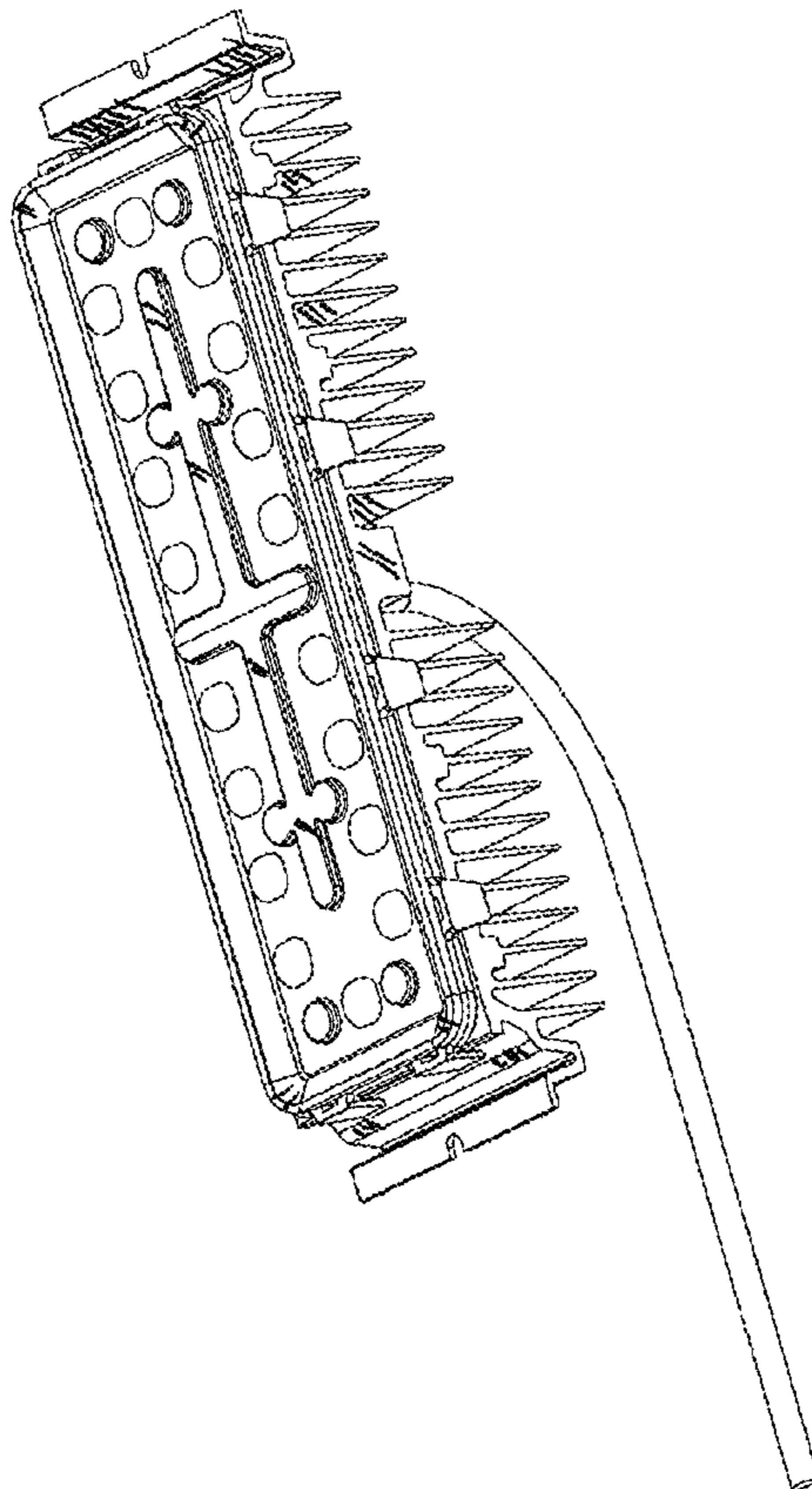


Fig. 1

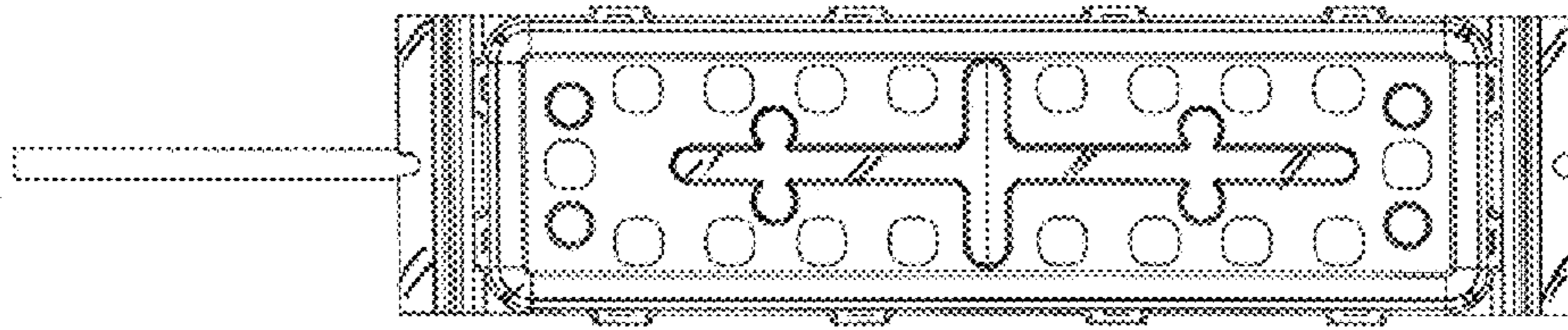


Fig. 2

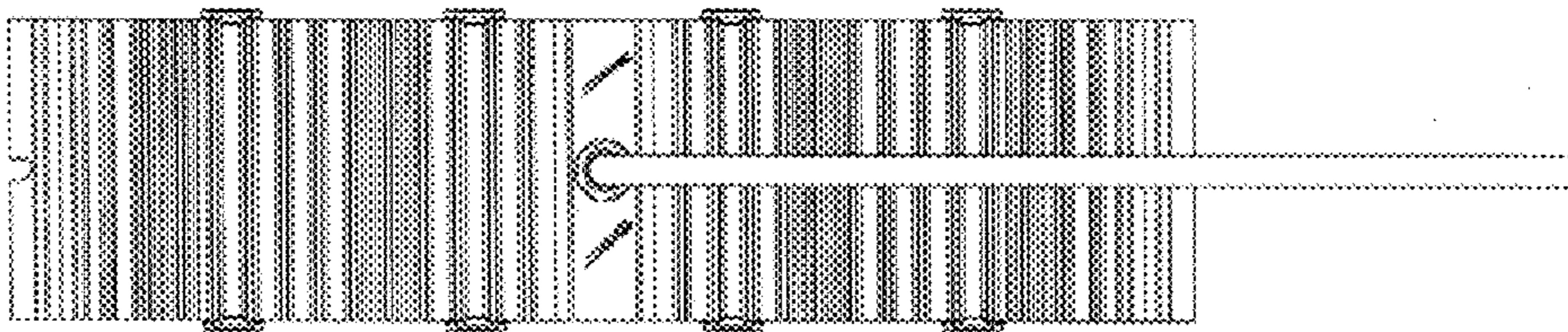


Fig. 3

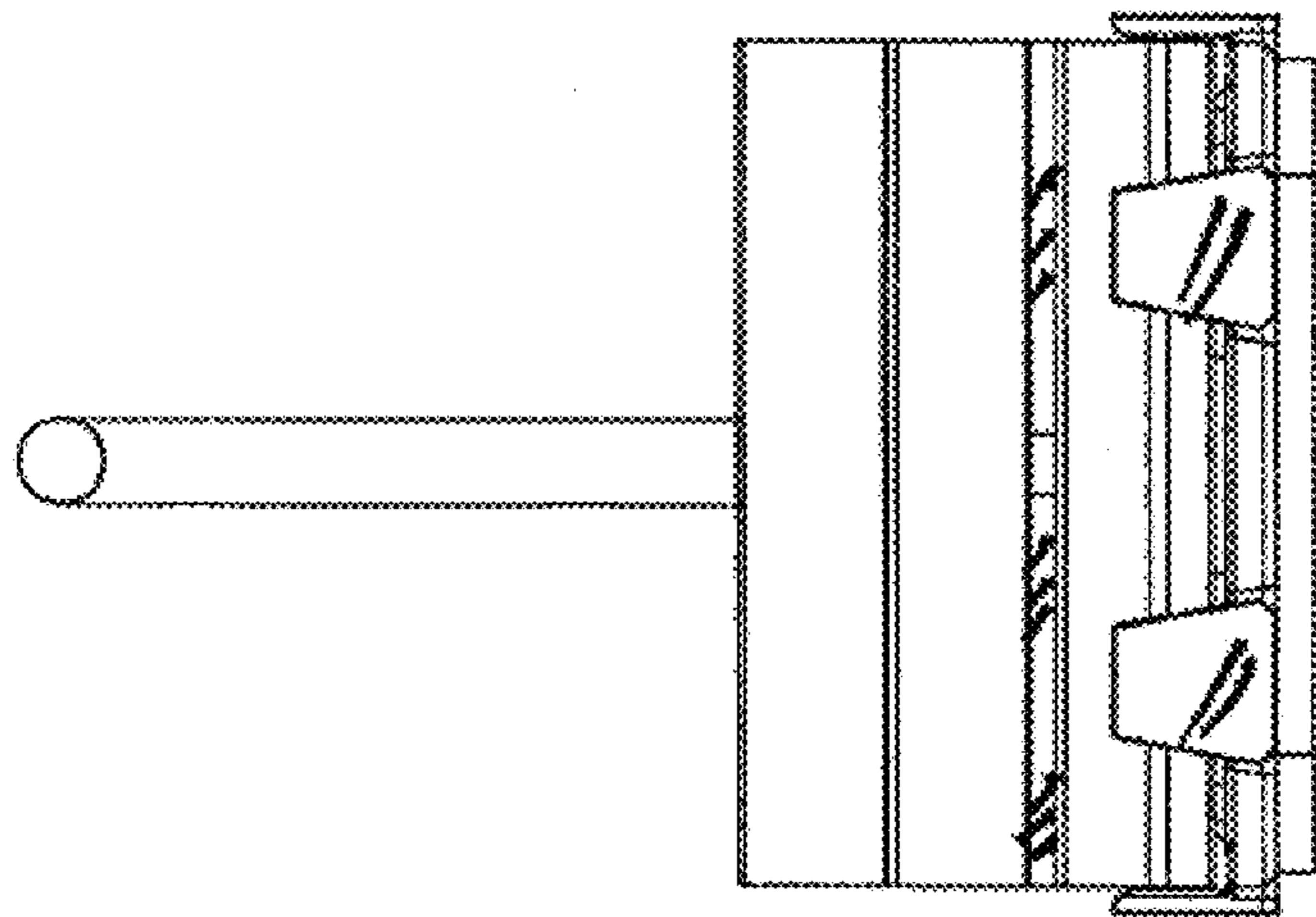


Fig. 4

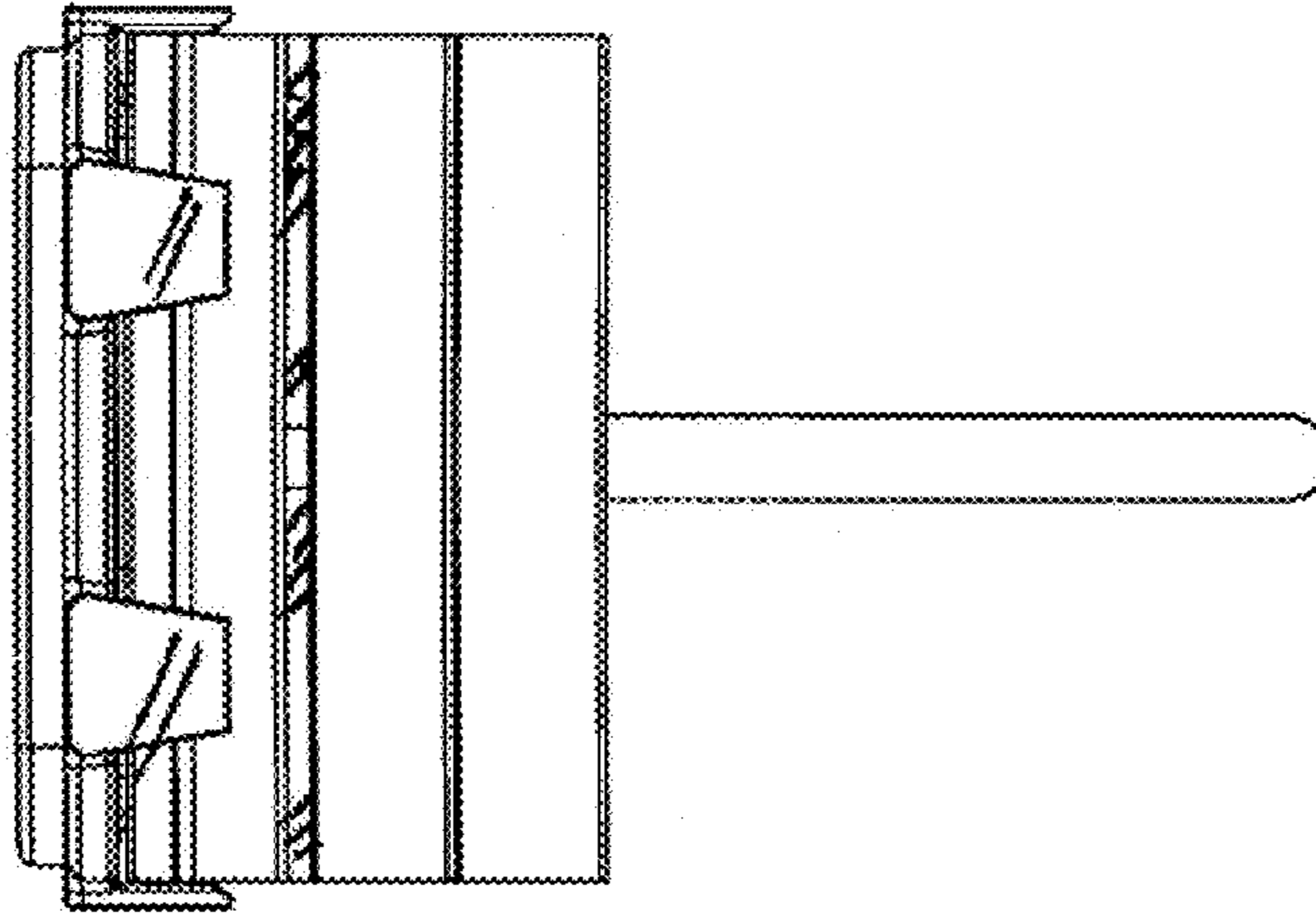


Fig. 5

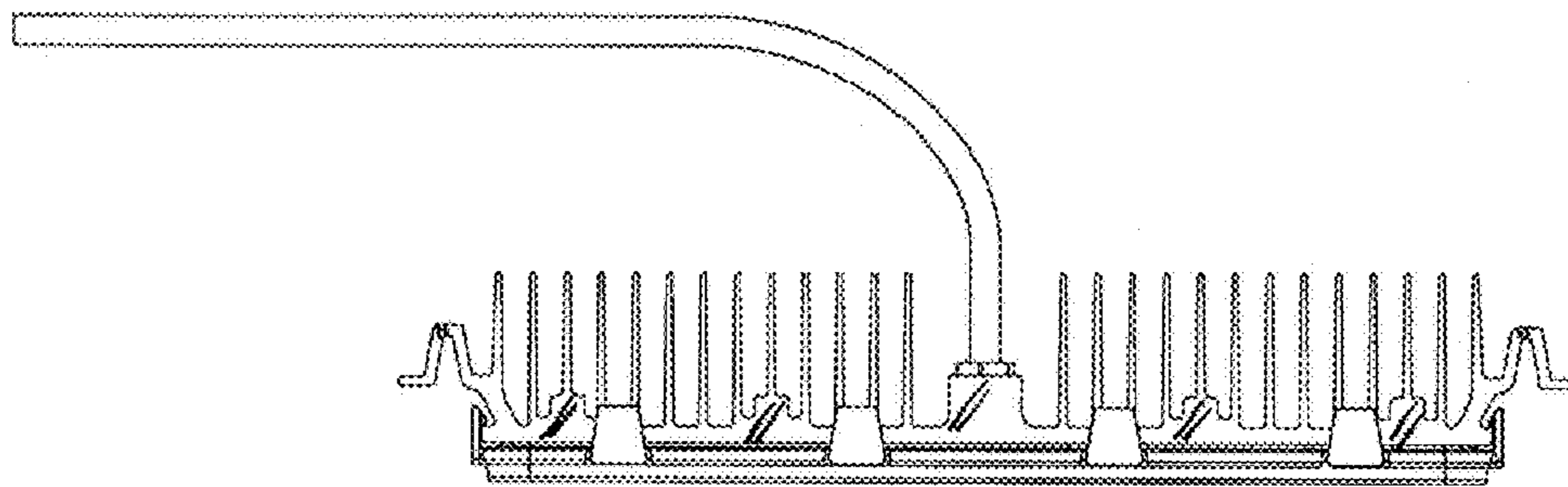


Fig. 6

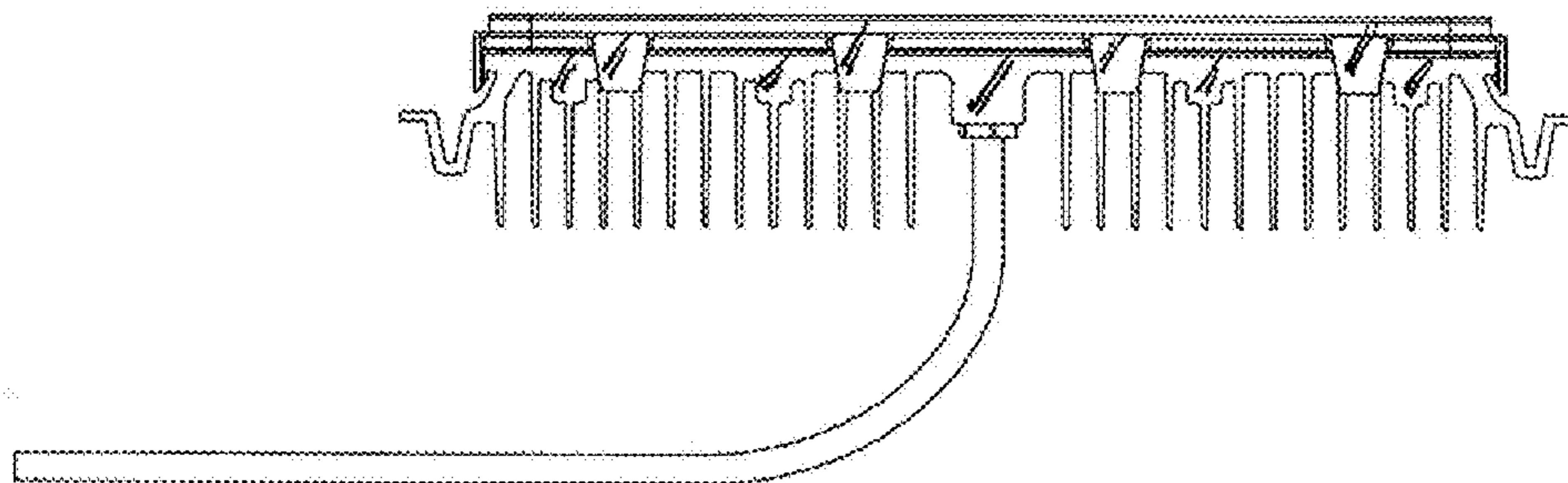




Fig. 7

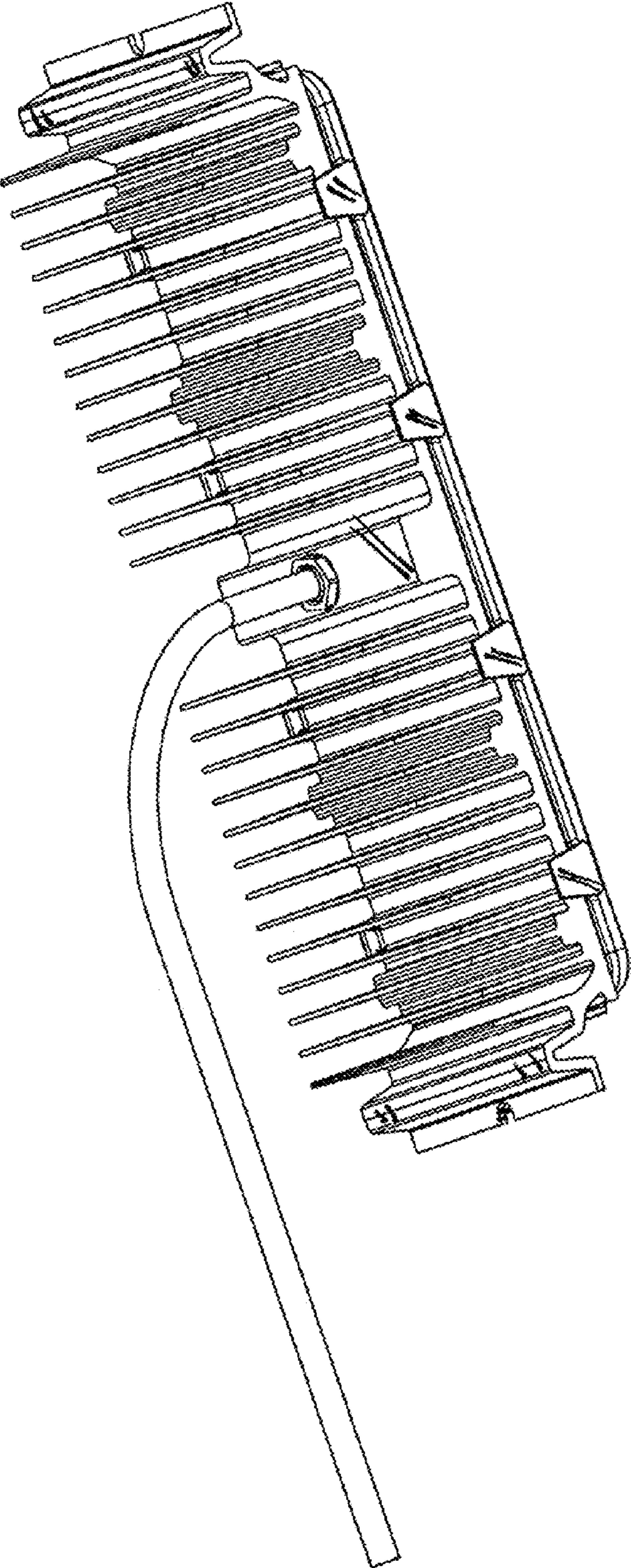


Fig. 8

