



US00D739563S

(12) **United States Design Patent**
Whiteley

(10) **Patent No.:** **US D739,563 S**

(45) **Date of Patent:** **** Sep. 22, 2015**

(54) **BALLAST WEIGHT FOR A FENCE POST BASE**

2006/0026877 A1* 2/2006 Dicke et al. 40/607.1
2006/0175595 A1* 8/2006 Carnevali 256/65.14
2008/0237560 A1* 10/2008 Dehlsen 256/65.14

(71) Applicant: **Oxford Plastic Systems Limited,**
Oxfordshire (GB)

* cited by examiner

(72) Inventor: **Christopher James Whiteley,**
Buckinghamshire (GB)

Primary Examiner — Doris Clark

(74) *Attorney, Agent, or Firm* — O’Shea Getz P.C.

(73) Assignee: **Oxford Plastic Systems Limited,**
Enstone (GB)

(57) **CLAIM**

I claim the ornamental design for a ballast weight for a fence post base, as shown and described.

(**) Term: **14 Years**

DESCRIPTION

(21) Appl. No.: **29/465,114**

(22) Filed: **Aug. 23, 2013**

(51) **LOC (10) Cl.** **25-01**

(52) **U.S. Cl.**
USPC **D25/133**

(58) **Field of Classification Search**
USPC D25/133; 256/65.14; 52/146
See application file for complete search history.

FIG. 1 is a perspective view of a ballast weight for a fence post base, showing the front, the top, and the first side of the ballast weight;

FIG. 2 is a perspective view of the ballast weight, showing the rear, the top, and the first side of the ballast weight;

FIG. 3 is an elevation view of the ballast weight, showing the front of the ballast weight;

FIG. 4 is an elevation view of the ballast weight, showing the first side of the ballast weight;

FIG. 5 is an elevation view of the ballast weight, showing the second side of the ballast weight;

FIG. 6 is an elevation view of the ballast weight, showing the rear of the ballast weight; and,

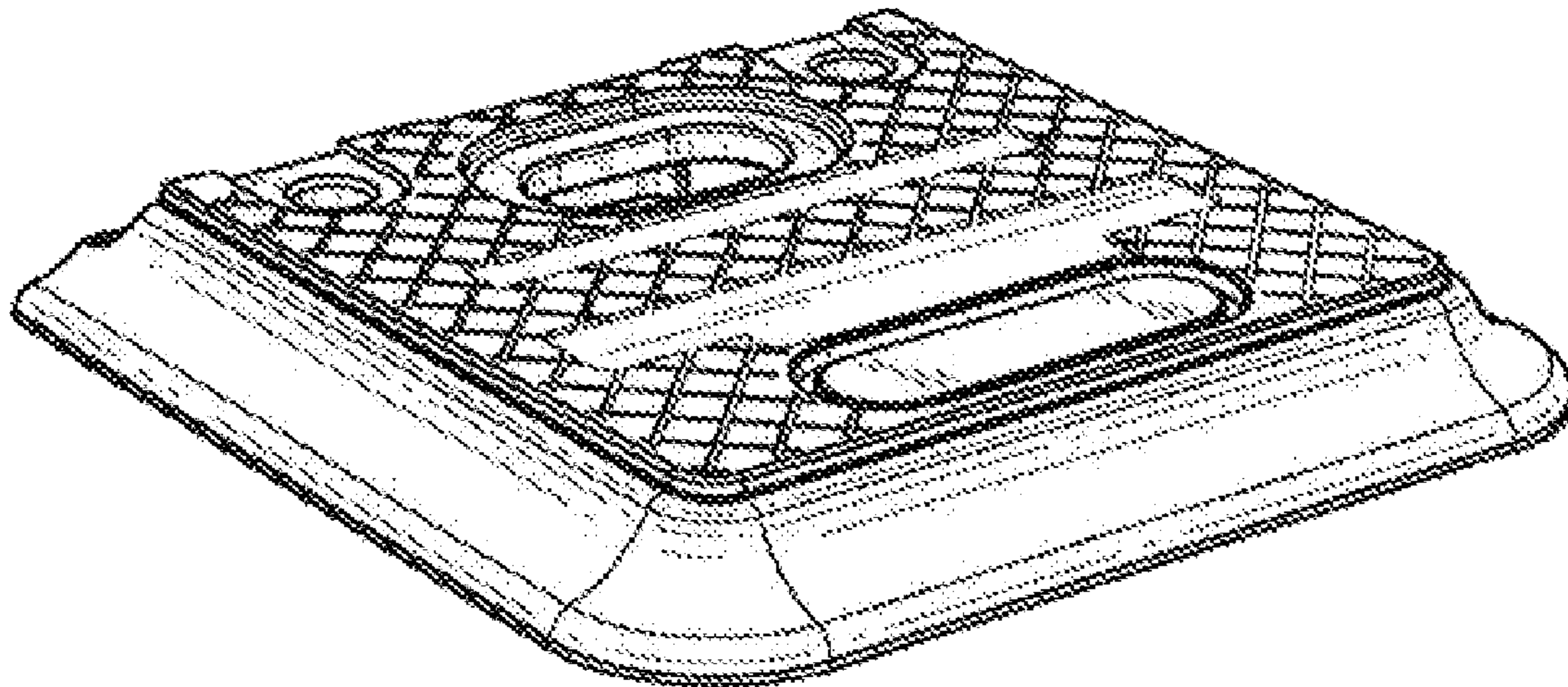
FIG. 7 is a perspective view of the ballast weight, showing the rear, the bottom, and the first side of the ballast weight.

(56) **References Cited**

U.S. PATENT DOCUMENTS

D602,175 S * 10/2009 Droomer D25/133
2003/0085393 A1* 5/2003 Higgs et al. 256/1
2003/0168813 A1* 9/2003 Wilkus 273/407
2006/0022189 A1* 2/2006 Collins 256/65.14

1 Claim, 7 Drawing Sheets



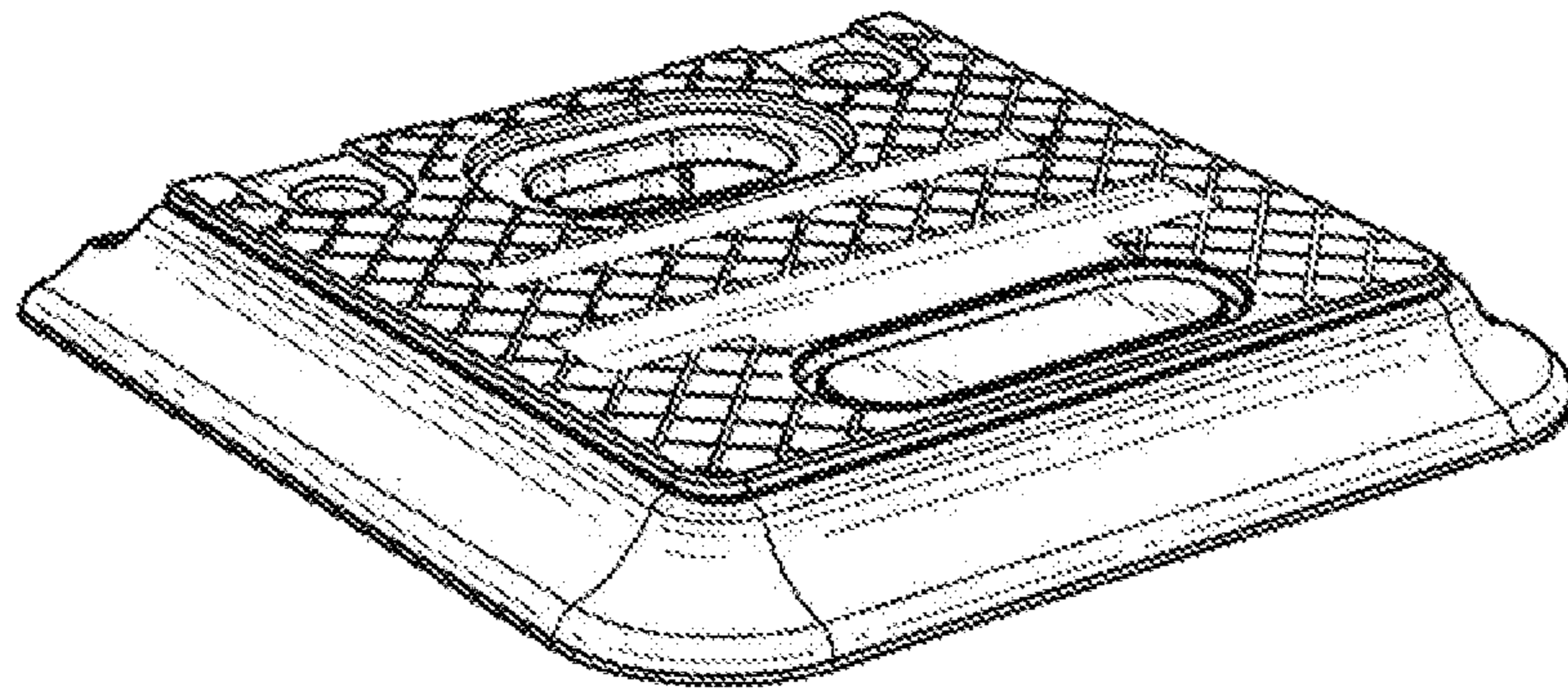


FIG. 1

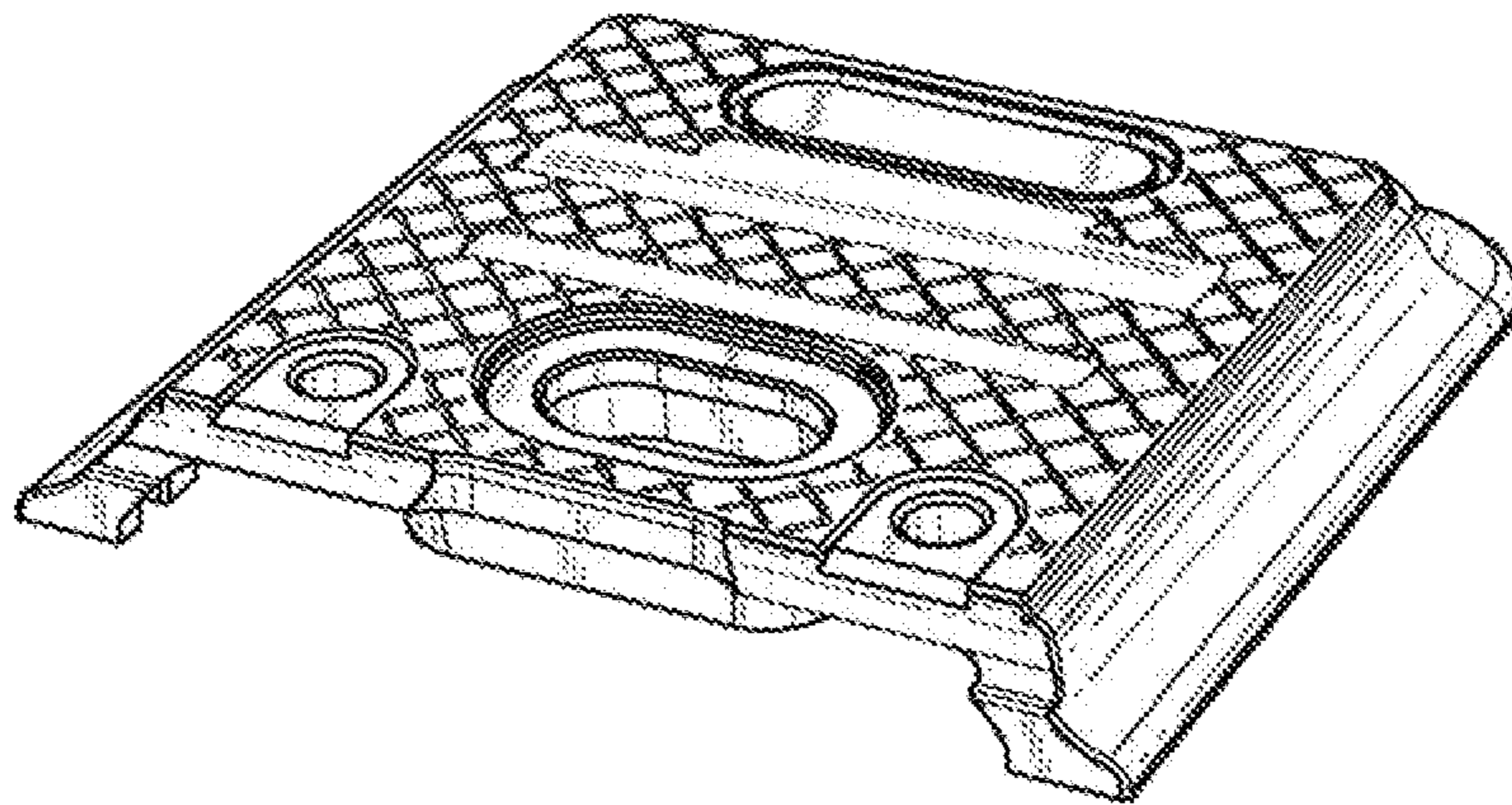


FIG. 2

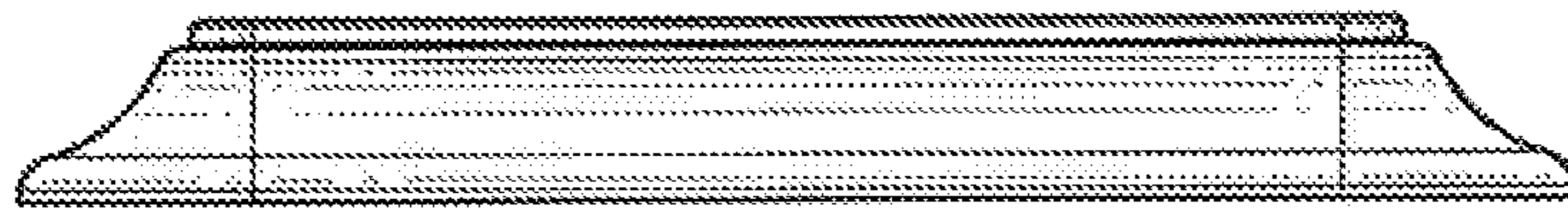


FIG. 3

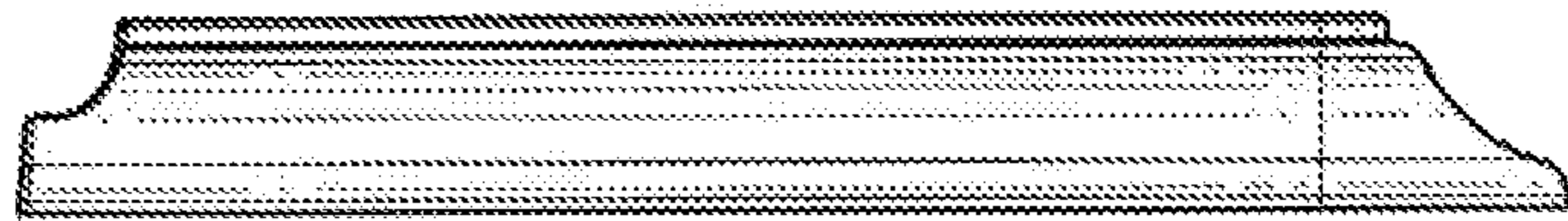


FIG. 4

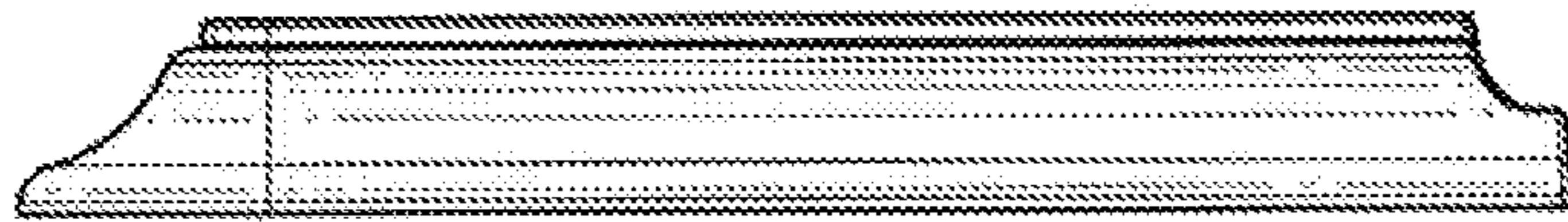


FIG. 5

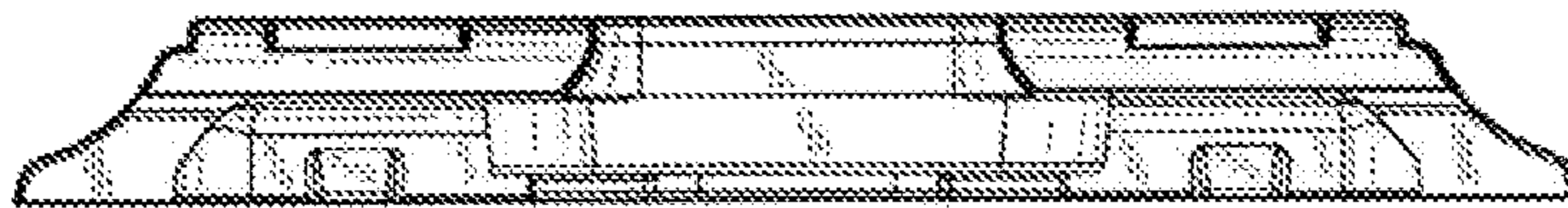


FIG. 6

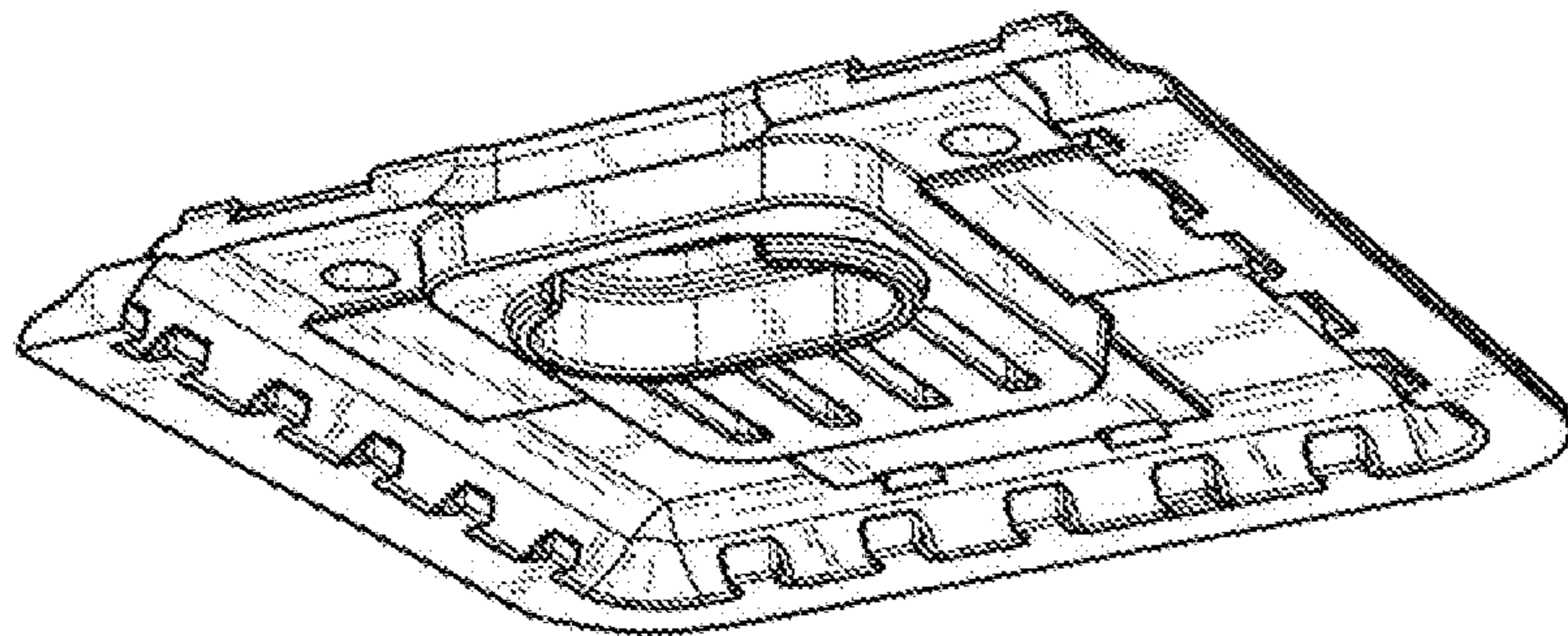


FIG. 7