



US00D739562S

(12) **United States Design Patent**  
**Campbell et al.**

(10) **Patent No.:** **US D739,562 S**

(45) **Date of Patent:** **\*\* Sep. 22, 2015**

(54) **WINDOW FRAME PROFILE**

(71) Applicant: **ROYAL GROUP, INC.**, Atlanta, GA (US)

(72) Inventors: **David Robert Campbell**, Orillia (CA); **Nina Sterlin**, Thornhill (CA); **Phil Weber**, Norwalk, IA (US)

(73) Assignee: **Royal Group, Inc.**, Atlanta, GA (US)

(\*\*) Term: **14 Years**

(21) Appl. No.: **29/482,409**

(22) Filed: **Feb. 18, 2014**

(51) **LOC (10) Cl.** ..... **25-01**

(52) **U.S. Cl.**  
USPC ..... **D25/124**

(58) **Field of Classification Search**  
USPC ..... D25/124; 52/204.1, 204.2, 204.5, 52/204.51, 656.5, 656.6, 213, 215, 208, 52/656.2, 656.7, 800.13, 717.01; 49/DIG. 2, 504

CPC ..... E06B 3/00; E06B 3/16; E06B 3/20; E06B 3/22; E06B 3/205

See application file for complete search history.

(56) **References Cited**

U.S. PATENT DOCUMENTS

5,090,168 A \* 2/1992 Fast et al. .... 52/213  
D576,301 S \* 9/2008 Morton et al. .... D25/124  
2005/0210778 A1 \* 9/2005 Seiling et al. .... 52/204.1

\* cited by examiner

*Primary Examiner* — Doris Clark

(74) *Attorney, Agent, or Firm* — Hunton & Williams, LLP

(57) **CLAIM**

We claim the ornamental design for a window frame profile, as shown and described.

**DESCRIPTION**

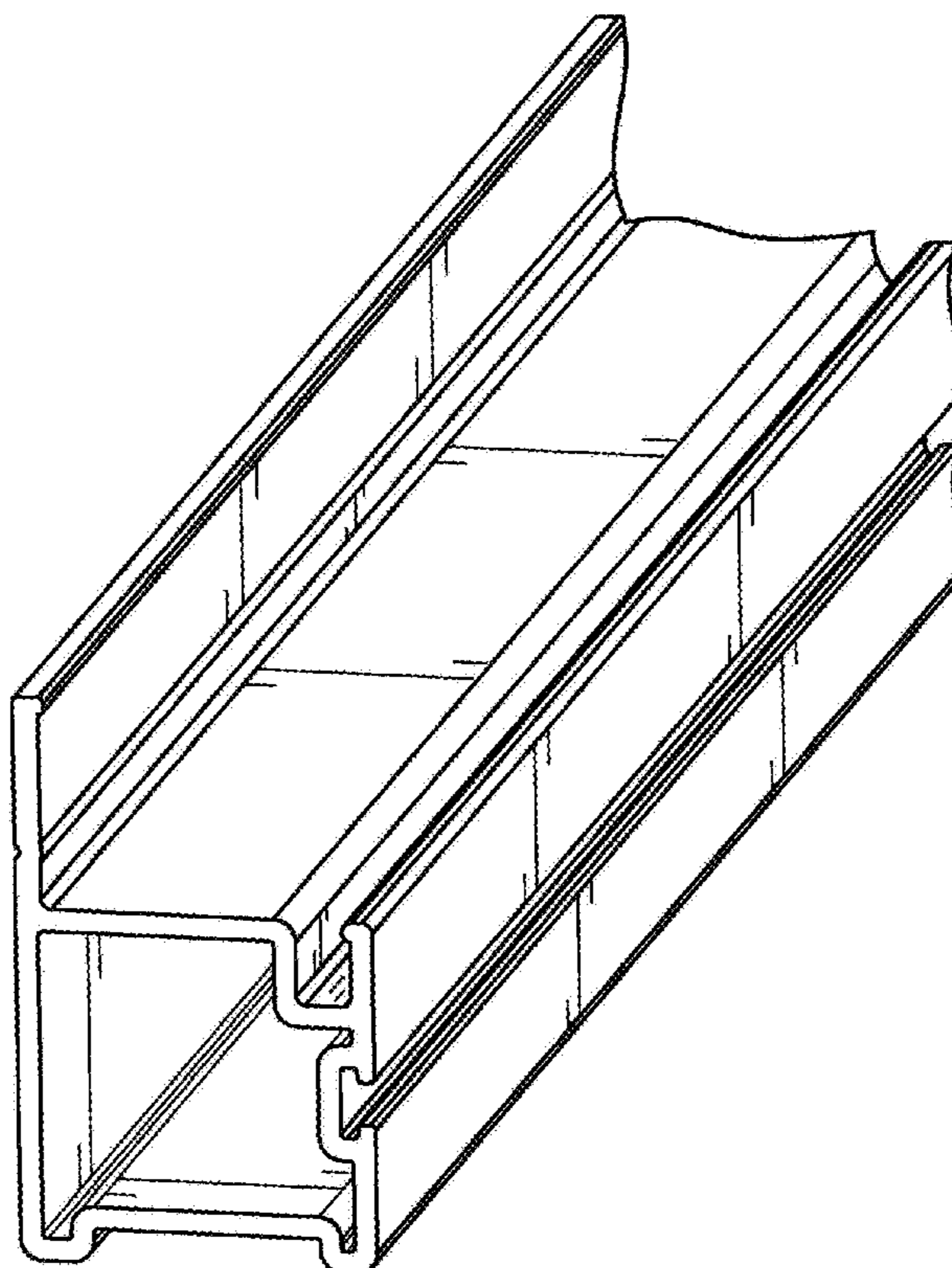
FIG. 1 is a fragmentary top right isometric view of a window frame profile of the claimed design.

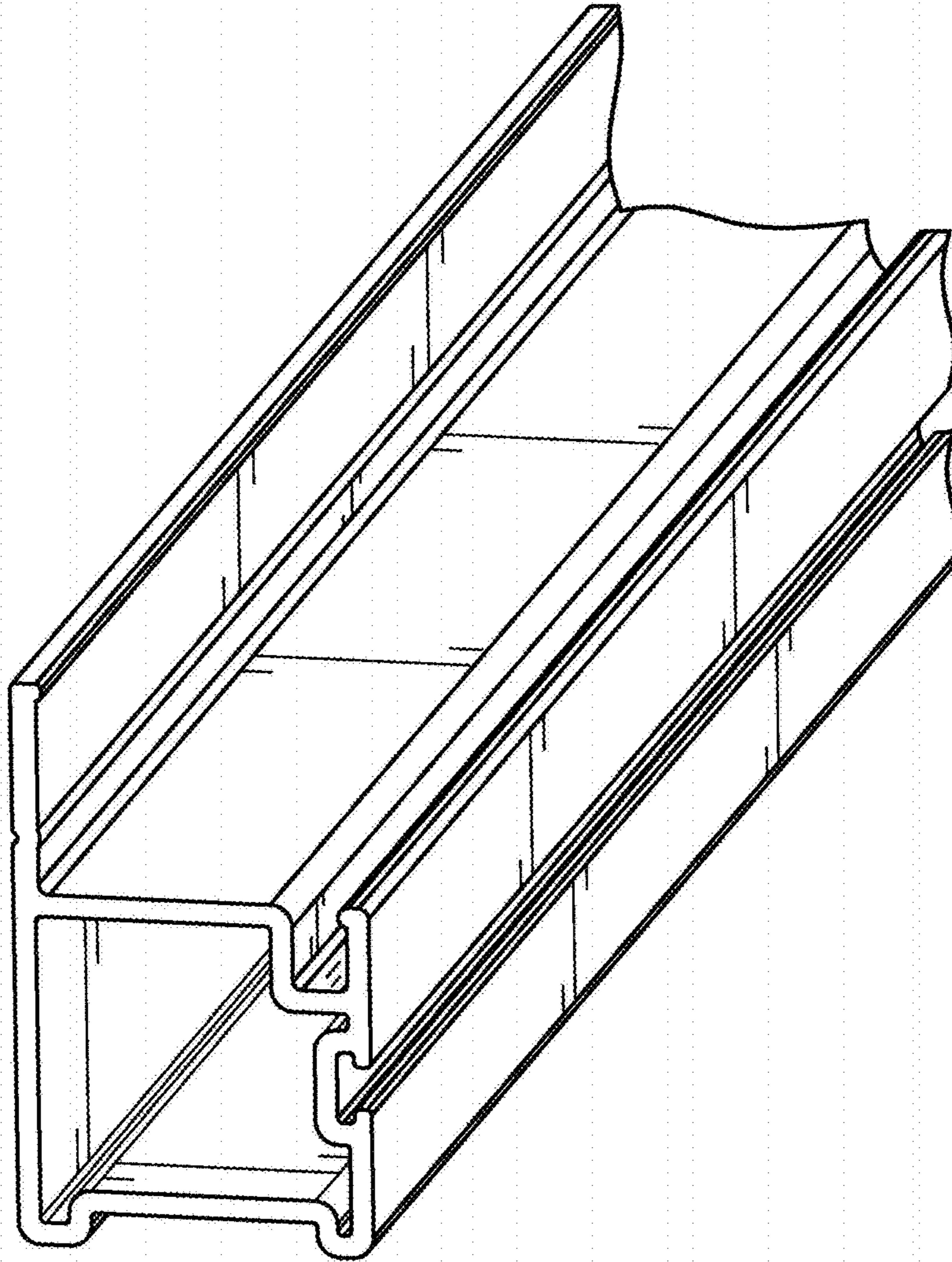
FIG. 2 is a fragmentary bottom left isometric view of a window frame profile of FIG. 1; and,

FIG. 3 is an end elevation view of the of the window frame profile of FIG. 1.

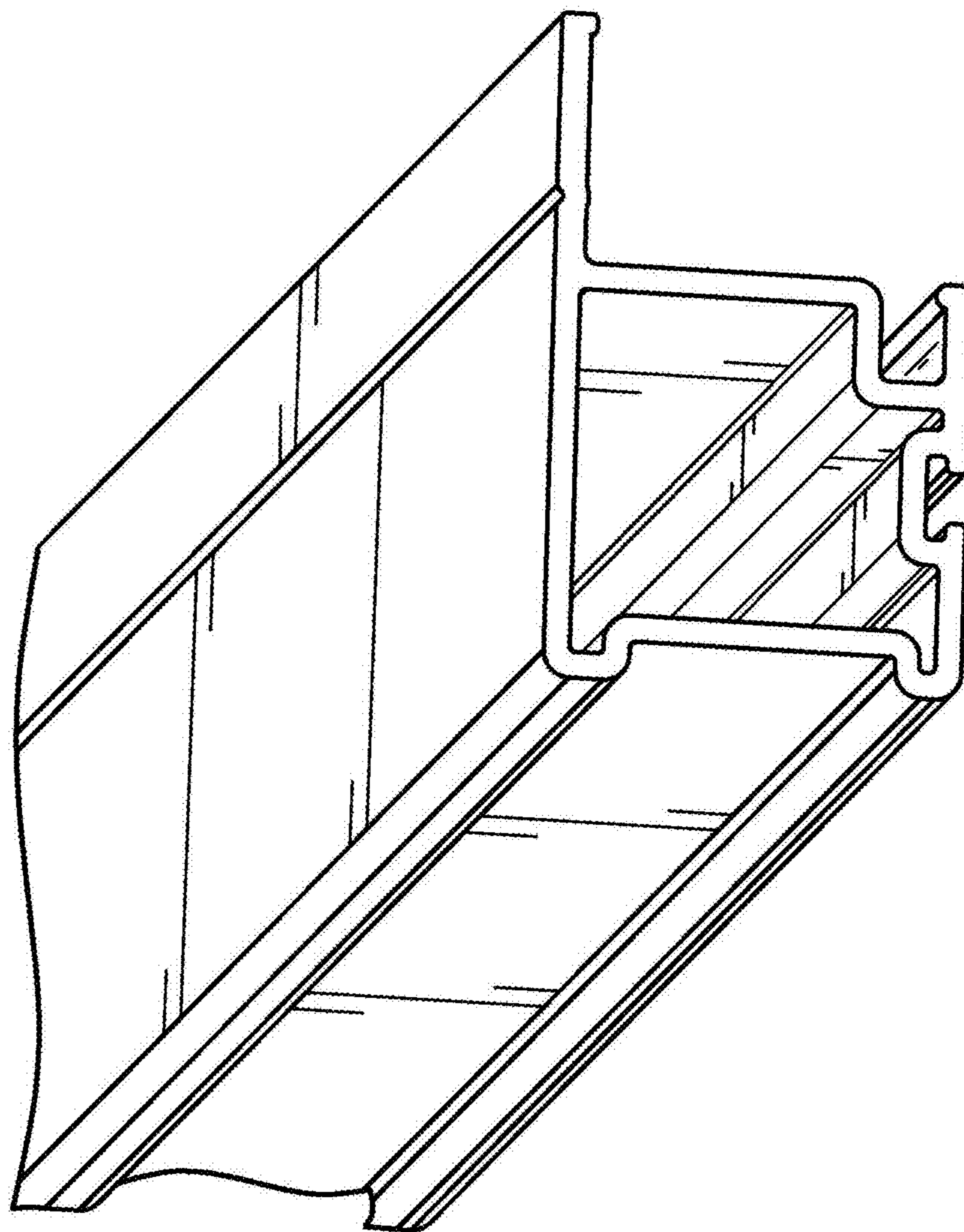
The claimed design is broken on the end to indicate indeterminate length.

**1 Claim, 3 Drawing Sheets**

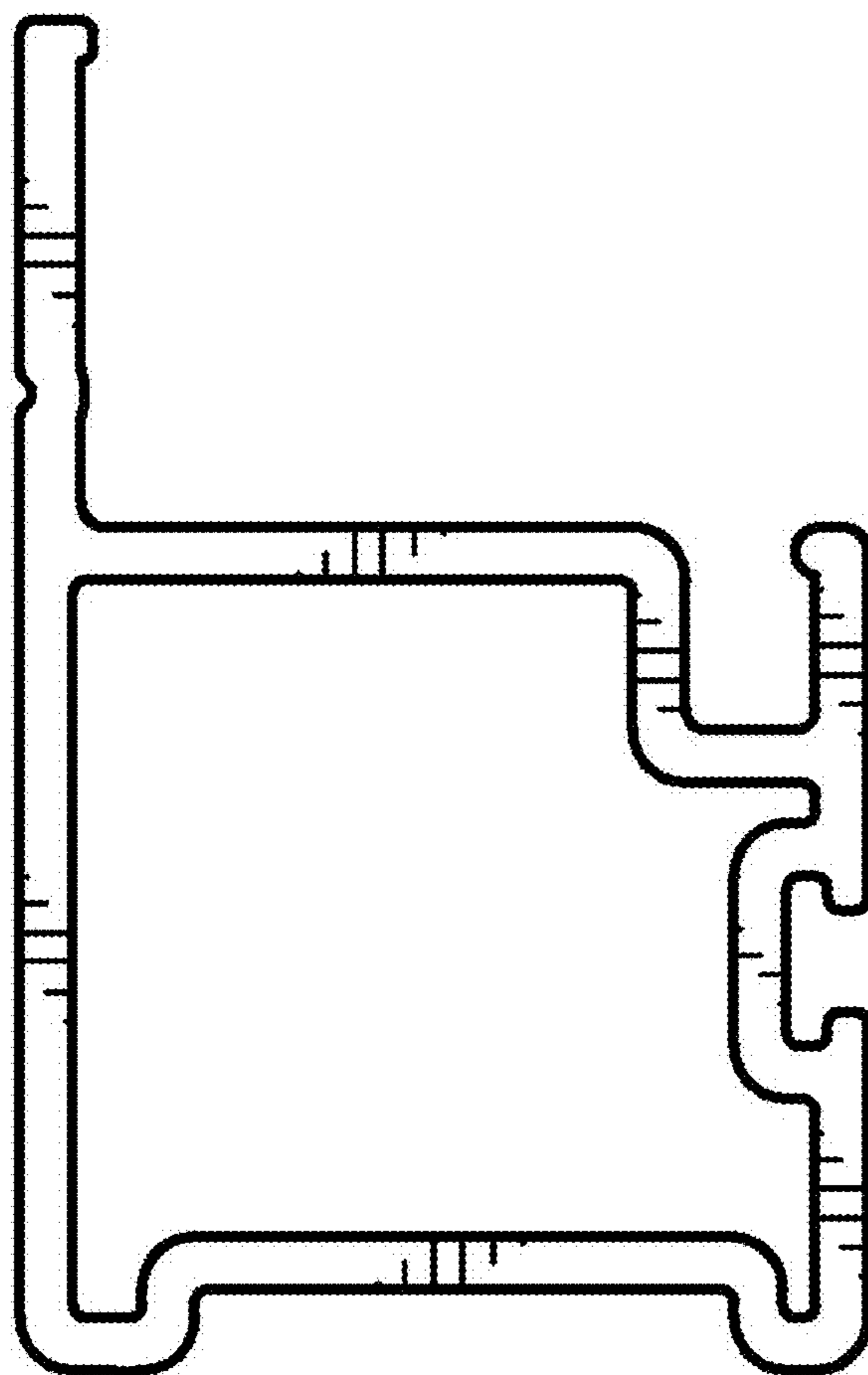




**Fig. 1**



**Fig. 2**



***Fig. 3***