



US00D739556S

(12) **United States Design Patent**  
**Yoder et al.**

(10) **Patent No.:** **US D739,556 S**

(45) **Date of Patent:** **\*\* Sep. 22, 2015**

- (54) **MODULAR BUILDING**
- (71) Applicant: **Performance Contracting, Inc.**,  
Lenexa, KS (US)
- (72) Inventors: **Steven M. Yoder**, Shawnee, KS (US);  
**Bart David Yoder**, Louisburg, KS (US);  
**Richard Carmona**, Kansas City, KS  
(US); **Frank Robert Dellaguzzo**,  
Overland Park, KS (US); **Jerry Eldon**  
**Frisch**, Buckner, MO (US)

- 3,095,616 A 7/1963 Bigelow, Jr.
- D210,005 S 1/1968 Swank et al.
- D221,068 S 7/1971 Kudamatsu et al.
- D223,755 S 6/1972 McNamee
- D224,293 S 7/1972 Wormser
- D225,519 S 12/1972 Glisson
- 3,992,829 A \* 11/1976 Schellberg et al. .... 52/79.1
- D251,735 S 5/1979 Chambers
- D251,736 S 5/1979 Chambers
- D251,737 S 5/1979 Chambers
- D251,738 S 5/1979 Chambers
- D251,739 S 5/1979 Chambers

(Continued)

- (73) Assignee: **Performance Contracting, Inc.**,  
Lenexa, KS (US)

**FOREIGN PATENT DOCUMENTS**

- (\*\*) Term: **14 Years**
- (21) Appl. No.: **29/490,885**
- (22) Filed: **May 15, 2014**

- JP 06-002380 1/1994 ..... E04C 2/46
- Primary Examiner* — Eric Goodman
- Assistant Examiner* — Amy Wierenga
- (74) *Attorney, Agent, or Firm* — Womble Carlyle Sandridge  
& Rice LLP

**Related U.S. Application Data**

- (62) Division of application No. 29/452,402, filed on Apr. 16, 2013, now Pat. No. Des. 708,348, which is a division of application No. 29/392,787, filed on May 26, 2011, now Pat. No. Des. 683,048.
- (51) **LOC (10) Cl.** ..... **25-03**
- (52) **U.S. Cl.**  
USPC ..... **D25/33**
- (58) **Field of Classification Search**  
USPC ..... D25/1-33, 35; 52/64, 71, 74, 79.1,  
52/79.4, 79.5, 81.5, 82, 90.1, 236.1, 245,  
52/246, 274  
See application file for complete search history.

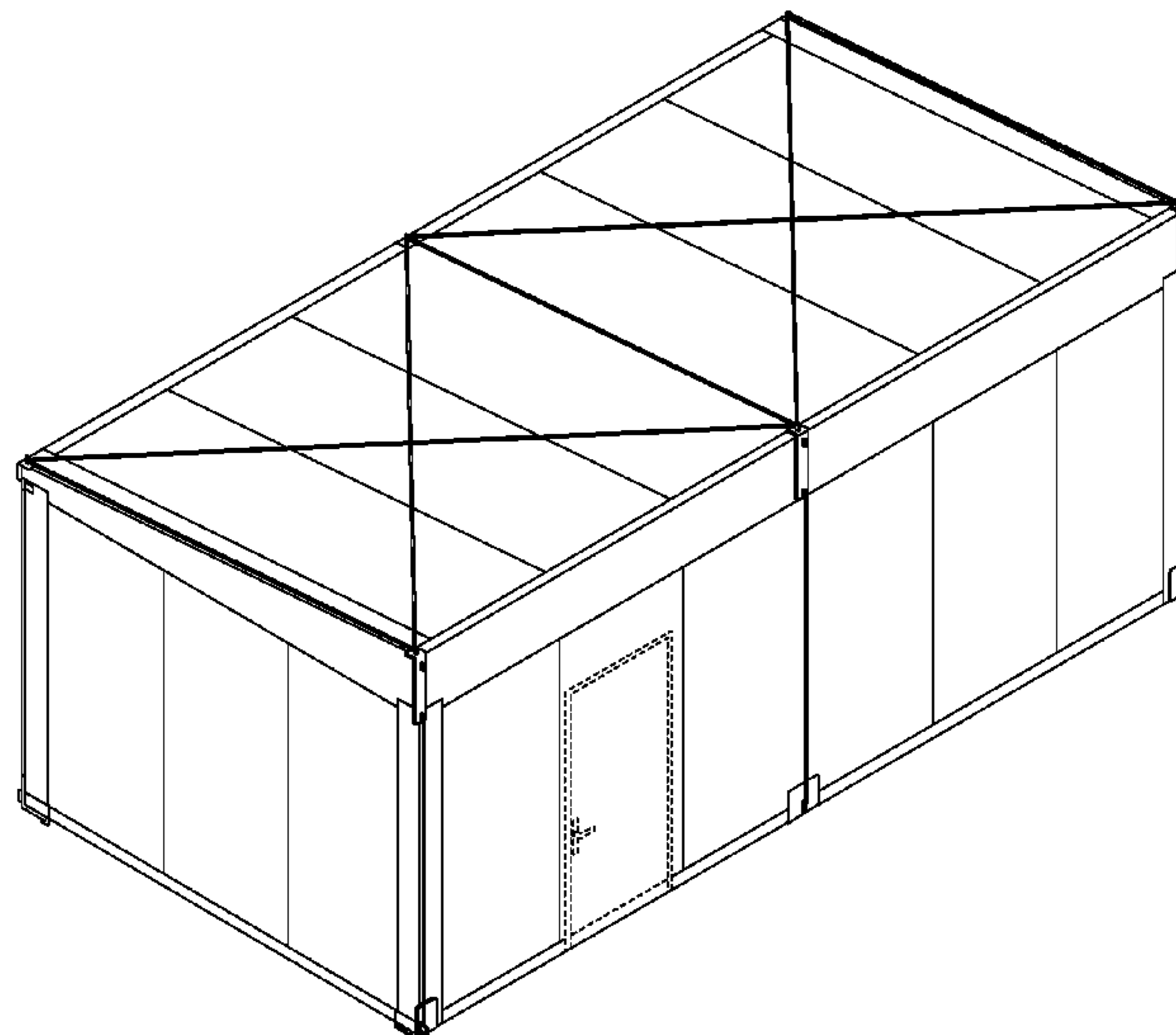
- (57) **CLAIM**  
The ornamental design for a modular building, as shown and described.

**DESCRIPTION**

FIG. 1 is a perspective view of a modular building showing my new design.  
 FIG. 2 is a front view of the modular building of FIG. 1.  
 FIG. 3 is a rear view of the modular building of FIG. 1.  
 FIG. 4 is a left side view of the modular building of FIG. 1.  
 FIG. 5 is a right side view of the modular building of FIG. 1.  
 FIG. 6 is a top view of the modular building of FIG. 1; and,  
 FIG. 7 is a bottom view of the modular building of FIG. 1.  
 The broken lines shown herein are for illustrative purposes and form no part of the claimed design.

- (56) **References Cited**  
U.S. PATENT DOCUMENTS  
D151,114 S 9/1948 Younger  
2,751,635 A \* 6/1956 Donnahue ..... 52/69

**1 Claim, 7 Drawing Sheets**



(56)

**References Cited**

U.S. PATENT DOCUMENTS

D261,036 S	9/1981	Chambers	7,673,424 B2 *	3/2010	Gomez-Espana	
4,294,051 A	10/1981	Hughes, Jr.	D626,659 S	11/2010	Collignon .....	52/143
5,317,857 A	6/1994	Allison	D631,559 S	1/2011	Ferko, III	
5,537,786 A	7/1996	Lozier et al.	D650,489 S	12/2011	Gibson	
5,706,614 A	1/1998	Wiley et al.	D655,019 S	2/2012	MacDonald et al.	
5,724,774 A *	3/1998	Rooney .....	D683,047 S *	5/2013	Colless et al.	
5,950,373 A	9/1999	Von Hoff et al.	D683,048 S	5/2013	Gill et al. ....	D25/22
6,463,705 B1	10/2002	Davis et al.	D683,469 S	5/2013	Yoder et al.	
6,604,328 B1 *	8/2003	Paddock .....	D708,348 S *	7/2014	Yoder et al. ....	D25/33
6,675,540 B1	1/2004	Rokes	D708,349 S *	7/2014	Yoder et al. ....	D25/33
7,418,802 B2	9/2008	Sarine et al.	2011/0179722 A1 *	7/2011	Schulz et al. ....	52/79.1
			2013/0232886 A1 *	9/2013	Yoder et al. ....	52/79.1

\* cited by examiner

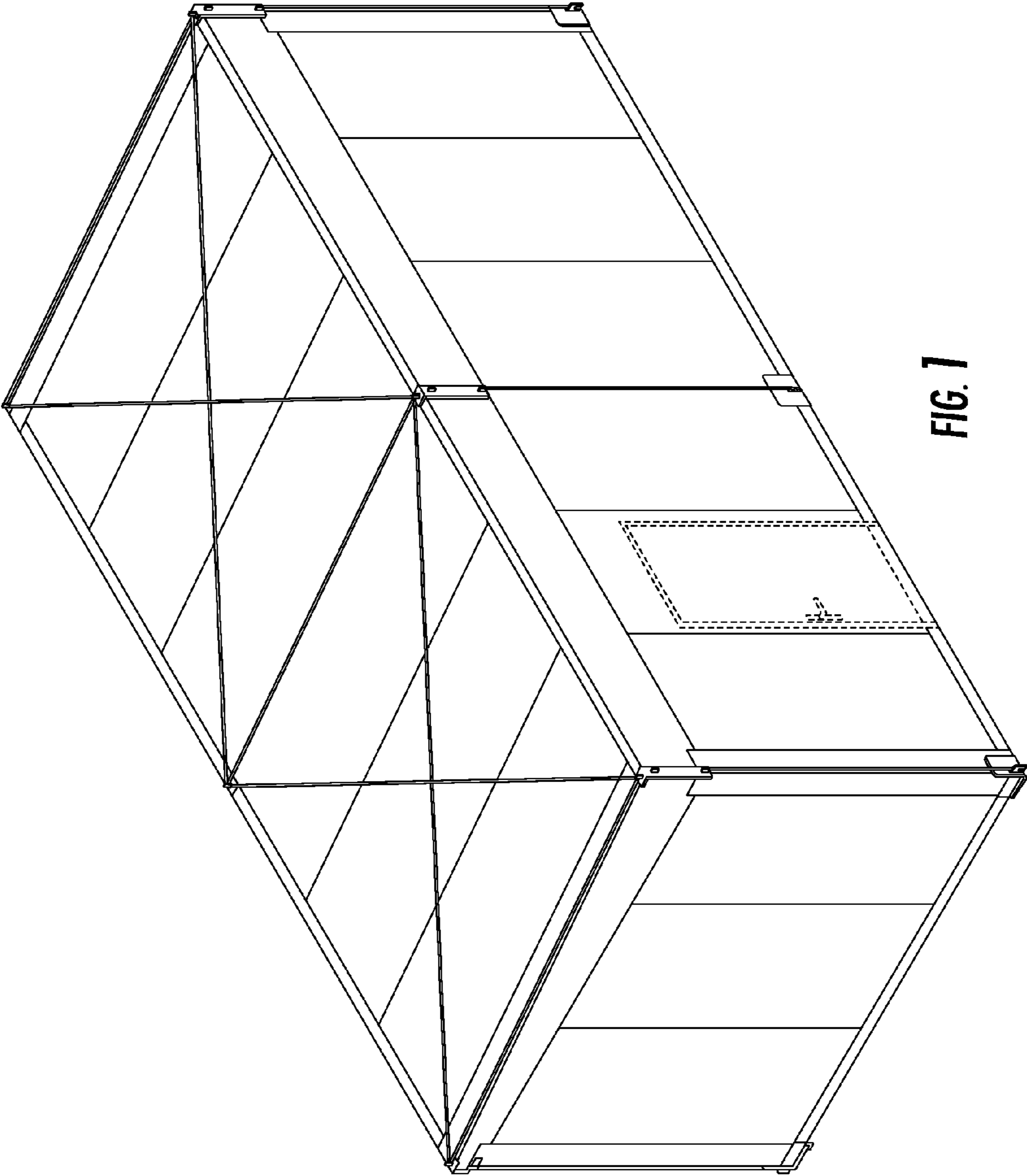


FIG. 1

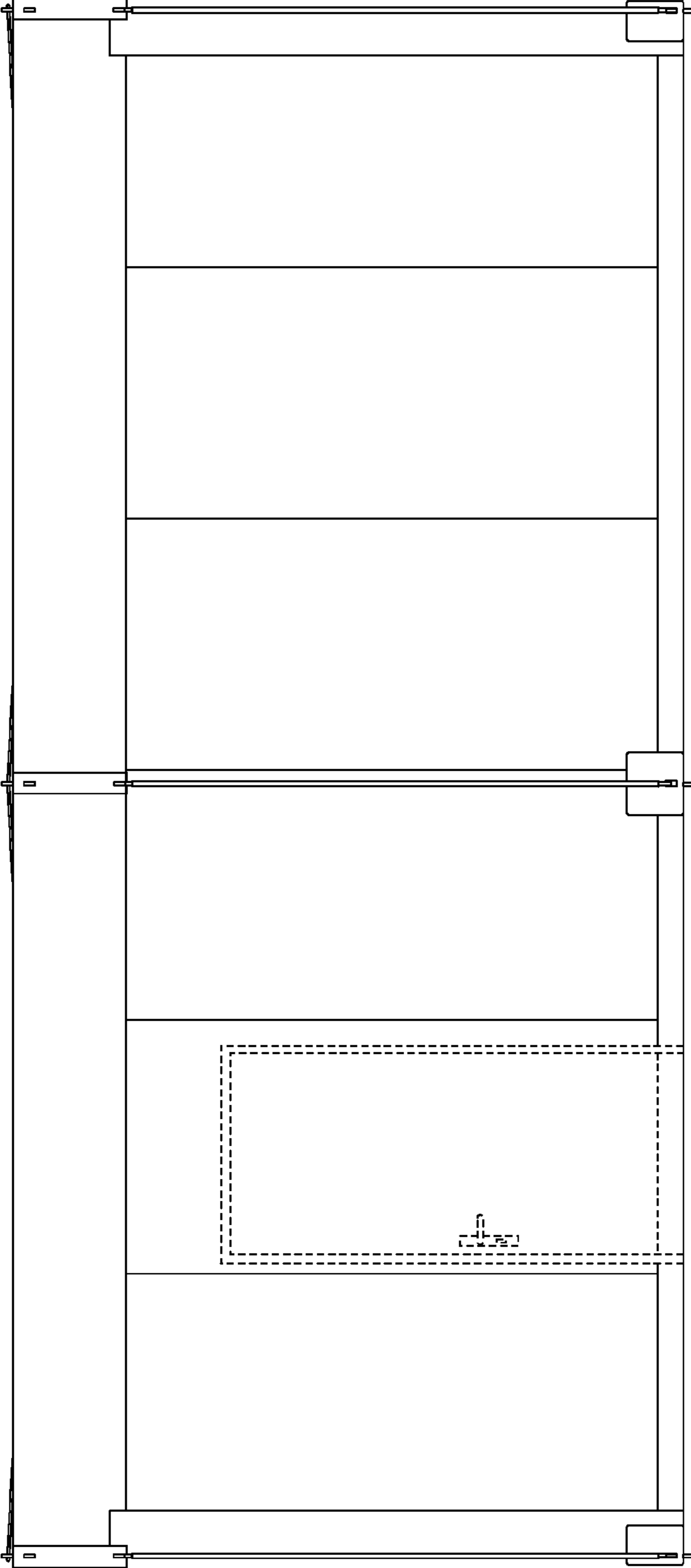


FIG. 2

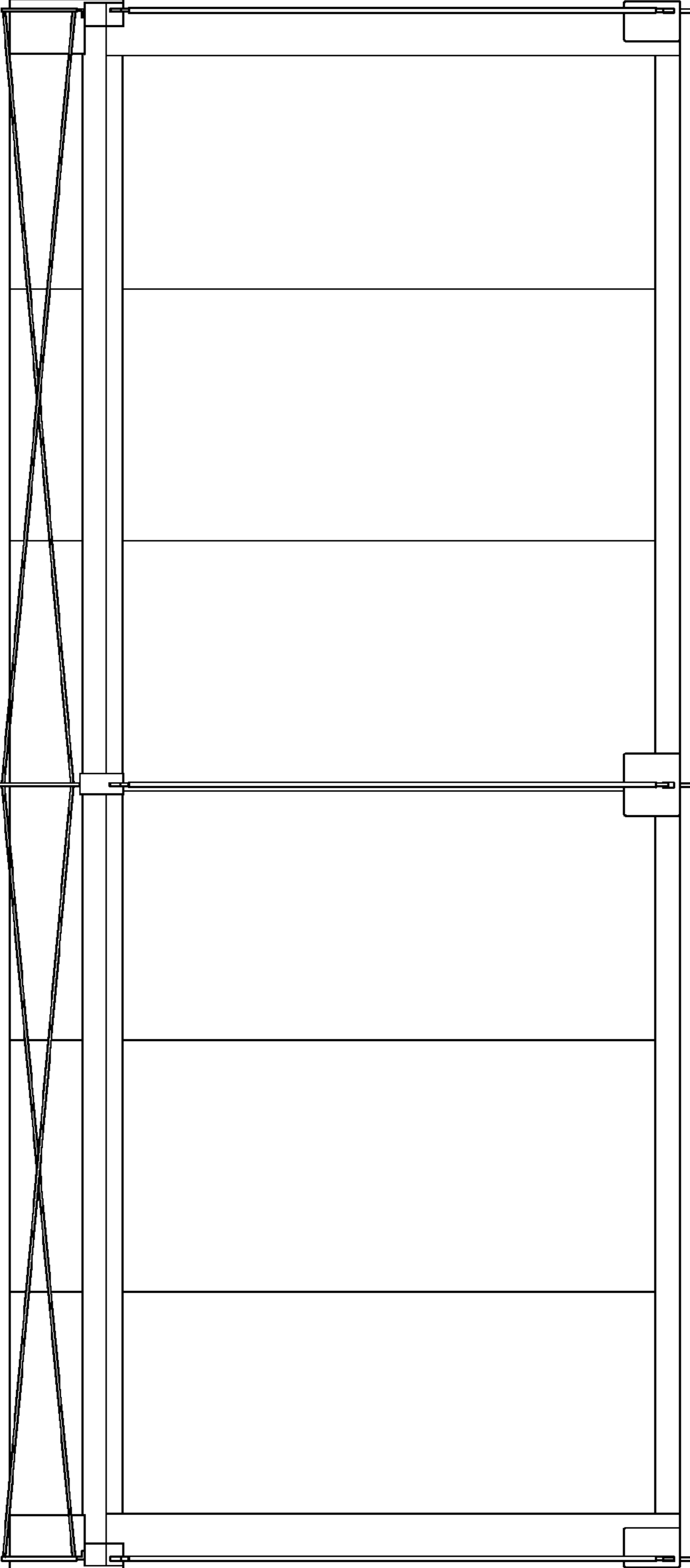


FIG. 3

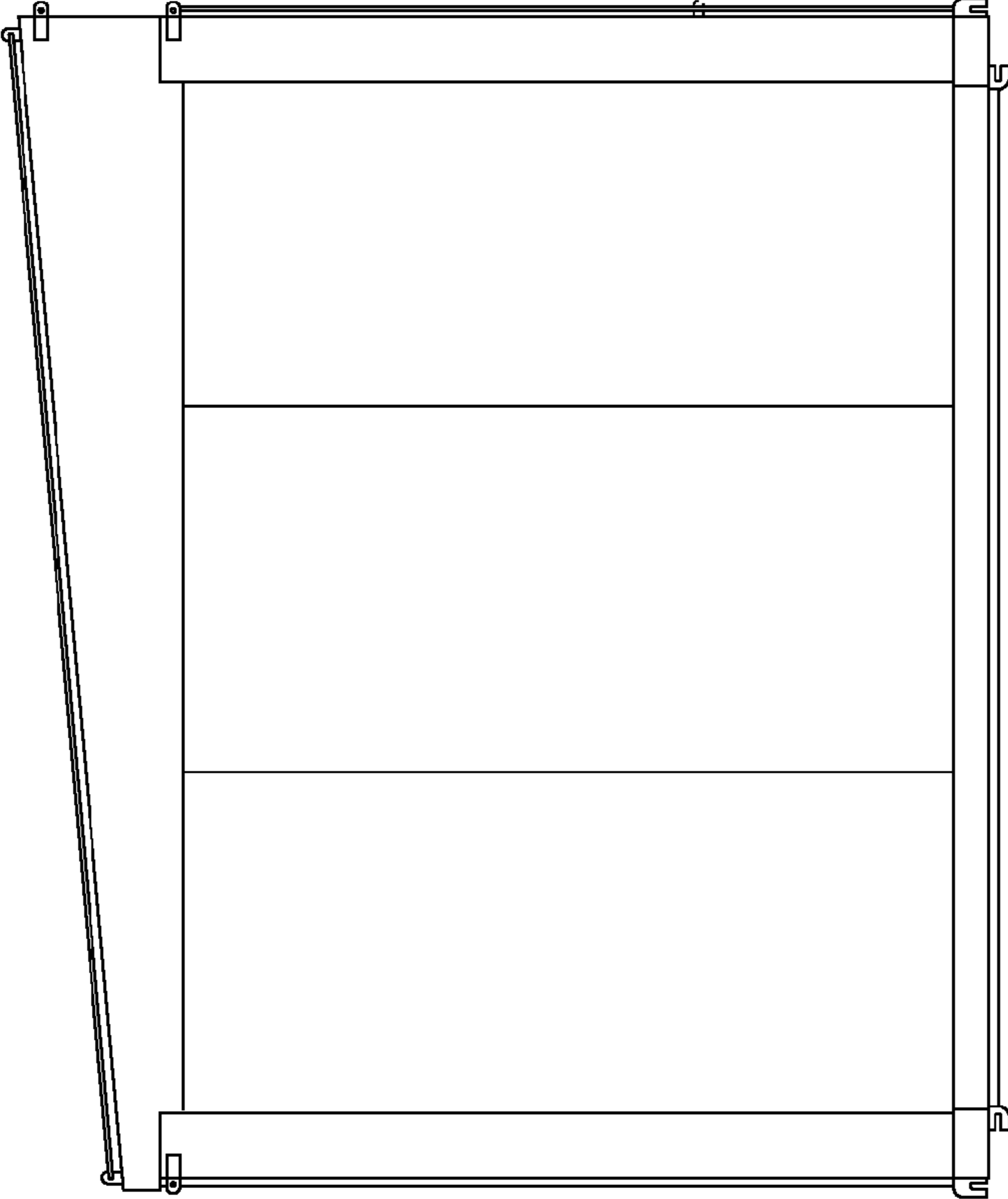


FIG. 4

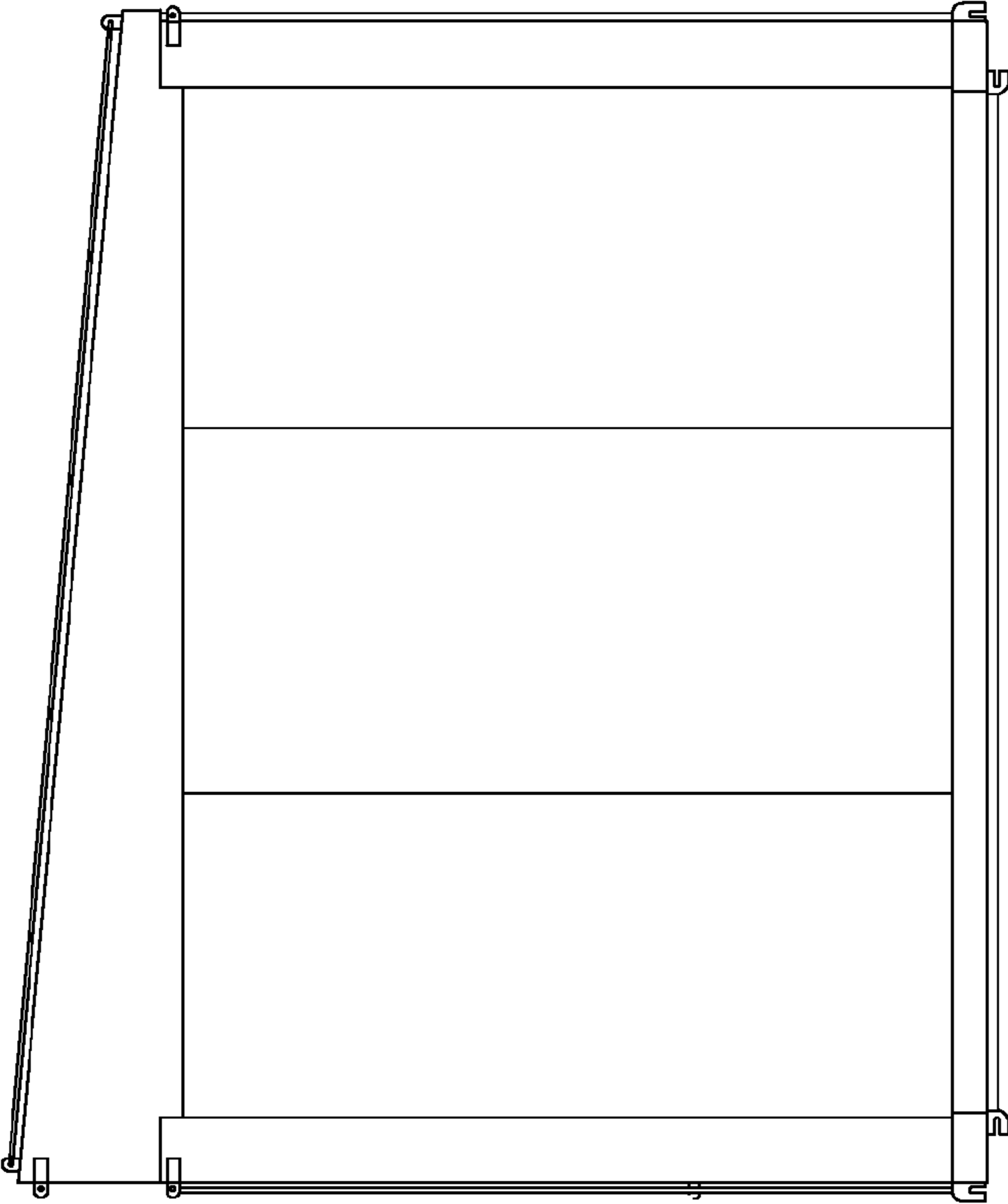


FIG. 5

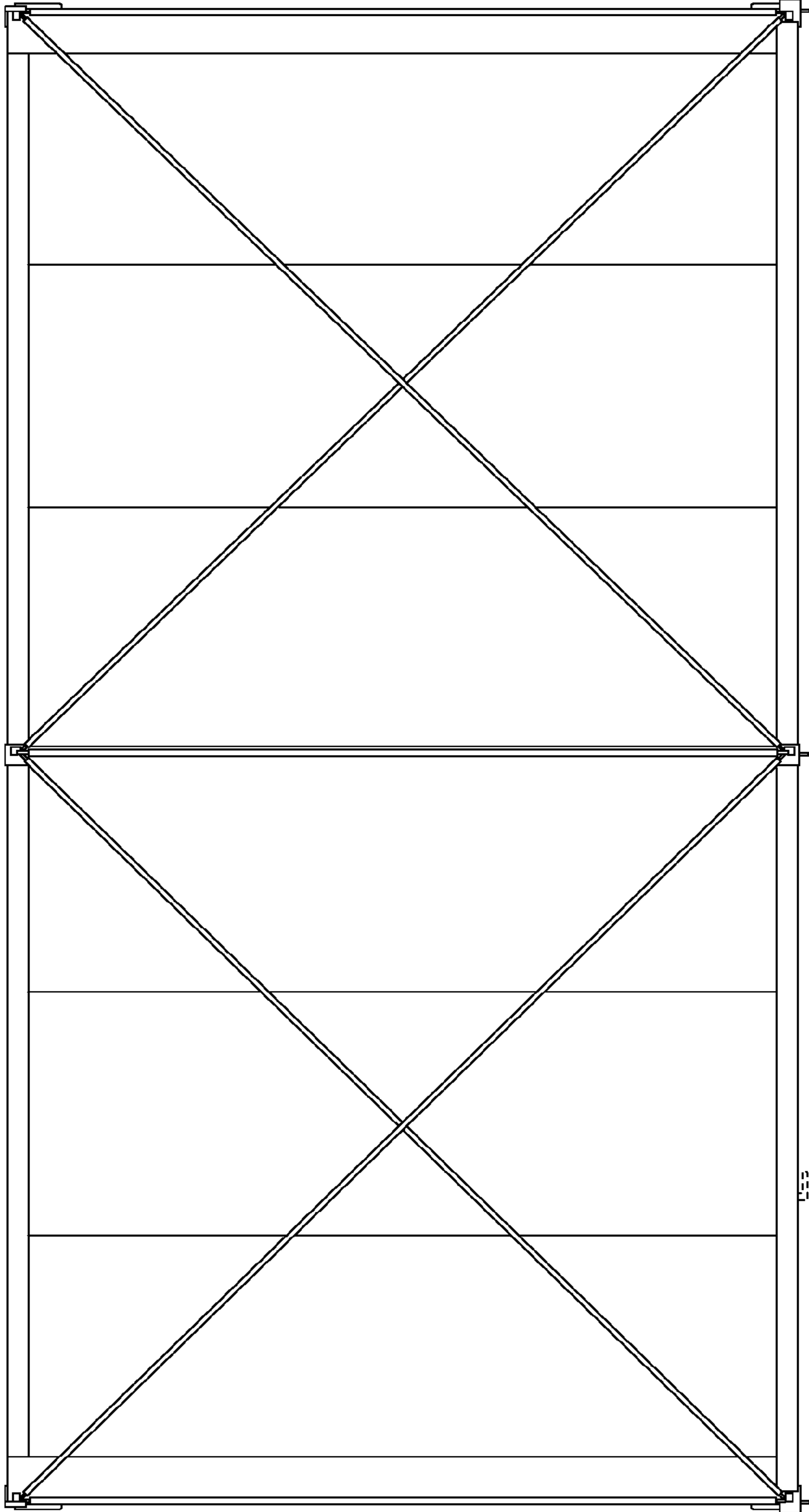


FIG. 6



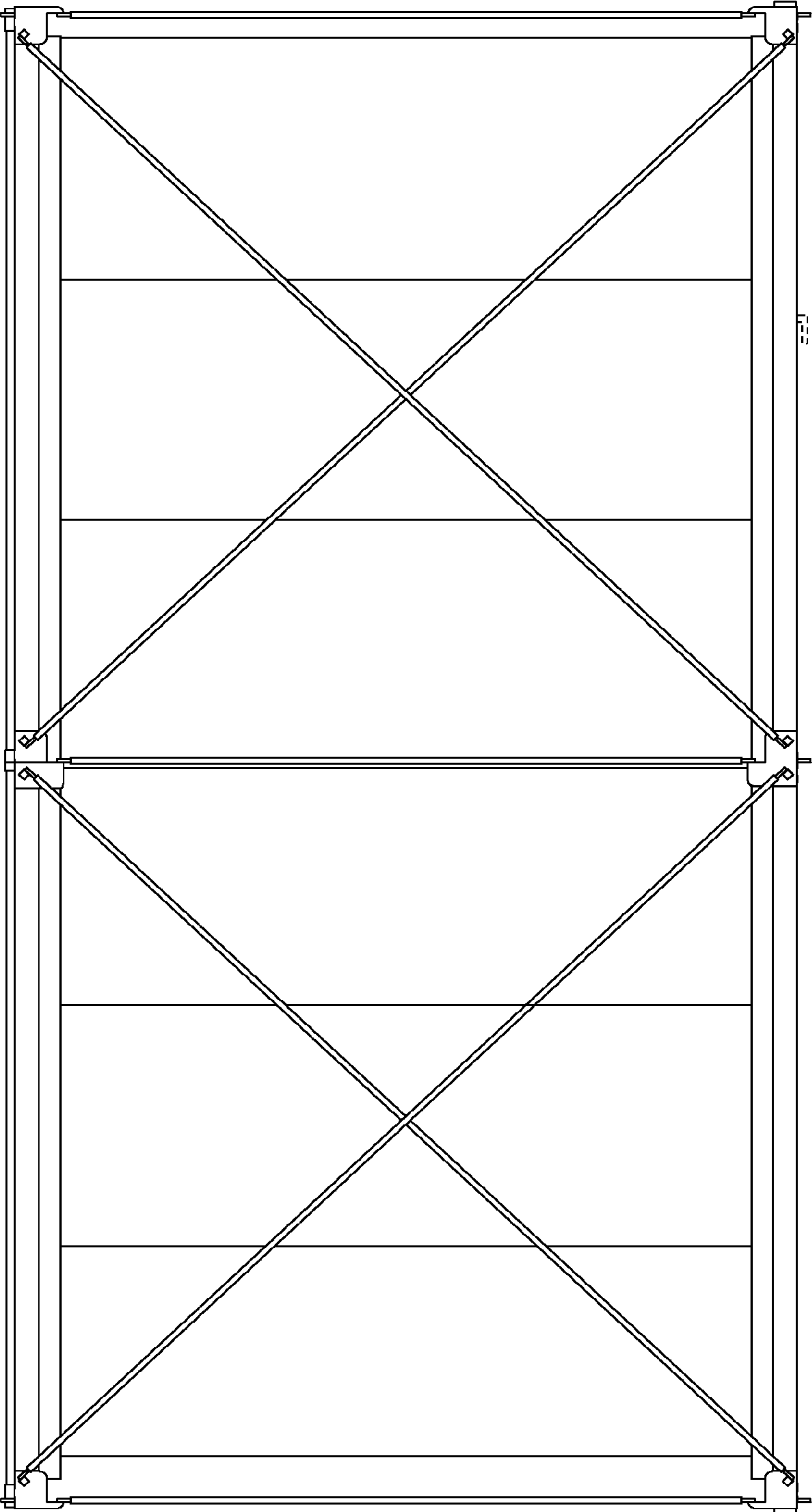


FIG. 7