



US00D739555S

(12) **United States Design Patent**  
**McAlister**

(10) **Patent No.:** **US D739,555 S**  
(45) **Date of Patent:** **\*\* Sep. 22, 2015**

(54) **FOLDING STRUCTURE FOR STORAGE, SHELTER, AND PLANT GROWING**

(71) Applicant: **Rob McAlister Limited**, Leighton Buzzard, Bedfordshire (GB)

(72) Inventor: **Robert Francis McAlister**, Leighton Buzzard (GB)

(73) Assignee: **Rob McAlister Limited**, Leighton Buzzard (GB)

(\*\*) Term: **14 Years**

(21) Appl. No.: **29/490,592**

(22) Filed: **May 12, 2014**

(30) **Foreign Application Priority Data**

Mar. 20, 2014 (EM) ..... 001406524

(51) **LOC (10) Cl.** ..... **25-03**

(52) **U.S. Cl.**  
USPC ..... **D25/18**

(58) **Field of Classification Search**  
USPC ..... D25/1-33, 35; 52/64, 66, 71, 77, 79.4, 52/79.5, 79.9, 79.12, 81.2, 83, 245; D21/837, 838, 836  
CPC ..... E04B 1/34357; E04B 1/34363; E04B 1/34373; E04H 15/00  
See application file for complete search history.

(56) **References Cited**

**U.S. PATENT DOCUMENTS**

2,266,853 A \* 12/1941 Dabney ..... 135/126  
2,856,942 A \* 10/1958 Scott ..... 135/132  
3,082,780 A \* 3/1963 Macy ..... 135/130  
3,154,888 A \* 11/1964 Graham ..... 52/81.4  
D206,420 S \* 12/1966 Tecton ..... D24/209  
3,365,855 A \* 1/1968 Vermette ..... 52/745.07  
3,496,686 A \* 2/1970 Bird ..... 52/2.25  
3,848,615 A \* 11/1974 Warner et al. .... 135/132  
3,950,901 A \* 4/1976 Sumner ..... 52/81.3

4,098,281 A \* 7/1978 Bonfilio ..... 135/130  
4,106,520 A \* 8/1978 Warner et al. .... 135/133  
4,227,542 A \* 10/1980 Bonfilio ..... 135/132  
D287,041 S \* 12/1986 Gitchel et al. .... D21/837

(Continued)

*Primary Examiner* — Eric Goodman

*Assistant Examiner* — Amy Wierenga

(74) *Attorney, Agent, or Firm* — Knobbe Martens Olson & Bear LLP

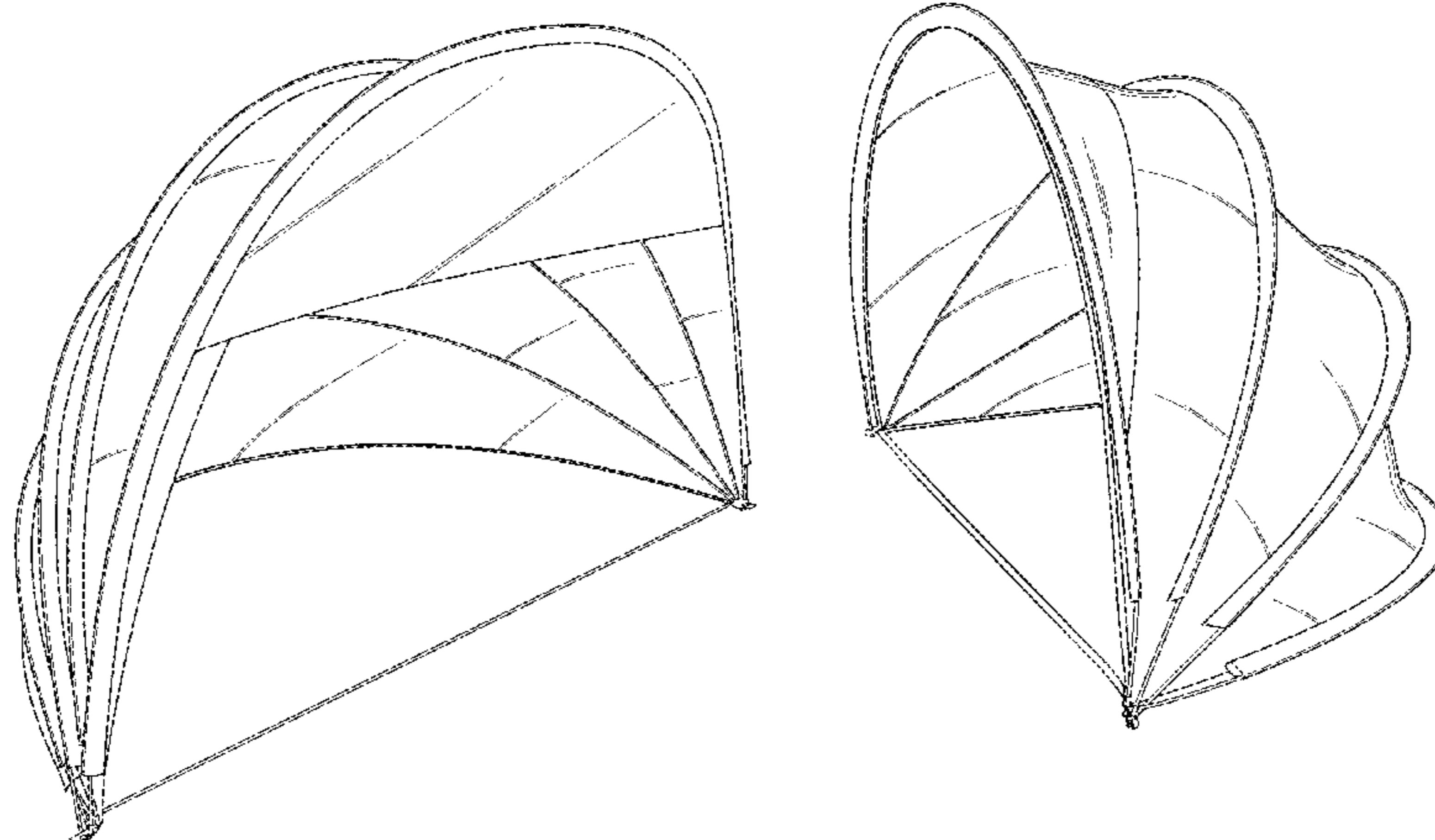
(57) **CLAIM**

The ornamental design for a folding structure for storage, shelter, and plant growing, as shown and described.

**DESCRIPTION**

FIG. 1 is a front, side perspective view of a first embodiment of the folding structure for storage, shelter, and plant growing, showing my new design;  
FIG. 2 is a right side elevational view thereof;  
FIG. 3 is a left side elevational view thereof;  
FIG. 4 is a front elevational view thereof;  
FIG. 5 is a rear elevational view thereof; and  
FIG. 6 is a top plan view thereof.  
FIG. 7 is a left side perspective view of a second embodiment of the folding structure for storage, shelter, and plant growing;  
FIG. 8 is a right side perspective view thereof;  
FIG. 9 is a right side elevational view thereof;  
FIG. 10 is a left side elevational view thereof;  
FIG. 11 is a front elevational view thereof;  
FIG. 12 is a rear elevational view thereof; and  
FIG. 13 is a top plan view thereof.  
FIG. 14 is a front, side perspective view of a third embodiment of the folding structure for storage, shelter, and plant growing;  
FIG. 15 is a right side elevational view of FIG. 14, the left side elevational view being a mirror image thereof;  
FIG. 16 is a rear elevational view thereof;  
FIG. 17 is a front elevational view thereof; and,  
FIG. 18 is a top plan view.

**1 Claim, 18 Drawing Sheets**



(56)

**References Cited**

U.S. PATENT DOCUMENTS

4,833,837	A *	5/1989	Bonneau .....	52/2.19	7,013,904	B2 *	3/2006	Kofler .....	135/132
5,004,001	A *	4/1991	Bouchard .....	135/97	D535,349	S *	1/2007	Shinner et al. ....	D21/834
5,085,240	A *	2/1992	Littledeer .....	135/132	D549,836	S *	8/2007	Desbiens .....	D25/19
5,655,559	A *	8/1997	Zembik et al. ....	135/132	D574,918	S *	8/2008	McAlister .....	D21/834
D398,062	S *	9/1998	Lockhart .....	D25/16	D643,131	S *	8/2011	Howard .....	D25/15
D418,611	S *	1/2000	Montague, III .....	D25/56	D651,678	S *	1/2012	Muggleton .....	D21/834
D419,211	S *	1/2000	Lanham .....	D21/705	8,360,084	B1 *	1/2013	Robinson .....	135/133
D421,131	S *	2/2000	Lynch .....	D25/34	D679,771	S *	4/2013	Muggleton .....	D21/834
D425,166	S *	5/2000	Mattson .....	D21/837	D721,153	S *	1/2015	Shirley-Smith .....	D21/837
					D725,735	S *	3/2015	Pescovitz .....	D21/838
					2007/0295380	A1 *	12/2007	Glaeser .....	135/133

\* cited by examiner

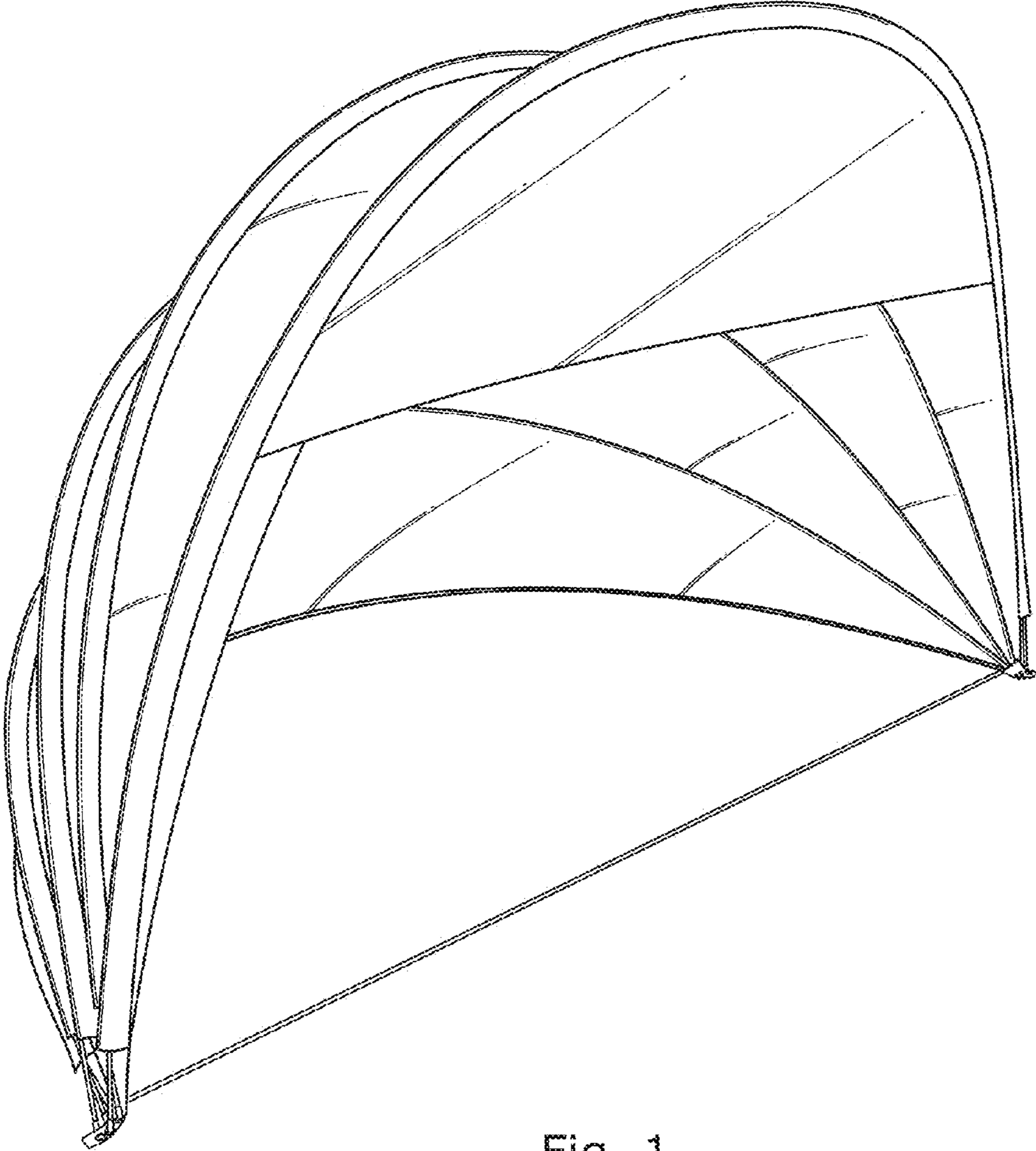


Fig. 1

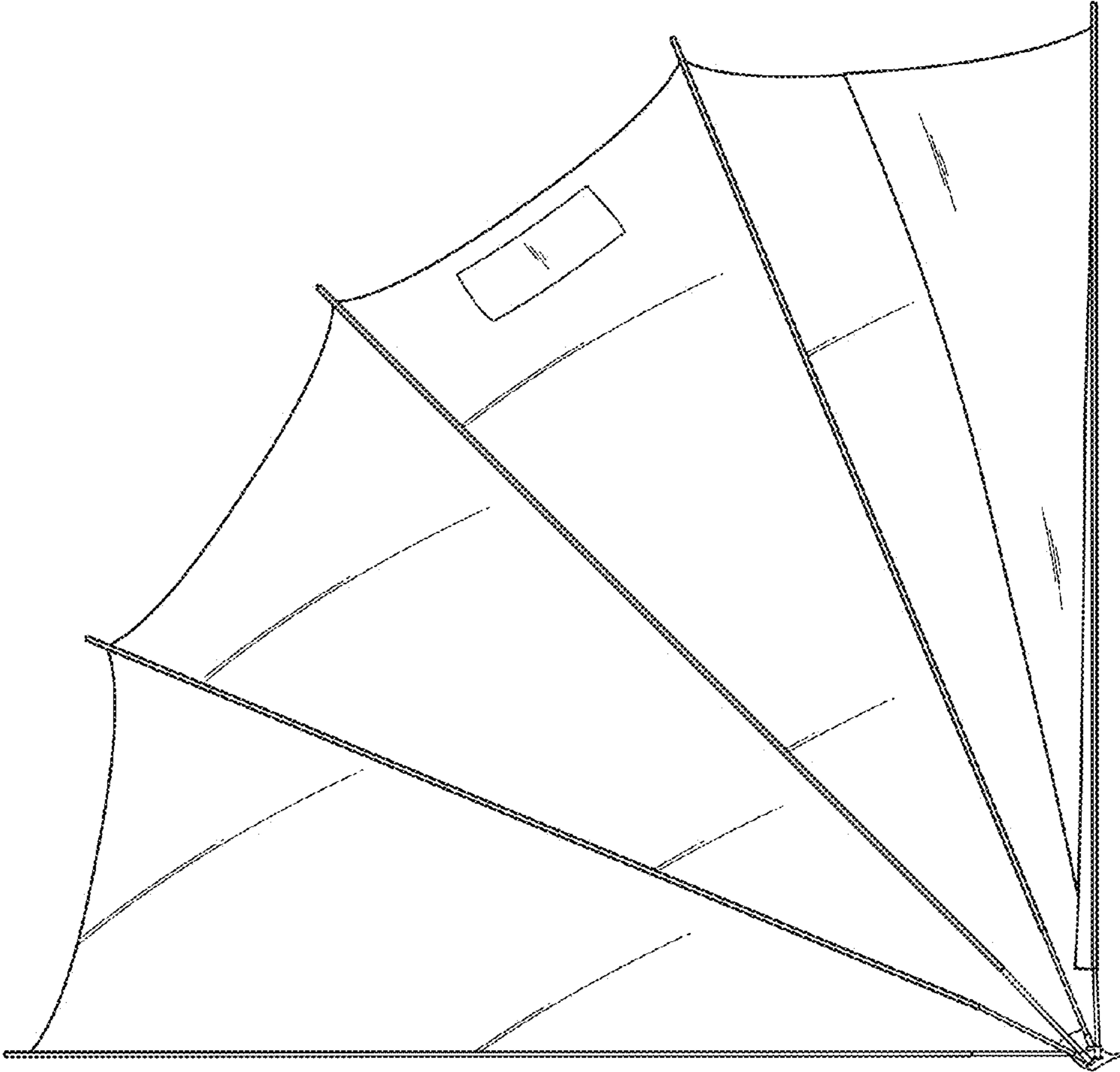


Fig. 2

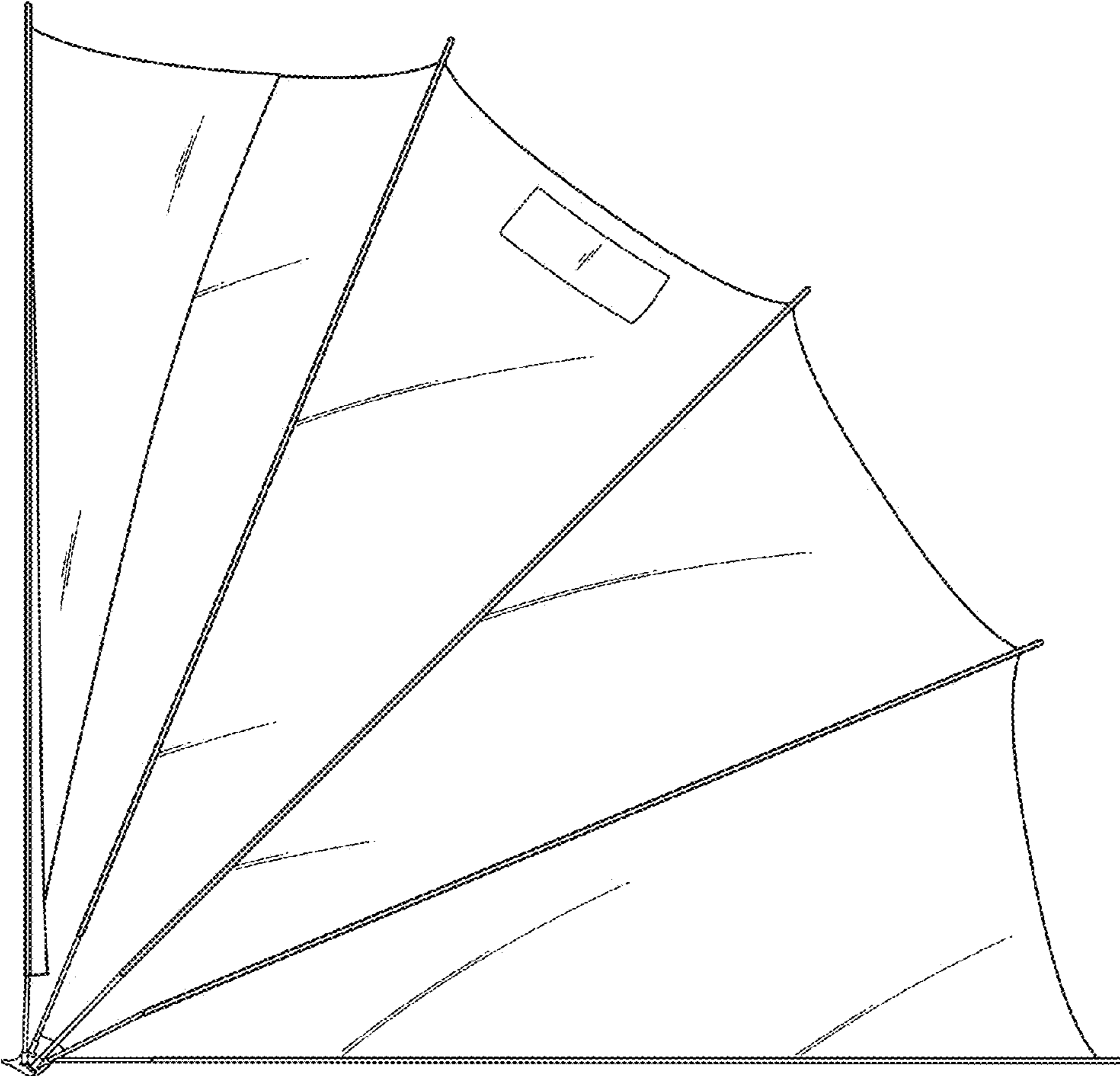


Fig. 3

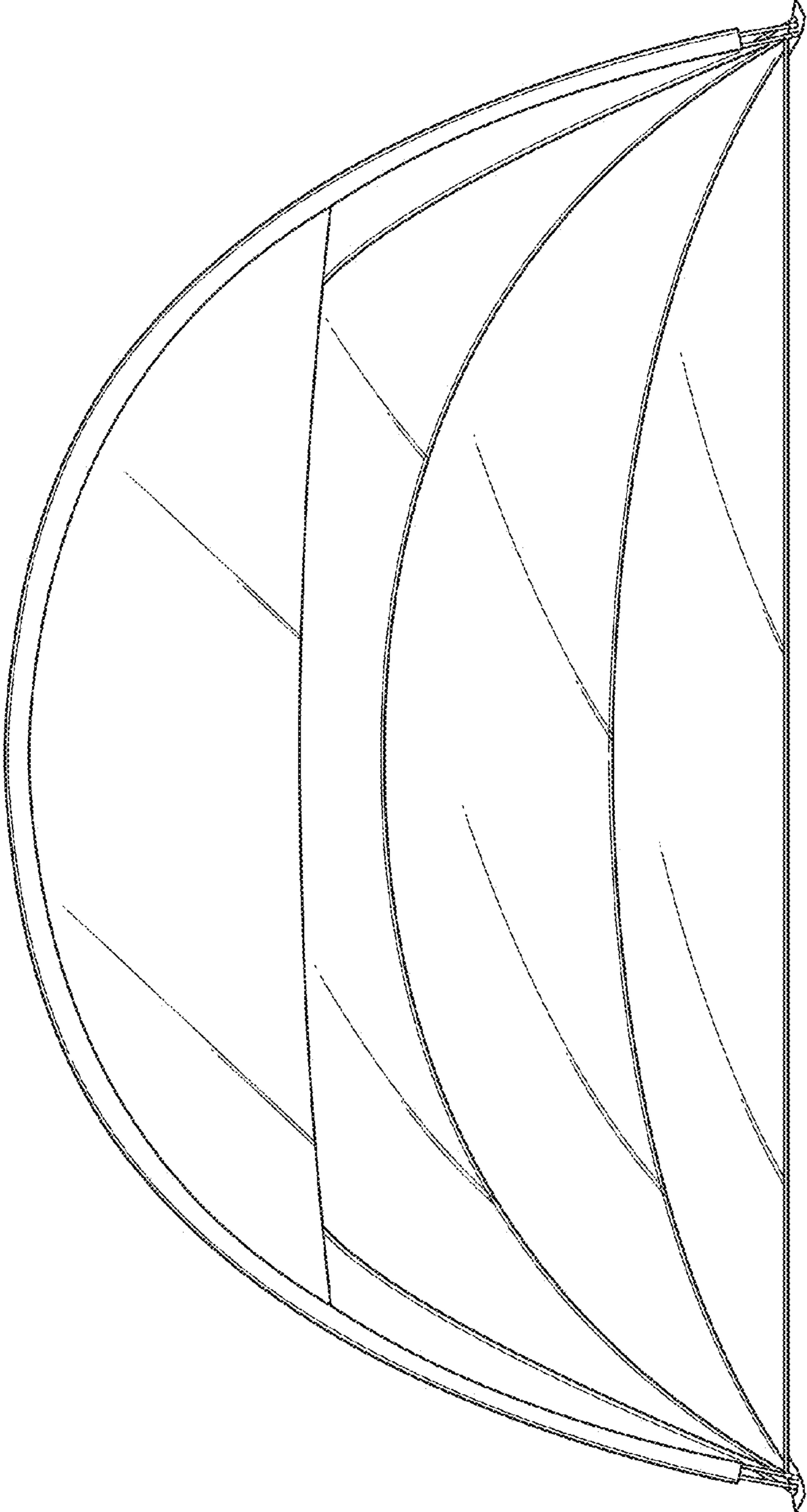


Fig. 4

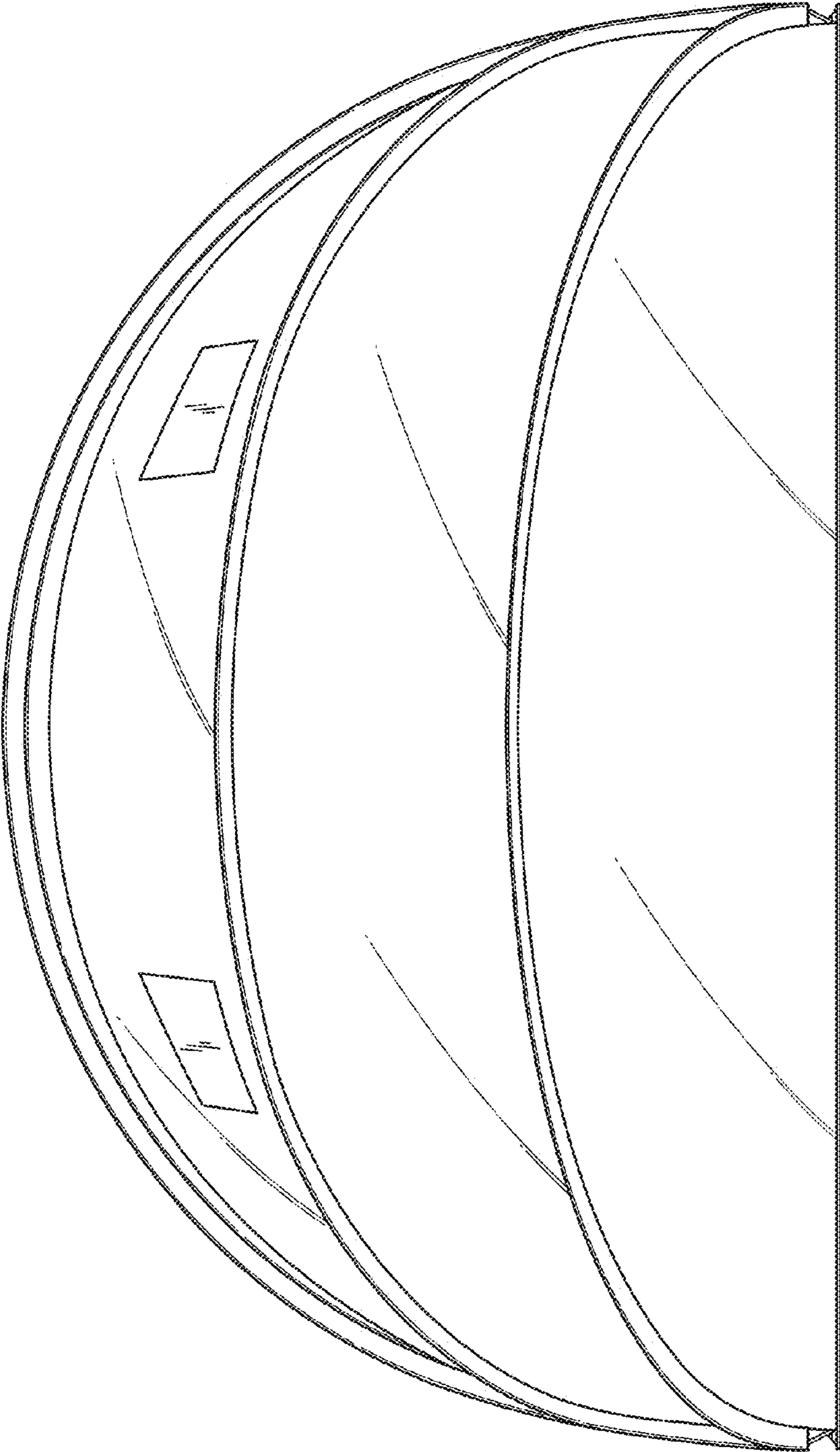


Fig. 5

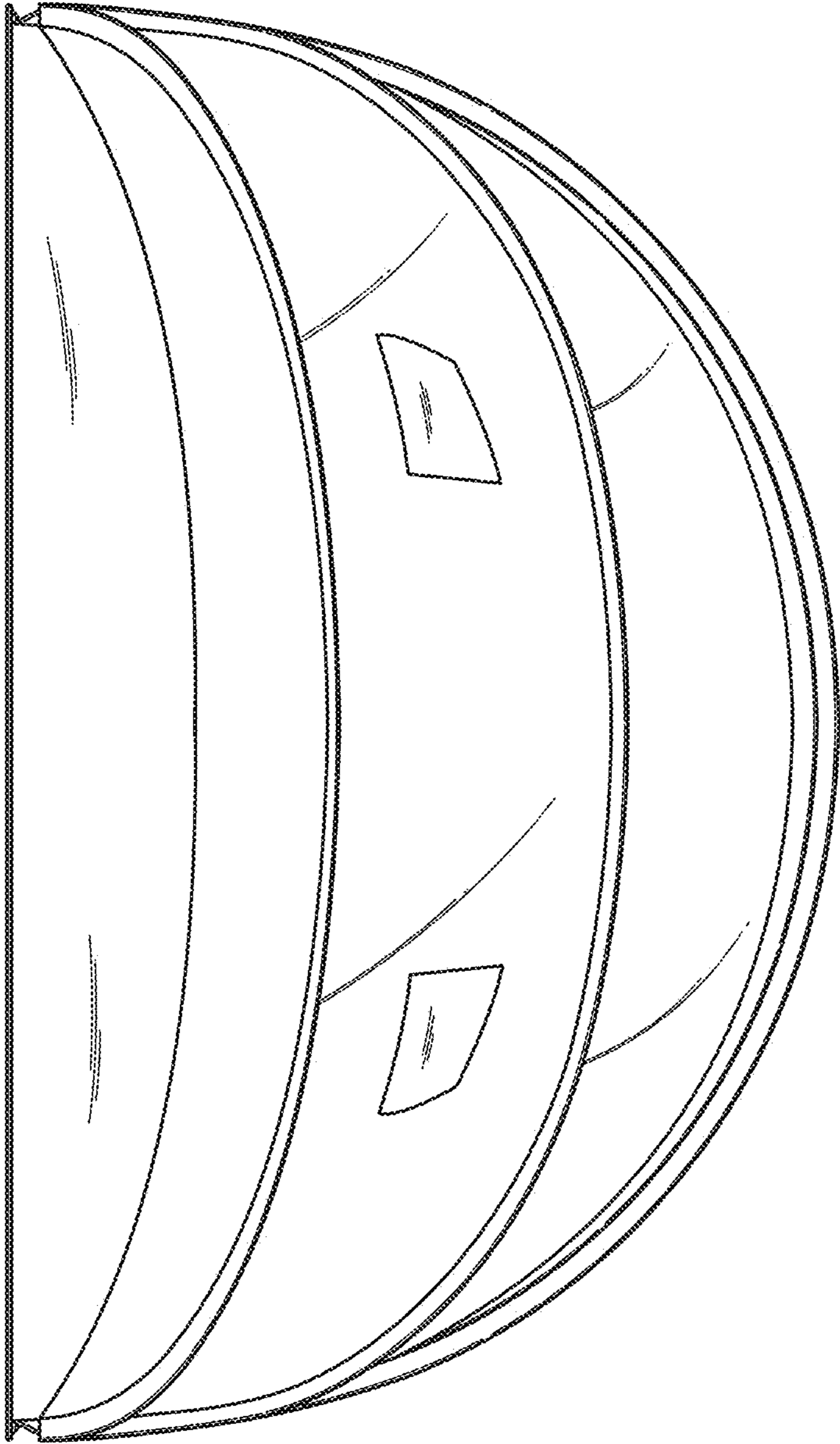


Fig. 6



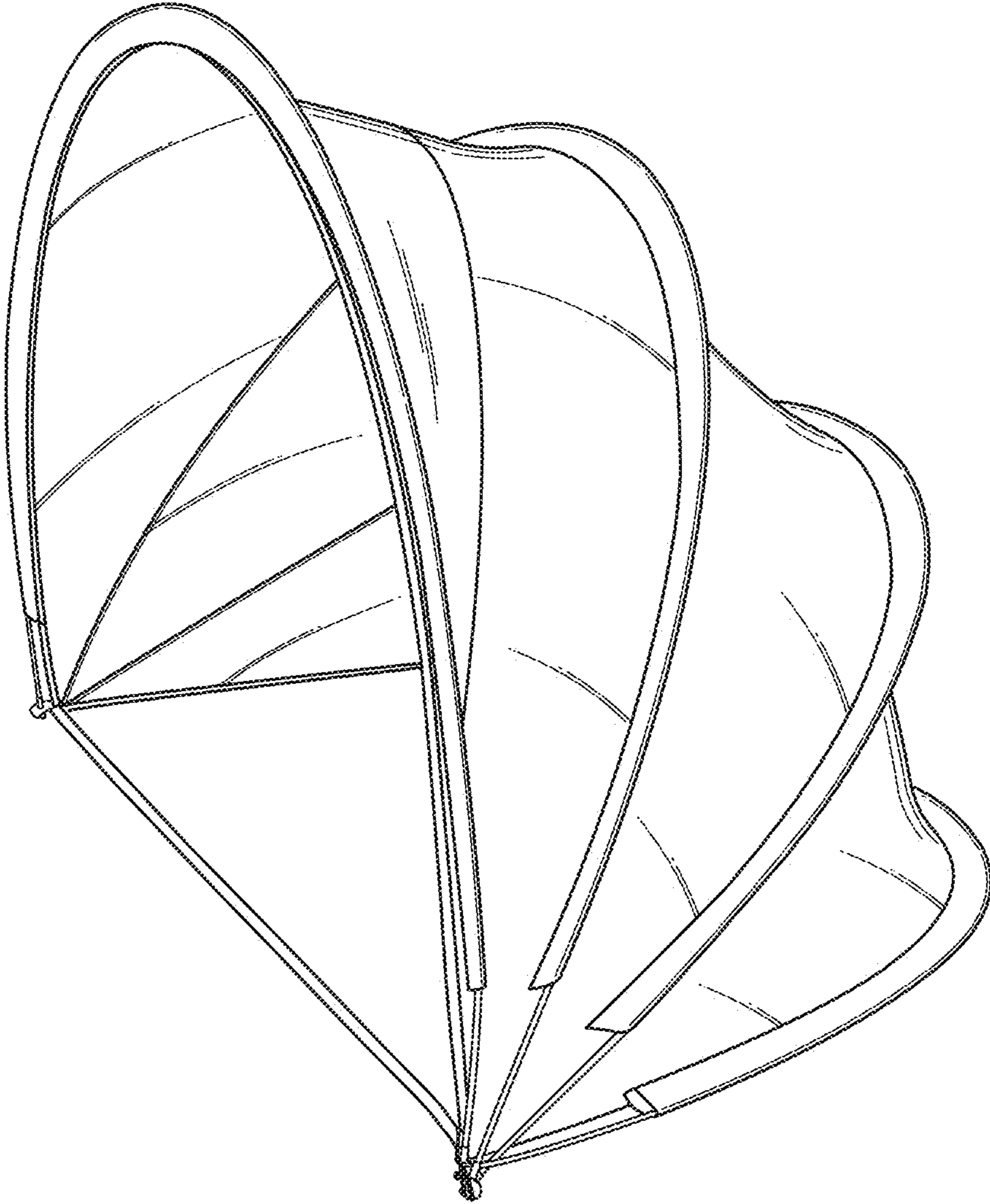


Fig. 7

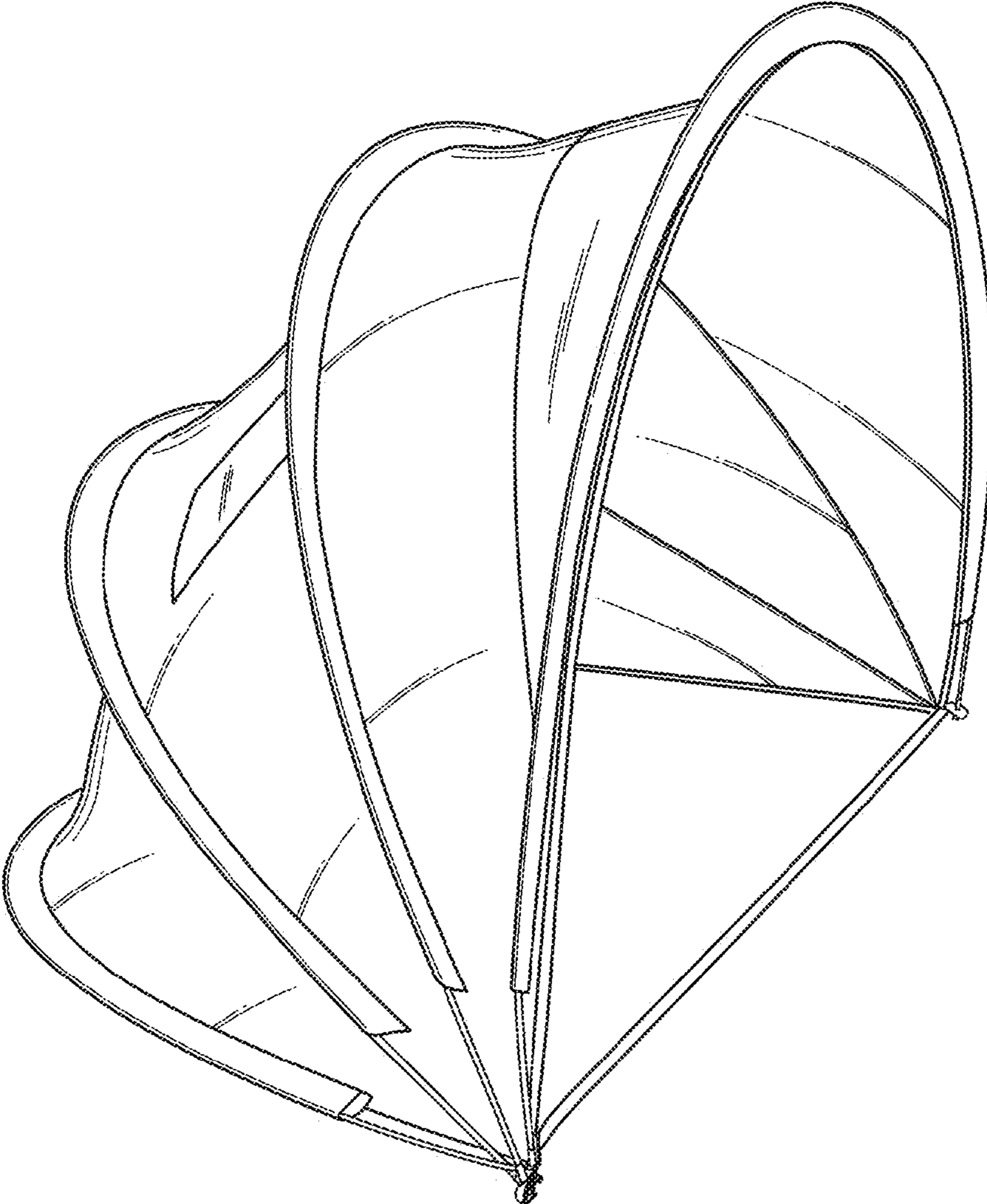


Fig. 8

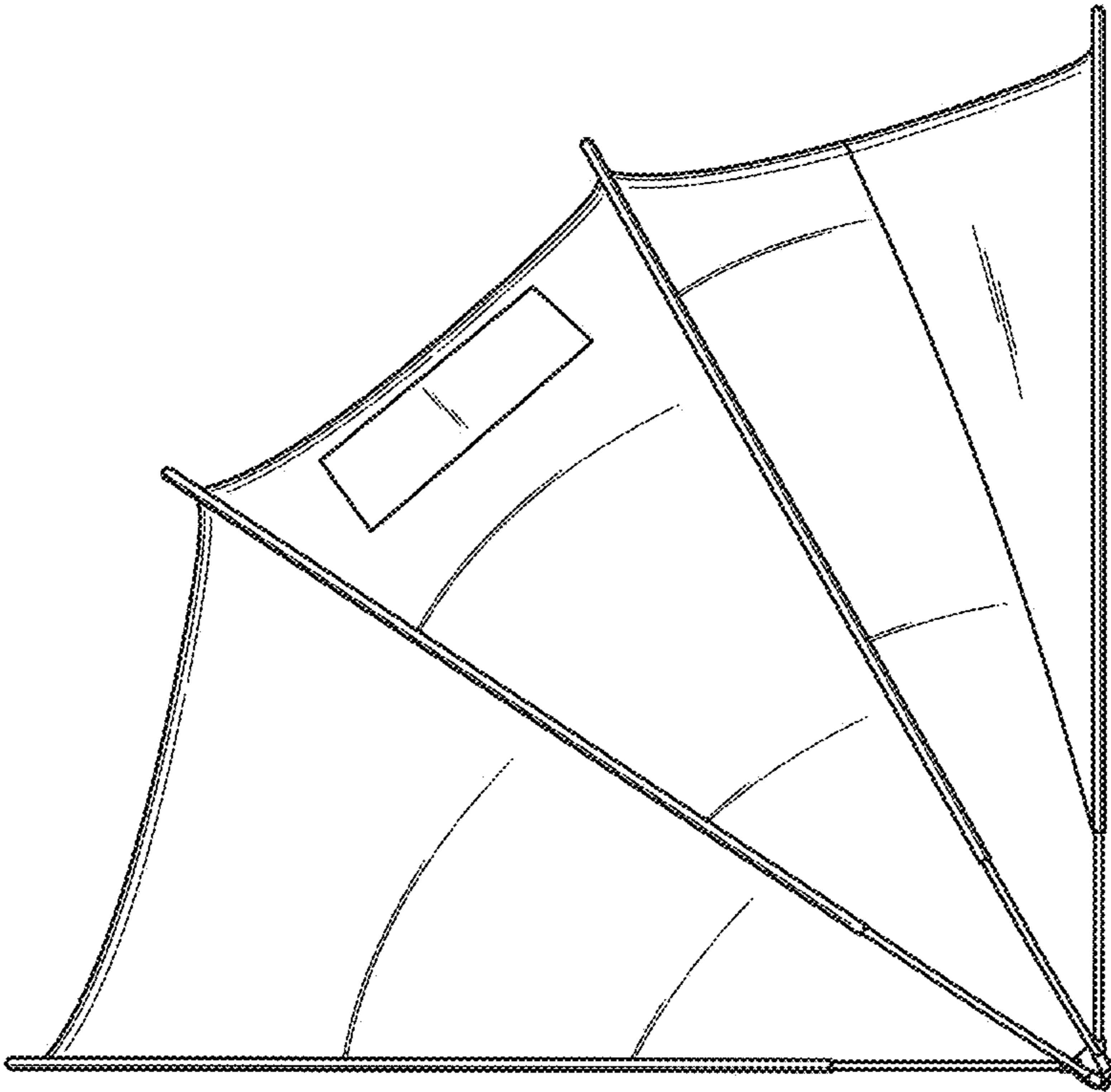


Fig. 9

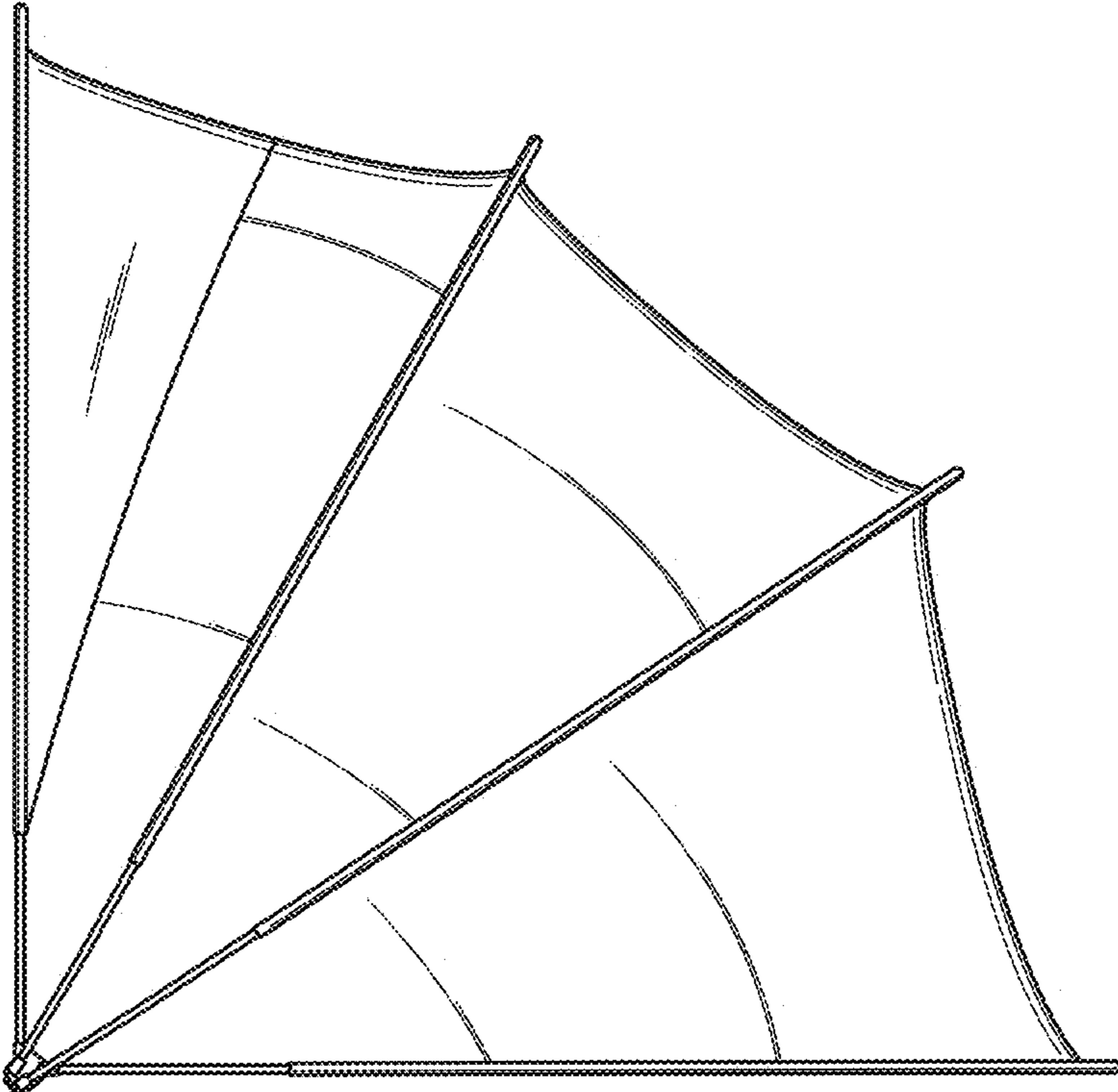


Fig. 10

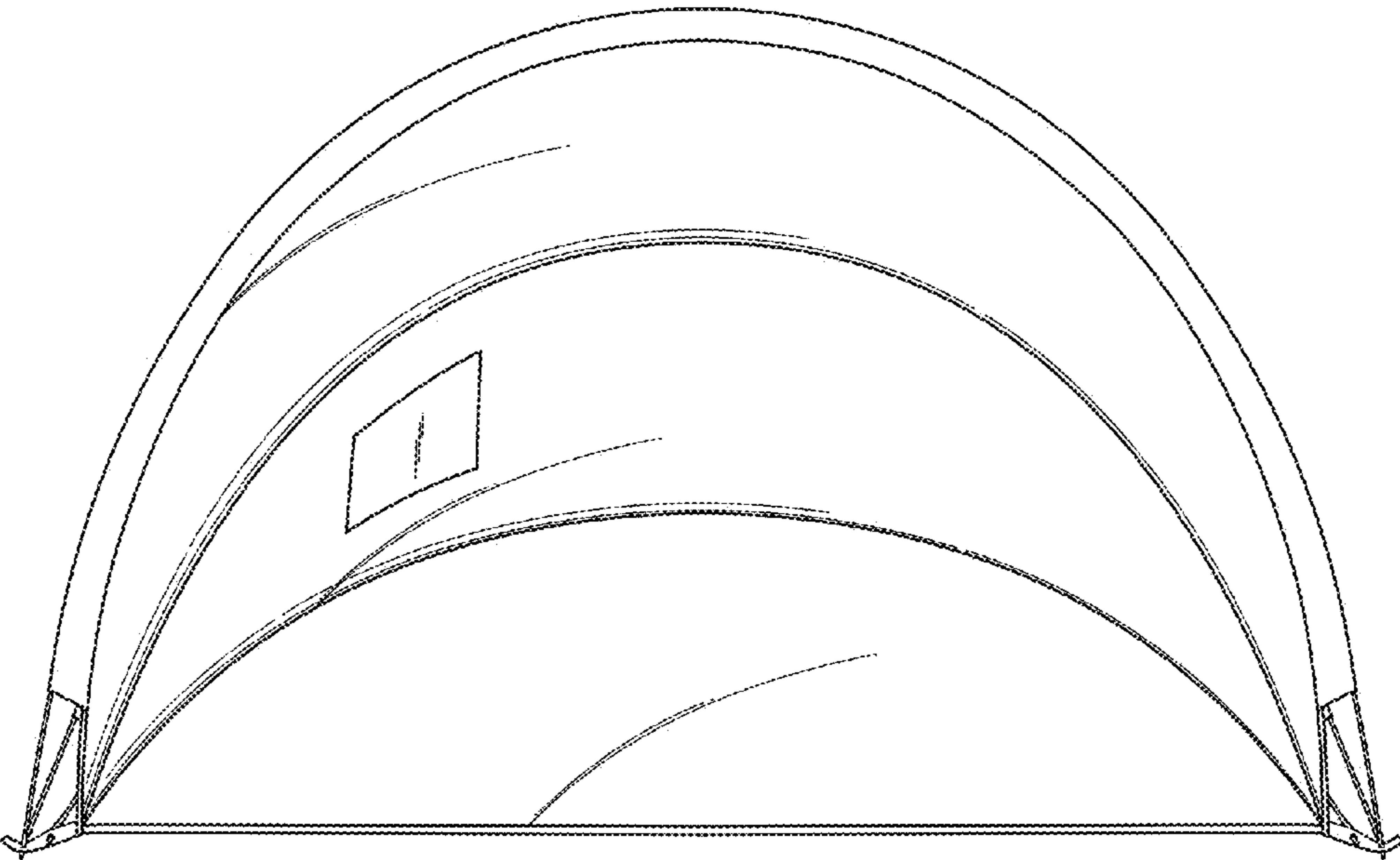


Fig. 11

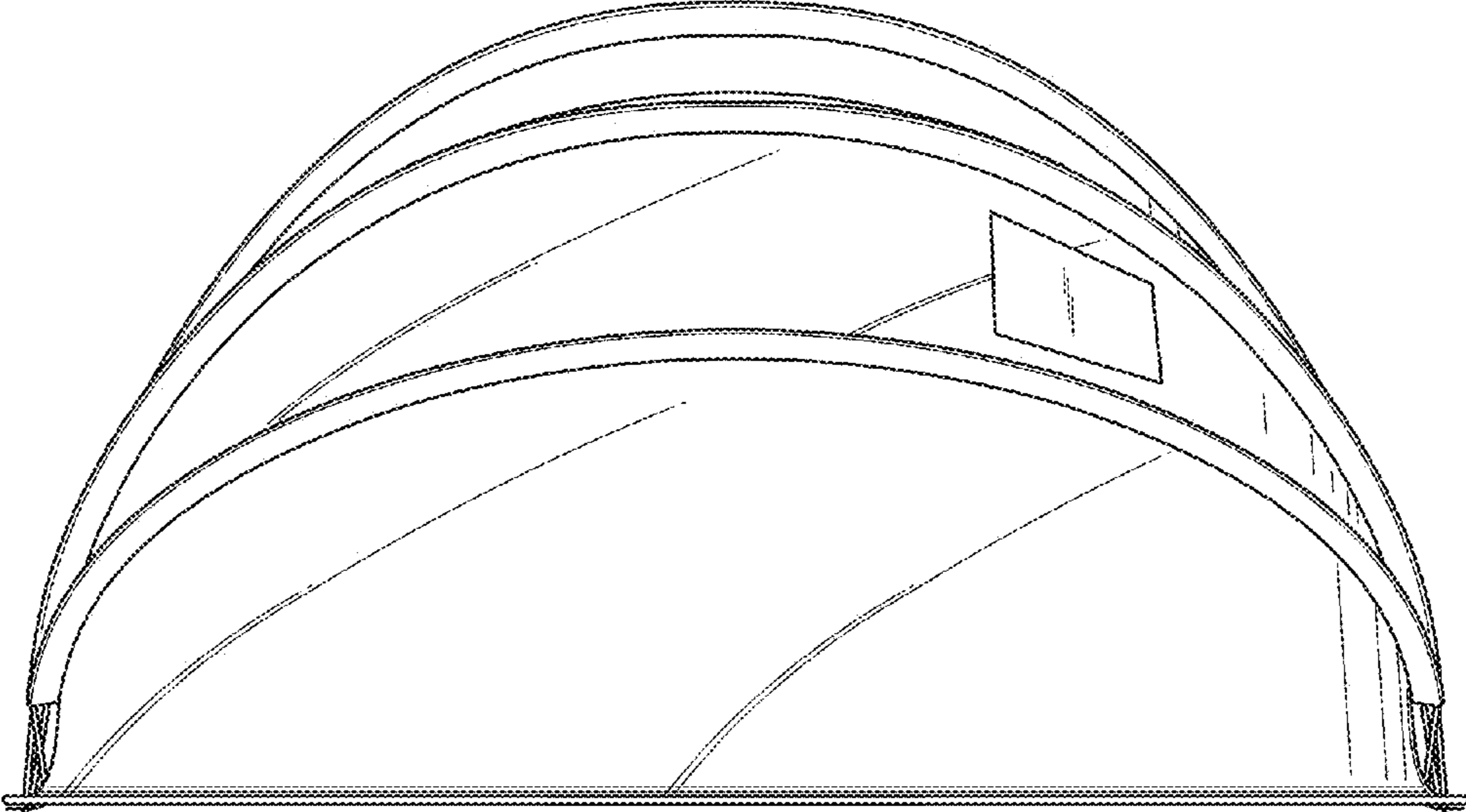


Fig. 12

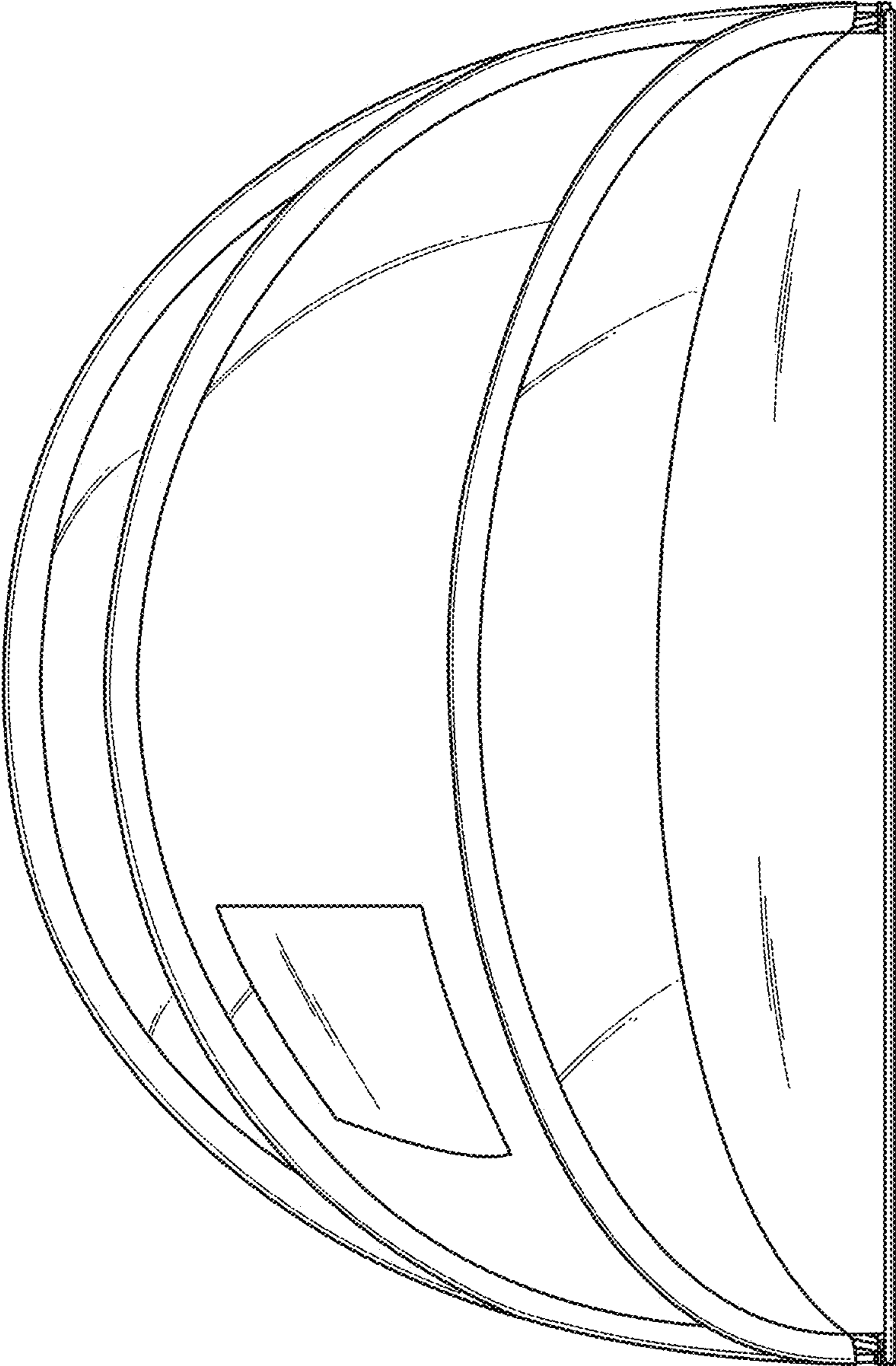


Fig. 13

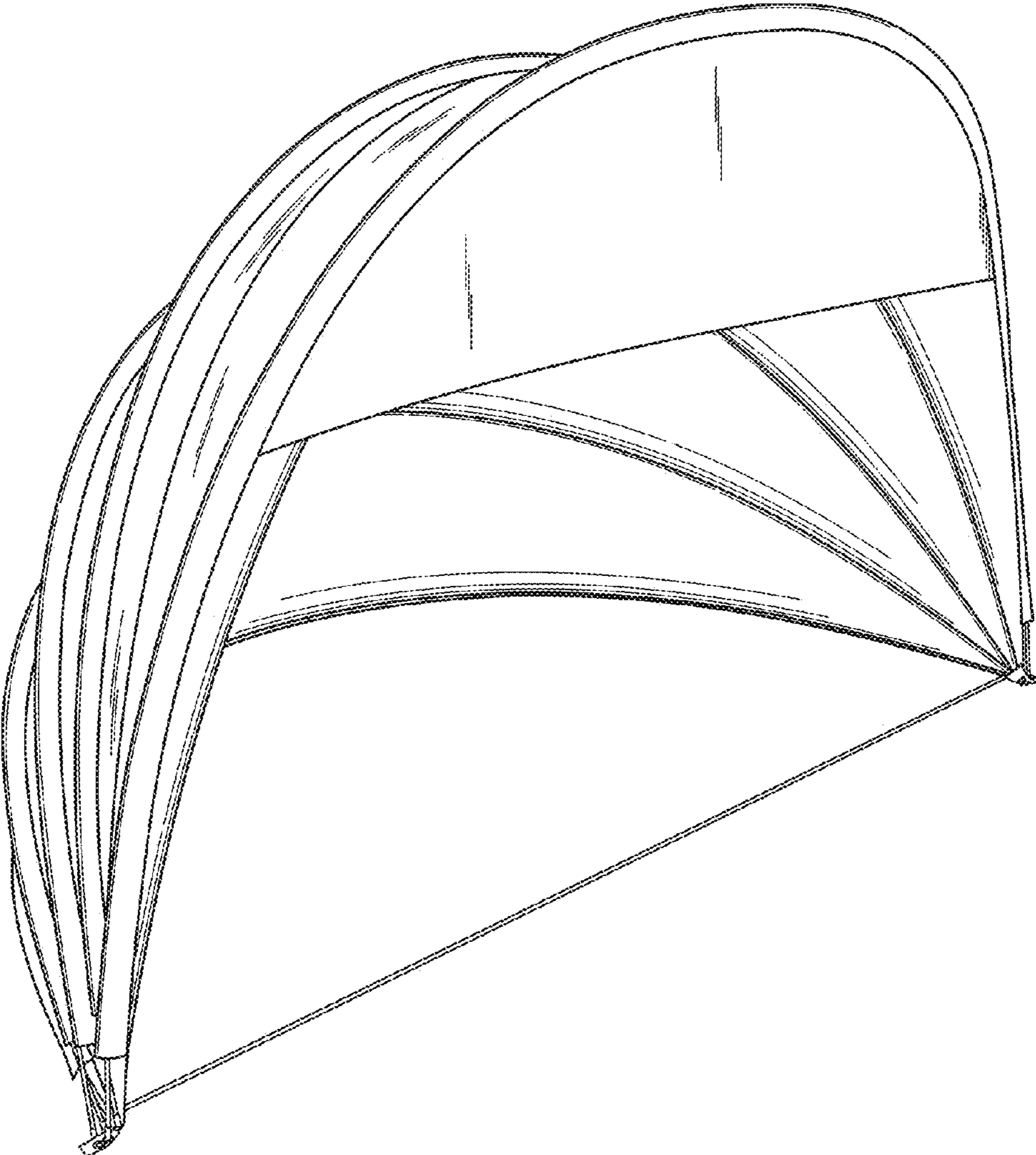


Fig. 14



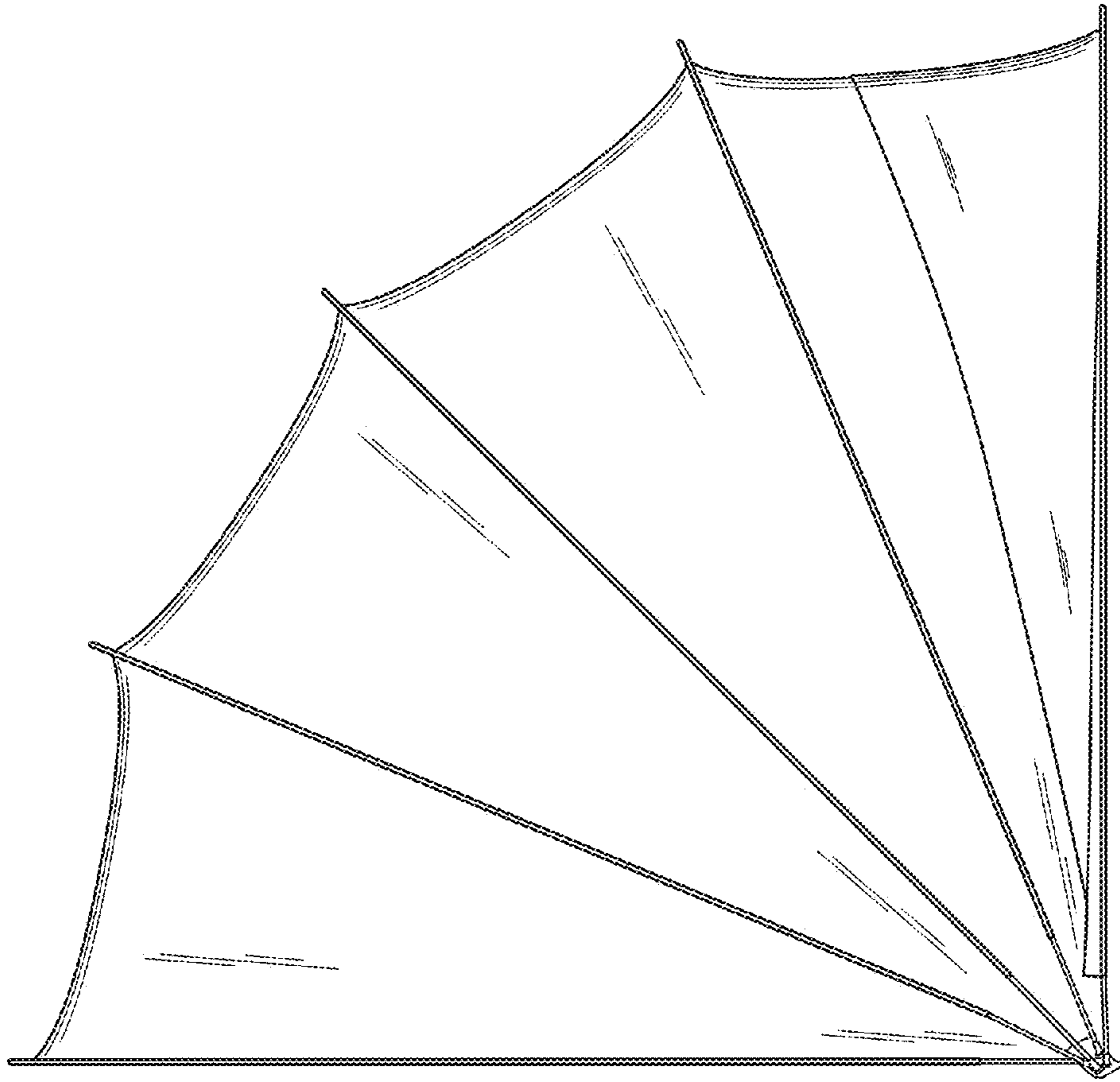


Fig. 15

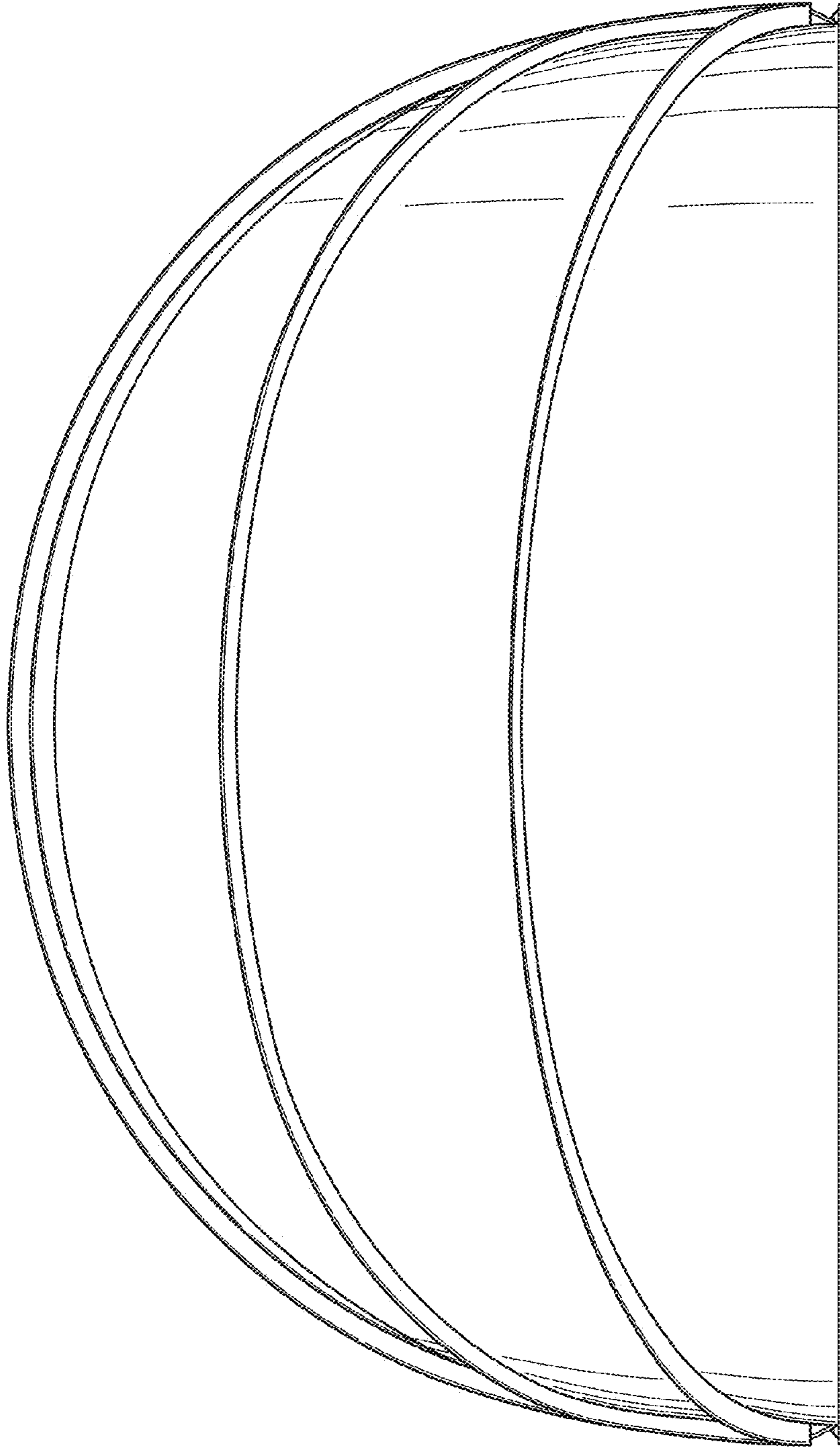


Fig. 16

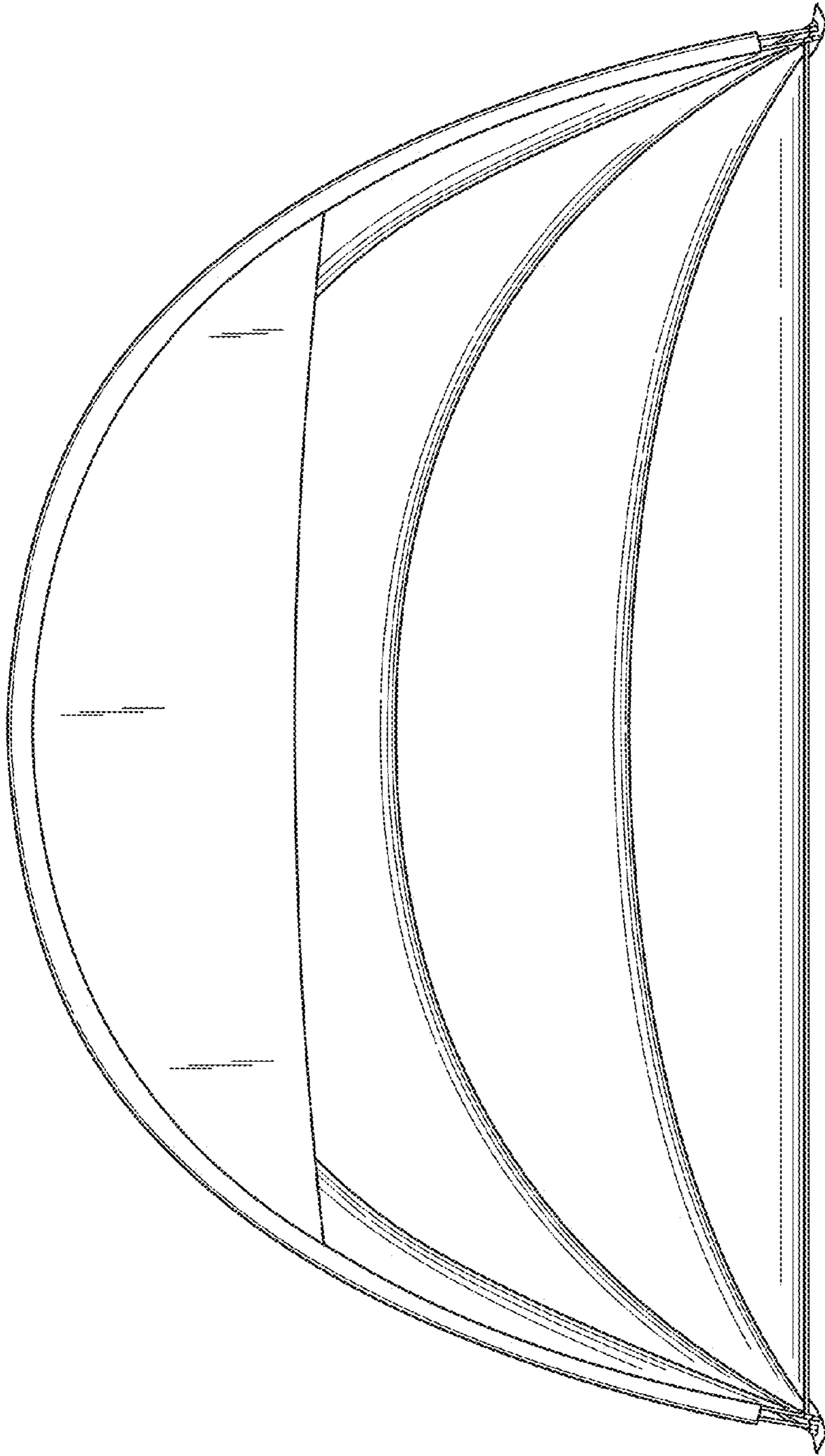


Fig. 17



Fig. 18