

US00D739554S

(12) **United States Design Patent**  
**Poirier et al.**

(10) **Patent No.:** **US D739,554 S**

(45) **Date of Patent:** **\*\* Sep. 22, 2015**

(54) **PORTION OF MODULAR LABORATORY FURNITURE**

(71) Applicant: **BEDCOLAB, LTD.**, Laval (CA)

(72) Inventors: **Pierre Poirier**, Saint-Eustache (CA);  
**Ron Bedard**, Rosemere (CA)

(73) Assignee: **BEDCOLAB, LTD.** (CA)

(\*\*) Term: **14 Years**

(21) Appl. No.: **29/468,131**

(22) Filed: **Sep. 26, 2013**

(51) **LOC (10) Cl.** ..... **24-00**

(52) **U.S. Cl.**  
USPC ..... **D24/234**

(58) **Field of Classification Search**  
USPC ..... D24/234, 231; D6/425, 437, 426, 462,  
D6/481, 484, 491; 108/108, 50.02, 152;  
52/220.7; 211/187, 90.02, 189;  
312/209, 243, 247; 248/243

See application file for complete search history.

(56) **References Cited**

**U.S. PATENT DOCUMENTS**

3,234,897	A *	2/1966	Berk	108/152
D220,703	S *	5/1971	Deguchi et al.	D6/426
4,002,383	A *	1/1977	Holloway, Jr.	312/209
D244,913	S *	7/1977	Brandenfels	D6/462
4,050,752	A *	9/1977	Dykstra	312/243
4,093,078	A *	6/1978	Radek	211/189
D257,093	S *	9/1980	Brittner	D6/481
4,884,702	A *	12/1989	Rekow	211/90.02
5,004,201	A *	4/1991	Bessinger	248/243
D321,447	S *	11/1991	Newhouse	D6/484
5,348,385	A *	9/1994	Berg	312/247
D376,705	S *	12/1996	Stoddard et al.	D6/426
5,638,759	A *	6/1997	Klugkist	108/50.02
5,799,588	A *	9/1998	Engel	108/108
5,901,513	A *	5/1999	Mollenkopf et al.	52/220.7
5,997,397	A	12/1999	Frickel et al.	

6,029,832	A	2/2000	Bastian	
6,047,838	A *	4/2000	Rindoks et al.	211/187
6,112,913	A *	9/2000	Rindoks et al.	211/90.02
6,115,978	A	9/2000	Bastian et al.	
6,138,583	A *	10/2000	Mahone et al.	108/108
D508,343	S *	8/2005	Pflaster	D6/425
D547,097	S *	7/2007	Bastian et al.	D6/491
D587,485	S *	3/2009	Albright	D6/437
7,634,967	B1 *	12/2009	Albright et al.	108/50.02
8,186,281	B2	5/2012	Bastian et al.	
2007/0204537	A1 *	9/2007	Bastian et al.	52/220.7
2008/0121149	A1 *	5/2008	Michaud et al.	108/147

**OTHER PUBLICATIONS**

Edison II Mock-Up Review, Sep. 8, 2005, Cornell University, Ithaca, NY.

(Continued)

*Primary Examiner* — Holly Baynham

*Assistant Examiner* — Rhea Shields

(74) *Attorney, Agent, or Firm* — Polster Lieder

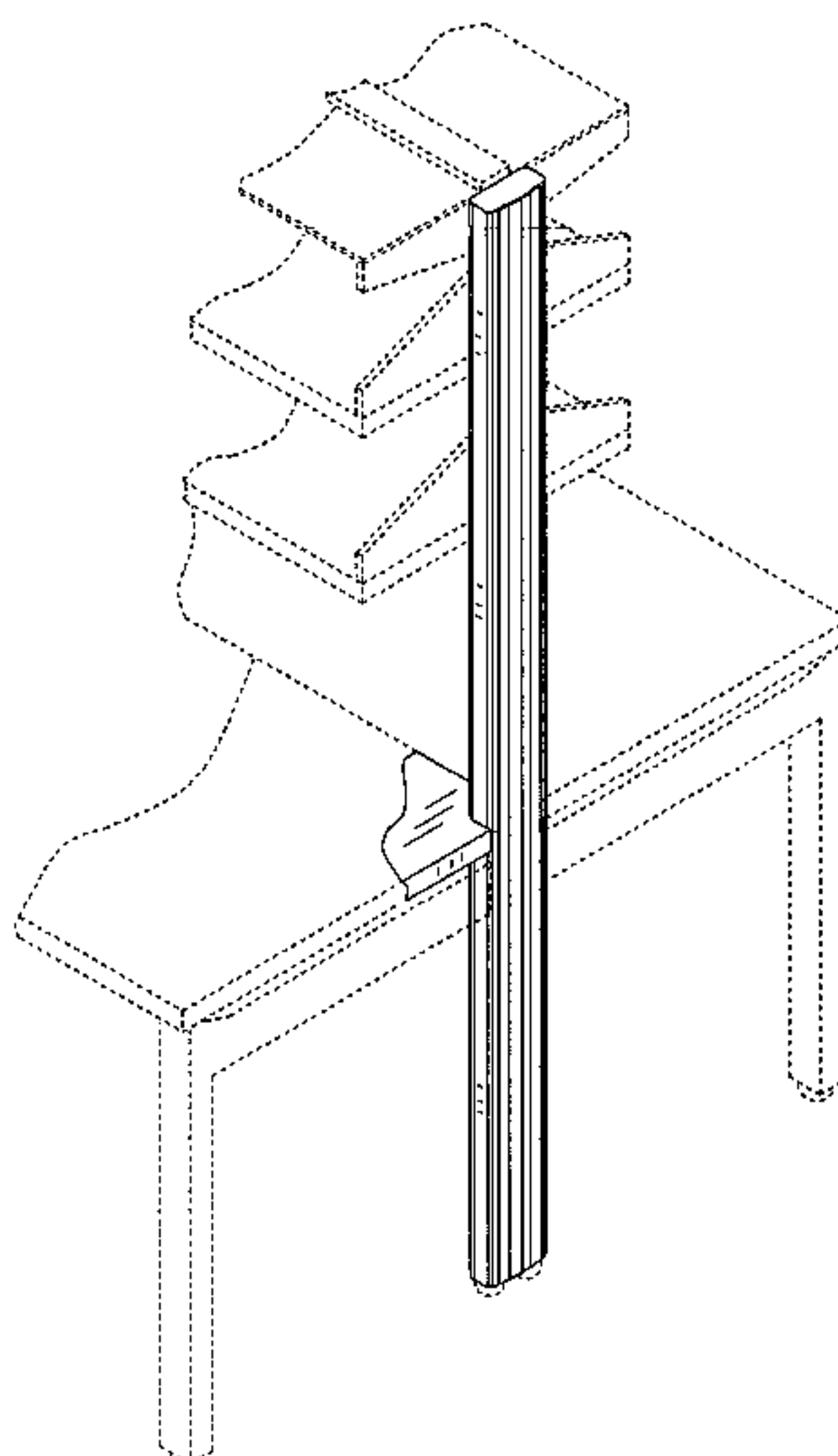
(57) **CLAIM**

The ornamental design for a portion of modular laboratory furniture, as shown and described.

**DESCRIPTION**

FIG. 1 is a top perspective view of the portion of modular laboratory furniture;  
FIG. 2 is an enlarged perspective view of the portion of the modular laboratory furniture of FIG. 1;  
FIG. 3 is a right side view thereof;  
FIG. 4 is a left side view thereof;  
FIG. 5 is a front view thereof;  
FIG. 6 is a back view thereof;  
FIG. 7 is a top view thereof; and,  
FIG. 8 is a bottom view thereof.  
The broken lines are included for the purpose of illustrating environmental structure and form no part of the claimed design.

**1 Claim, 4 Drawing Sheets**



(56)

**References Cited**

OTHER PUBLICATIONS

Max/Wall Technical Wall System, Fisher Hamilton, Form No. AL-1356-1, May 2002.  
Distinction Laboratory Bench System, Fisher Hamilton, Form No. AL-1463, Jan. 2006.

Symphonic Table Specification, Cornell University, Nov. 24, 2005.

Edison II Specification, Stanford University, Oct. 1, 2008.

Edison III Specification, Weill Cornell Medical College, Dec. 2, 2010, Laboratory Casework pp. 12360-38-12360-43.

\* cited by examiner

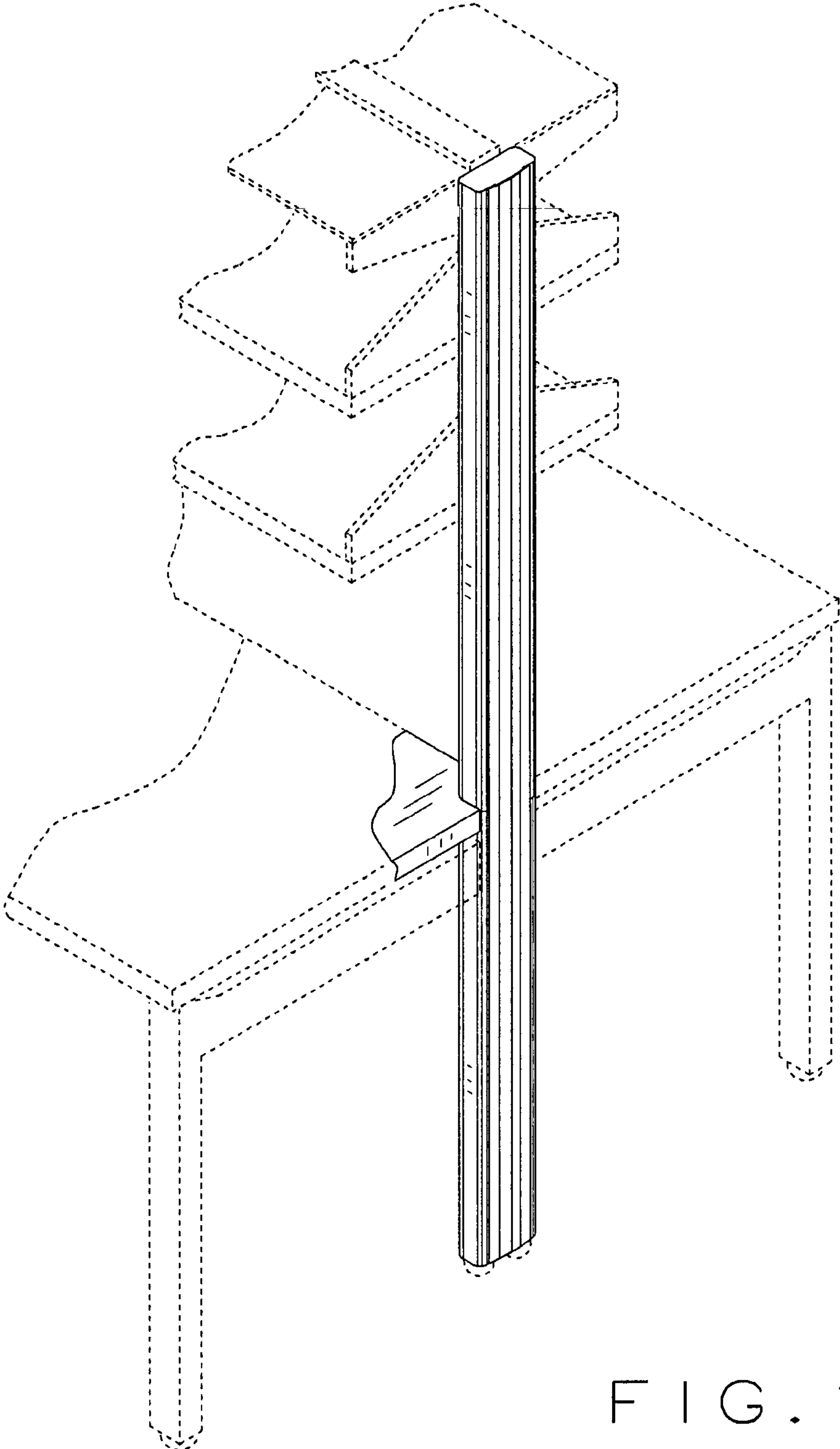


FIG. 1

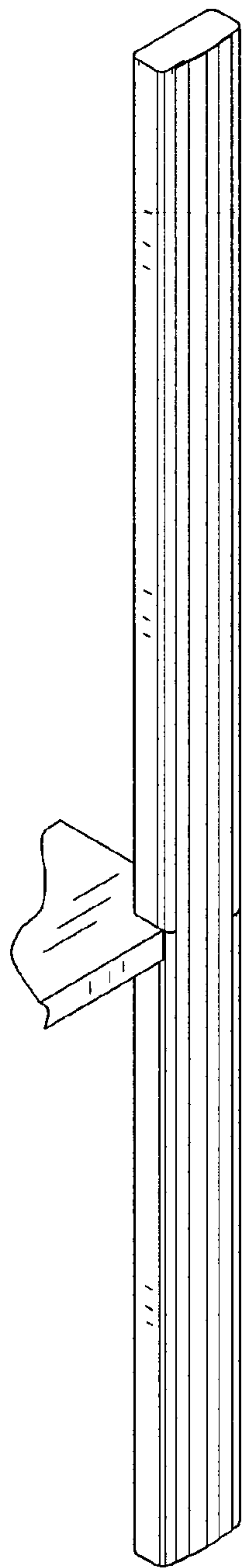


FIG. 2

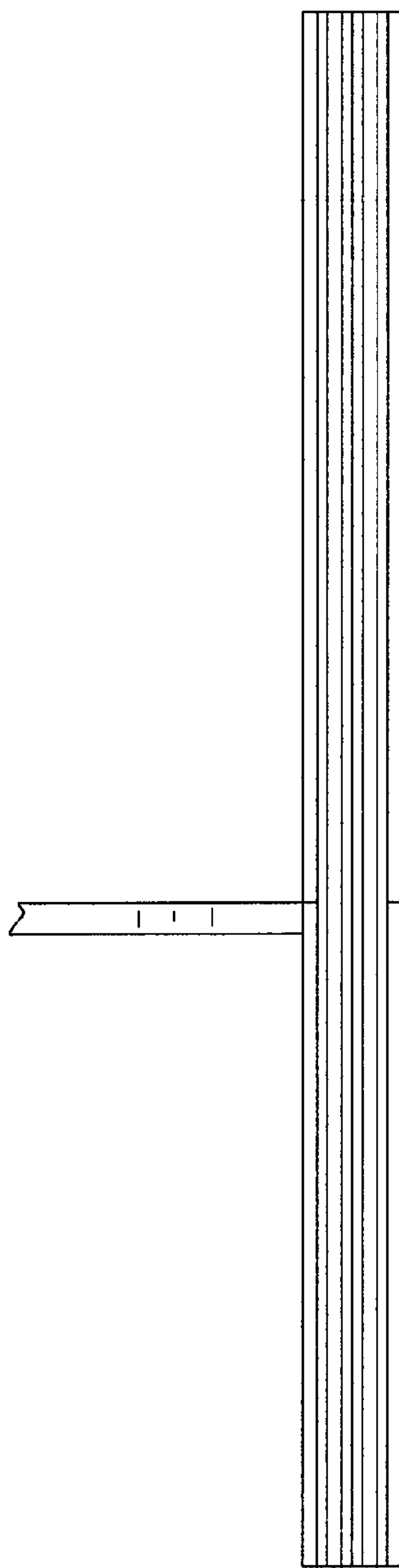


FIG. 3

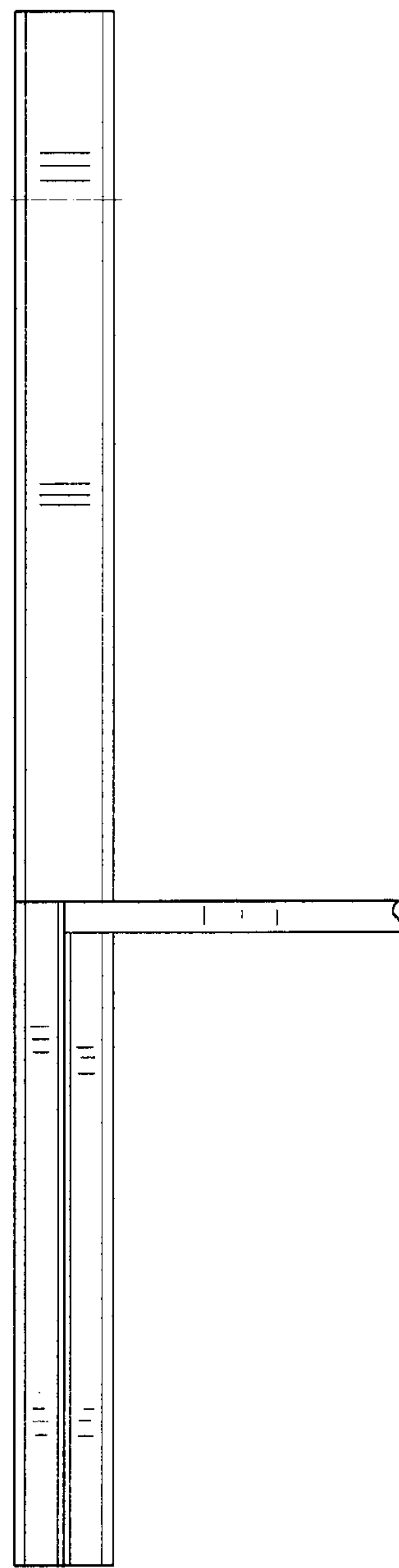


FIG. 4

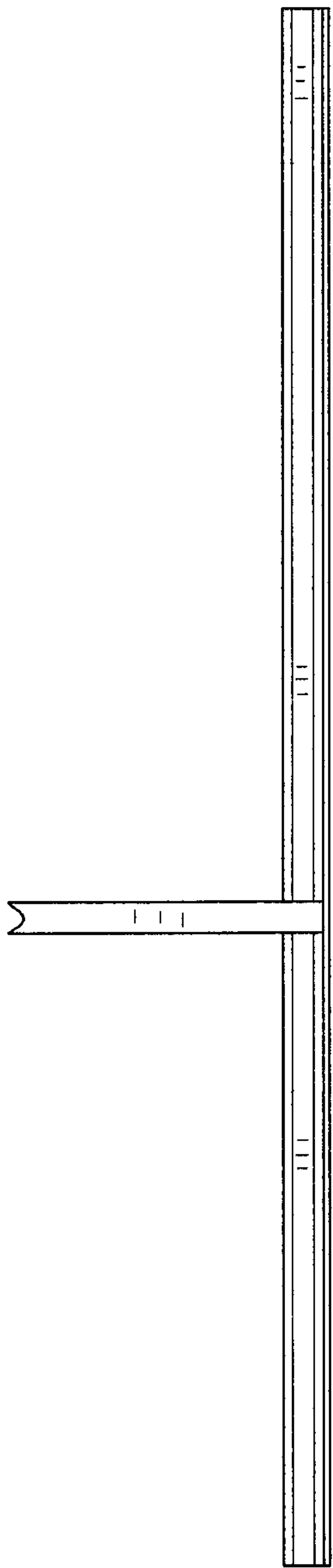


FIG. 5

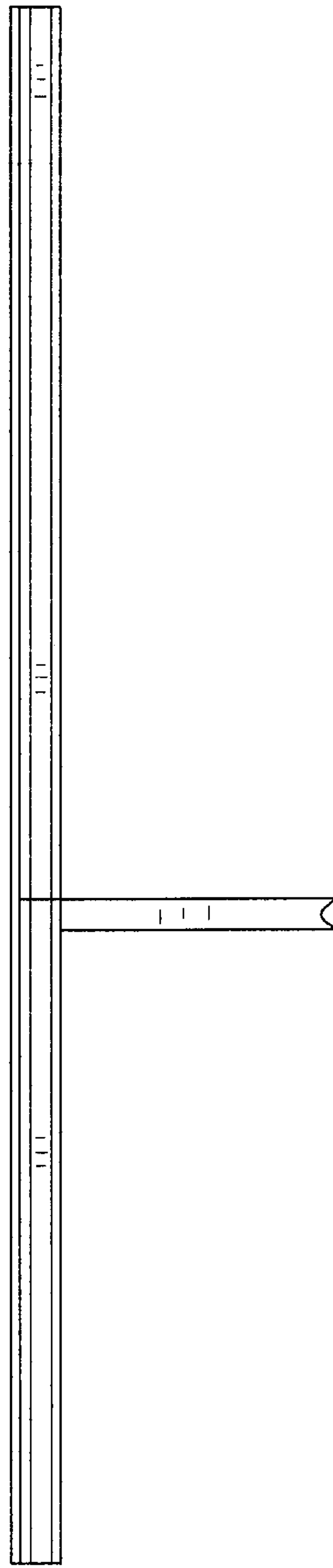


FIG. 6

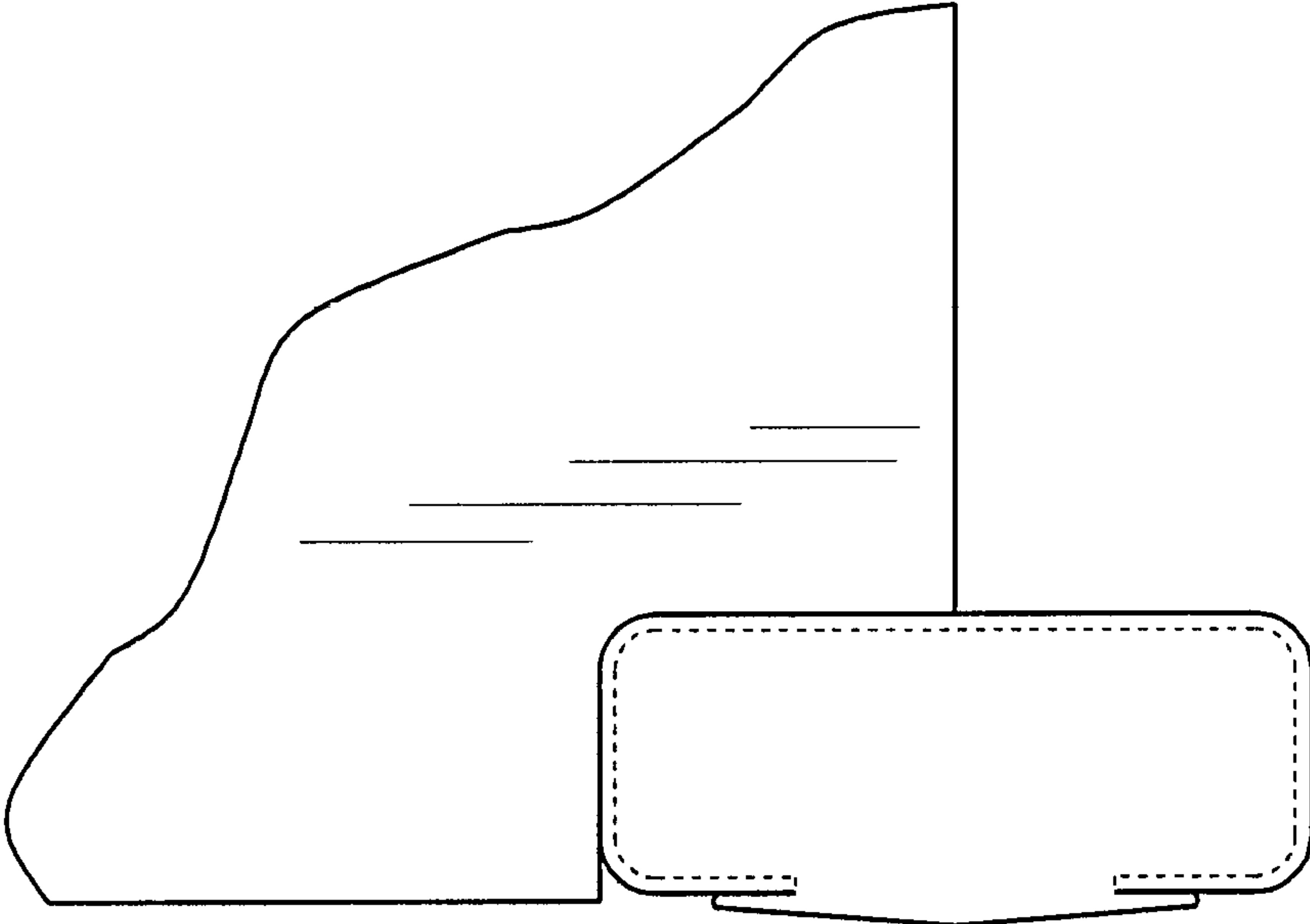


FIG. 7

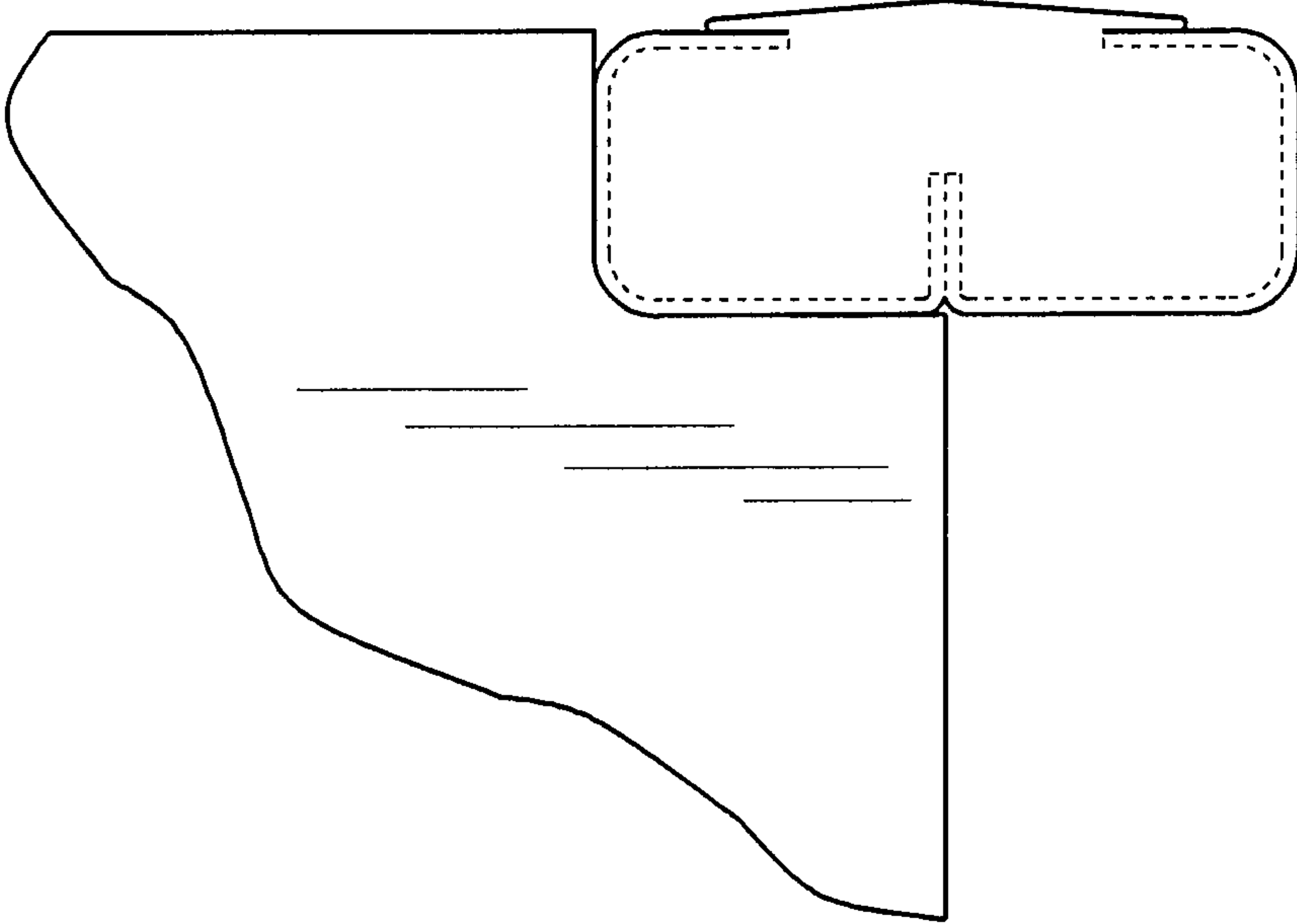


FIG. 8