



US00D739553S

(12) **United States Design Patent**
Yang et al.

(10) **Patent No.:** **US D739,553 S**

(45) **Date of Patent:** **** Sep. 22, 2015**

(54) **CHEMICAL SENSOR CARTRIDGE**

(71) Applicant: **Nanomix, Inc.**, Emeryville, CA (US)

(72) Inventors: **Jui-Ming Yang**, El Cerrito, CA (US);
Bradley N. Johnson, Berkeley, CA
(US); **Ray R. Radtkey**, Oakland, CA
(US)

(73) Assignee: **Nanomix, Inc.**, Emeryville, CA (US)

(**) Term: **14 Years**

(21) Appl. No.: **29/450,132**

(22) Filed: **Mar. 15, 2013**

(51) **LOC (10) Cl.** **24-01**

(52) **U.S. Cl.**
USPC **D24/232**

(58) **Field of Classification Search**

USPC D24/232, 107, 186, 216, 169, 223–227,
D24/231; D10/81; 204/193, 403.01–403.02,
204/403.04; 422/500, 554, 402–404, 68.1,
422/502–503; 435/287.2; 436/43

See application file for complete search history.

(56) **References Cited**

U.S. PATENT DOCUMENTS

D337,164 S *	7/1993	Lauks et al.	D24/223
D351,913 S *	10/1994	Hieb et al.	D24/223
D382,648 S *	8/1997	Shartle et al.	D24/224
D559,995 S *	1/2008	Handique et al.	D24/232
D669,191 S *	10/2012	Handique	D24/225
2014/0271410 A1 *	9/2014	Bosma et al.	422/554
2014/0273187 A1 *	9/2014	Johnson et al.	435/287.2

* cited by examiner

Primary Examiner — Wan Laymon

(74) *Attorney, Agent, or Firm* — Weave Austin Villeneuve & Sampson, LLP

(57) **CLAIM**

We claim the ornamental design for a chemical sensor cartridge, as shown and described.

DESCRIPTION

FIG. 1 is a top, front, and left side perspective view of a chemical sensor cartridge showing our new design.

FIG. 2 is a bottom, front, and left side perspective view thereof;

FIG. 3 is a bottom, front, and left side perspective view thereof with tangent edges shown;

FIG. 4 is an enlarged detail view of the front right corner of FIG. 3;

FIG. 5 is a top view showing our design;

FIG. 6 is a bottom view thereof;

FIG. 7 is a rear view thereof;

FIG. 8 is a front view thereof;

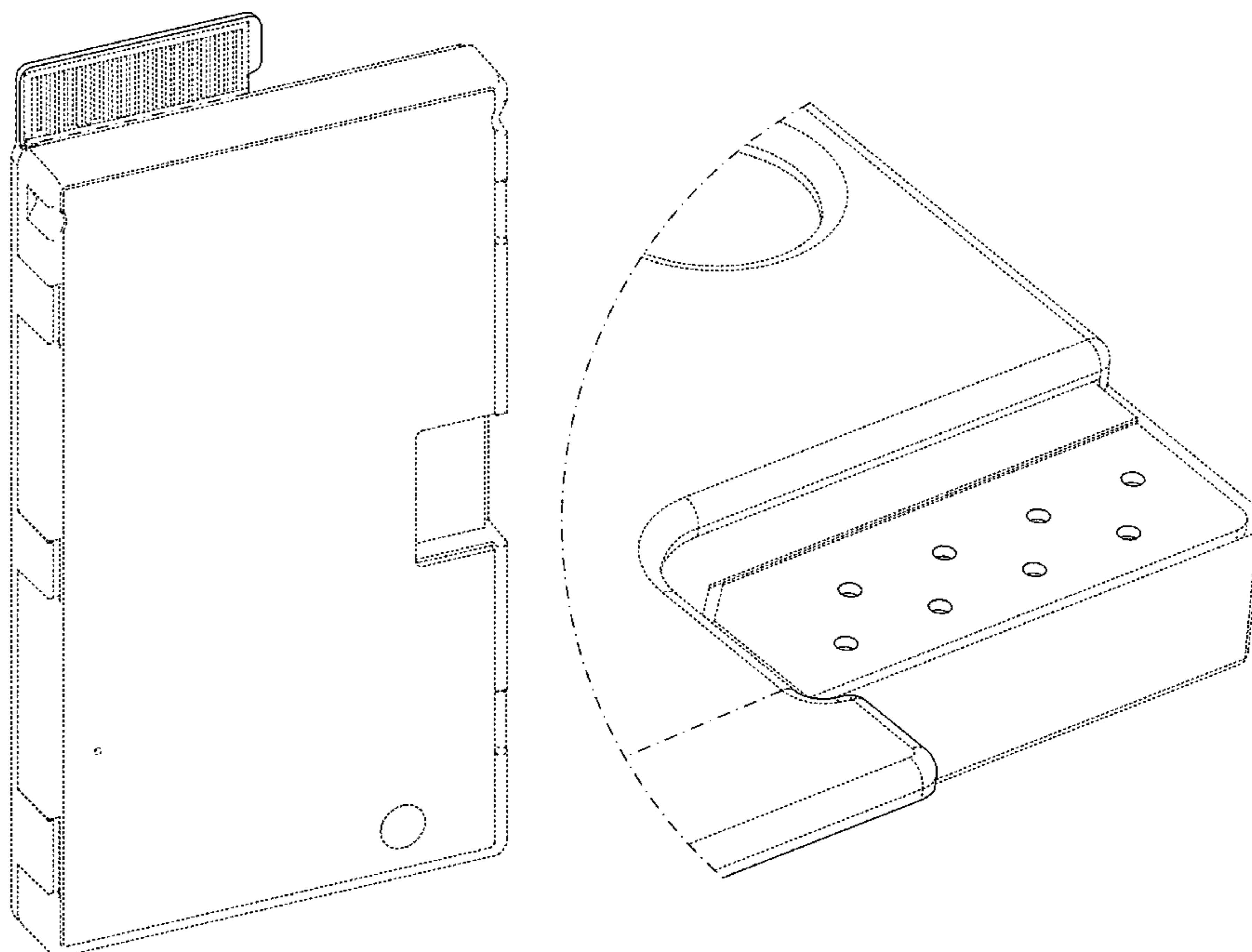
FIG. 9 is a left side view thereof; and,

FIG. 10 is a right side view thereof.

The dash-dot-dash lines define the boundary lines of the claimed design.

All other broken lines shown in the figures are included for the purpose of illustrating environmental structure and form no part of the claimed design. The solid circle members in FIGS. 2-4 and 6, not the surfaces and the broken lines immediately surrounding them, are part of the claimed design.

1 Claim, 8 Drawing Sheets



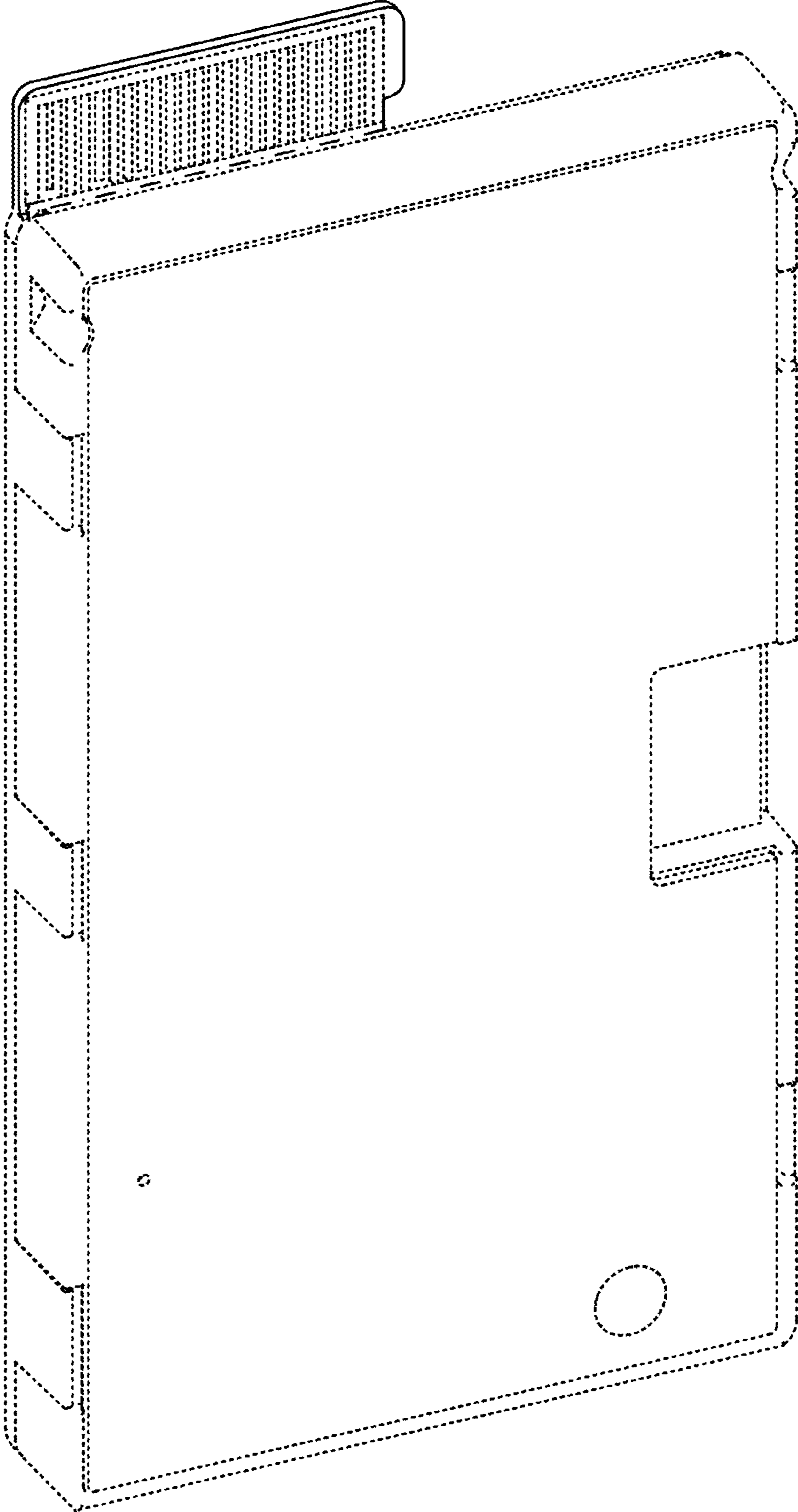


FIG. 1

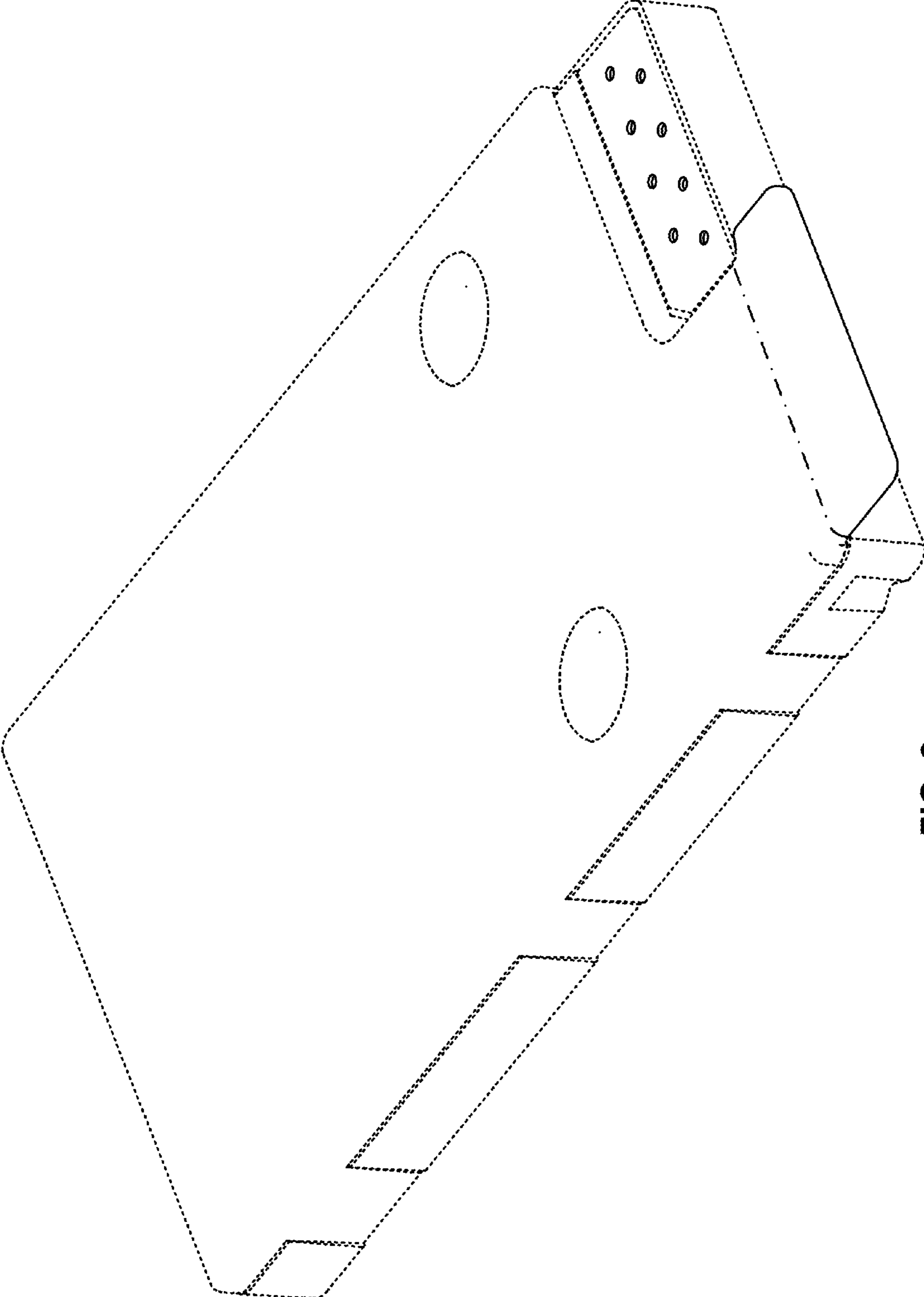


FIG. 2

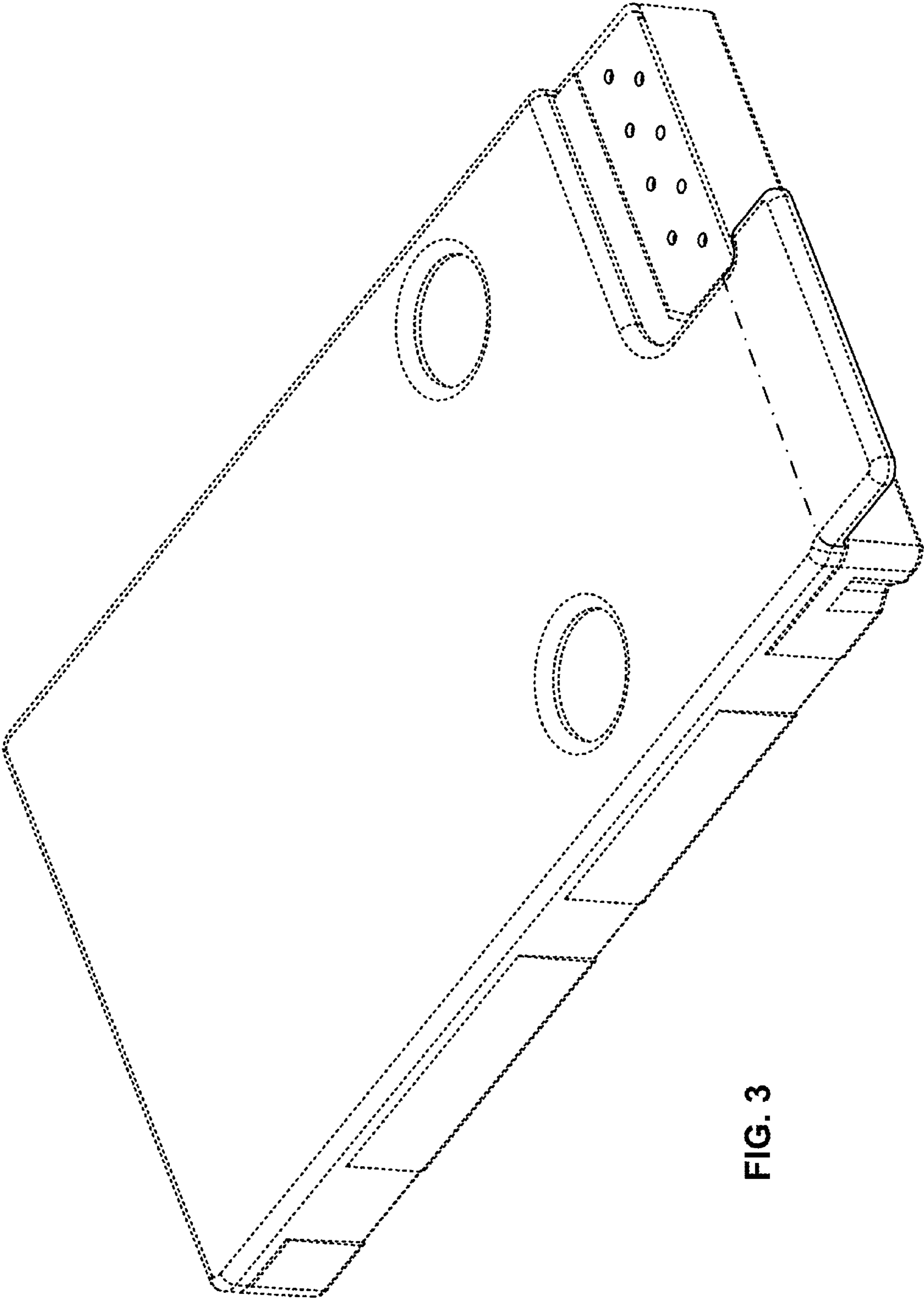


FIG. 3

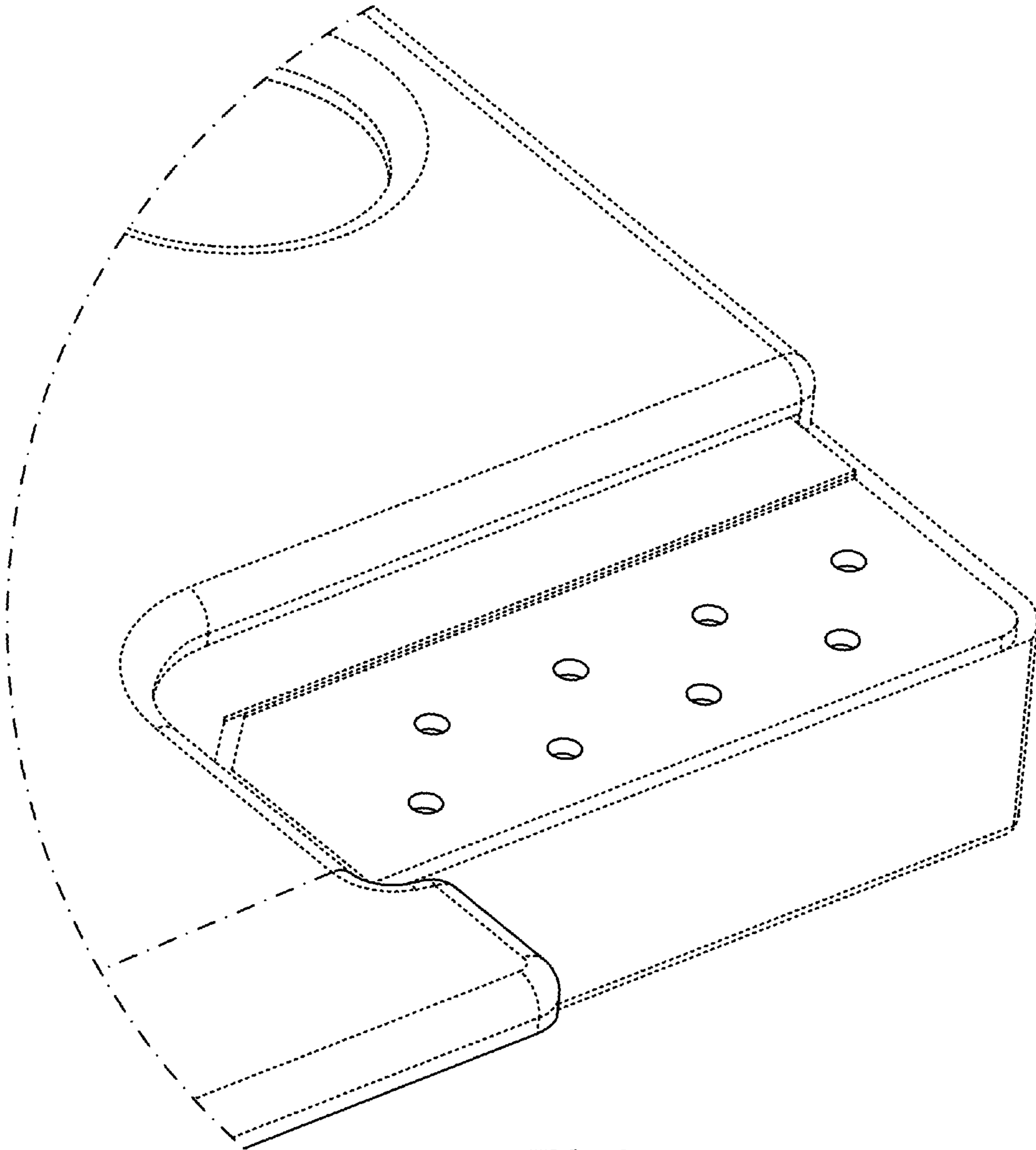


FIG. 4

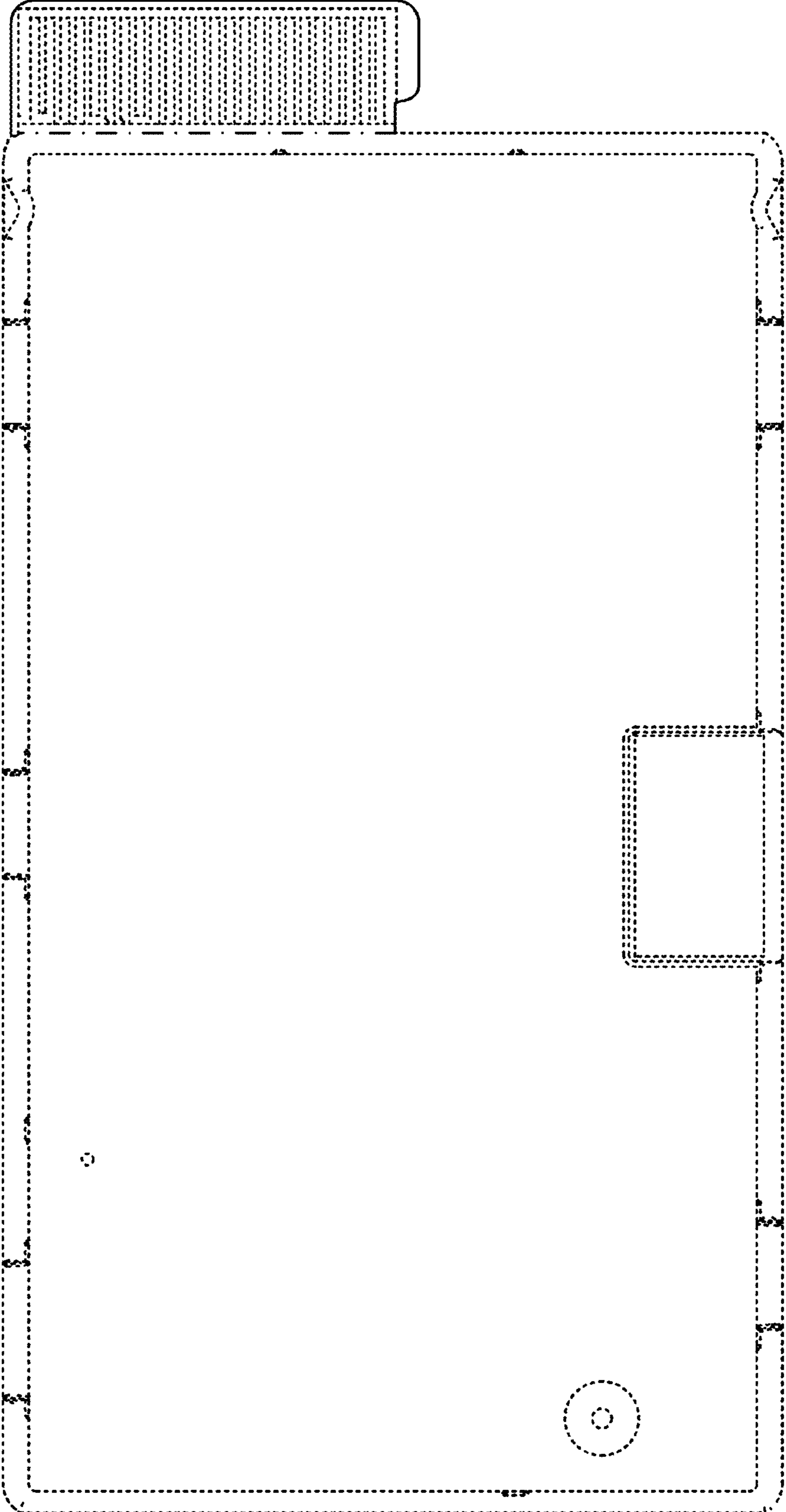


FIG. 5

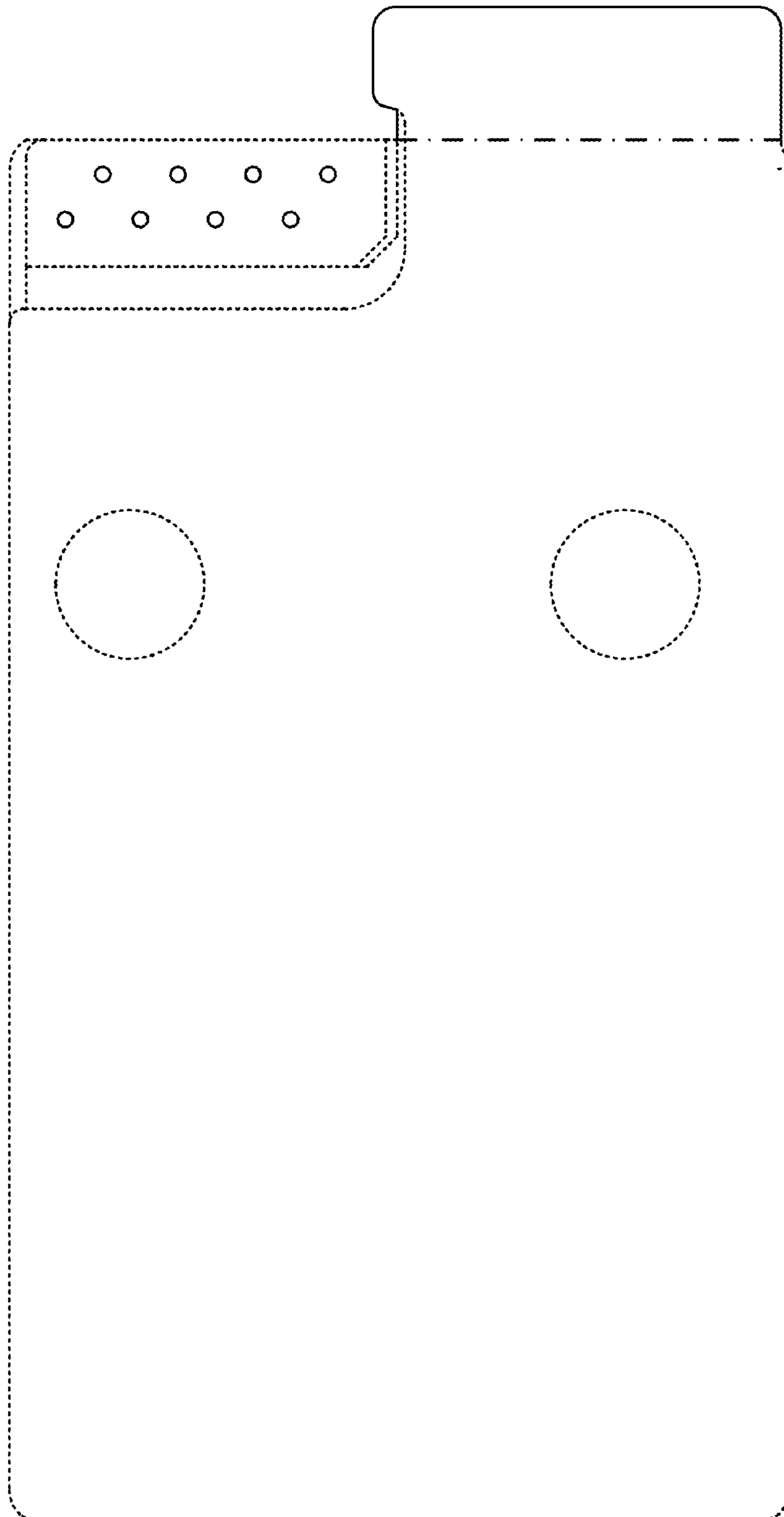


FIG. 6

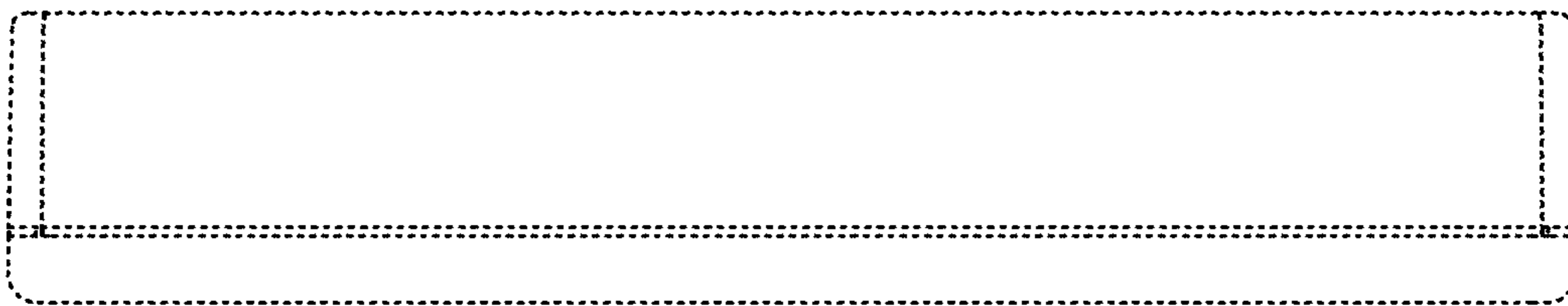


FIG. 7

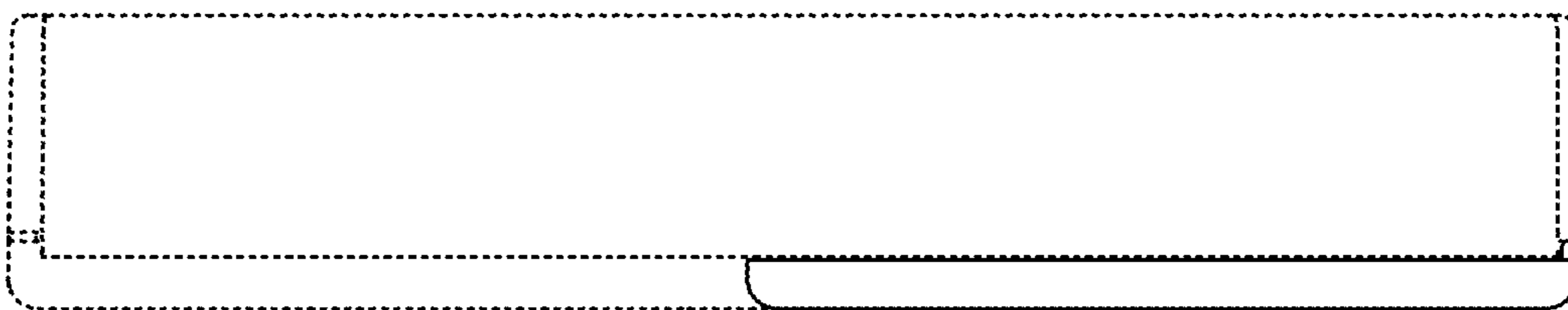


FIG. 8

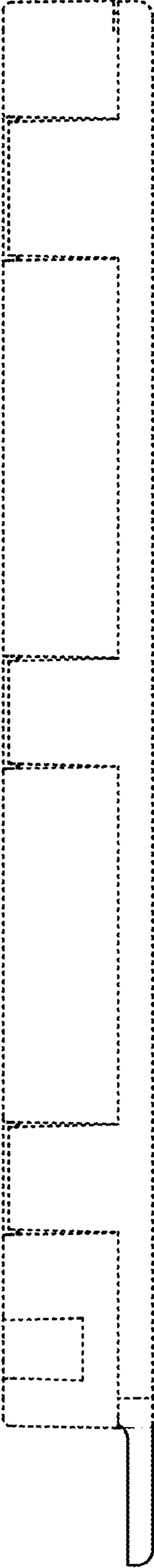


FIG. 9

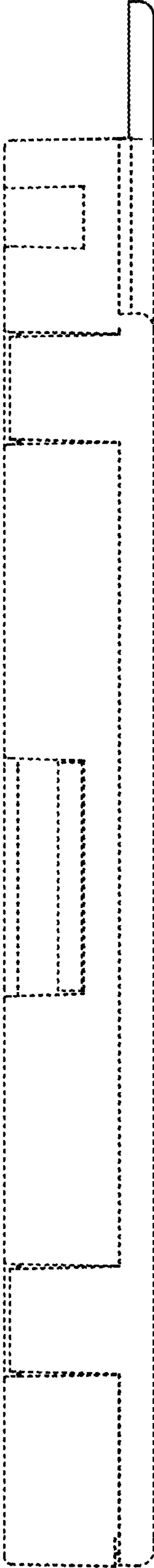


FIG. 10