

US00D739552S

(12) **United States Design Patent**
Hoke et al.

(10) **Patent No.:** **US D739,552 S**
(45) **Date of Patent:** **** Sep. 22, 2015**

- (54) **PORTION CUP** D352,350 S 11/1994 Rambo et al.
- (71) Applicant: **RhinoSystems, Inc.**, Cleveland, OH (US) D360,698 S 7/1995 Stevens et al.
- (72) Inventors: **Martin R. Hoke**, Lakewood, OH (US); **Robert D. Schilling**, Olmsted Township, OH (US); **Patrick W. Brown**, Auburn, OH (US); **Jeffrey S. Taggart**, McLean, VA (US) D385,756 S 11/1997 Licari
- (73) Assignee: **RHINOSYSTEMS, INC.**, Cleveland, OH (US) 5,720,391 A 2/1998 Dohm et al.
- (**) Term: **14 Years** D411,014 S 6/1999 Berger et al.
- (21) Appl. No.: **29/472,367** D419,067 S 1/2000 Guillin
- (22) Filed: **Nov. 12, 2013** D430,959 S 9/2000 Sheely
- D432,280 S 10/2000 Quinlan et al.
- D453,822 S 2/2002 Meeks et al.
- D460,167 S 7/2002 Murray et al.
- D503,785 S 4/2005 Otaki
- D522,114 S 5/2006 Otaki
- D536,432 S 2/2007 Jackovitch et al.
- 7,246,715 B2 7/2007 Smith et al.
- D556,250 S 11/2007 Kent et al.
- D566,256 S 4/2008 Abate et al.
- D573,412 S 7/2008 Ablo
- D578,628 S 10/2008 Yoo et al.
- D597,203 S 7/2009 Tauer
- D597,642 S 8/2009 Kaiser et al.
- D605,754 S 12/2009 Nelson et al.
- D607,557 S * 1/2010 Wiggins D24/108

(Continued)

Related U.S. Application Data

- (63) Continuation-in-part of application No. 29/360,918, filed on May 3, 2010, now Pat. No. Des. 662,217.
- (51) **LOC (10) Cl.** **24-01**
- (52) **U.S. Cl.**
USPC **D24/224; D24/121**
- (58) **Field of Classification Search**
USPC D24/216–232, 186, 121, 108, 111;
D7/543, 545, 565, 584, 587; D9/425,
D9/428, 429, 430; 206/219, 220; 220/574,
220/608; 422/500, 547
See application file for complete search history.

(56) **References Cited**

U.S. PATENT DOCUMENTS

- D254,754 S * 4/1980 Harrison D30/129
- 4,697,703 A 10/1987 Will
- D316,447 S 4/1991 Woodson et al.
- D330,418 S 10/1992 Carter
- D342,965 S 1/1994 Duke et al.

Primary Examiner — Anhdao Doan

(74) *Attorney, Agent, or Firm* — Fay Sharpe LLP

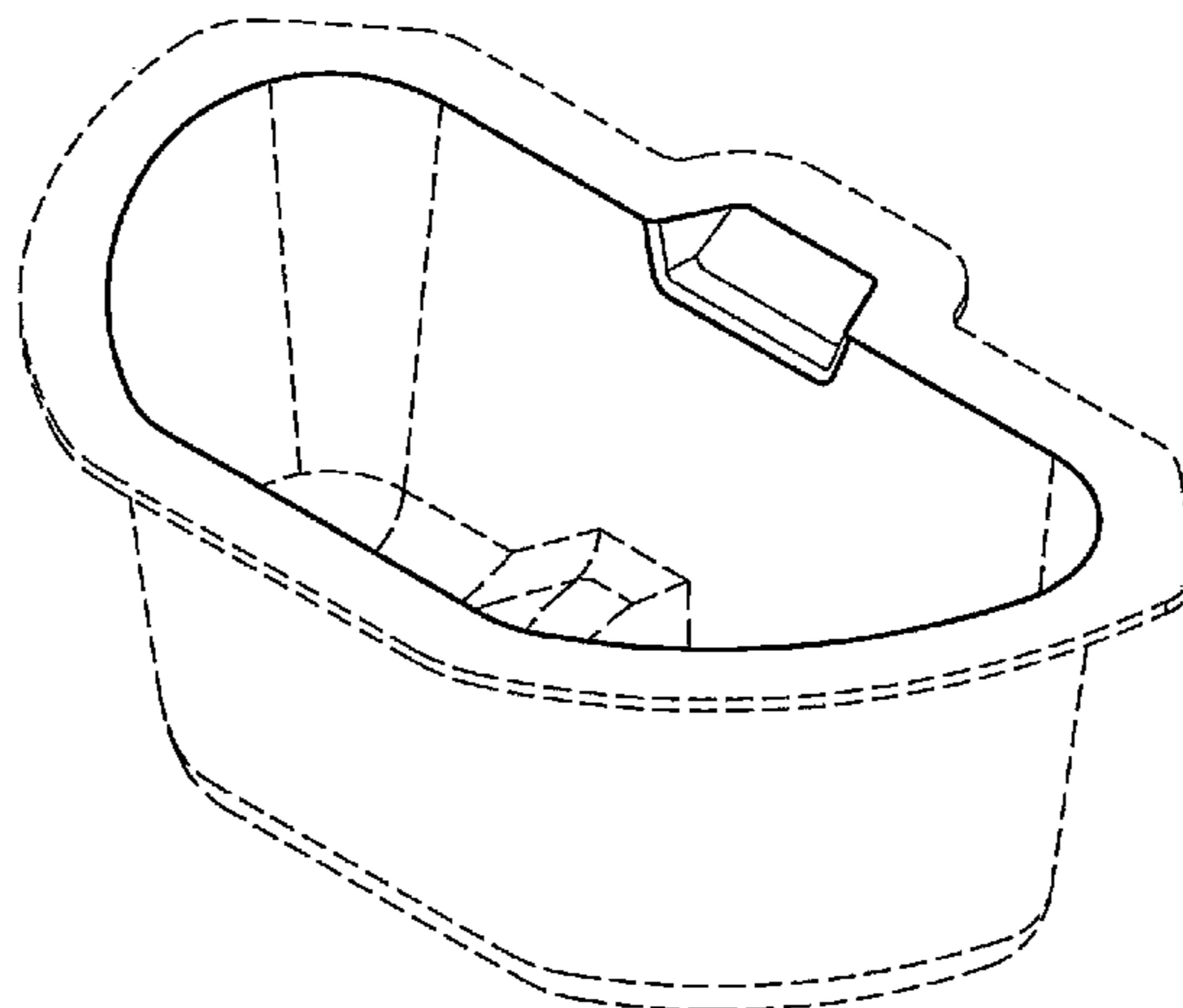
(57) **CLAIM**

The ornamental design for a portion cup, as shown and described.

DESCRIPTION

FIG. 1 is a top perspective view of a portion cup showing our new design;
 FIG. 2 is a front view thereof;
 FIG. 3 is a left side view thereof;
 FIG. 4 is a rear view thereof;
 FIG. 5 is a right side view thereof;
 FIG. 6 is a top view thereof;
 FIG. 7 is a bottom view thereof; and,
 FIG. 8 is a bottom perspective view thereof.
 The parts illustrated in dashed lines form no part of the claimed design.

1 Claim, 3 Drawing Sheets



(56)

References Cited

U.S. PATENT DOCUMENTS

D611,768 S	3/2010	Muhl et al.	
D615,179 S	5/2010	Borgi	
D620,589 S *	7/2010	Rucinski	D24/108
D625,956 S	10/2010	Goddard-Clark et al.	
D625,961 S	10/2010	Kent	
D629,119 S	12/2010	Motadel	
7,850,006 B2	12/2010	Uchiyama	
D662,219 S	6/2012	Perrin et al.	
D710,701 S *	8/2014	Lai	D9/456
D711,195 S *	8/2014	Cornu et al.	D7/543
2005/0042145 A1	2/2005	Ueda et al.	
2005/0183971 A1	8/2005	Petricca	
2012/0330239 A1 *	12/2012	Hoke et al.	604/151

* cited by examiner

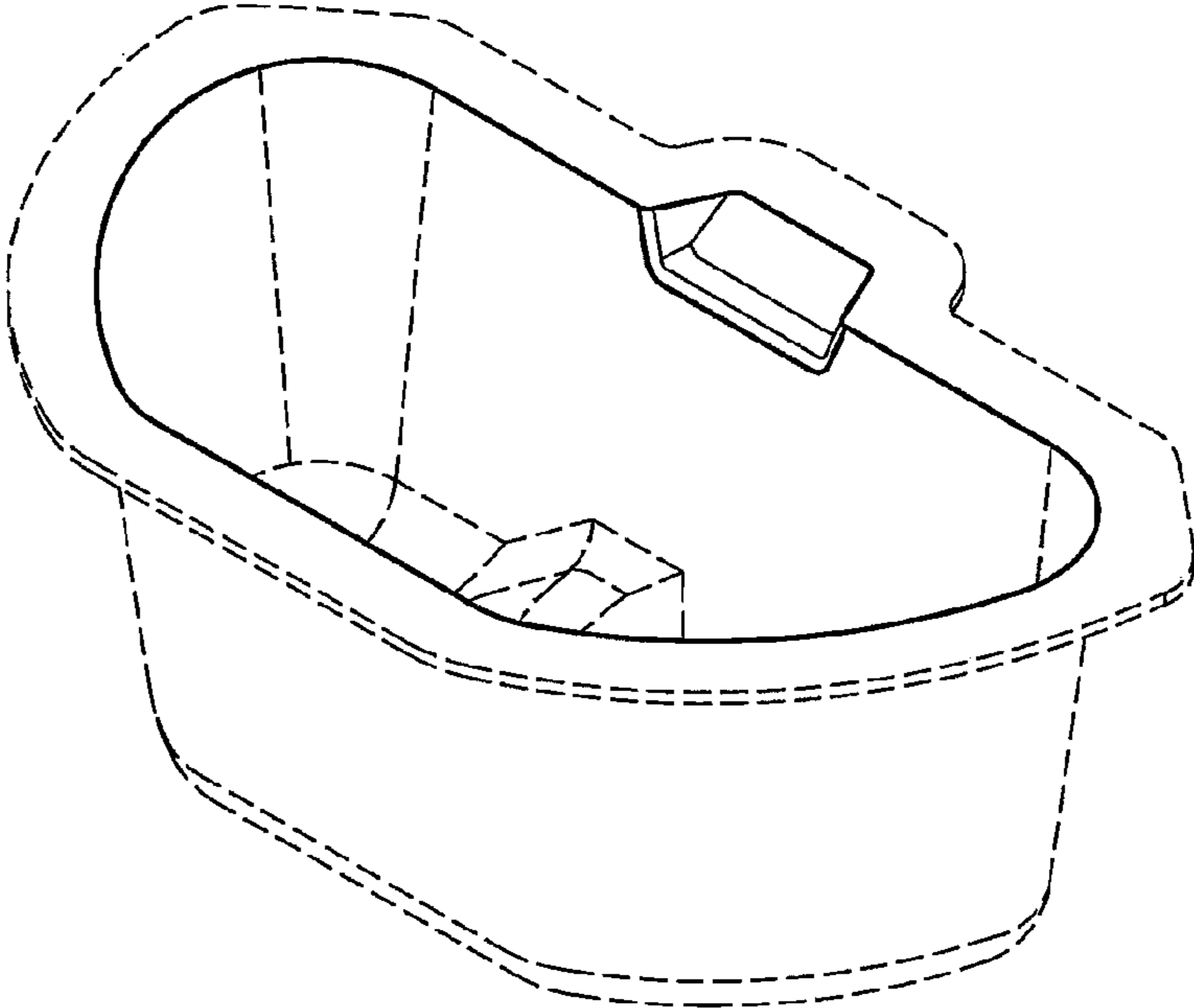


FIG. 1

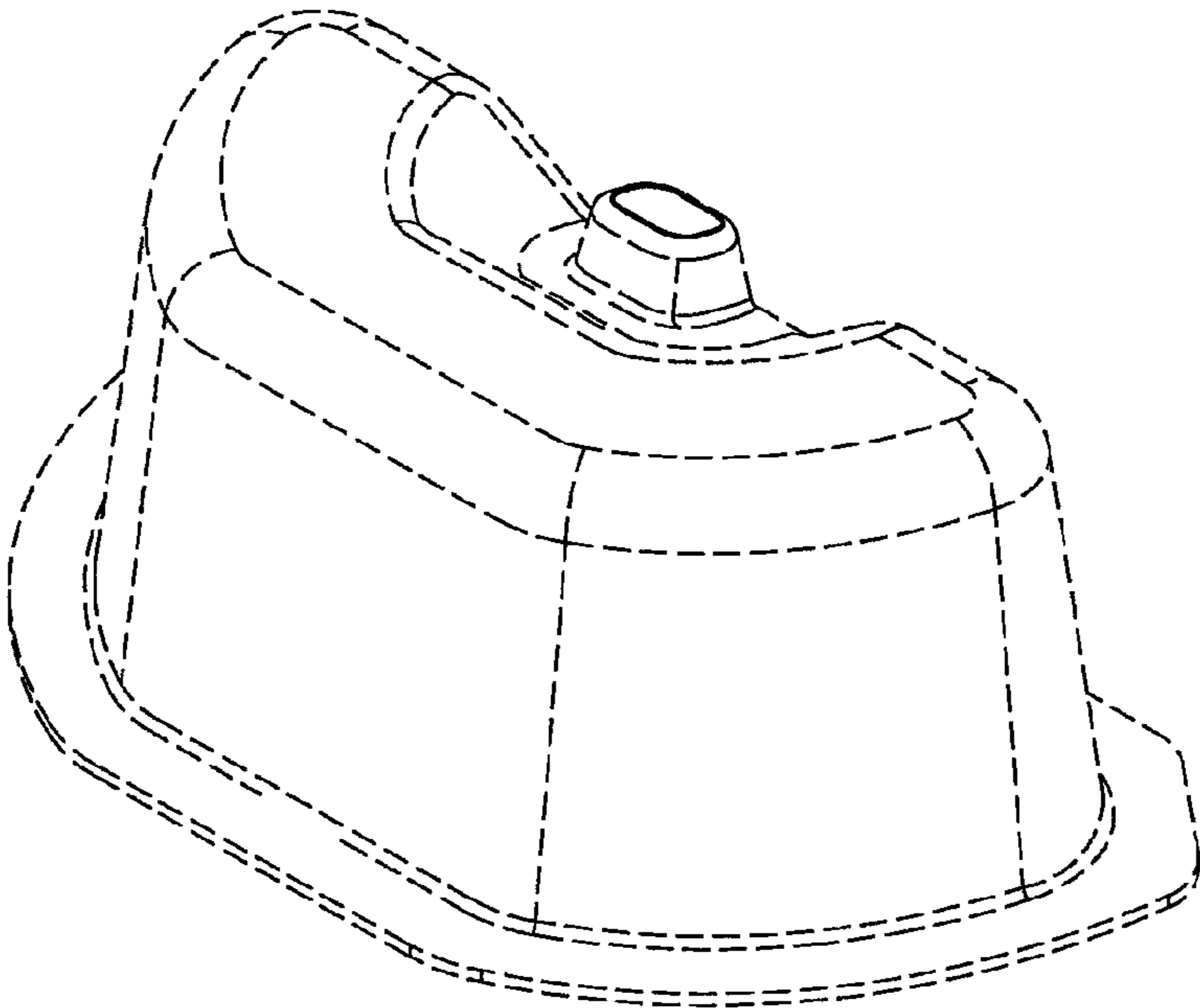


FIG. 8

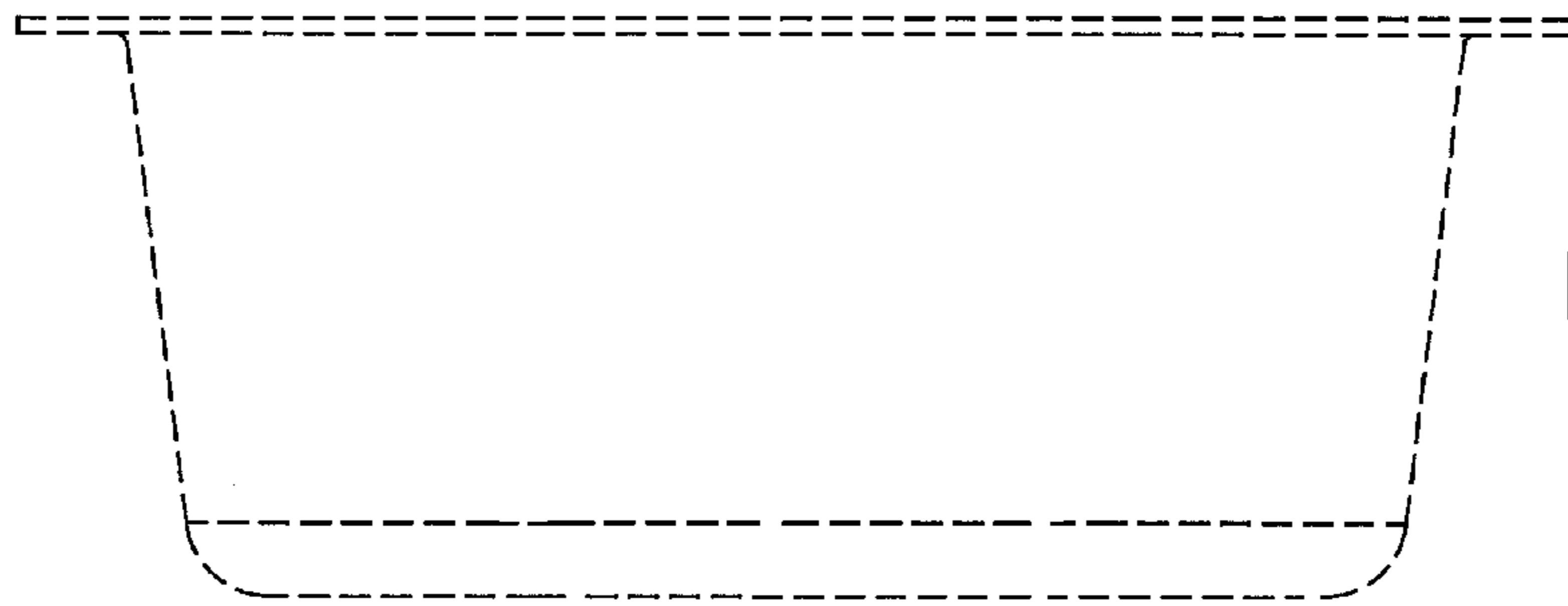


FIG. 2

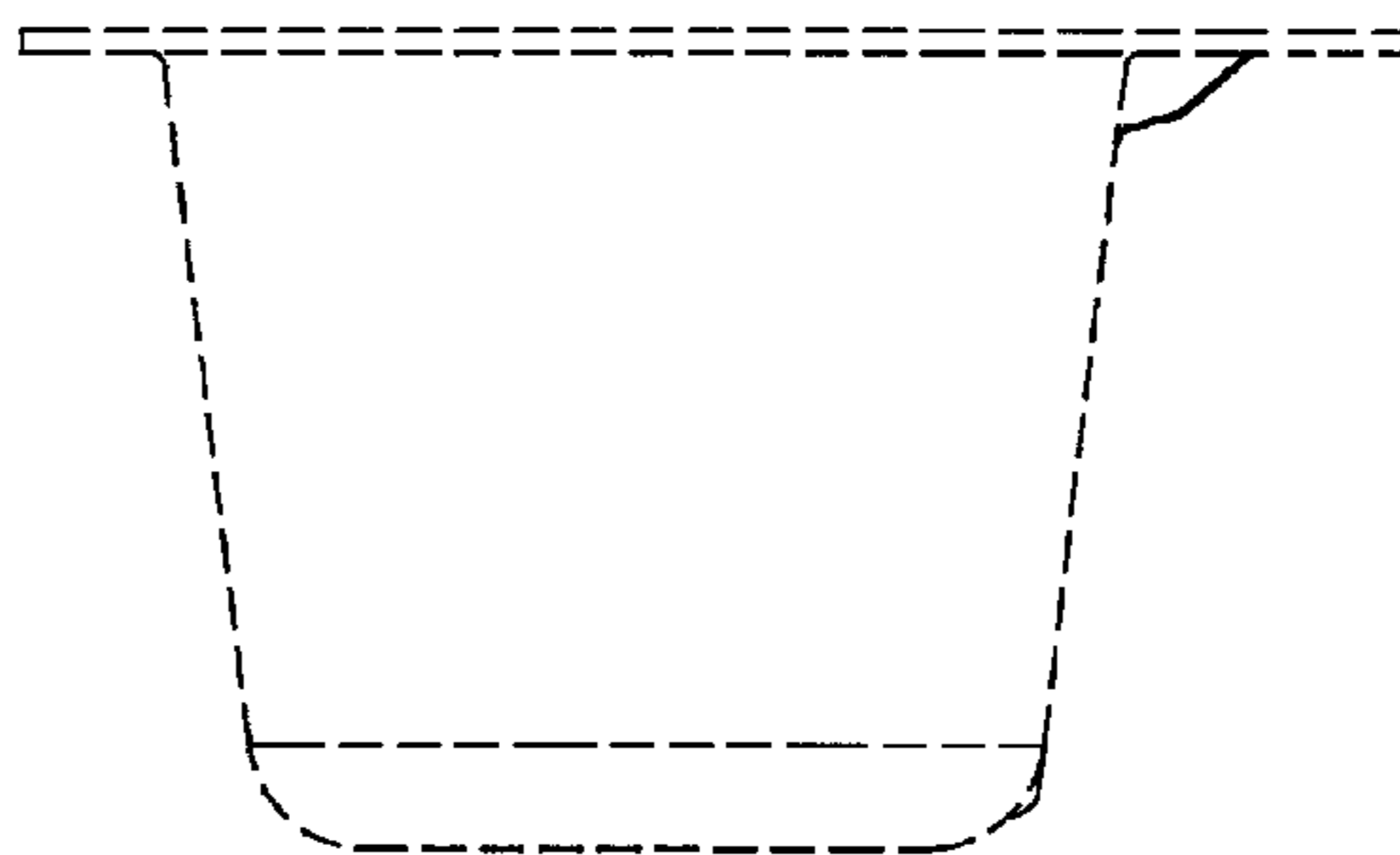


FIG. 3

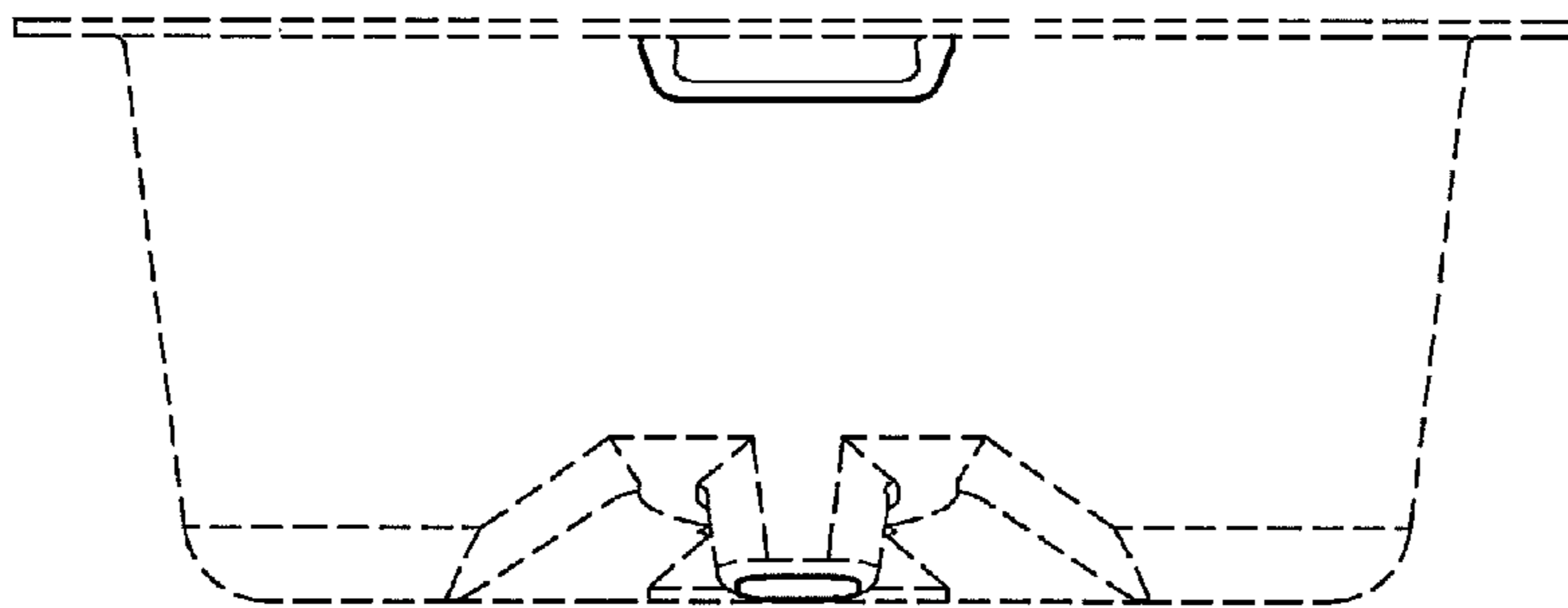


FIG. 4

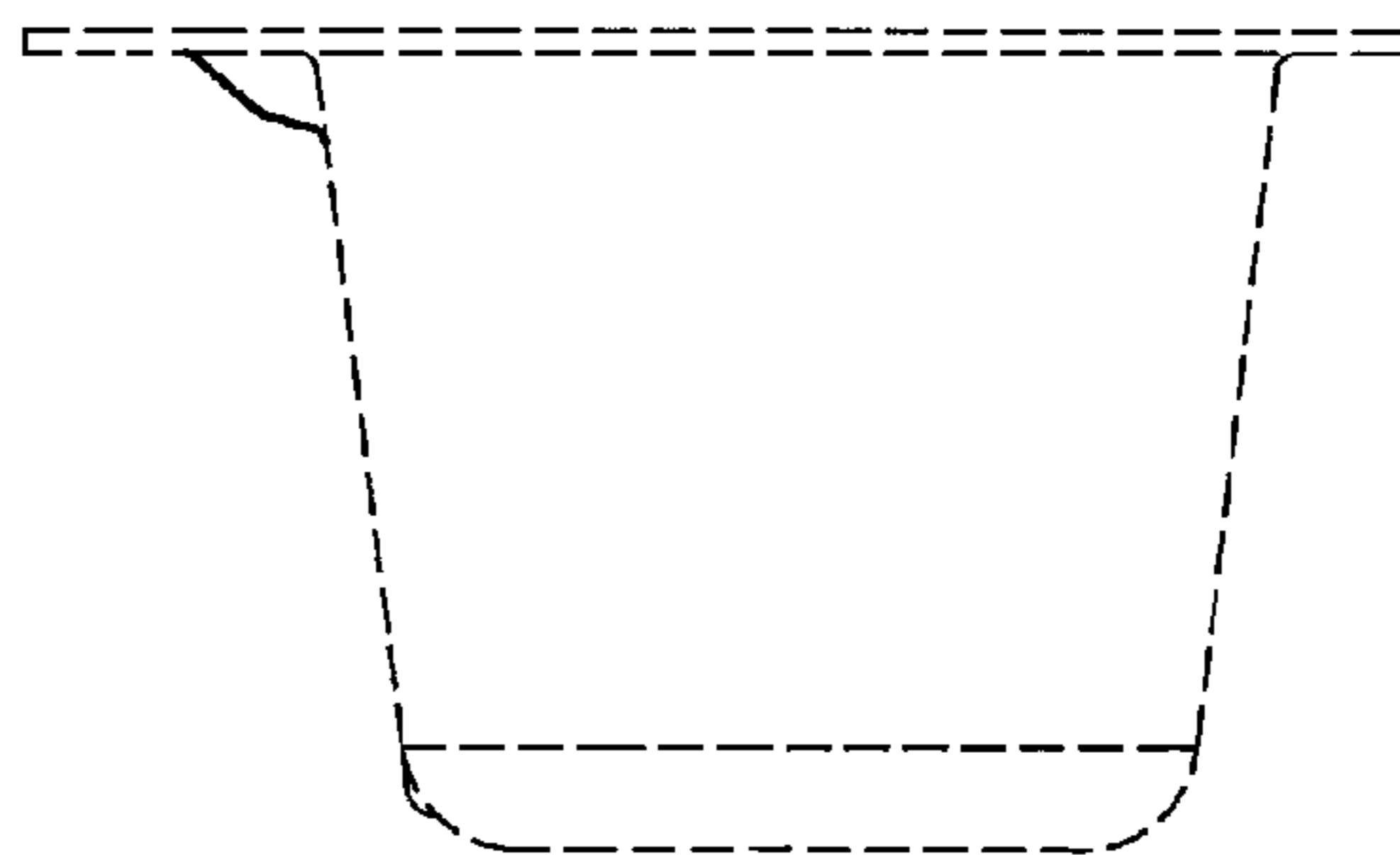


FIG. 5

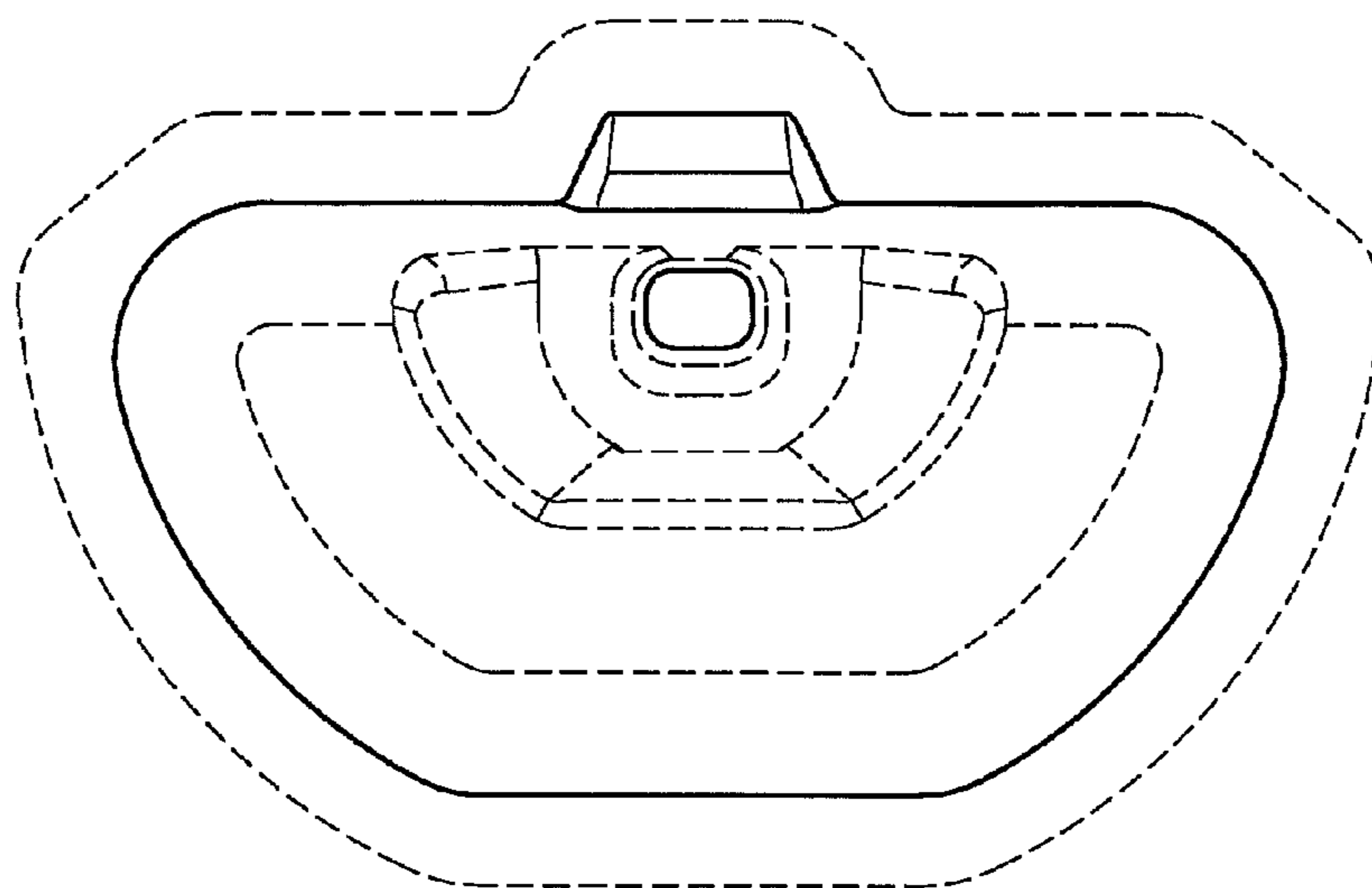


FIG. 6

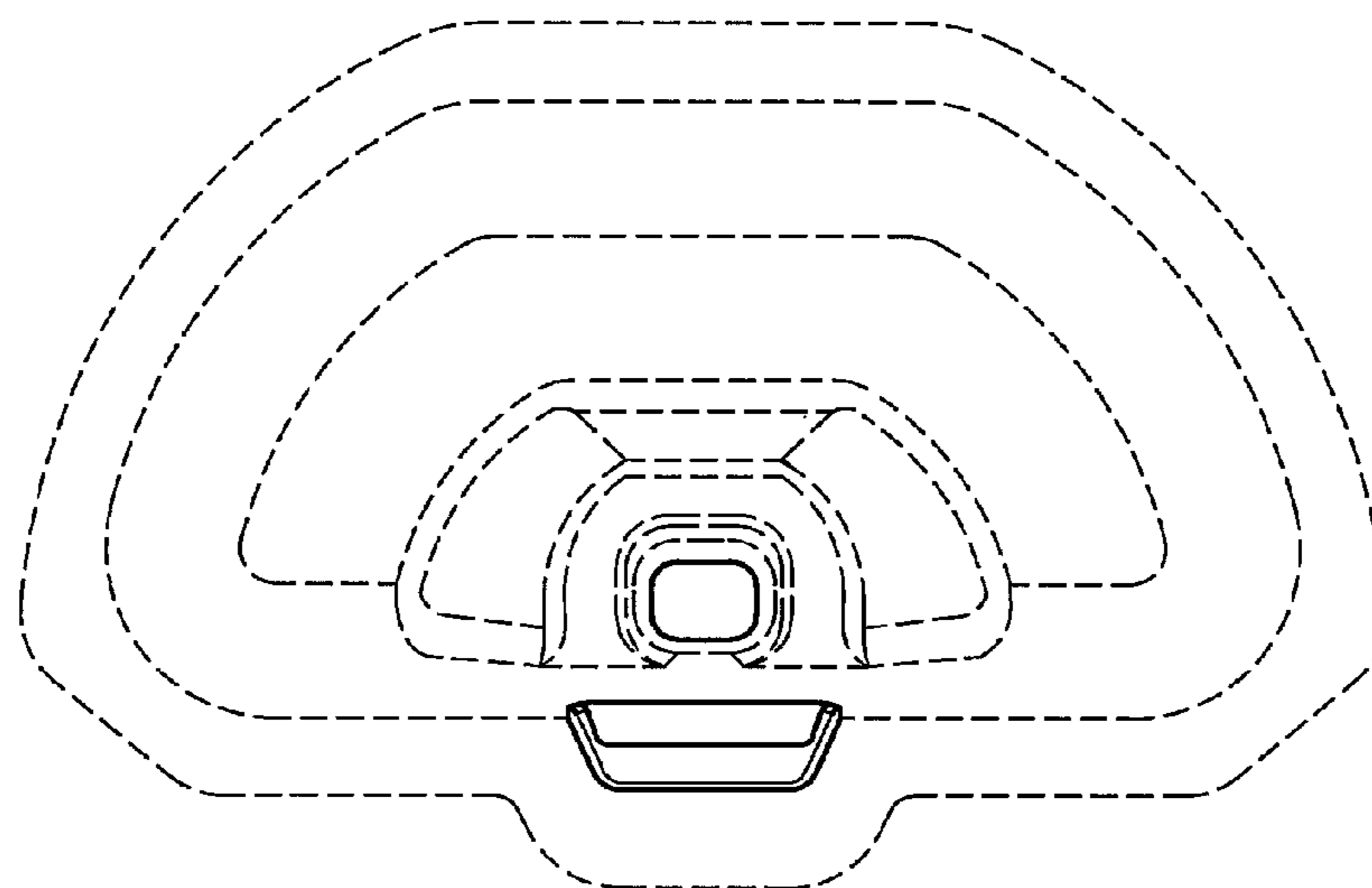


FIG. 7