



US00D739551S

(12) **United States Design Patent**  
**Castaing**

(10) **Patent No.:** **US D739,551 S**

(45) **Date of Patent:** **\*\* Sep. 22, 2015**

(54) **PIPETTE STRIP**

(71) Applicant: **CEVA ANIMAL HEALTH LLC**,  
Lenexa, KS (US)

(72) Inventor: **Jean-Francois Castaing**, Beguey (FR)

(73) Assignee: **CEVA ANIMAL HEALTH LLC**,  
Lenexa, KS (US)

(\*\*) Term: **14 Years**

(21) Appl. No.: **29/485,562**

(22) Filed: **Mar. 20, 2014**

(51) **LOC (10) Cl.** ..... **24-02**

(52) **U.S. Cl.**  
USPC ..... **D24/222; D9/426**

(58) **Field of Classification Search**  
USPC ..... D24/222, 224, 227, 231-232, 108, 121,  
D24/127, 188, 130; D9/415, 420, 423, 424,  
D9/425, 426, 696, 722-723, 732, 700, 753,  
D9/418; 206/508, 520, 470, 229, 365, 469;  
220/839, 835, 792, 4.23, 4.22; D10/83,  
D10/94, 101

See application file for complete search history.

(56) **References Cited**

**U.S. PATENT DOCUMENTS**

D216,306 S \* 12/1969 Dutch ..... D24/223  
D222,236 S \* 10/1971 Peragine ..... D9/696

(Continued)

*Primary Examiner* — T. Chase Nelson

*Assistant Examiner* — Mark Cavanna

(74) *Attorney, Agent, or Firm* — IM IP Law PLLC; C.  
Andrew Im

(57) **CLAIM**

The ornamental design for a pipette strip, as shown and described.

**DESCRIPTION**

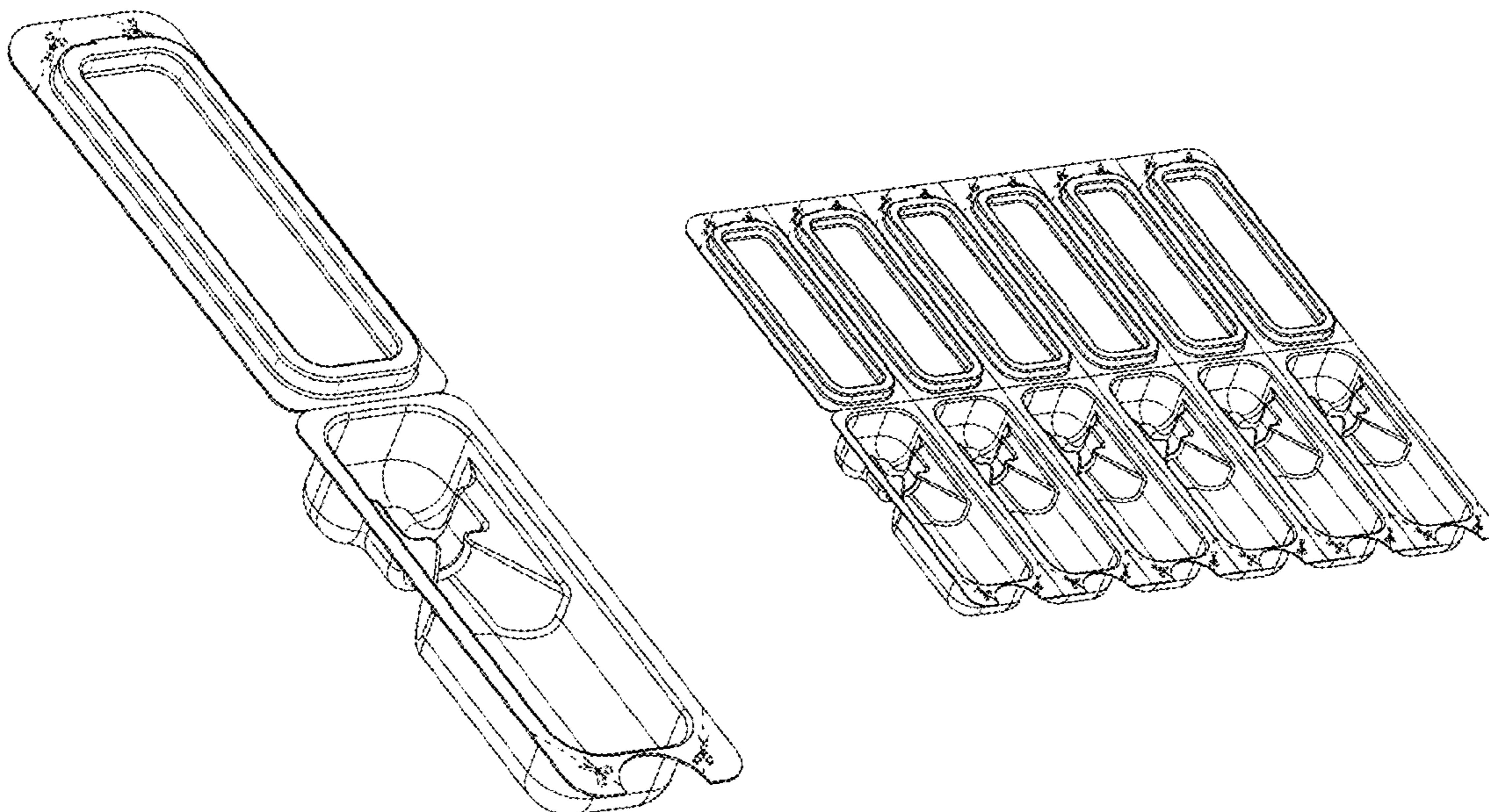
FIG. 1 is a front elevation view of the first embodiment of a pipette strip showing a single pipette showing our new design; FIG. 2 is a back elevation view of the pipette strip of FIG. 1; FIG. 3 is a left side view of the pipette strip of FIG. 1; FIG. 4 is a right side view of the pipette strip of FIG. 1; FIG. 5 is a top plan view of the pipette strip of FIG. 1; FIG. 6 is a bottom plan view of the pipette strip of FIG. 1; FIG. 7 is a back perspective view of the pipette strip of FIG. 1;

FIG. 8 is a front elevation view of the second embodiment of a pipette strip showing 3 connected pipettes; FIG. 9 is a back elevation view of the pipette strips of FIG. 8; FIG. 10 is a left side view of the pipette strip of FIG. 8; FIG. 11 is a right side view of the pipette strip of FIG. 8; FIG. 12 is a top plan view of the pipette strip of FIG. 8; FIG. 13 is a bottom plan view of the pipette strip of FIG. 8; FIG. 14 is a back perspective view of the pipette strip of FIG. 8;

FIG. 15 is a front elevation view of a third embodiment of a pipette strip showing 6 connected pipettes; FIG. 16 is a back elevation view of the pipette strip of FIG. 15; FIG. 17 is a left side view of the pipette strip of FIG. 15; FIG. 18 is a right side view of the pipette strip of FIG. 15; FIG. 19 is a top plan view of the pipette strip of FIG. 15; FIG. 20 is a bottom plan view of the pipette strip of FIG. 15; and, FIG. 21 is a back perspective view of the pipette strip of FIG. 15.

All broken lines and accompanying scissors depict unclaimed environment and form no part of the claimed design.

**1 Claim, 21 Drawing Sheets**



(56)

**References Cited**

U.S. PATENT DOCUMENTS

3,913,734 A \* 10/1975 Siegel ..... 206/470  
 3,927,762 A \* 12/1975 Zdarsky et al. .... 206/229  
 4,106,621 A \* 8/1978 Sorenson ..... 206/365  
 D253,167 S \* 10/1979 Fournier et al. .... D9/722  
 D253,222 S \* 10/1979 Fournier et al. .... D9/732  
 D262,095 S \* 12/1981 Takahashi ..... D9/700  
 4,512,474 A \* 4/1985 Harding ..... 206/461  
 D292,879 S \* 11/1987 Smith ..... D9/753  
 D325,526 S \* 4/1992 Deguchi et al. .... D9/415  
 D327,321 S \* 6/1992 Russell et al. .... D24/130

D338,728 S \* 8/1993 Russell ..... D24/130  
 D419,439 S \* 1/2000 Markovsky et al. .... D9/415  
 D426,150 S \* 6/2000 Izumi et al. .... D9/418  
 D430,015 S \* 8/2000 Himbert et al. .... D9/425  
 D438,460 S \* 3/2001 Hammond ..... D9/753  
 D543,866 S \* 6/2007 Mikkelsen ..... D9/732  
 D627,221 S \* 11/2010 Kovatch ..... D9/429  
 D628,061 S \* 11/2010 Nakano ..... D9/723  
 D665,254 S \* 8/2012 Miller ..... D9/424  
 D673,036 S \* 12/2012 Wolf ..... D9/420  
 D673,037 S \* 12/2012 Wolf ..... D9/420  
 8,485,360 B2 \* 7/2013 Teys et al. .... 206/469

\* cited by examiner

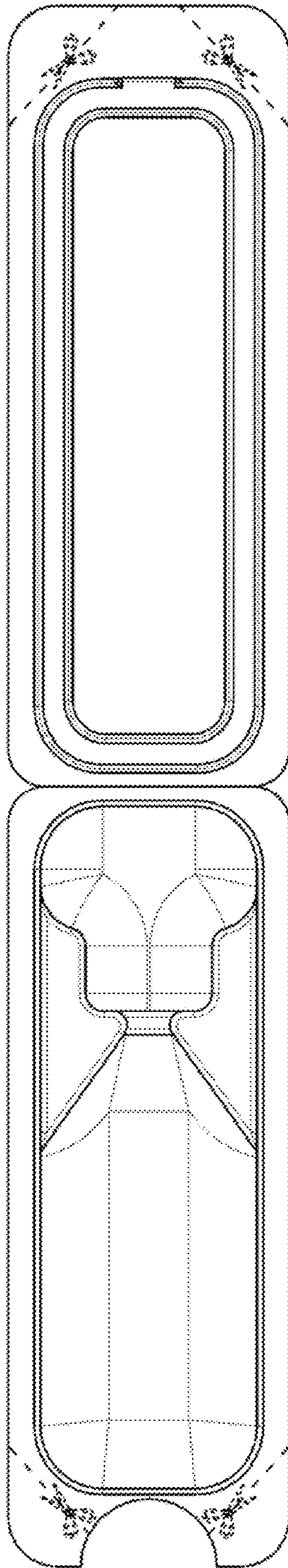


FIG. 1

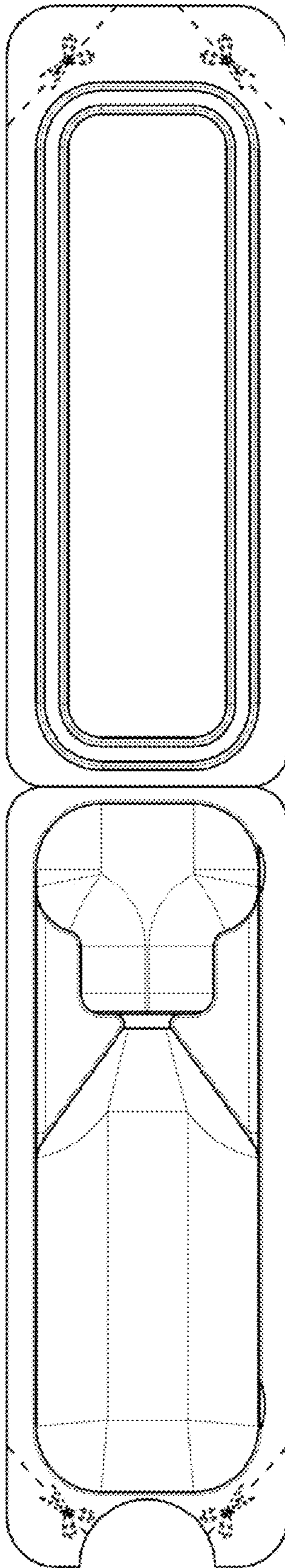


FIG. 2

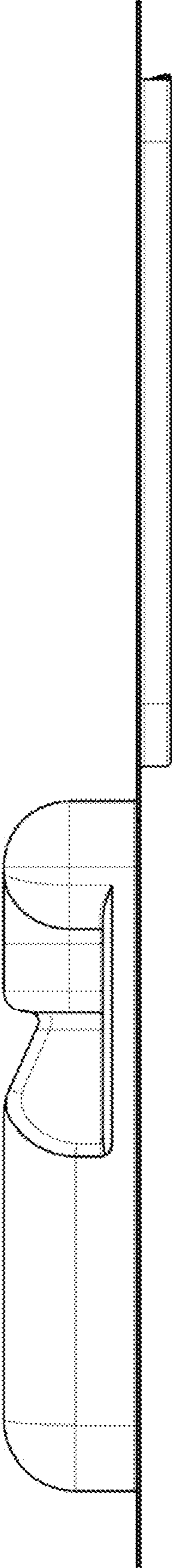


FIG. 3

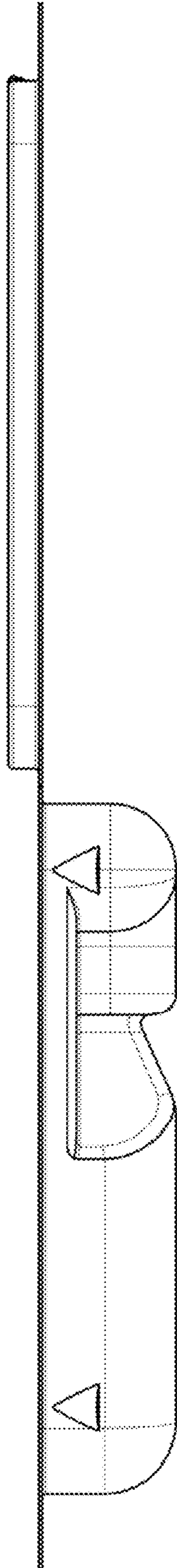


FIG. 4

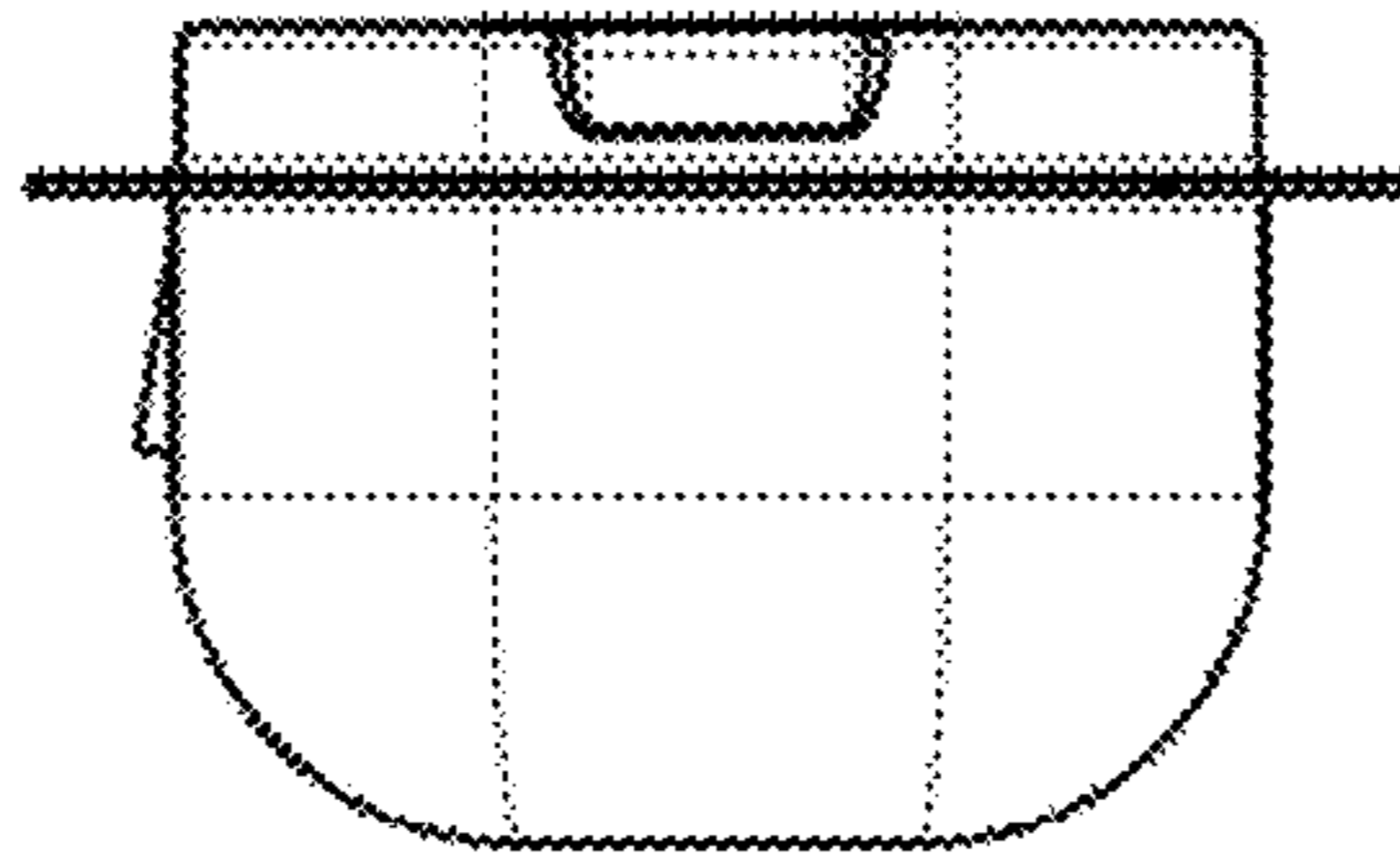


FIG. 5

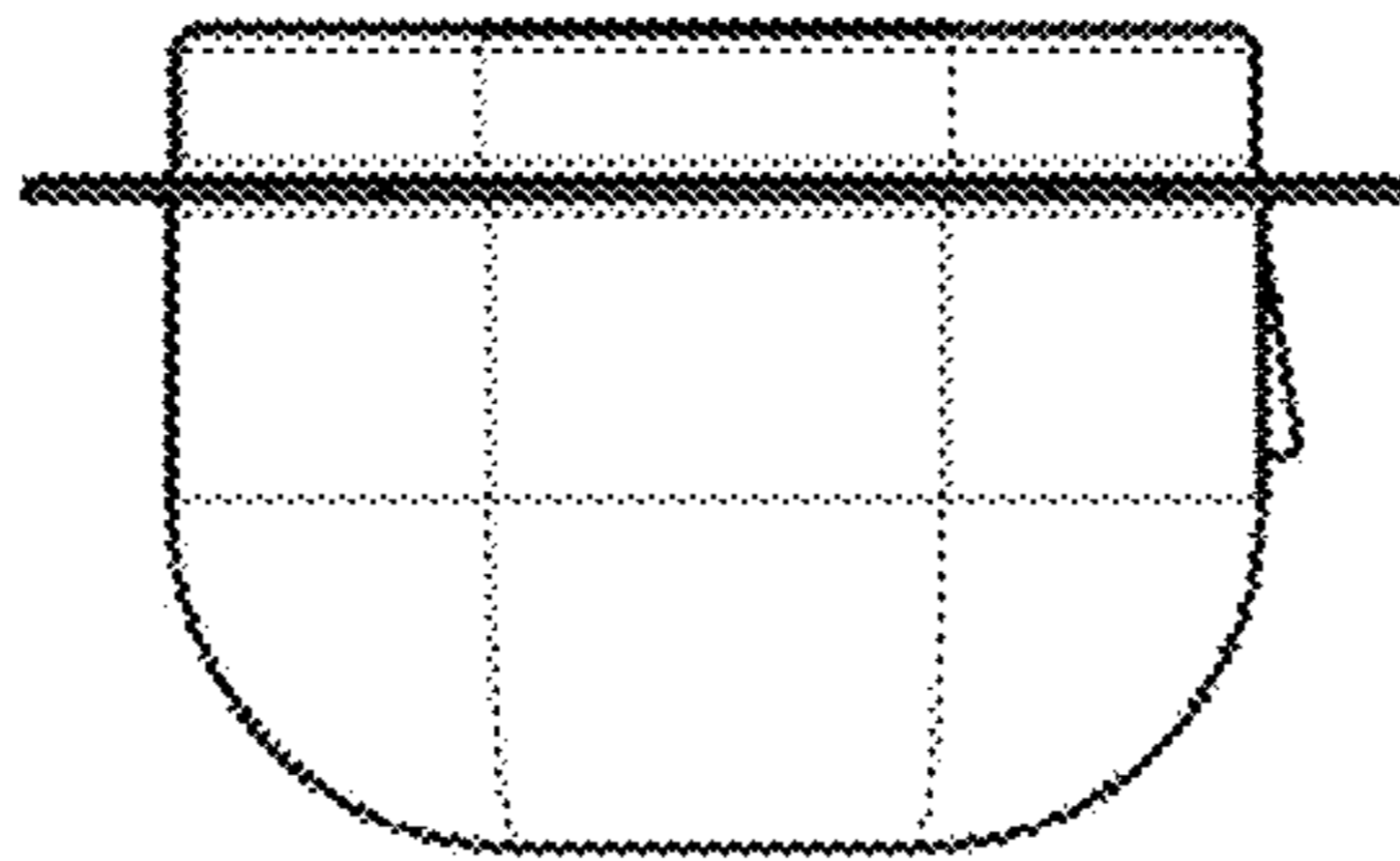
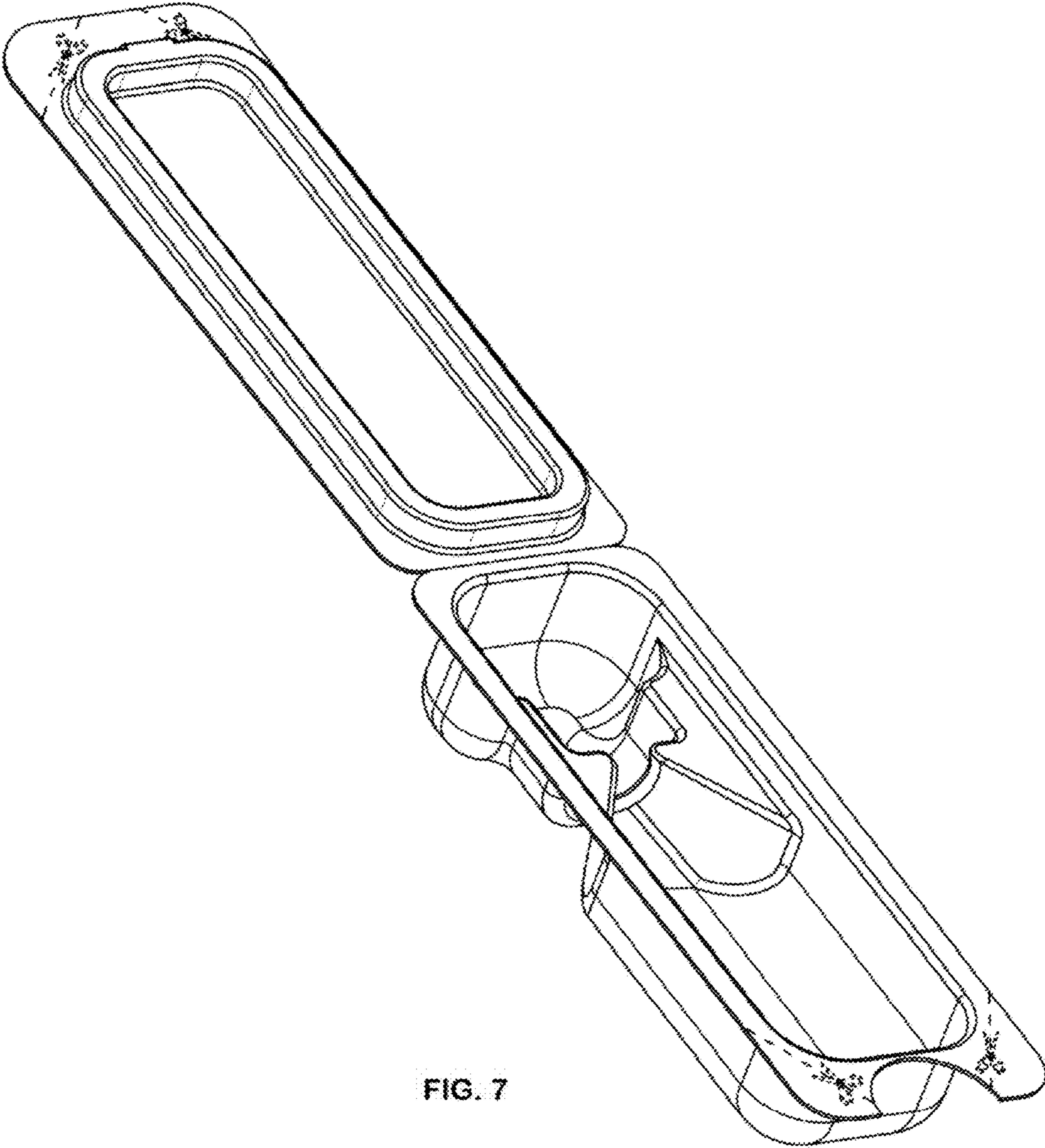


FIG. 6





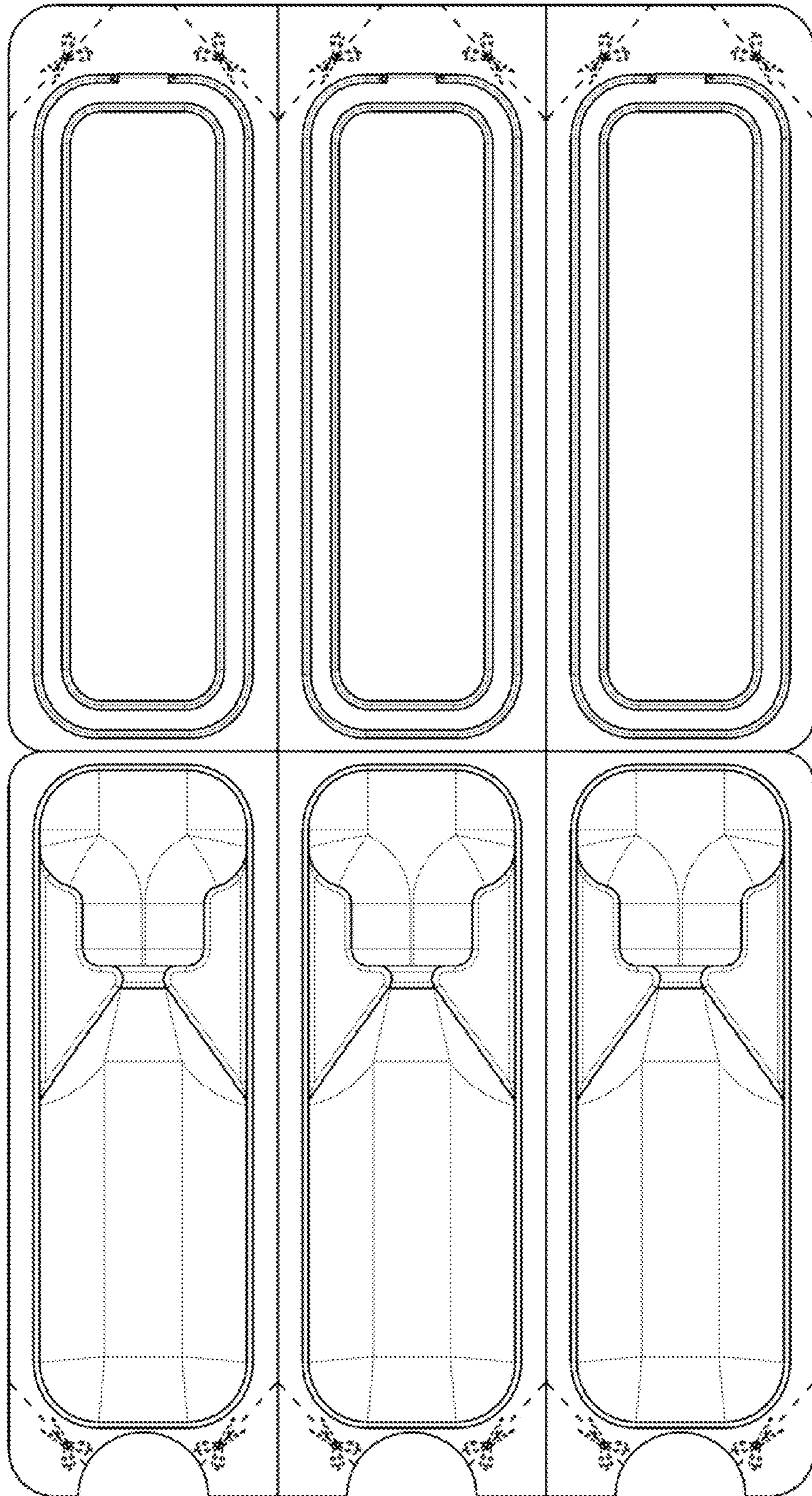


FIG. 8

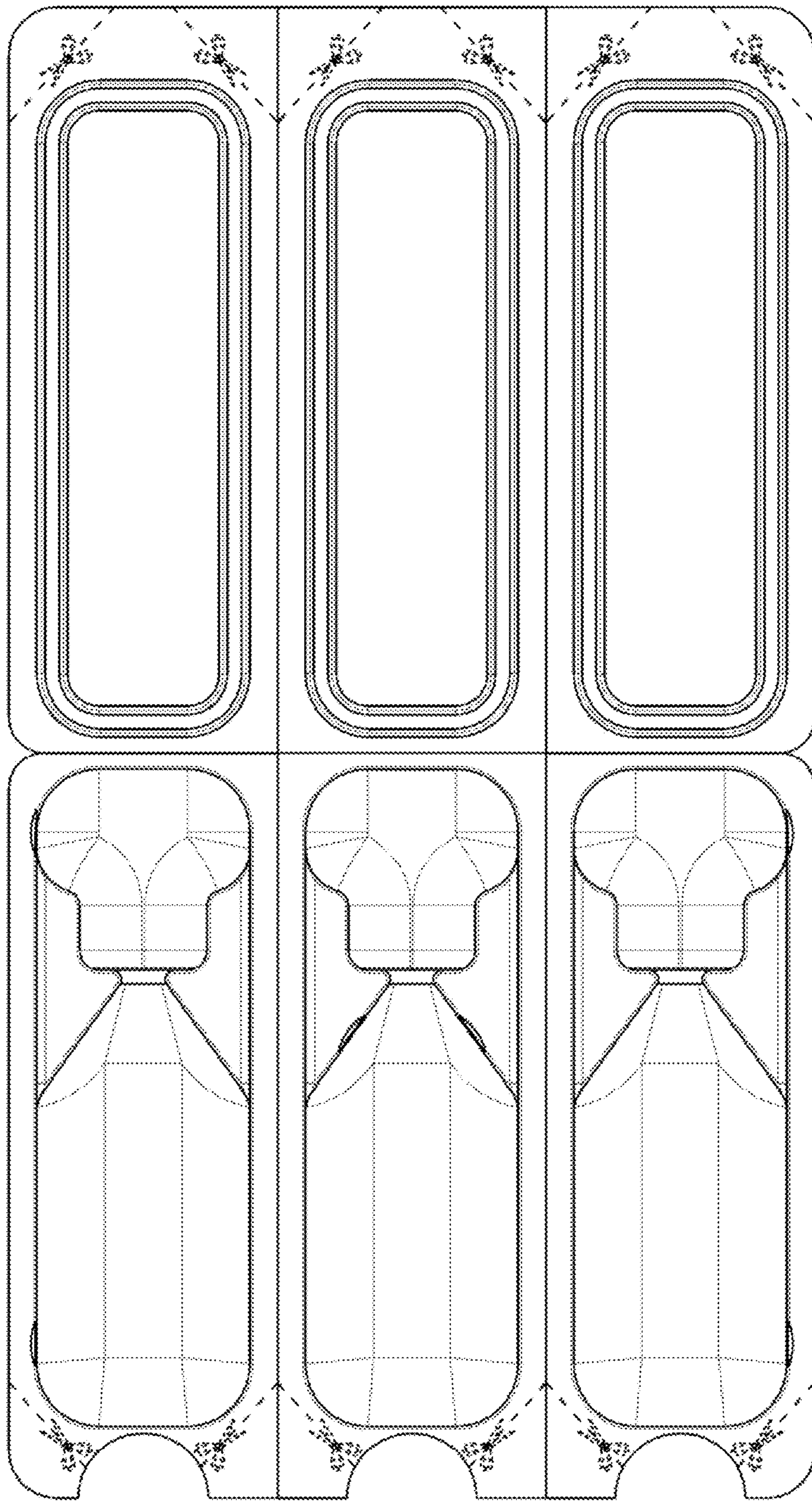


FIG. 9

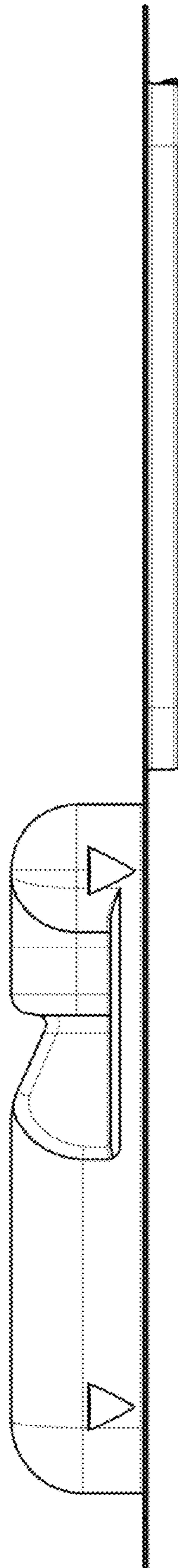


FIG. 10

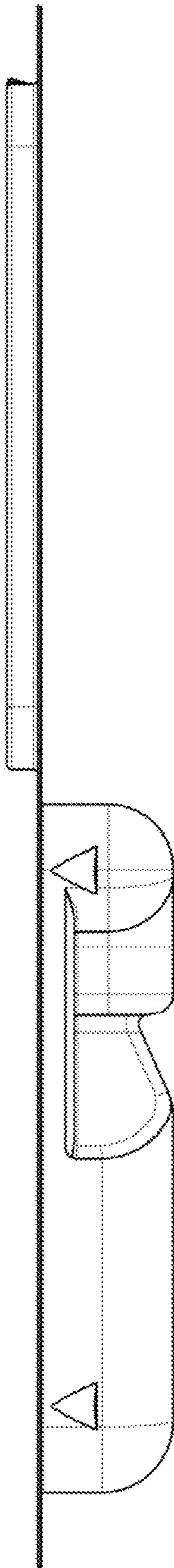


FIG. 11

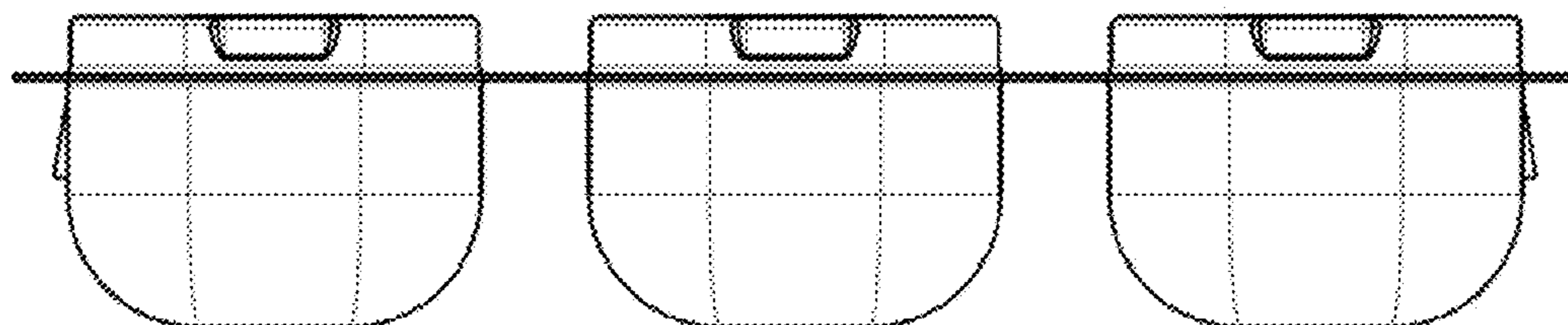


FIG. 12

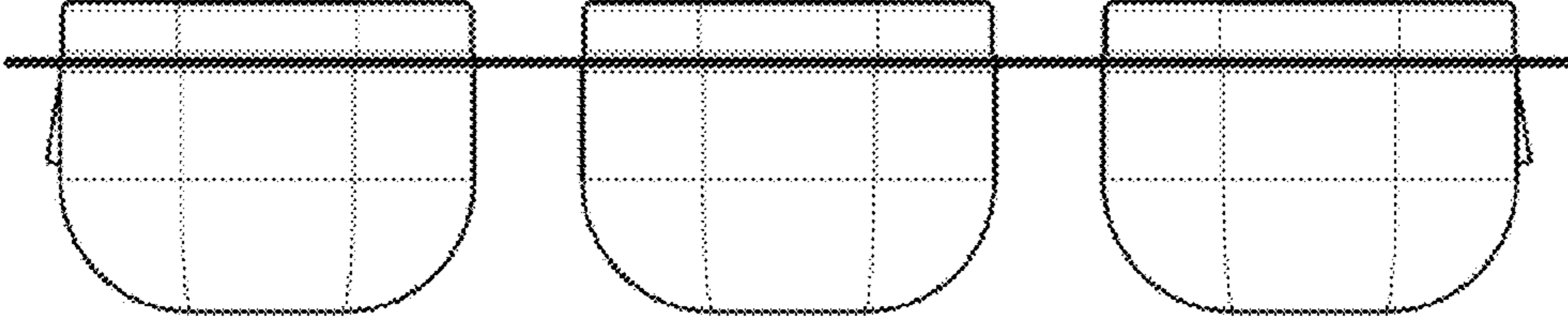


FIG. 13

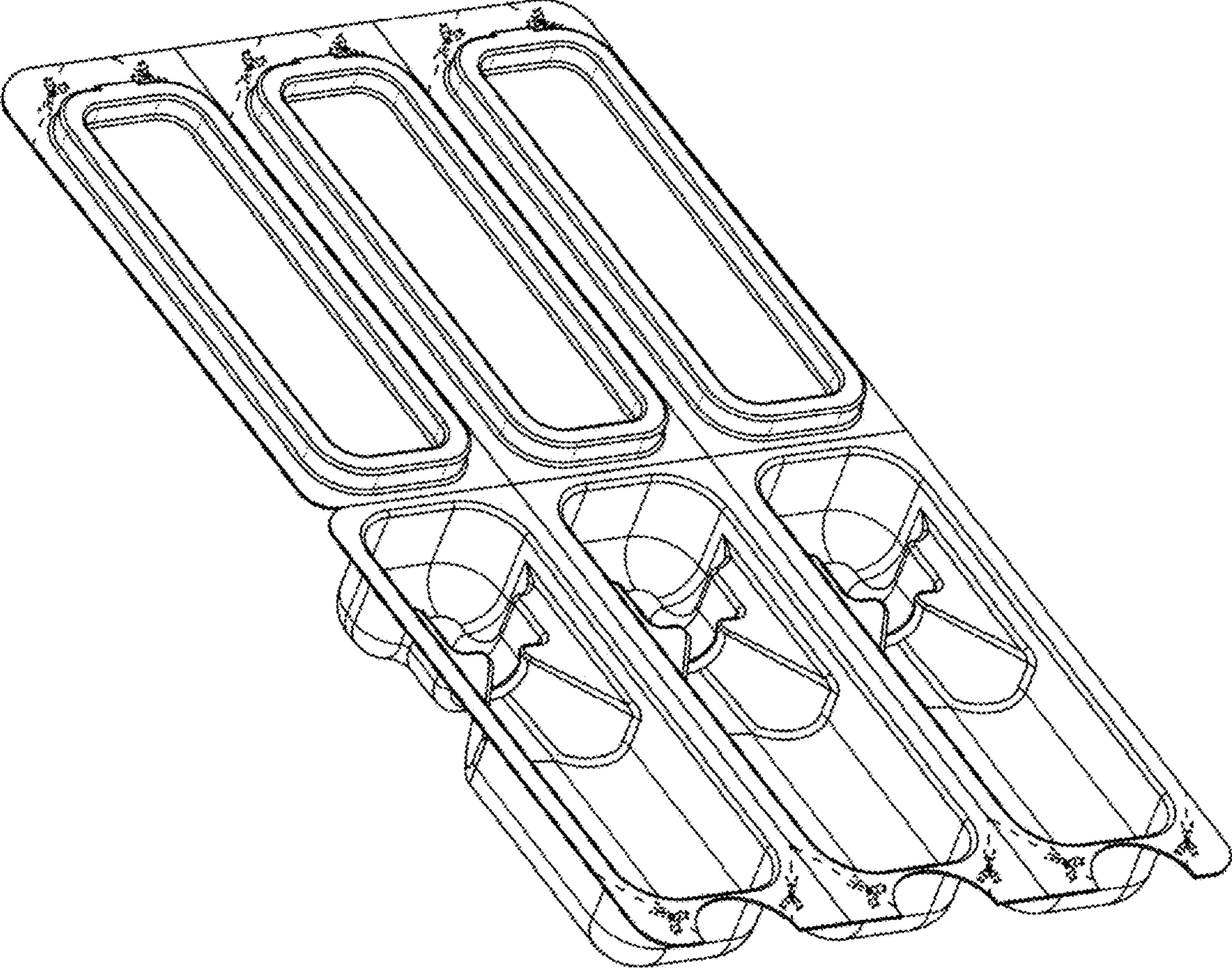


FIG. 14



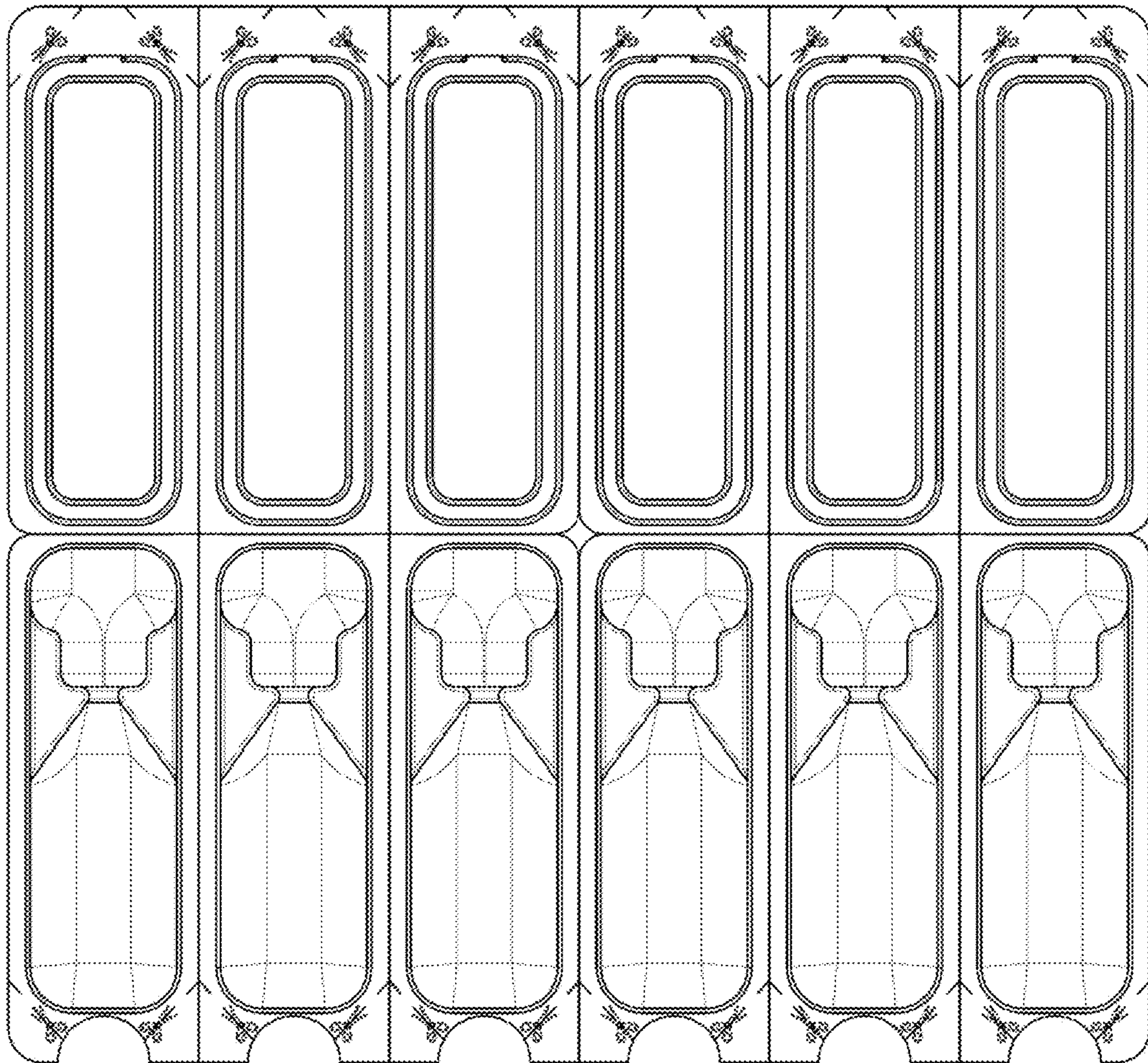


FIG. 15

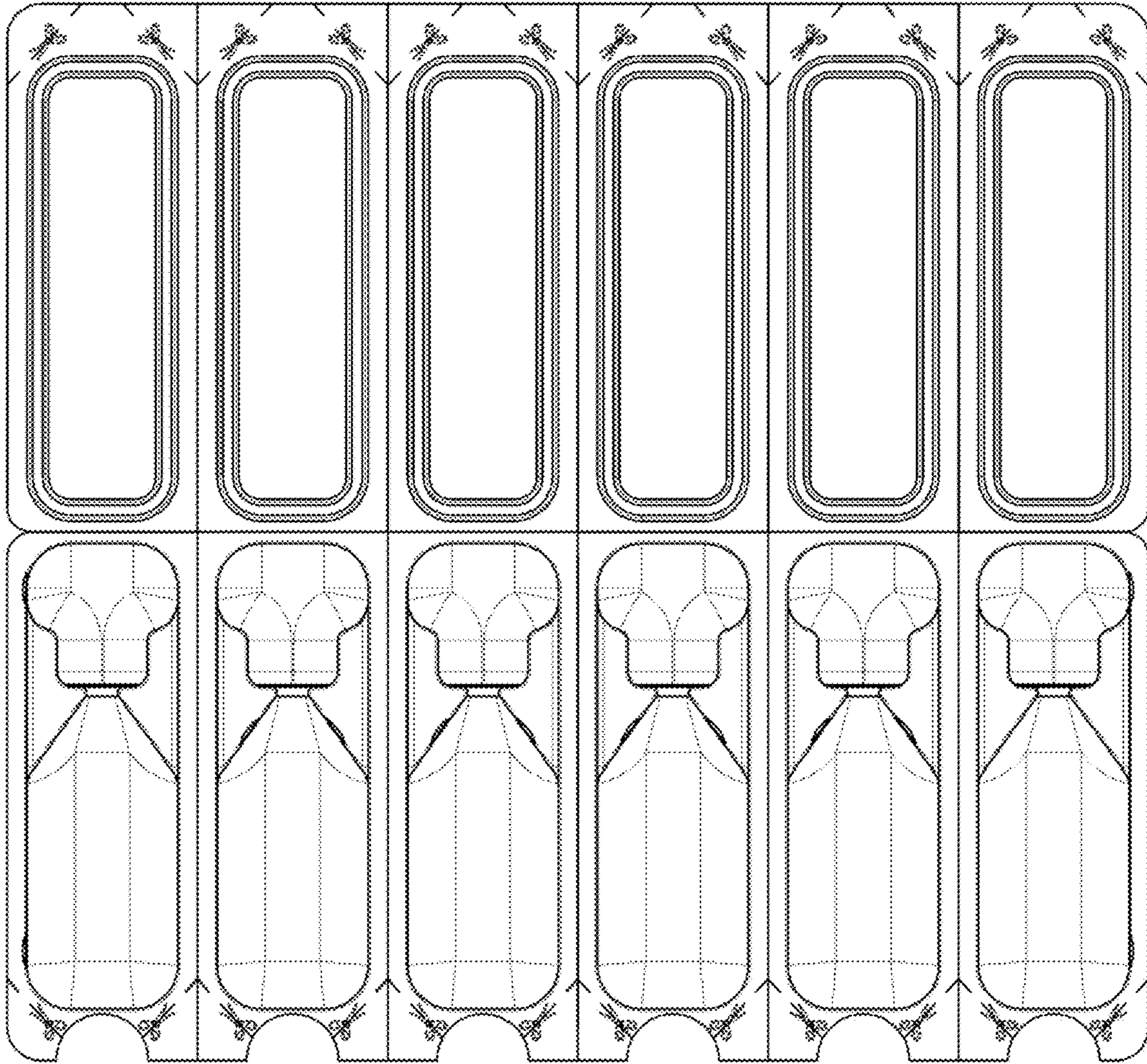


FIG. 16

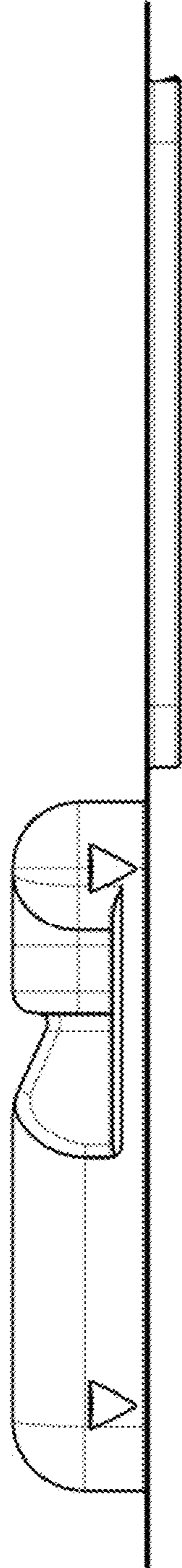


FIG. 17

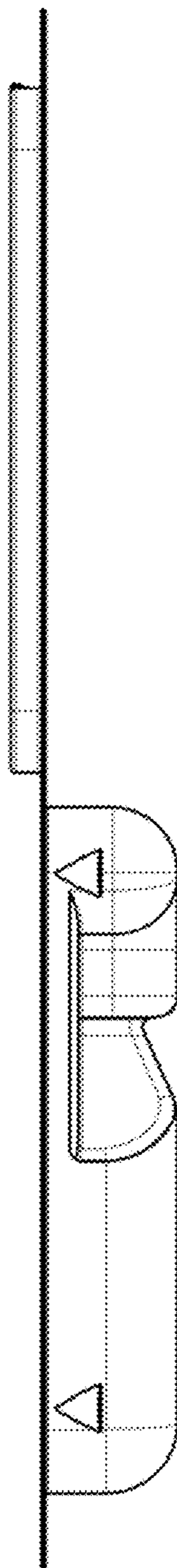


FIG. 18

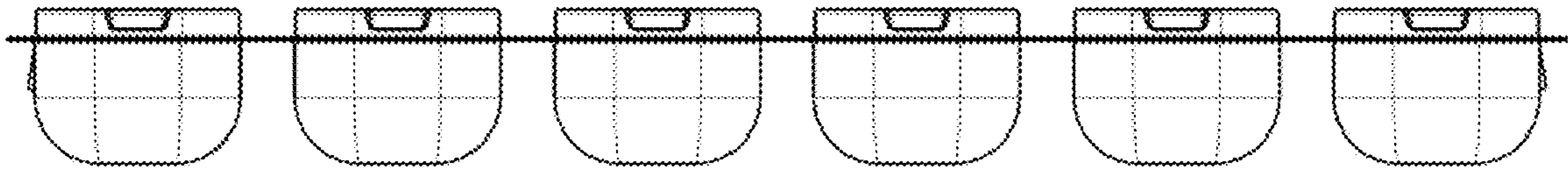


FIG. 19

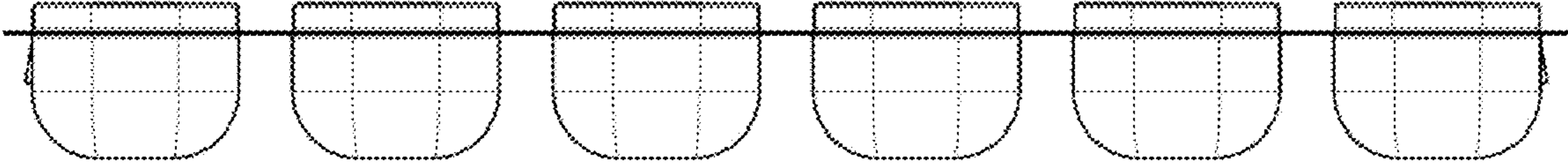


FIG. 20

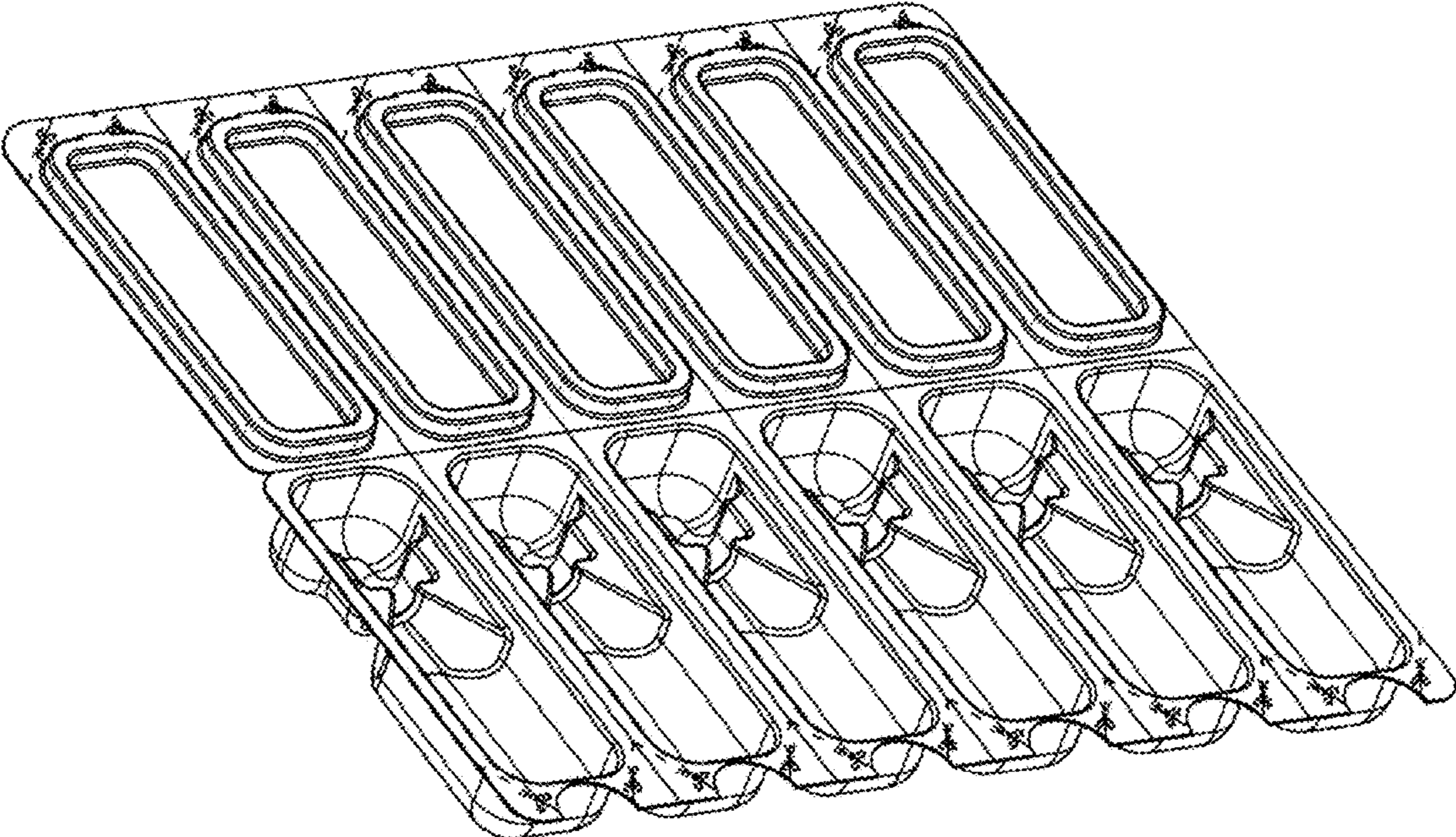


FIG. 21