



US00D739550S

(12) **United States Design Patent**
Eckstein et al.

(10) **Patent No.:** **US D739,550 S**

(45) **Date of Patent:** **** Sep. 22, 2015**

(54) **MIXING TIP**

(71) Applicant: **3M INNOVATIVE PROPERTIES COMPANY**, St. Paul, MN (US)

(72) Inventors: **Stefan Eckstein**, München (DE);
Andreas Boehm, Reichling (DE); **Marc Peuker**, Schöndorf (DE)

(73) Assignee: **3M Innovative Properties Company**, St. Paul, MN (US)

(**) Term: **14 Years**

(21) Appl. No.: **29/486,602**

(22) Filed: **Apr. 1, 2014**

(30) **Foreign Application Priority Data**

Oct. 3, 2013 (EP) 1385975

(51) **LOC (10) Cl.** **24-00**

(52) **U.S. Cl.**
USPC **D24/220**

(58) **Field of Classification Search**
USPC D24/220, 164, 156; 222/136, 137;
366/307; 433/90

CPC B65D 83/682; B05C 17/00553; B01F
7/1675; A61C 5/062

See application file for complete search history.

(56) **References Cited**

U.S. PATENT DOCUMENTS

3,739,947	A *	6/1973	Baumann et al.	222/136
D287,877	S	1/1987	Holewinski		
4,941,752	A *	7/1990	Yant et al.	366/307
5,324,273	A	6/1994	Discko, Jr.		
5,392,904	A *	2/1995	Frick et al.	206/219
D419,236	S	1/2000	Carlson		
D421,121	S	2/2000	Prasad		
D472,323	S *	3/2003	Sand	D24/220

6,884,071	B2 *	4/2005	Martin	433/90
7,562,792	B2 *	7/2009	Nisbet	222/137
D645,958	S	9/2011	Assmann		
D672,873	S *	12/2012	An	D24/156
D681,808	S	5/2013	Holaschke		
D690,813	S *	10/2013	Bizzell et al.	D24/162
D693,940	S *	11/2013	Walter et al.	D24/220
D696,787	S *	12/2013	Walter et al.	D24/220
D698,918	S	2/2014	Leiner		
2010/0240004	A1 *	9/2010	Zalsman	433/90
2011/0056985	A1 *	3/2011	Bublewitz et al.	222/137
2013/0101955	A1 *	4/2013	Broyles et al.	433/90
2013/0260335	A1 *	10/2013	Peuker et al.	433/90

OTHER PUBLICATIONS

Tetric EvoCeram & Tetric EvoFlow®, Ivoclar Vivodent, Oct. 29, 2013, 10 pages.

Tetric EvoCeram® Bulk Fill, Nano-Hybrid Composite with Ivocerin, Ivoclar Vivodent©, 2013, 6 pages.

* cited by examiner

Primary Examiner — Holly Baynham

Assistant Examiner — Rhea Shields

(57) **CLAIM**

The ornamental design for a mixing tip, as shown and described.

DESCRIPTION

FIG. 1 is a perspective view showing the new design for a mixing tip;

FIG. 2 is a right side view thereof;

FIG. 3 is a top view thereof;

FIG. 4 is a bottom view thereof;

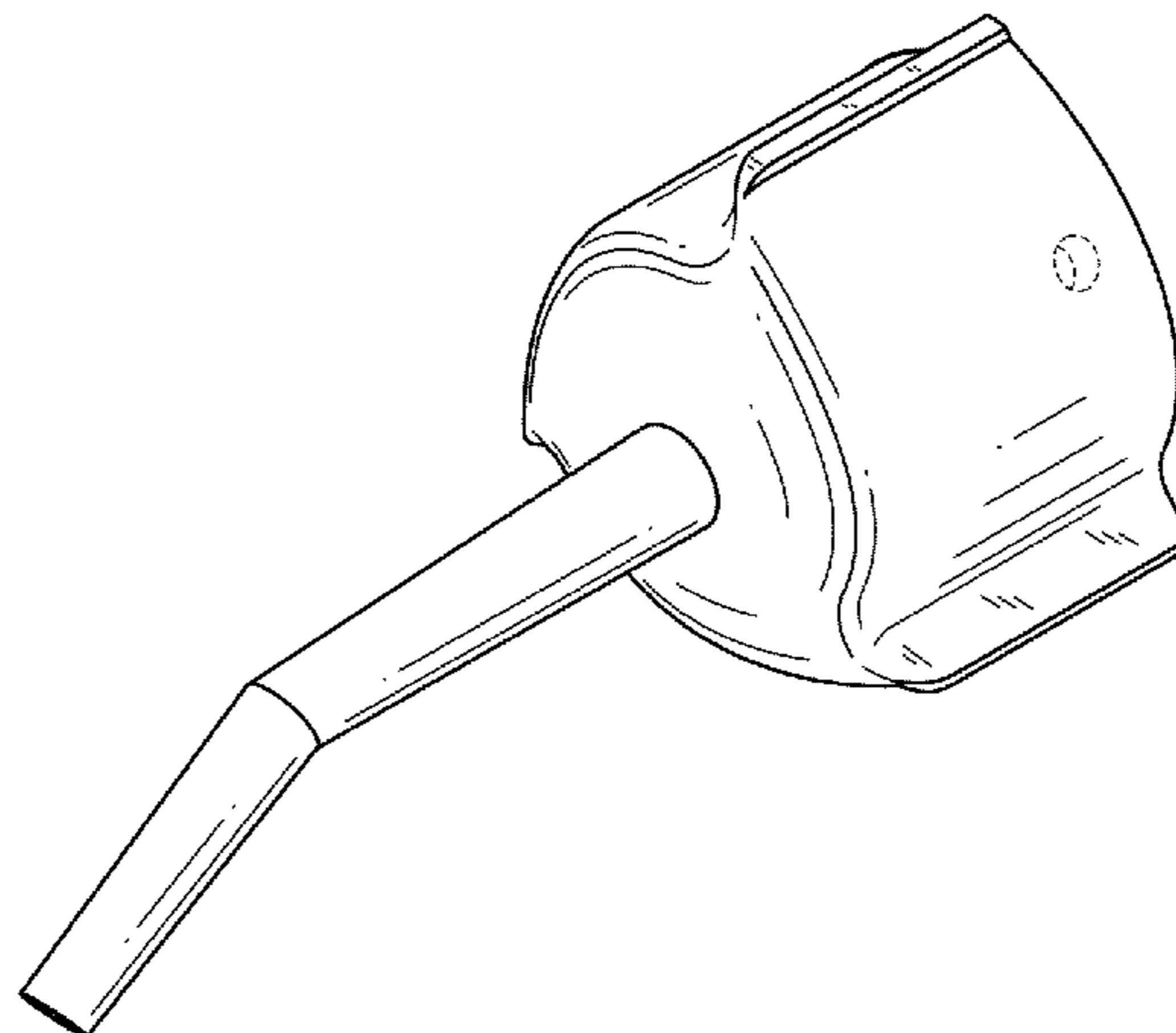
FIG. 5 is a left side view thereof;

FIG. 6 is a front view thereof; and,

FIG. 7 is a back view thereof.

In the drawings, the broken lines are for the purpose of illustrating environment only and form no part of the claimed design.

1 Claim, 2 Drawing Sheets



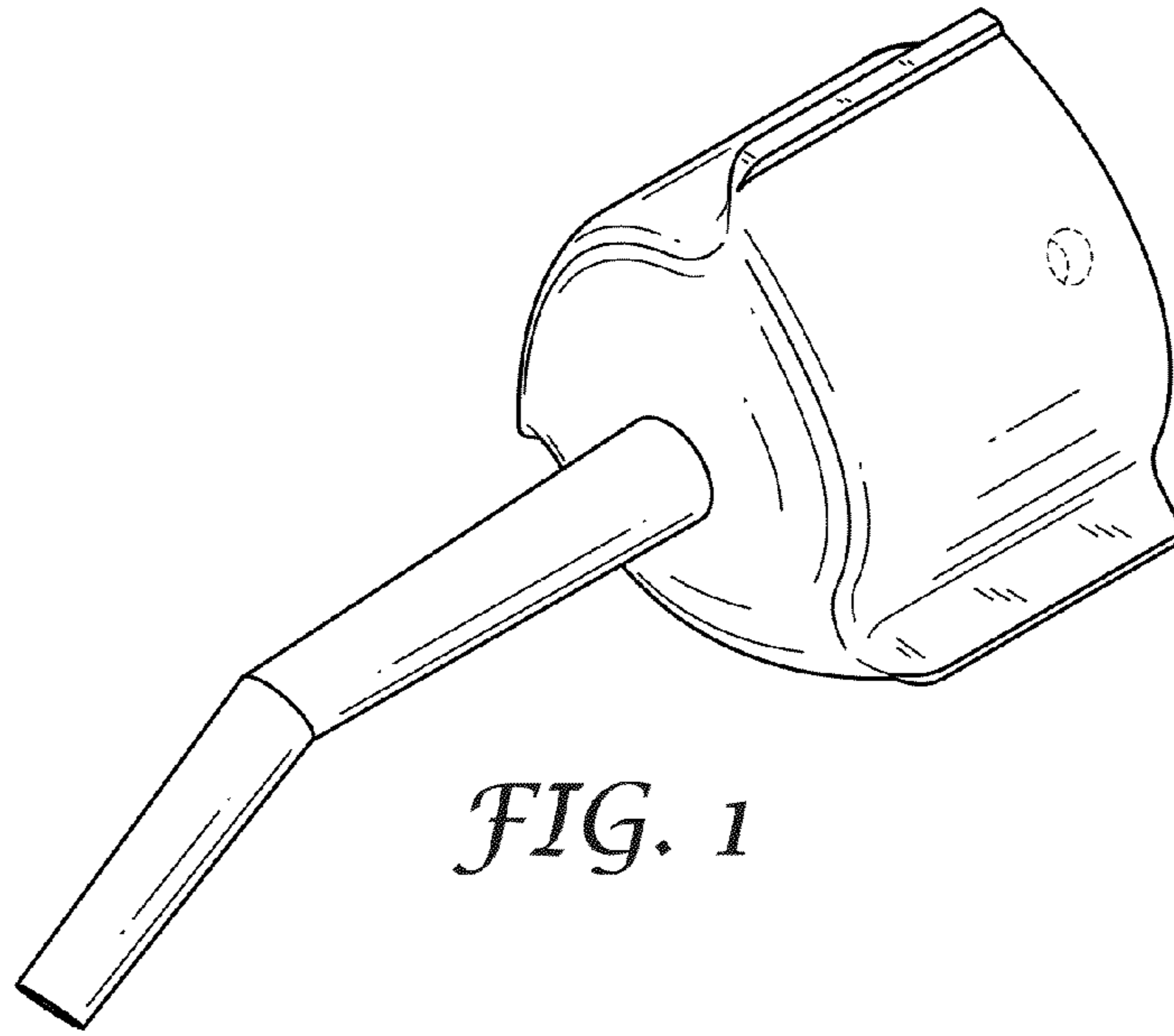


FIG. 1

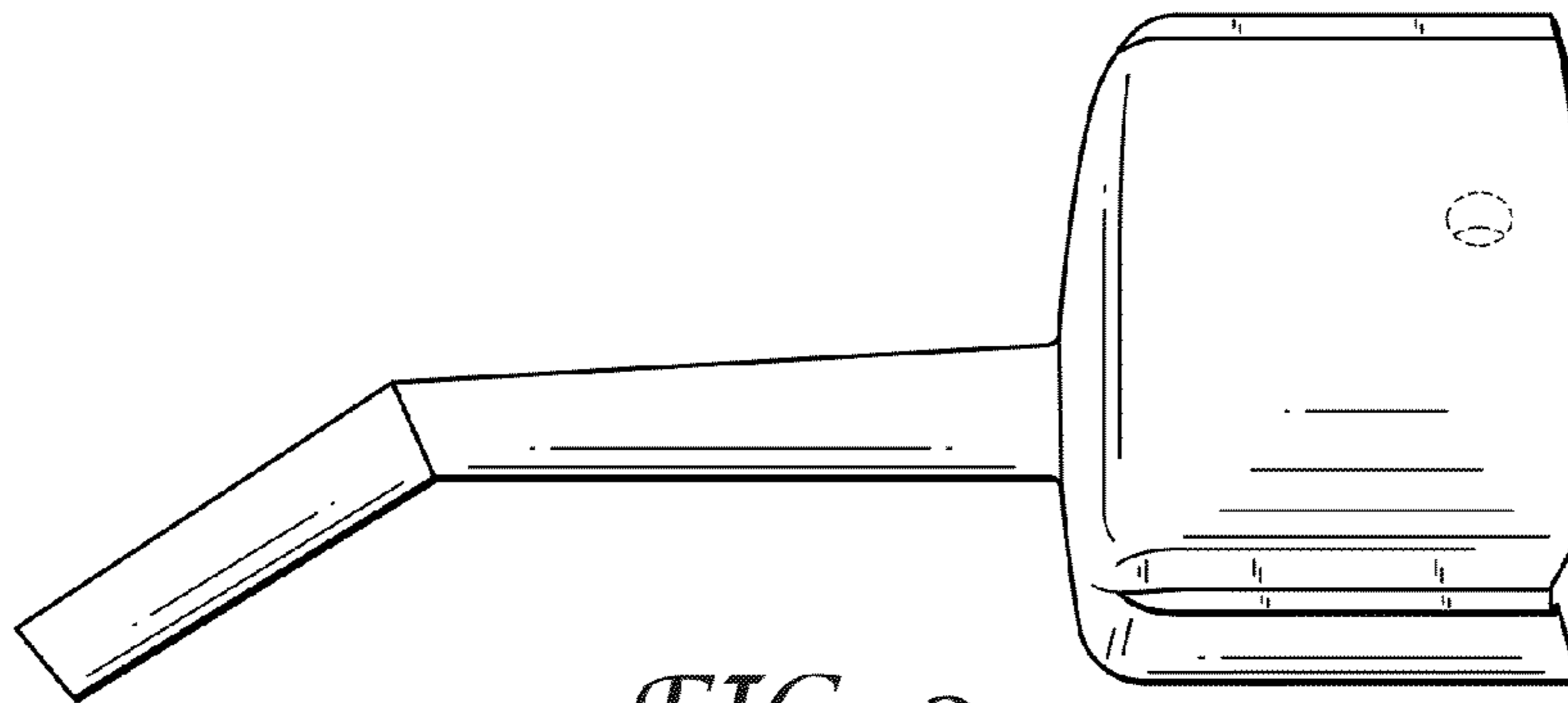


FIG. 2

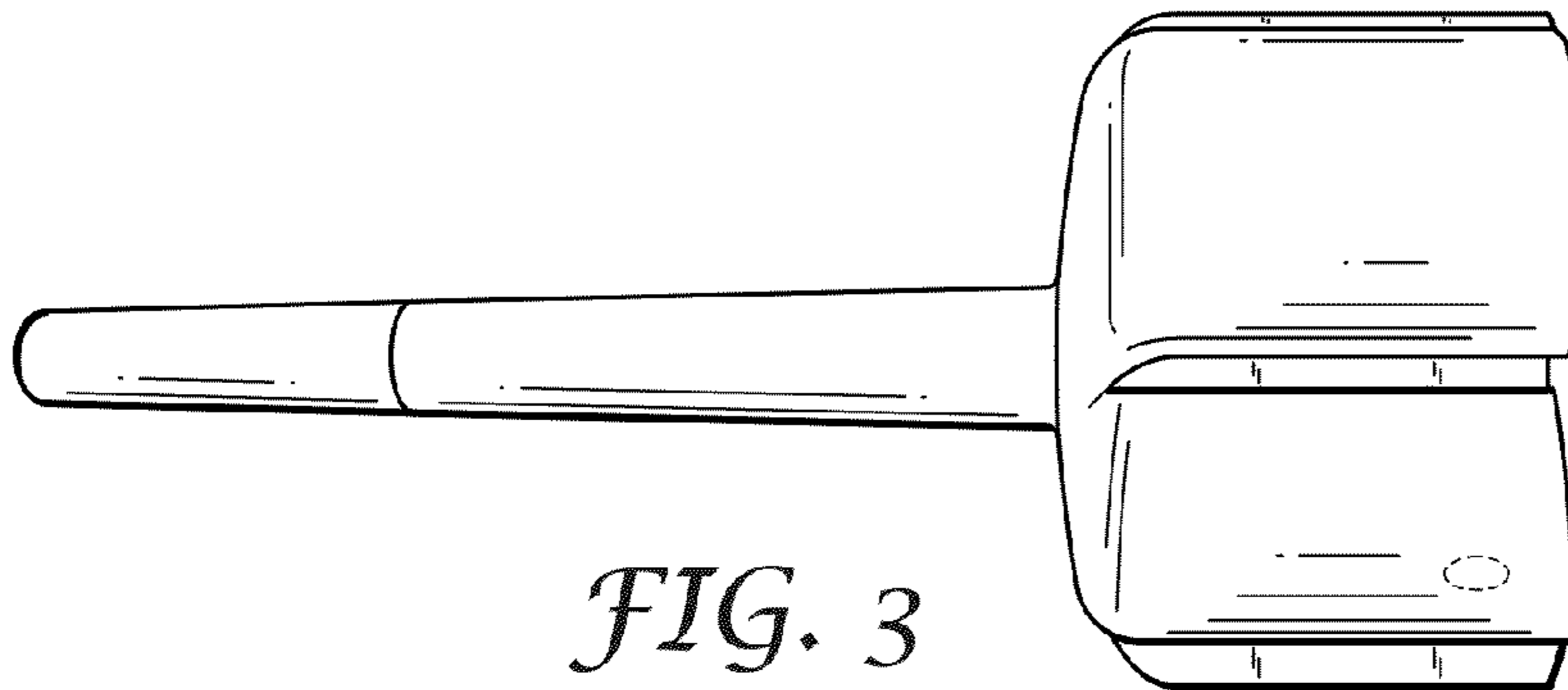


FIG. 3

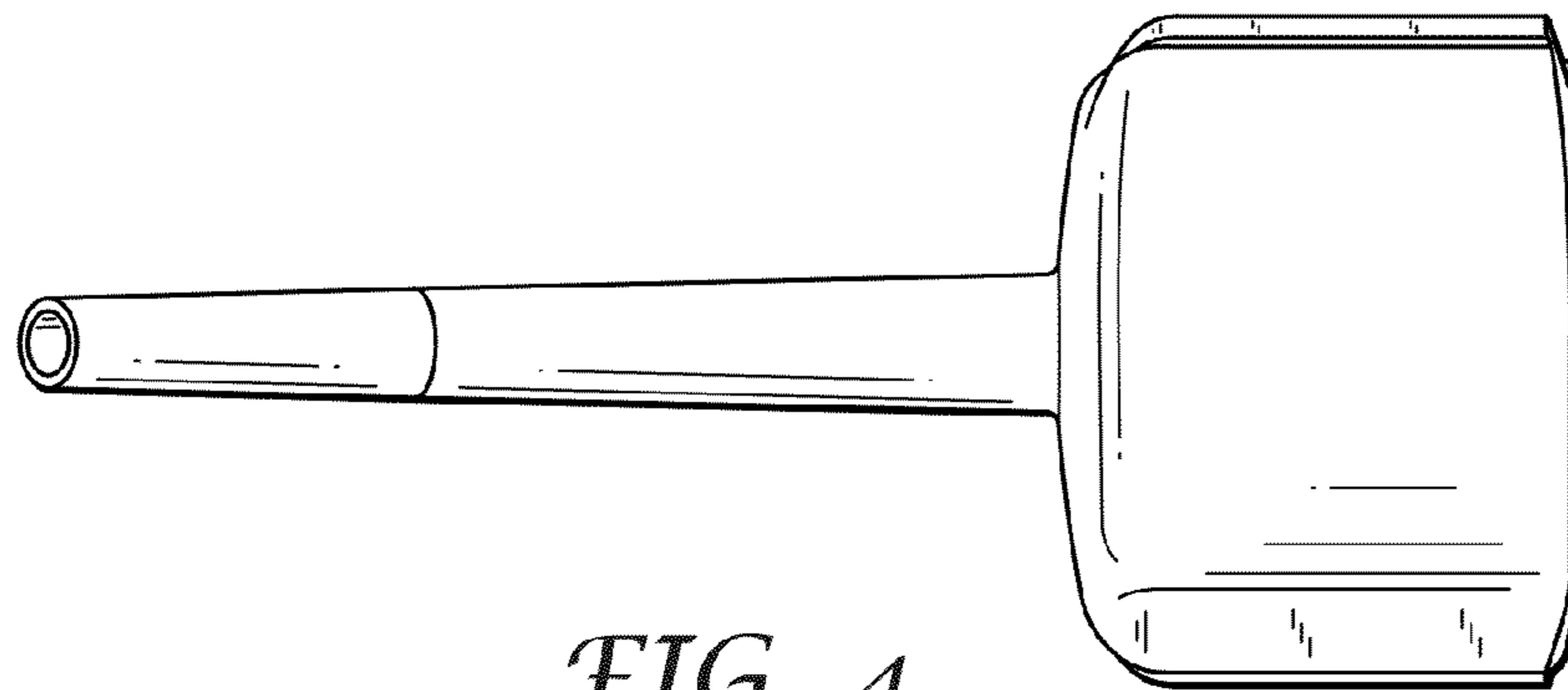


FIG. 4

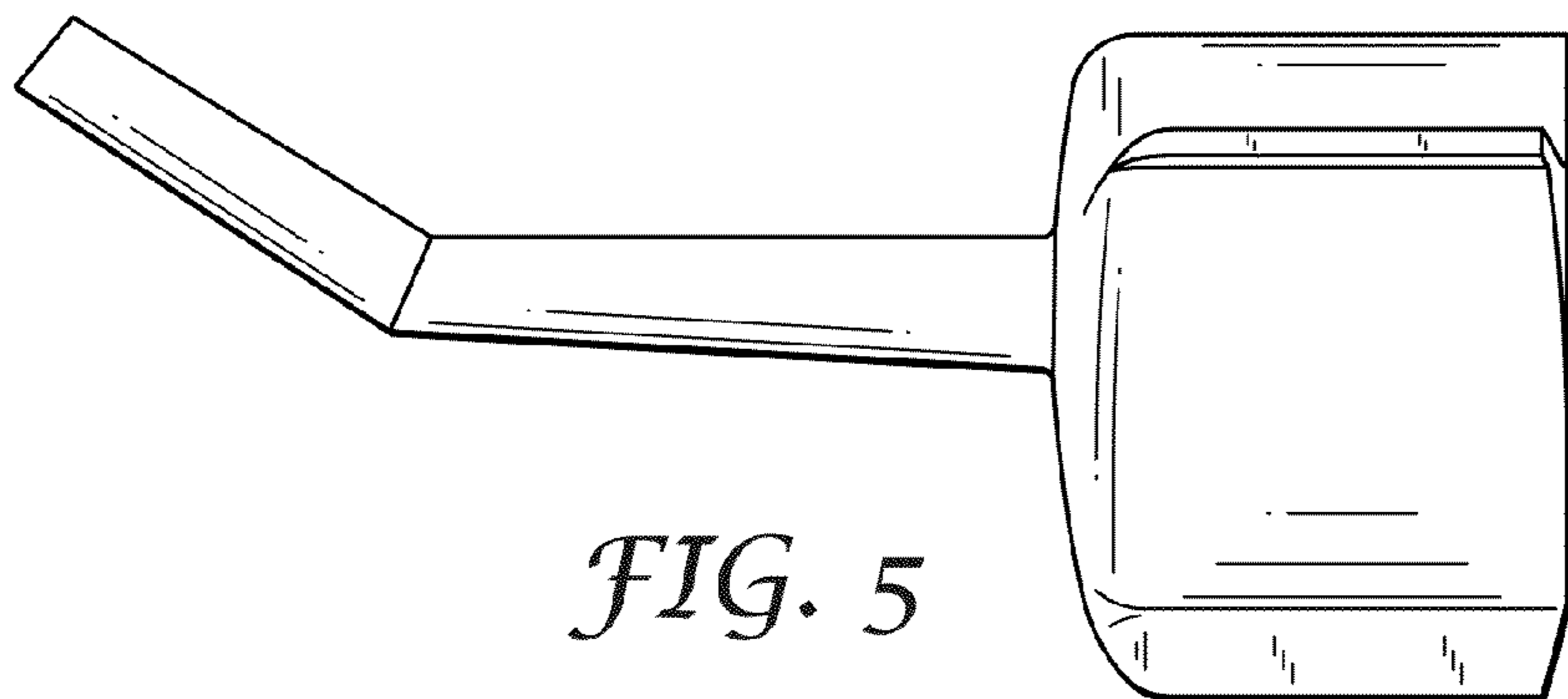


FIG. 5

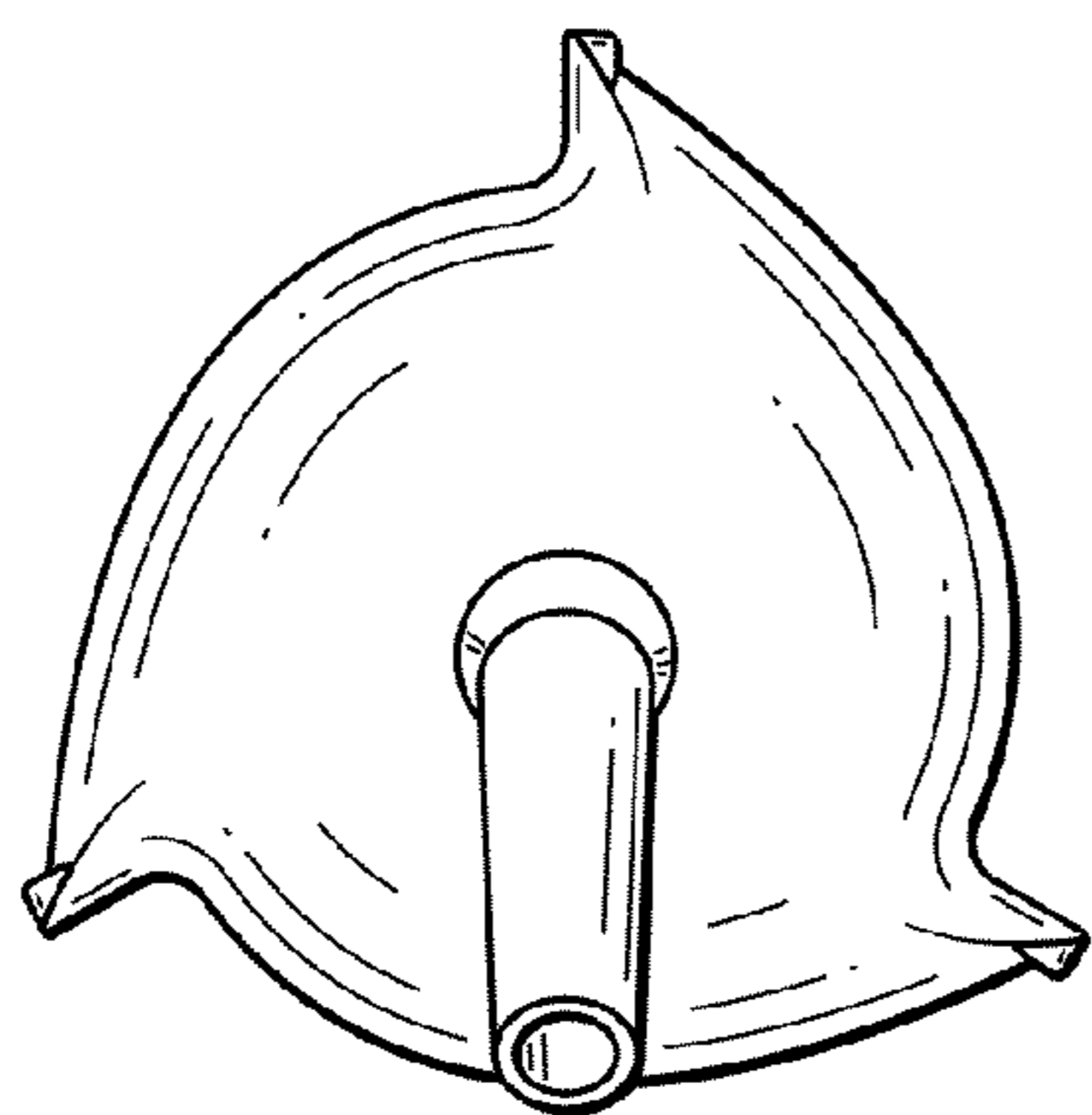


FIG. 6

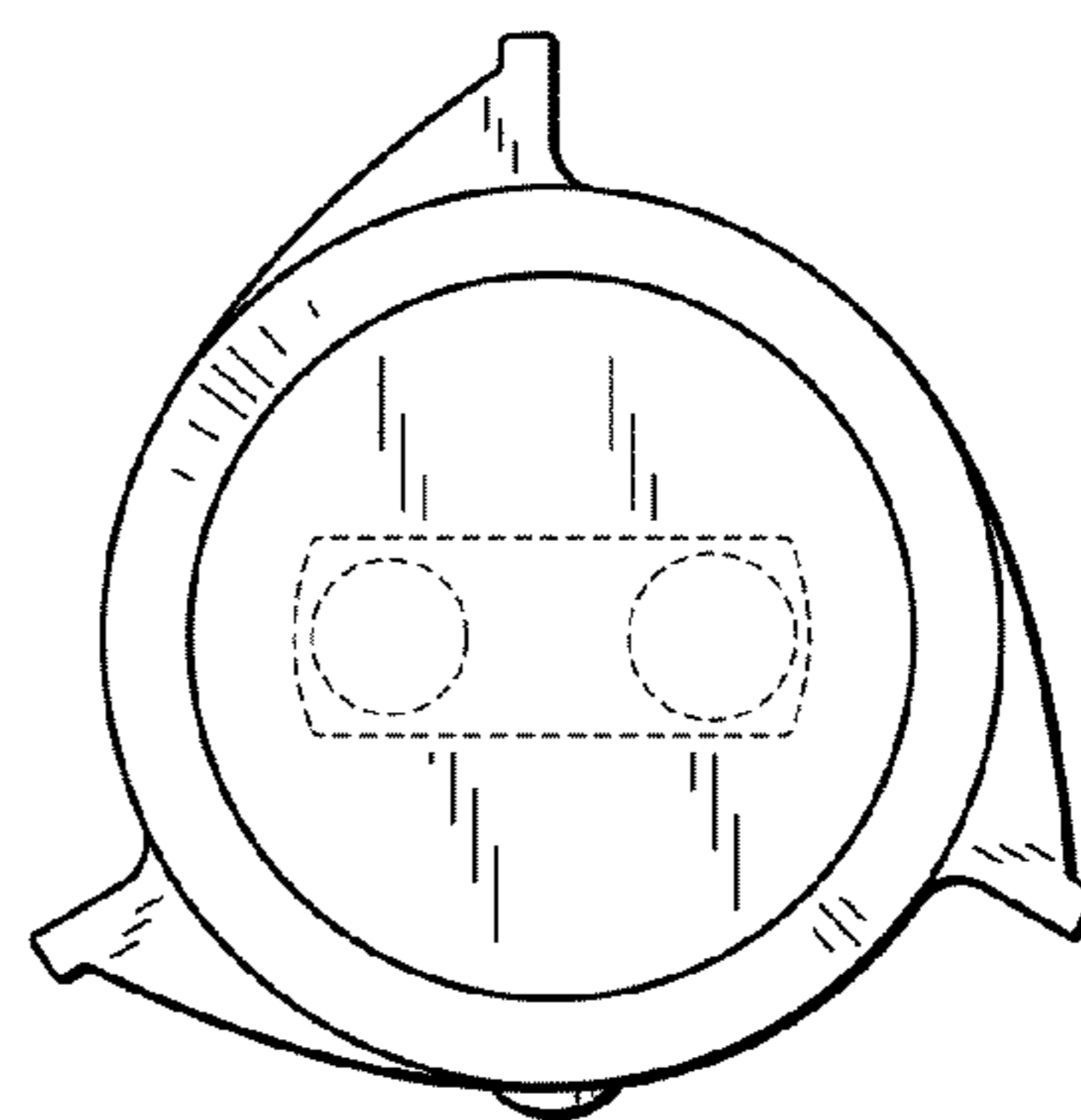


FIG. 7